

# Incline 3

Model # MTCS-771

41.375" x 14.375" x 5.5"

Bowl Size: 40" x 13"

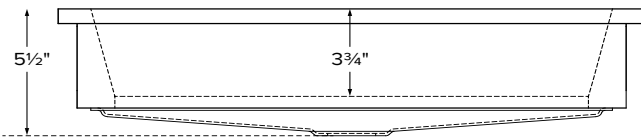
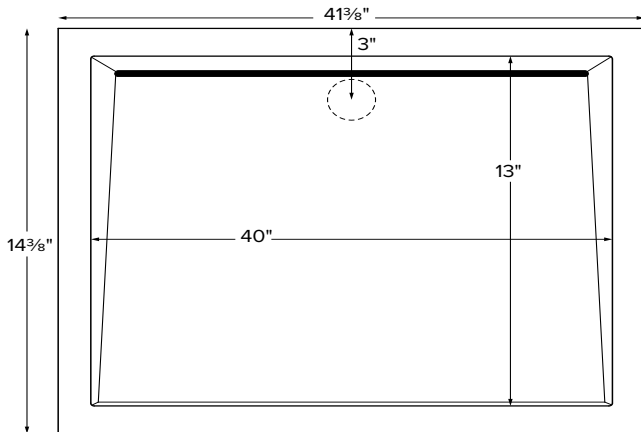
**Material** SculptureStone®

**Installation** undermount only

**Shipping Weight** 50 lbs.



The Incline is an undermount only sink with a slotted drain at the rear of the bowl.



Due to its handcrafted nature, always measure sink on-site to ensure cut-out accuracy when undermounting.

### Sink Options and Pricing

**Part #:** MTCS771 **\$2,075**

**Packaging / Handling Fee Applies**

**Standard Color** White, matte finish

**Biscuit Color Upgrade** (SSBISNK) **\$125** matte finish

Additional material colors available for projects only. Please call MTI.

**Hand-Polished Deep Gloss Finish Upcharge** (SSGLOSSSNK3) **\$750**

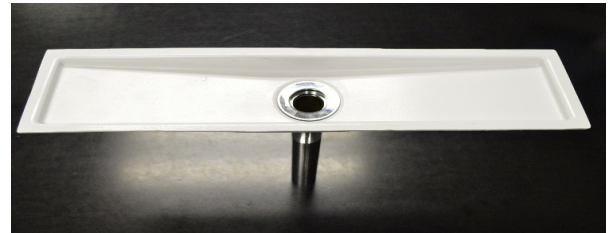
For White or Biscuit

**Quick Ship** (QSPRI3) **\$255** reduces lead time

Please call for availability.

### Options and Accessories

**Drain Kit** included with sink with ABS drain trough and chrome finish brass tailpiece.



Drain assembly included with sink.

### CONSTRUCTION AND STANDARD FEATURES

- Rear slotted drain design. Sink includes ABS drain trough with tailpiece.
- No overflow available. Check local codes.
- Undermount only. Measure on site to achieve the proper cut-out size.
- Lip detail will accommodate commonly used undermount hardware. Undermount hardware is not included.
- One-piece construction using Engineered SculptureStone® (ESS) material.
- This material is non-porous, stain-, mold- and mildew-resistant.
- Approximately 70% of the material is organic, including minerals mined from the earth, making it "Green".
- Five-Year Limited Residential Warranty.



Also available, Incline Counter-Sink 3, featuring custom-size countertop with integrated bowl. Offered in single and double bowl configurations..

• Before discarding packaging, check for accessories that may be inside.  
 • All product measurements are ±1/2".  
 • Specifications and configurations are subject to change without notice.  
 • Measurements herein supersede all others published prior to publication date below.

