

MBRX6048E21

59.5" x 47.5" x 21.25"

Installation: Drop-In

Material: Acrylic

Plumbed Weight: 125 lbs / 57 kg

Soaker Weight: 100 lbs / 45 kg

Average Fill: 39 gal to above jet level

Maximum Fill: 77 gal to overflow



| Package | Package Content | Part # |
|-----------|---|---------------------|
| Soaker | Soaking bath - No jets. Includes textured bottom. | MBSRX6048E21 |
| Air Bath | 12 air jets, heated air blower, pre-leveled foam base and textured bottom. Pre-leveled foam base increases overall tub height 2"-3" | MBARX6048E21 |
| Whirlpool | 6 point-massage jets, 1-bhp pump and textured bottom | MBWRX6048E21 |

Options Must be ordered at time of purchase.

Standard White (no charge)
Color Upgrade: Biscuit (MTISCOLOR)

Quick Ship / Priority
 Soaker & Whirlpool (QSHIPMTIS)
 Airbath (QSHIPMTISA)

Inline Heater
 For Whirlpool (HTRMTIS) uses existing pump
 For Soaker & Air Bath (MBHTISOAK) heater with recirculating pump

Accessories.

Lift and Turn Drain & Overflow
 Chrome (MBWOC), White (MBWOW),
 Brushed Nickel (MBWOBN)

Pillows
 Soft Pillow
 White (MBPSW) Black (MBPSB)
 Roll-Up Pillow
 Light Aqua (MBPRUC) Black (MBRUB)

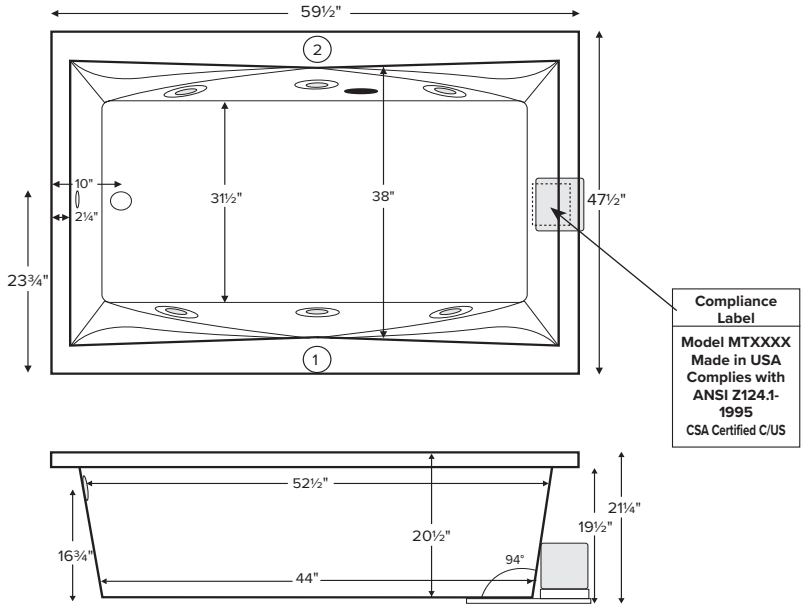
Installation Options. Must be ordered at time of purchase.

Tile Flange
 Factory-Installed rigid ABS
 3 sides (MBTFK3), 2 sides (MBTFK2),
 1 side (MBTFK1)
 Must specify flange location(s) on order.

Pre-Leveled Foam Base
 5' Tubs (MBPLFOAM)
 5.5' & 6' Tubs (MBPLFOAM2)
 All airbaths include a pre-leveled foam base.

Pre-Leveled Frame and Foam Base with Skirting
 Raised Fixed Panel
 5' Tubs (MBFSKAO5), 5.5' Tubs (MBFSKAO55),
 6' Tubs (MBFSKAO6)
 Raised Removable Panels
 5' Tubs (MBFSKAR5), 5.5' Tubs (MBFSKAR55),
 6' Tubs (MBFSKAR6)

Shown with Whirlpool Package



Important Ordering and Installation Information

- Before ordering or installing, consider access to equipment.
- Always measure tub on-site before building tub deck.
- Use proper bedding compound to fully level and support the tub.
- Tubs equipped with an air system or factory installed pre-leveled foam base are designed to install directly onto a flat level subfloor.
- Tub height is increased up to 3" when equipped with factory-installed foam base.
- Location of all therapy components is predetermined and cannot be changed.
- Options listed cannot be combined with Designer Collection options.

• Before discarding tub crate, check for accessories that may be packaged inside.
 • All product measurements are ±1/2".
 • Specifications and configurations are subject to change without notice.
 • Measurements herein supersede all others published prior to publication date below.
 CSA # MTIS-

| Hydrotherapy Package | Components Included | GFCI / 110V |
|---------------------------------------|--|-------------|
| Soaker with Optional Inline Heater | ½-bhp pump, inline heater | 1-15 amp |
| Whirlpool or Air Bath | 1-bhp pump | 1-15 amp |
| Whirlpool with Optional Inline Heater | 1-bhp pump, inline heater | 1-20 amp |
| Air Bath with Optional Inline Heater | heated blower, ½-bhp pump, inline heater | 2-15 amp |

CSA Certified C/US; ANSI Z124.1 and ANSI 112.19.7

NOTE: Filling this tub to the maximum may require an above average size or dedicated water heater.

