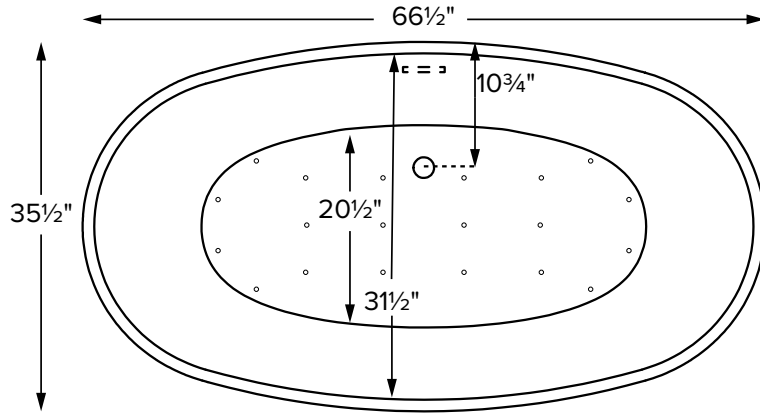


Loretta 2

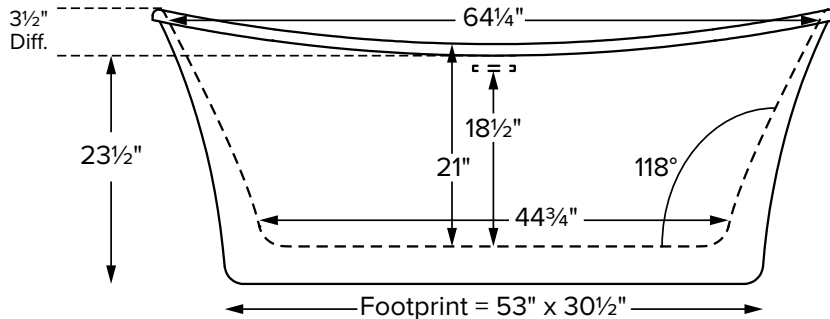
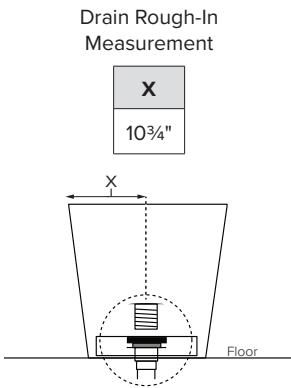


Features an integrated slotted overflow

MODEL 264	
66.5" x 35.5" x 23.5"	
FREESTANDING 90 gal to overflow	
Acrylic CXL™	DoloMatte™
112 lbs / 51 kg	<SOAKER> 126 lbs / 57 kg
Filling this tub to the maximum may require an above average size or dedicated water heater.	



Shown with Air Massage Package.



ELECTRICAL COMPONENTS & SPECIFICATIONS

Hydrotherapy Package	Components Included	110V GFCI
Air Massage	heated blower	1-15 amp
Air Massage Elite	heated blower, chromatherapy	1-15 amp

Electrical requirements may change with the addition of optional therapy components.
See specific option details or installation information.
CSA Certified C/US; ANSI Z124.1 and ANSI 112.19.7

IMPORTANT ORDERING & INSTALLATION INFORMATION:

- Before ordering or installing, please consider future access to equipment.
- Comes equipped with an access panel on the drain side for installation of toe tap drain.
- Air baths require job site preparations for remote mounting the blower and required check valve. Check valve must be installed higher than the rim of the tub.
- Hydrotherapy equipment may ship loose for remote installation depending on tub model. See package content on the following page for details.
- Radiance placed on floor locations will affect placement of air jets.
- Faucet valves cannot be installed on this tub model.
- All tubs are in accordance with CSA B45.5/IAPMO Z124 standard and compliant with ASTM C 1028-07 coefficient of friction. Dolomatte meets ANSI A137.1/A326.3 coefficient of friction and AS HB198:2014 pendulum slip resistance testing.

• Before discarding tub crate, check for accessories that may be packaged inside.
• All product measurements are ±1/2".
• Specifications and configurations are subject to change without notice.
• Measurements herein supersede all others published prior to publication date below.

See the Installation & Operation Manual for more details.
MTI's Customer Service: Monday-Friday 8am-6pm EST
800-783-8827 or service@mtibathtubs.com



Loretta 2

MODEL 264

66.5" x 35.5" x 23.5"

Hydrotherapy Packages	Package Contents	Acrylic CXL™		DoloMatte™	
		Part #	MSRP	Part #	MSRP
Soaker	Soaking bath - no jets; includes a pre-leveled foam base and integrated slotted overflow with toe-tap drain kit in chrome.	S264	\$6,120	S264DM	\$6,920
Air Massage	20 air jets, heated air blower, pre-leveled foam base and integrated slotted overflow with toe-tap drain kit in chrome. Blower, control boxes, and keypad must be remote located.	AST264	\$9,770	AST264DM	\$10,570

RECOMMENDED SENSORY THERAPIES

Thermaltherapy

(RAD100) **\$1,595** Radiance®
2 heated zones included

Options *Must be ordered at time of purchase.*

Standard Colors White (CWH) DoloMatte available in matte white only.
Biscuit (CBS) Not available for DoloMatte.
Please call for availability of special colors.

Quick Ship reduces lead time (QSPRI) **\$430**
Please call for availability

Textured, Slip-Resistant Bottom (TXTBTM) **\$105**

Accessories

Pillows from \$180

Teak Bath Mat (TKMAT3018) **\$815**

Custom sizes also available. Contact MTI for details and pricing.

Teak Tub Tray

Slatted (TK-TRAY1) **\$500** Solid (TK-TRAY2) **\$570**

Floor-Mounted High-Flow Tub Filler two designs available

Contemporary Chrome (FILLC) \$1,480 Brushed Nickel (FILLBN) \$1,710	Traditional Chrome (FILLTC) \$1,505 Brushed Nickel (FILLTBN) \$1,745
---	--

Faucet Stand SculptureStone® Standard

Small 3-hole capacity 14¼" w x 21¾" h Matte (STAND) \$725	Large 5-hole capacity 22" w x 21¾" h Matte (STANDL) \$855
--	--

+\$430 gloss finish upcharge (SSGLOSSSNK)

Drains & Overflow Kits *Must be ordered at time of purchase*

Integrated Overflow with Toe Tap

Slotted Overflow

PVC drain - Chrome (SLOTIOC) included

Finish Upcharge

White (SLOTIOWHU) **\$65**

Brushed Nickel (SLOTIOBNU) **\$65**

Polished Nickel (SLOTIOPNU) **\$105**

Brass Tailpiece (WIOBS) **\$85**

May be ordered separately

Quick Connect Drain - (WOQ) **\$460**

