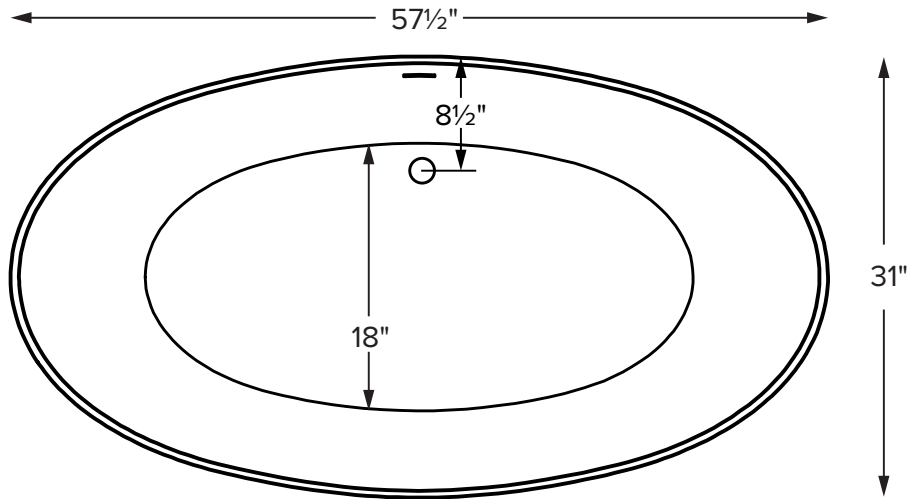


Willa 2

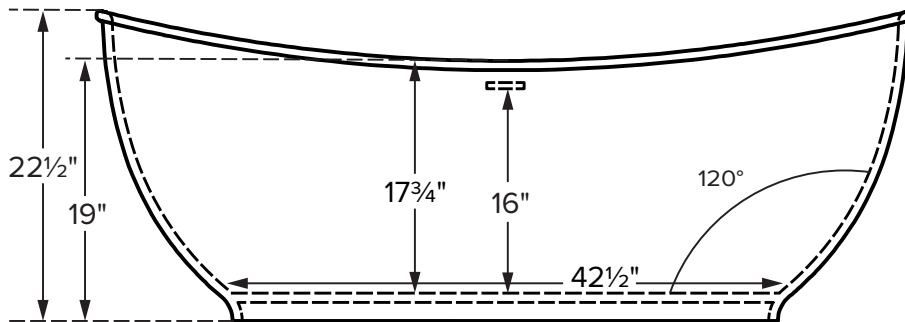
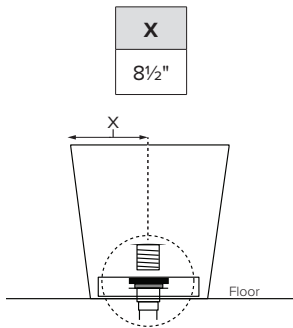


Willa 2 features an integrated slotted overflow.

MODEL 502
57.5" x 31" x 22.5"
FREESTANDING 56 gal to overflow
Mineral Composite
140 lbs / 64 kg soaker
Filling this tub to the maximum may require an above average size or dedicated water heater.



Drain Rough-In Measurement



ELECTRICAL COMPONENTS & SPECIFICATIONS

Hydrotherapy Package	Components Included	110V GFCI
Air Massage	heated blower	1-15 amp

Electrical requirements may change with the addition of optional therapy components. See specific [option details](#) or [installation information](#).
CSA Certified C/US; ANSI Z124.1 and ANSI 112.19.7

IMPORTANT ORDERING & INSTALLATION INFORMATION

- Before ordering or installing, please consider future access to equipment.
- Integrated overflow with toe tap drain included.
- Air baths require job site preparations for remote mounting the blower and required check valve. Check valve must be installed higher than the rim of the tub.
- Hydrotherapy equipment may ship loose for remote installation depending on tub model. See bullets at top of next page for details.
- Waterproof remote control included. Keypad is shipped loose and may be mounted nearby.
- Faucet valves cannot be installed on this tub model.

- Before discarding tub crate, check for accessories that may be packaged inside.
- All product measurements are ±1/2".
- Specifications and configurations are subject to change without notice.
- Measurements herein supersede all others published prior to publication date below.

See the Installation & Operation Manual for more details.
MTI's Customer Service: Monday-Friday 8am-6pm EST
800-783-8827 or service@mtibaths.com

MODEL 502

Ferguson Exclusive

For more information on options and accessories go to Mineral Composite Tubs Options on acquabellabaths.com

Willa 2
57.5" x 31" x 22.5"

- Blower, control box and required check valve for airbath must be remote mounted.
- Check valve must be installed higher than the rim of the tub.
- See Installation and Operation Manual for more details.

Hydrotherapy	Package Contents	Part #	MSRP
Soaker	Soaking bath - no jets. Includes an integrated slotted overflow with white toe-tap drain kit.	S502	\$6,285
Air Bath	20 air jets, heated air blower, keypad, waterproof remote control, integrated slotted overflow with white toe-tap drain kit.	AST502	\$10,475

Color and Finish Options

Standard Colors: White, gloss finish only.

Recommended Drain Kits

- Westbrass D98LTBAA-XX (included with tub)
- OS&B 500Q Series
- Mountain Plumbing BDWOF-ST

Drain Kit Accessories

Quick Drain Kit - (WOQ) \$485

Brass Tailpiece (WIOBS) \$90 (not compatible with OS&B 500Q)

Accessories *Sold separately*

Pillows from \$190

Teak Bath Mat - Measures 30" x 17.5" x 1"
(TKMAT3018) **\$840**
Custom sizes also available, contact MTI for details.

Pricing is MSRP. Part codes listed in parentheses.



Inside view of tub