

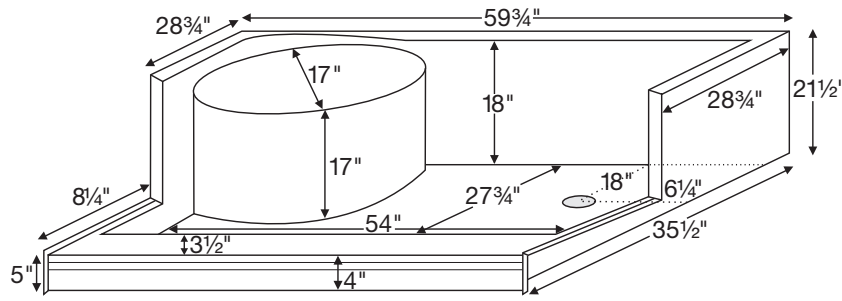


MTSB-6036Seated

59.75" x 35.5" x 21.5"

GENERAL SPECIFICATIONS:

Material - Acrylic
 Shipping Weight - 100 lbs / 45 kg
 Threshold - Low-Profile, Seated
 Drain Location - End



When ordering, please specify left- or right-hand drain.

Lead Time - 4 business days

Model #	Color Options	Size	Shape	MSRP
SB6036Seated	White (CWH), Bone (CBN), Biscuit (CBS)	59.75" x 35.5" x 21.5"	Rectangle	\$1,590
SB6036SeatedGRP1	Black (CBL) Sterling Silver (CSS)	59.75" x 35.5" x 21.5"	Rectangle	\$1,850

Standard Options

Quick Ship - Reduces lead time. Please call for availability.
 (QSPRI) **\$380**

Radiance® - Shower floor heating system.
 (RAD100) **\$1,080**

Radiance heating grids are fully integrated within the acrylic shell structure of the shower floor. Requires a 110-volt, 15 amp GFCI and remote installation of control box & keypad.

Pre-Levelled Foam Base
 (PLFSB) **\$160**

Optional Hardware

NOTE: Part codes for all options listed in parenthesis.

PVC Drain Kit Finishes

- Chrome (included with shower base)
- Brushed Nickel upcharge* (SBDKBN) **\$60**
- Special Finishes upcharge* (SBDKSF) **\$295**
- Must send sample and allow 2 weeks additional lead time
- Solid Brass Drain Kit with Stainless cover (SBDKSB) **\$185**

Accessories

Shower Niche - Constructed of SculptureStone®.
 Matte Finish - White (SSNWHMT) **\$480**
 Gloss Finish - White (SSNWHGL) **\$640**

Teak Bath Mat - Measures 30" x 17.5" x 1".
 (TK-MAT3018) **\$430**
 Custom sizes also available. Contact MTI for details.

Teak Shower Tray -
 (TK6036Seated) **\$1,050**

IMPORTANT ORDERING & INSTALLATION INFORMATION:

- 3.5" drain opening pre-drilled.
- 3-sided integral tile flange to facilitate installation.
- Single, front threshold design with integrated seat.
- Compliant with ASTM C 1028-07 coefficient of friction test.
- Measurements are ± 1/2" and are subject to change without notice.
- Data herein supersedes all prior to publication date shown below.

See the "Designer Collection Shower Bases Installation & Operation Manual" included with pan delivery or go to: mtibaths.com/support/installation for all the information necessary to install and operate the tub. MTI's Customer Service Department is available Monday-Friday 8am-6pm EST at 800-783-8827 or service@mtibaths.com to answer any questions pertaining to ordering or installation.

