

# Wymara 3

Model # MTCS-764

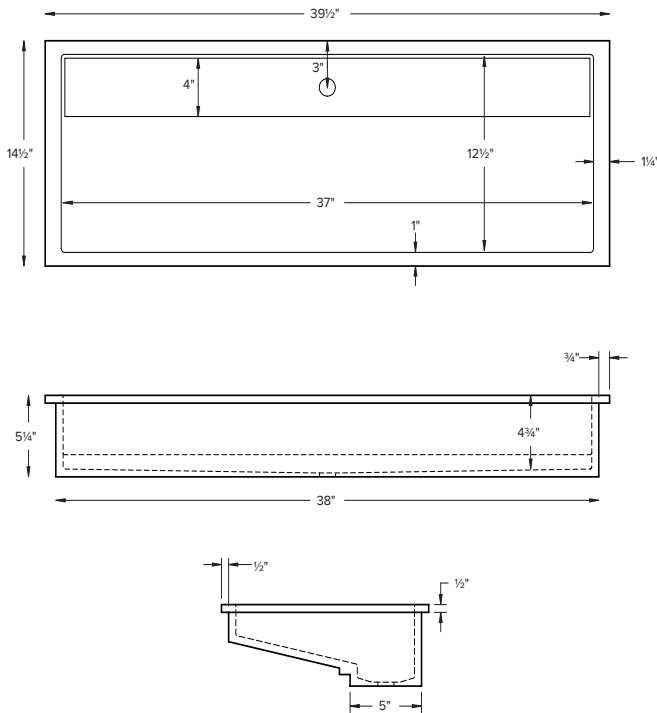
39.5" x 14.5" x 5.25"

Bowl Size: 37" x 12.5"

**Material** SculptureStone®  
**Installation** undermount only  
**Shipping Weight** 70 lbs.



Wymara 3 features a concealed drain cover.  
 See image below for sink with cover removed.



Due to its handcrafted nature, always measure sink on-site to ensure cut-out accuracy.

### Sink Options and Pricing

**Part #:** MTCS764 **\$1,495**  
**Packaging / Handling Fee Applies**

**Standard Color** White, matte finish  
**Biscuit Color Upgrade** (SSBISNK) **\$125** matte finish  
 Additional material colors available for projects only. Please call MTI.

**Hand-Polished Deep Gloss Finish Upcharge** (SSGLOSSENK3) **\$750**  
 For White or Biscuit

**Quick Ship** (QSPRI3) **\$255** reduces lead time  
 Please call for availability.

### Options and Accessories

**Teak Sink Tray**  
 Slatted (TKST1) **\$190**    Solid (TKST2) **\$220**

**Drain Kits**  
**Integrated Overflow no charge**  
 Rear Overflow (SINKIOR), Front Overflow (SINKIOF)

**Finger Touch Drain With Overflow**  
 Chrome (DKFGC) **\$185**, Brushed Nickel (DKFGBN) **\$180**

**Finger Touch Drain Without Overflow**  
 Chrome (DKFGCN) **\$185**, Brushed Nickel (DKFGBNN) **\$190**

**Grid Drain With Overflow**  
 Chrome (DKGDC) **\$130**, Brushed Nickel (DKGDBN) **\$180**

**Grid Drain Without Overflow**  
 Chrome (DKGDCN) **\$115**, Brushed Nickel (DKGDBNN) **\$180**

**Fixed Drain Without Overflow**  
 Chrome (DKFDC) **\$300**

### CONSTRUCTION AND STANDARD FEATURES

- 1.5" drain opening. Comes without an overflow. Check local codes.
- Undermount only. Measure on site to achieve the proper cut-out size.
- Lip detail will accommodate commonly used undermount hardware. Undermount hardware is not included.
- One-piece construction using Engineered SculptureStone® (ESS) material.
- This material is non-porous, stain-, mold- and mildew-resistant.
- Approximately 70% of the material is organic, including minerals mined from the earth, making it "Green".
- Five-Year Limited Residential Warranty.



Shown with drain cover removed.



Also available, Wymara Counter-Sink 3, featuring custom-size countertop with integrated bowl.

• Before discarding packaging, check for accessories that may be inside.  
 • All product measurements are ±1/2".  
 • Specifications and configurations are subject to change without notice.  
 • Measurements herein supersede all others published prior to publication date below.

