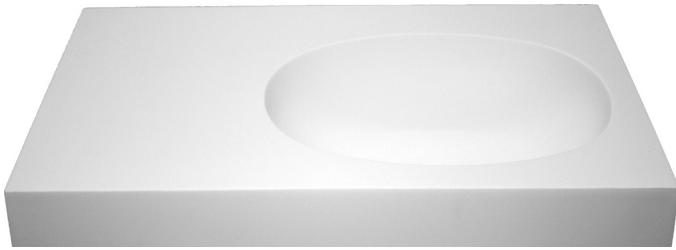


# Akana 2

Model # MTCS-736

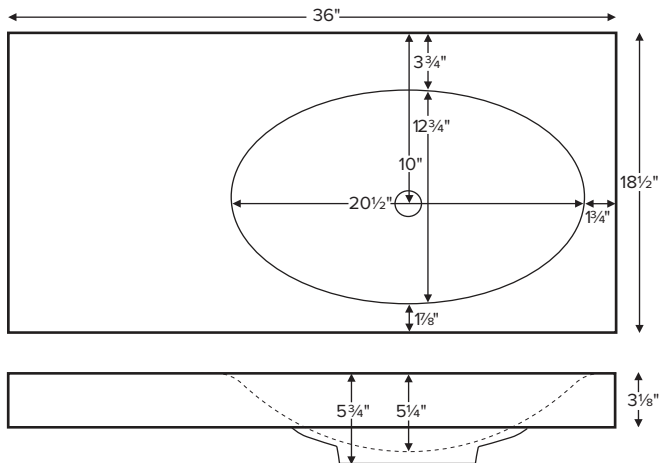
36" x 18.5" x 5.75"

**Material** SculptureStone®  
**Installation** semi-recessed  
**Shipping Weight** 52 lbs.



Shown with standard 3.125" rim height. Rim height may be specified up to 5.75" when ordering.

Shown with right side bowl. May specify right or left side offset bowl when ordering.



Due to its handcrafted nature, always measure sink on-site to ensure cut-out accuracy.

## CONSTRUCTION AND STANDARD FEATURES

- 1.5" drain opening. Comes standard without an overflow. Check local codes.
- One-piece construction using Engineered SculptureStone® (ESS) material.
- Unit comes without faucet holes. Up to 3 holes drilled at no additional charge.
- This material is non-porous, stain-, mold- and mildew-resistant.
- Approximately 70% of the material is organic, including minerals mined from the earth, making it "Green".
- Five-Year Limited Residential Warranty.

## Sink Options and Pricing

**Part #:** MTCS736 **\$1,460**

**Packaging / Handling Fee Applies**

**Standard Color** White, matte finish

**Biscuit Color Upgrade** (SSBISNK) **\$125** matte finish

Additional material colors available for projects only. Please call MTI.

**Hand-Polished Deep Gloss Finish Upcharge** (SSGLOSSSNK2) **\$555**

For White or Biscuit

**Integrated Overflow** (CIOF) **\$250**

Front Installation Only

**Faucet Holes** Up to 3 holes **no charge**

Must specify hole location(s) on order

**Quick Ship** (QSPRI3) **\$255** reduces lead time

Please call for availability.

## Options and Accessories

### Drain Kits

#### Finger Touch Drain With Overflow

Chrome (DKFGC) **\$185**, Brushed Nickel (DKFGBN) **\$180**

#### Finger Touch Drain Without Overflow

Chrome (DKFGCN) **\$185**, Brushed Nickel (DKFGBNN) **\$190**

#### Grid Drain With Overflow

Chrome (DKGDC) **\$130**, Brushed Nickel (DKGDBN) **\$180**

#### Grid Drain Without Overflow

Chrome (DKGDCN) **\$115**, Brushed Nickel (DKGDBNN) **\$180**

#### Fixed Drain Without Overflow

Chrome (DKFDC) **\$300**



Also available as a wall-mount sink, MTCS-736D.

See product specification sheet for details.

- Before discarding packaging, check for accessories that may be inside.
- All product measurements are  $\pm 1/2"$ .
- Specifications and configurations are subject to change without notice.
- Measurements herein supersede all others published prior to publication date below.

CSA # MTCS-736

©2022 by MTI Baths, Inc. Modification Rights Reserved