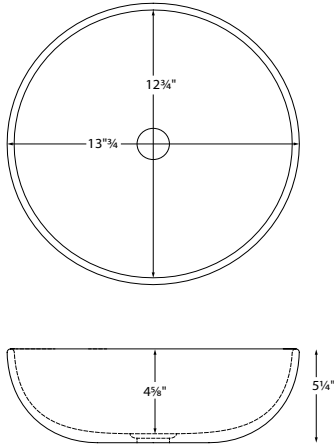




Luna 1 shown with a Rolled Rim.

Luna 1
Model # MTCS-720
 13.75" x 5.25"

Material SculptureStone®
Installation vessel style
Shipping Weight 15 lbs.



Vessel style sink installs on top of the vanity.

Cut-out for drain installation required.

Sink Options and Pricing

Part #: MTCS720F (Flat Rim) **\$810** MTCS720R (Rolled Rim) **\$810**
Packaging / Handling Fee Applies

Standard Color White, matte finish
Biscuit Color Upgrade (SSBISNK) **\$125** matte finish
 Additional material colors available for projects only. Please call MTI.

Hand-Polished Deep Gloss Finish Upcharge (SSGLOSSNK2) **\$555**
 For White or Biscuit

Exterior Color \$340 for Flat Rim only (SSCOLSG) Gloss (SSCOLSM) Matte
 Must specify color code:
 Sapphire Blue (SB), Blue Lagoon (BL), Terracotta (TC), Onyx (OX),
 Nightfall (NF), Stratus Gray (TG), Stormgray (SG), Moonstone (MS)

Quick Ship (QSPRI3) **\$255** reduces lead time
 Please call for availability.

Options and Accessories

Drain Kits

Finger Touch Drain Without Overflow

Chrome (DKFGCN) **\$185**, Brushed Nickel (DKFGBNN) **\$190**

Grid Drain Without Overflow

Chrome (DKGDCN) **\$115**, Brushed Nickel (DKGDBNN) **\$180**

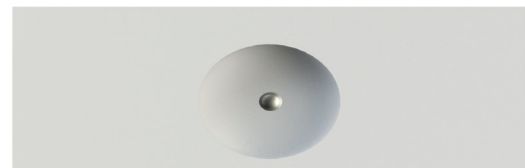
Fixed Drain Without Overflow

Chrome (DKFDC) **\$300**



CONSTRUCTION AND STANDARD FEATURES

- 1.5" drain opening. Comes without an overflow. Check local codes.
- One-piece construction using Engineered SculptureStone® (ESS) material.
- This material is non-porous, stain-, mold- and mildew-resistant.
- Approximately 70% of the material is organic, including minerals mined from the earth, making it "Green".
- Five-Year Limited Residential Warranty.



Also available, Luna Counter-Sink 1, featuring custom-size countertop with integrated bowl. Offered in a single or double bowl configuration.

• Before discarding packaging, check for accessories that may be inside.
 • All product measurements are ±1/2".
 • Specifications and configurations are subject to change without notice.
 • Measurements herein supersede all others published prior to publication date below.

