

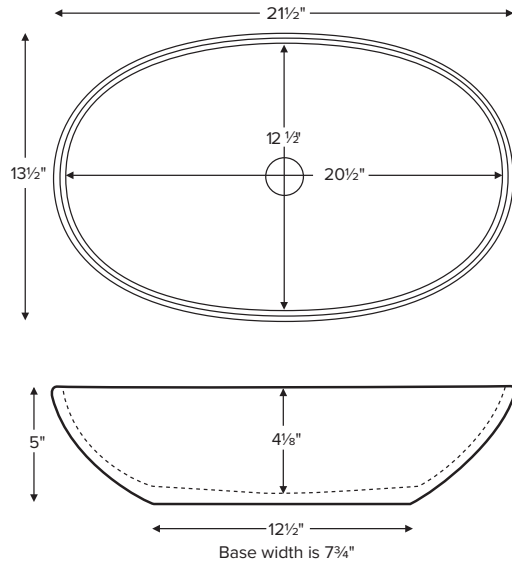


Vessel style rests on top of the vanity.

Alissa

Model # MTCS-716
21.5" x 13.5" x 5"

Material SculptureStone®
Installation vessel style
Shipping Weight 25 lbs.



Cut-out for the drain installation required.

Sink Options and Pricing

Part #: MTCS716 **\$950**
Packaging / Handling Fee Applies

Standard Color White, matte finish
Biscuit Color Upgrade (SSBISNK) **\$125** matte finish
Additional material colors available for projects only. Please call MTI.

Hand-Polished Deep Gloss Finish Upcharge (SSGLOSSSNK) **\$430**
For White or Biscuit

Exterior Color **\$340** (SSCOLSG) Gloss (SSCOLSM) Matte
Must specify color code:
Saphire Blue (SB), Blue Lagoon (BL), Terracotta (TC), Onyx (OX),
Nightfall (NF), Stratus Gray (TG), Stormgray (SG), Moonstone (MS)

Quick Ship (QSPRI3) **\$255** reduces lead time
Please call for availability.

Options and Accessories

Drain Kits

Finger Touch Drain Without Overflow
Chrome (DKFGCN) **\$185**, Brushed Nickel (DKFGBNN) **\$190**

Grid Drain Without Overflow
Chrome (DKGDCN) **\$115**, Brushed Nickel (DKGDBNN) **\$180**

Fixed Drain Without Overflow
Chrome (DKFDC) **\$300**



CONSTRUCTION AND STANDARD FEATURES

- 1.5" drain opening. Comes without an overflow. Check local codes.
- One-piece construction using Engineered SculptureStone® (ESS) material.
- This material is non-porous, stain-, mold- and mildew-resistant.
- Approximately 70% of the material is organic, including minerals mined from the earth, making it "Green".
- Five-Year Limited Residential Warranty.



Also available, Alissa Counter-Sink, featuring custom-size countertop with integrated bowl. Offered in a single or double bowl configuration.

• Before discarding packaging, check for accessories that may be inside.
• All product measurements are ±1/2".
• Specifications and configurations are subject to change without notice.
• Measurements herein supersede all others published prior to publication date below.

