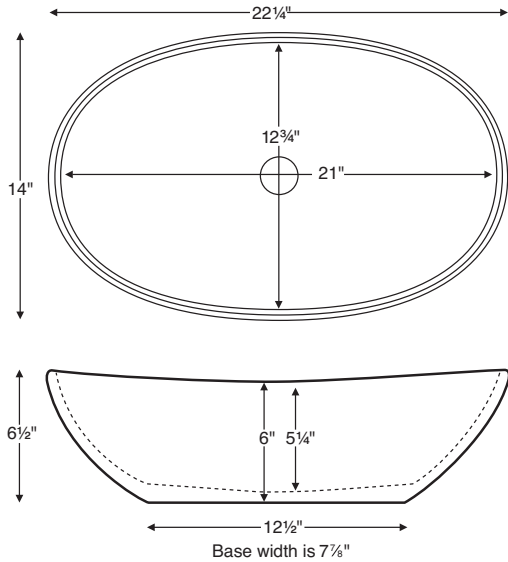




Vessel style sink rests on top of the vanity.

Elise
 Model # MTCS-715
 22.25" x 14" x 6.5"

Material SculptureStone®
Installation vessel style
Shipping Weight 26 lbs.



Cut-out for the drain installation required.

Sink Options and Pricing
Part #: MTCS715 \$1,060 Packaging / Handling Fee Applies
Standard Color White, matte finish Biscuit Color Upgrade (SSBISNK) \$125 matte finish Additional material colors available for projects only. Please call MTI.
Hand-Polished Deep Gloss Finish Upcharge (SSGLOSSSNK) \$430 For White or Biscuit
Quick Ship (QSPRI3) \$255 reduces lead time Please call for availability.
Options and Accessories
Drain Kits
Finger Touch Drain Without Overflow Chrome (DKFGCN) \$185 , Brushed Nickel (DKFGBNN) \$190
Grid Drain Without Overflow Chrome (DKGDCN) \$115 , Brushed Nickel (DKGDBNN) \$180
Fixed Drain Without Overflow Chrome (DKFDC) \$300



CONSTRUCTION AND STANDARD FEATURES

- 1.5" drain opening. Comes without an overflow. Check local codes.
- One-piece construction using Engineered SculptureStone® (ESS) material.
- This material is non-porous, stain-, mold- and mildew-resistant.
- Approximately 70% of the material is organic, including minerals mined from the earth, making it "Green".
- Five-Year Limited Residential Warranty.

• Before discarding packaging, check for accessories that may be inside.
 • All product measurements are ±1/2".
 • Specifications and configurations are subject to change without notice.
 • Measurements herein supersede all others published prior to publication date below.

