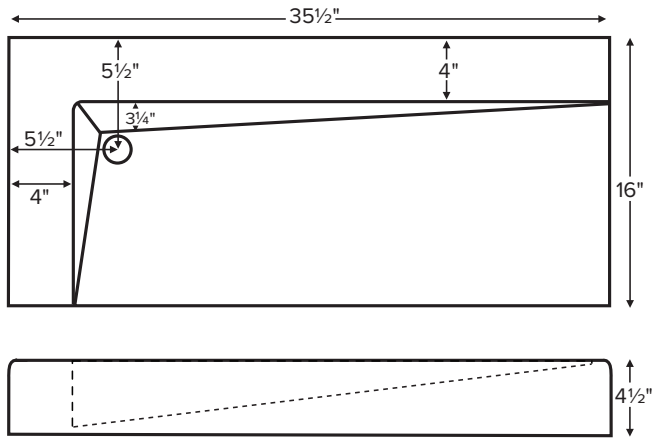




Shown as left hand drain with provided square drain kit.
May be specified as right or left side drain.



Sink installs on top of counter.
Cut-out for the drain installation required.

CONSTRUCTION AND STANDARD FEATURES

- 1.5" drain opening. Comes without an overflow. Check local codes.
- One-piece construction using Engineered SculptureStone® (ESS) material.
- Unit comes without faucet holes. Up to 3 holes drilled at no additional charge.
- This material is non-porous, stain-, mold- and mildew-resistant.
- Approximately 70% of the material is organic, including minerals mined from the earth, making it "Green".
- Five-Year Limited Residential Warranty.

St. Tropez

Model # MTCS-711
35.5" x 16" x 4.5"

Material SculptureStone®
Installation vessel style
Shipping Weight 48 lbs.

Sink Options and Pricing
Part #: MTCS711 \$1,370 Packaging / Handling Fee Applies
Standard Color White, matte finish Biscuit Color Upgrade (SSBISNK) \$125 matte finish Additional material colors available for projects only. Please call MTI.
Hand-Polished Deep Gloss Finish Upcharge (SSGLOSSSNK) \$430 For White or Biscuit
Faucet Holes Up to 3 holes no charge Must specify hole location(s) on order
Quick Ship (QSPRI3) \$255 reduces lead time Please call for availability.
Options and Accessories
Drain Kits
Square Drain Kit Chrome (included with sink) Brushed Nickel (DKBNUST) \$45

• Before discarding packaging, check for accessories that may be inside.
• All product measurements are ±1/2".
• Specifications and configurations are subject to change without notice.
• Measurements herein supersede all others published prior to publication date below.

