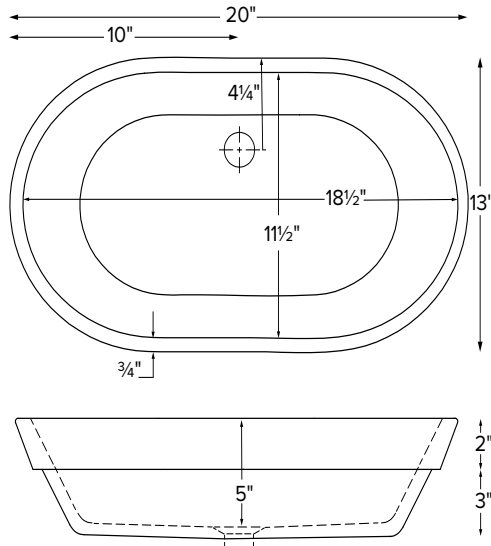




Leona
 Model # MTCS-768
 20" x 13" x 5"

Material SculptureStone®
Installation vessel style or semi-recessed
Shipping Weight 13 lbs.



When semi-recessed, the top 2" of the sink will rest on the vanity.

Due to its handcrafted nature, always measure sink on-site to ensure cut-out accuracy.

Sink Options and Pricing

Part #: MTCS768 \$1,160
Packaging / Handling Fee Applies
Standard Color White, matte finish Biscuit Color Upgrade (SSBISNK) \$125 matte finish Additional material colors available for projects only. Please call MTI.
Hand-Polished Deep Gloss Finish Upcharge (SSGLOSSSNK3) \$750 For White or Biscuit
Exterior Color \$340 (SSCOLSG) Gloss (SSCOLSM) Matte Must specify color code: Sapphire Blue (SB), Blue Lagoon (BL), Terracotta (TC), Onyx (OX), Nightfall (NF), Stratus Gray (TG), Stormgray (SG), Moonstone (MS)
Quick Ship (QSPRI3) \$255 reduces lead time Please call for availability.

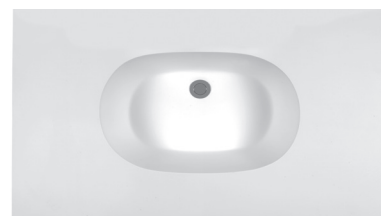
Options and Accessories

Drain Kits
Finger Touch Drain Without Overflow Chrome (DKFGCN) \$185 , Brushed Nickel (DKFGBNN) \$190
Grid Drain Without Overflow Chrome (DKGDCN) \$115 , Brushed Nickel (DKGDBNN) \$180
Fixed Drain Without Overflow Chrome (DKFDC) \$300



CONSTRUCTION AND STANDARD FEATURES

- 1.5" drain opening. Comes without an overflow. Check local codes.
- One-piece construction using Engineered SculptureStone® (ESS) material.
- This material is non-porous, stain-, mold- and mildew-resistant.
- Approximately 70% of the material is organic, including minerals mined from the earth, making it "Green".
- Five-Year Limited Residential Warranty.



Also available, Leona Counter-Sink, featuring custom-size countertop with integrated bowl.

• Before discarding packaging, check for accessories that may be inside.
 • All product measurements are ±1/2".
 • Specifications and configurations are subject to change without notice.
 • Measurements herein supersede all others published prior to publication date below.

