

Boutique Collection Tubs

Akana Drop-In

MODEL #: 131A

65.625" x 37.875" x 21.5"

GENERAL SPECIFICATIONS

Material - SculptureStone®

Installation - Drop-In

Soaker Weight - 300 lbs / 136 kg

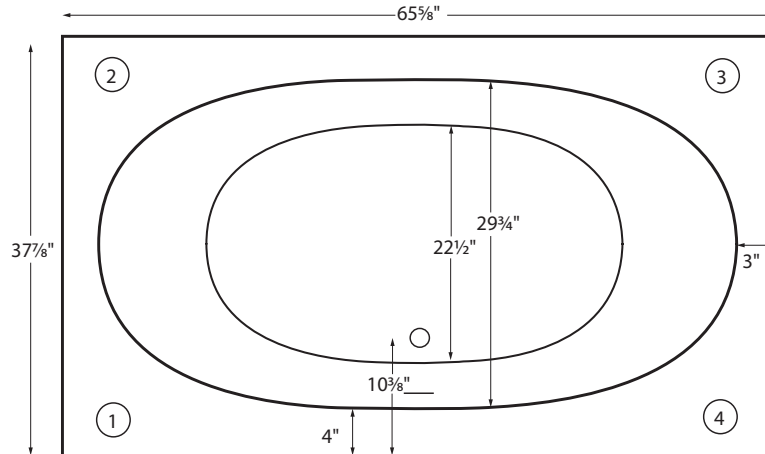
Air Bath Weight - 330 lbs / 150 kg

Maximum Fill - 71 gal to overflow

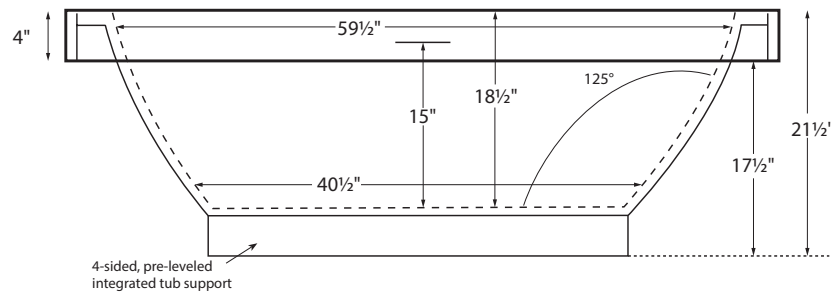
NOTE: Filling this tub to the maximum may require an above average size or dedicated water heater.



Features an integrated overflow.



Numbered locations on tub deck are possible locations to mount faucetry.



ELECTRICAL COMPONENTS & SPECIFICATIONS

Required Electrical Service - 110 Volt

Hydrotherapy Package	Components Included	GFCI
Air Massage	heated blower	1-15 amp

CSA Certified C/US; ANSI Z124.1 and ANSI 112.19.7

See the Installation & Operation Manual for more details.
MTI's Customer Service: Monday-Friday 8am-6pm EST
800-783-8827 or service@mtibaths.com

IMPORTANT ORDERING & INSTALLATION INFORMATION

- Before ordering or installing, please consider future access to equipment.
- Standard rim height on drop-in models is 4". Over 4" available upon request.
- Pre-leveled integral pedestal supports tub on a flat, level subfloor.
- Includes an integrated overflow with toe tap drain kit. May be specified without an overflow (see local codes before ordering without an overflow).
- Air baths require job site preparation for remote installation of the blower and required check valve. Check valve must be installed higher than the rim of the tub.
- Waterproof remote control included with air bath. Keypad shipped loose may be remote mounted on nearby surface/wall.
- Numbered areas on tub deck represent possible locations to install faucets and other fixtures.

- Before discarding tub crate, check for accessories that may be packaged inside.
- All product measurements are $\pm 1/2"$.
- Specifications and configurations are subject to change without notice.
- Measurements herein supersede all others published prior to publication date below.

CSA # MTCT-131

©2022 by MTI Baths, Inc. Modification Rights Reserved

1 of 2



Rev. 02 09 2022

For more information on options and accessories go to SculptureStone® Tubs Options on mtibaths.com

Akana Drop-In

MODEL #: 131A
65.625" x 37.875" x 21.5"

- Blower & required check valve for airbath must be remote mounted. Check valve must be installed higher than the rim of the tub.
- See the Installation & Operation Manual for more details.

Hydrotherapy	Package Contents	Part #	MSRP	
Soaker	Soaking bath - no jets. Includes an integrated slotted overflow with a toe-tap drain kit.	S131A	\$11,150	Crate / Handling Fee Applies
Air Bath	20 air jets, heated air blower, keypad, waterproof remote control, integrated slotted overflow with a toe-tap drain kit	AST131A	\$16,540	Crate / Handling Fee Applies

Options <small>Must be ordered at time of purchase</small>
Quick Ship (QSPRI2) \$1,025 reduces lead time <i>Please call for availability</i>
Standard Color White, matte finish Biscuit Color Upgrade (SSBI) \$310 matte finish <i>Additional material colors available for projects only. Please call MTI.</i>
Hand-Polished Deep Gloss Finish (SSGLOSS2) \$795 upcharge For white or biscuit
Tile Flange - Factory Installed 1 Side (TFK1) \$175 , 2 Side (TFK2) \$185 , 3 Side (TFK3) \$200 <i>Must specify flange location(s) upon ordering</i> Field Install Tile Flange Kit (TFKNI) \$185 <i>Includes adhesive</i>

Boutique Accessories Packaging / Handling Fee Applies
SculptureStone® Bathroom Table (TABLE) \$825 matte finish +\$430 gloss finish upcharge (SSGLOSSNK) <i>Order with tub for best color match</i>

Accessories
Teak Bath Mat (TKMAT3018) \$815 Measures 30" x 17.5" x 1" <i>Custom sizes also available. Contact MTI for details.</i>
SculptureStone® Tub Tray Without Stemware Holder (SSTRAY1) \$340 With Stemware Holder (SSTRAY2) \$450 <i>Color and finish will come matched with tub</i>
Teak Tub Tray Slatted (TK-TRAY1) \$500 Solid (TK-TRAY2) \$570 <i>Order with tub for best fit</i>

Drains & Overflow Kits Must be ordered at time of purchase

Toe Tap Drain Cover Finishes
PVC drain - Chrome included +\$50 upcharge Br. Nickel (WIOBN), Pol. Nickel (WIOPN) +\$85 upcharge Matte Black (WIOBM) +\$105 upcharge Oil-Rubbed Bronze* (WIOOR) +\$640 upcharge Special Finish* (WIOSF) <i>Send finish sample to MTI Baths for best match.</i>

Toe Tap SculptureStone® Drain Cover Finishes
Upgrade is in lieu of standard chrome to tap drain cover. White only +\$90 upcharge Matte Finish (SSWIOMT) +\$110 upcharge Gloss Finish (SSWIOGL) Brass Tailpiece (WIOBS) \$85 in addition to finish charge listed above Quick Drain Kit (WOQ) \$460

* MTI has selected an oil-rubbed bronze finish that is compatible with Delta and many other manufacturers. To ensure best match, order as a Special Finish and submit a sample.
CSA # MTCT-131
©2022 by MTI Baths, Inc. Modification Rights Reserved

* Allow 2-4 weeks lead time for Special Finishes.
Send sample for best match.

