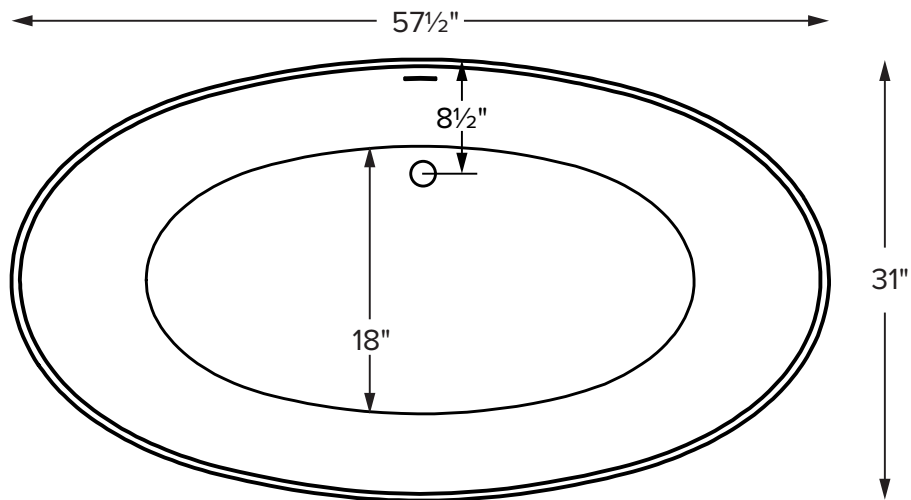




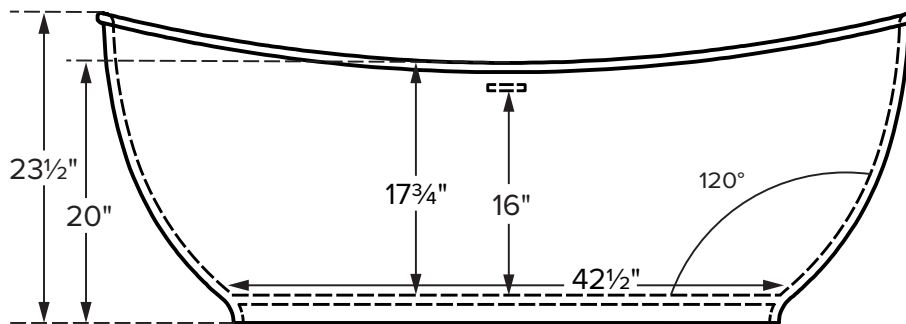
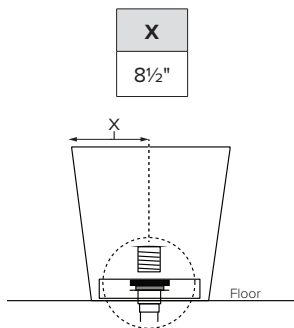
Willa 2 features an integrated slotted overflow.

Willa 2

MODEL 502
57.5" x 31" x 20"
FREESTANDING 56 gal to overflow
Mineral Composite
140 lbs / 64 kg soaker
Filling this tub to the maximum may require an above average size or dedicated water heater.



Drain Rough-In Measurement



ELECTRICAL COMPONENTS & SPECIFICATIONS

Hydrotherapy Package	Components Included	110V GFCI
Air Massage	heated blower	1-15 amp

Electrical requirements may change with the addition of optional therapy components. See specific [option details](#) or [installation information](#).
CSA Certified C/US; ANSI Z124.1 and ANSI 112.19.7

IMPORTANT ORDERING & INSTALLATION INFORMATION

- Before ordering or installing, please consider future access to equipment.
- Integrated overflow with toe tap drain included.
- Air baths require job site preparations for remote mounting the blower and required check valve. Check valve must be installed higher than the rim of the tub.
- Hydrotherapy equipment may ship loose for remote installation depending on tub model. See bullets at top of next page for details.
- Waterproof remote control included. Keypad is shipped loose and may be mounted nearby.
- Faucet valves cannot be installed on this tub model.

- Before discarding tub crate, check for accessories that may be packaged inside.
- All product measurements are $\pm 1/2$ ".
- Specifications and configurations are subject to change without notice.
- Measurements herein supersede all others published prior to publication date below.

CSA # MMTC-502

See the Installation & Operation Manual for more details.
MTI's Customer Service: Monday-Friday 8am-6pm EST
800-783-8827 or service@mtibaths.com

©2023 by MTI Baths, Inc. Modification Rights Reserved



Rev. 05 04 2023

MODEL 502

Ferguson Exclusive

For more information on options and accessories go to Cosmopolitan Mineral Composite Tubs Options on mtibaths.com

Willa 2
64.375" x 34.5" x 20.5"

- Blower, control box and required check valve for airbath must be remote mounted.
- Check valve must be installed higher than the rim of the tub.
- See Installation and Operation Manual for more details.

Hydrotherapy	Package Contents	Part #	MSRP
Soaker	Soaking bath - no jets. Includes an integrated slotted overflow with white toe-tap drain kit.	S502	\$6,540
Air Bath	20 air jets, heated air blower, keypad, waterproof remote control, integrated slotted overflow with white toe-tap drain kit.	AST502	\$10,965

Color and Finish Options

Standard Colors: White, gloss finish only.

Recommended Drain Kits

- Westbrass D98LTBAA-XX (included with tub)
- OS&B 500Q Series
- Mountain Plumbing BDWOF-ST

Drain Kit Accessories

Quick Drain Kit - (WOQ) \$460

Brass Tailpiece (WIOBS) \$85 (not compatible with OS&B 500Q)

Accessories *Sold separately*

Pillows from \$180

Teak Bath Mat - Measures 30" x 17.5" x 1"
(TKMAT3018) **\$815**
Custom sizes also available, contact MTI for details.

Pricing is MSRP. Part codes listed in parentheses.



Inside view of tub

