



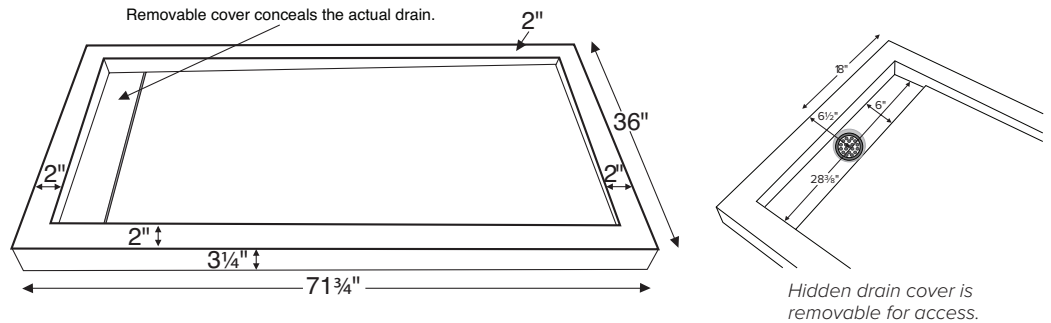
Shown with standard Stainless Steel Hidden Drain Cover.

MTSB-7236MTHD

71.75" x 36" x 3.25"

GENERAL SPECIFICATIONS:

Material - Acrylic
Shipping Weight - 125 lbs / 57 kg
Threshold - Low-Profile, Multiple Threshold
Drain Location - End



When ordering, please specify left- or right-hand drain and tile flange locations.

Lead Time - 4 business days

Model #	Color Options	Size	Shape	MSRP
SB7236MTHD	White (CWH), Bone (CBN), Biscuit (CBS)	71.75" x 36" x 3.25"	Rectangle	\$1,835
SB7236MTHDGRP1	Black (CBL) Sterling Silver (CSS)	71.75" x 36" x 3.25"	Rectangle	\$2,315

Standard Options
White, Matte Finish (SBMATTE) \$85
Quick Ship - Reduces lead time. Please call for availability. (QSPRI) \$380
Radiance® - Shower floor heating system. (RAD100) \$1,080 Radiance heating grids are fully integrated within the acrylic shell structure of the shower floor. Requires a 110-volt, 15 amp GFCI and remote installation of control box & keypad.
Pre-Leveled Foam Base (PLFSB) \$160
Hidden Drain Cover Stainless Steel (standard with any color shower base) No Charge Powder Coated White (DCH36W) No Charge Must specify on order.
Optional Hardware NOTE: Part codes for all options listed in parenthesis.
PVC Drain Kit Finishes Chrome (included with shower base) Solid Brass Drain Kit with Stainless cover (SBDKSB) \$185

Accessories
Shower Niche - Constructed of SculptureStone®. Matte Finish - White (SSNWHMT) \$480 Gloss Finish - White (SSNWHGL) \$640
Teak Shower Seat Premium Natural Stainless (TKSSEAT2416BNS) \$2,385 High-Polished Stainless (TKSSEAT2416BHP) \$2,755 Standard Natural Stainless (TKSSEAT2215NS) \$880 High-Polished Stainless (TKSSEAT2215HP) \$1,220
Teak Bath Mat - Measures 30" x 17.5" x 1". (TKMAT3018) \$430 Custom sizes also available. Contact MTI for details.
Teak Shower Tray (TKHD36) \$190

IMPORTANT ORDERING & INSTALLATION INFORMATION:

- 3.5" drain opening pre-drilled.
- Factory-installed tile flange on 1, 2, or 3 sides to facilitate installation.
- Compliant with ASTM C 1028-07 coefficient of friction test.
- Measurements are ± 1/2" and are subject to change without notice.
- Data herein supersedes all prior to publication date shown below.

See the "Designer Collection Shower Bases Installation & Operation Manual" included with pan delivery or go to: mtibaths.com/support/installation for all the information necessary to install and operate the tub. MTI's Customer Service Department is available Monday-Friday 8am-6pm EST at 800-783-8827 or service@mtibaths.com to answer any questions pertaining to ordering or installation.

