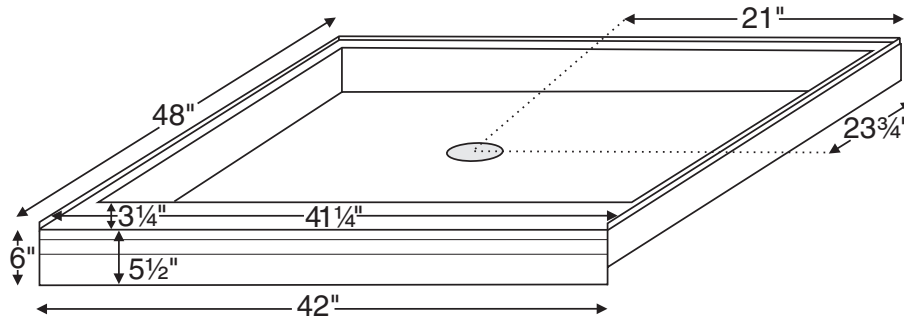


# MTSB-4248

42" x 48" x 5.5"

**GENERAL SPECIFICATIONS:**

Material - Acrylic  
 Shipping Weight - 65 lbs / 29 kg  
 Threshold - Single Threshold  
 Drain Location - Center



Lead Time - 4 business days

Model #	Color Options	Size	Shape	MSRP
SB4248	White (CWH), Bone (CBN), Biscuit (CBS)	42" x 48" x 5.5"	Rectangle	<b>\$1,235</b>
SB4248GRP1	Black (CBL) Sterling Silver (CSS)	42" x 48" x 5.5"	Rectangle	<b>\$1,515</b>

Standard Options
<b>Quick Ship</b> - Reduces lead time. Please call for availability. (QSPRI) <b>\$380</b>
<b>Radiance®</b> - Shower floor heating system. (RAD100) <b>\$1,080</b> Radiance heating grids are fully integrated within the acrylic shell structure of the shower floor. Requires a 110-volt, 15 amp GFCI and remote installation of control box & keypad.
<b>Pre-Levelled Foam Base</b> (PLFSB) <b>\$160</b>
<b>Optional Hardware</b> NOTE: Part codes for all options listed in parenthesis.
<b>PVC Drain Kit Finishes</b> Chrome (included with shower base) Brushed Nickel upcharge* (SBDKBN) <b>\$60</b> Special Finishes upcharge* (SBDKSF) <b>\$295</b> Must send sample and allow 2 weeks additional lead time Solid Brass Drain Kit with Stainless cover (SBDKSB) <b>\$185</b>

Accessories
<b>Shower Niche</b> - Constructed of SculptureStone®. Matte Finish - White (SSNWHMT) <b>\$480</b> Gloss Finish - White (SSNWHGL) <b>\$640</b>
<b>Teak Shower Seat</b> - Premium Natural Stainless (TK-SSEAT2416BNS) <b>\$2,385</b> High-Polished Stainless (TK-SSEAT2416BHP) <b>\$2,755</b> Standard Natural Stainless (TKSSEAT2215NS) <b>\$880</b> High-Polished Stainless (TKSSEAT2215HP) <b>\$1,220</b>
<b>Teak Bath Mat</b> - Measures 30" x 17.5" x 1". (TK-MAT3018) <b>\$430</b> Custom sizes also available. Contact MTI for details.
<b>Teak Shower Tray</b> - (TK4248) <b>\$950</b>

**IMPORTANT ORDERING & INSTALLATION INFORMATION:**

- 3-sided integral tile flange to facilitate installation.
- Single, front threshold design. 3.5" drain opening pre-drilled.
- Compliant with ASTM C 1028-07 coefficient of friction test.
- Measurements are ± 1/2" and are subject to change without notice.
- Data herein supersedes all prior to publication date shown below.

See the "Designer Collection Shower Bases Installation & Operation Manual" included with pan delivery or go to: [mtibaths.com/support/installation](http://mtibaths.com/support/installation) for all the information necessary to install and operate the tub. MTI's Customer Service Department is available Monday-Friday 8am-6pm EST at 800-783-8827 or [service@mtibaths.com](mailto:service@mtibaths.com) to answer any questions pertaining to ordering or installation.

