



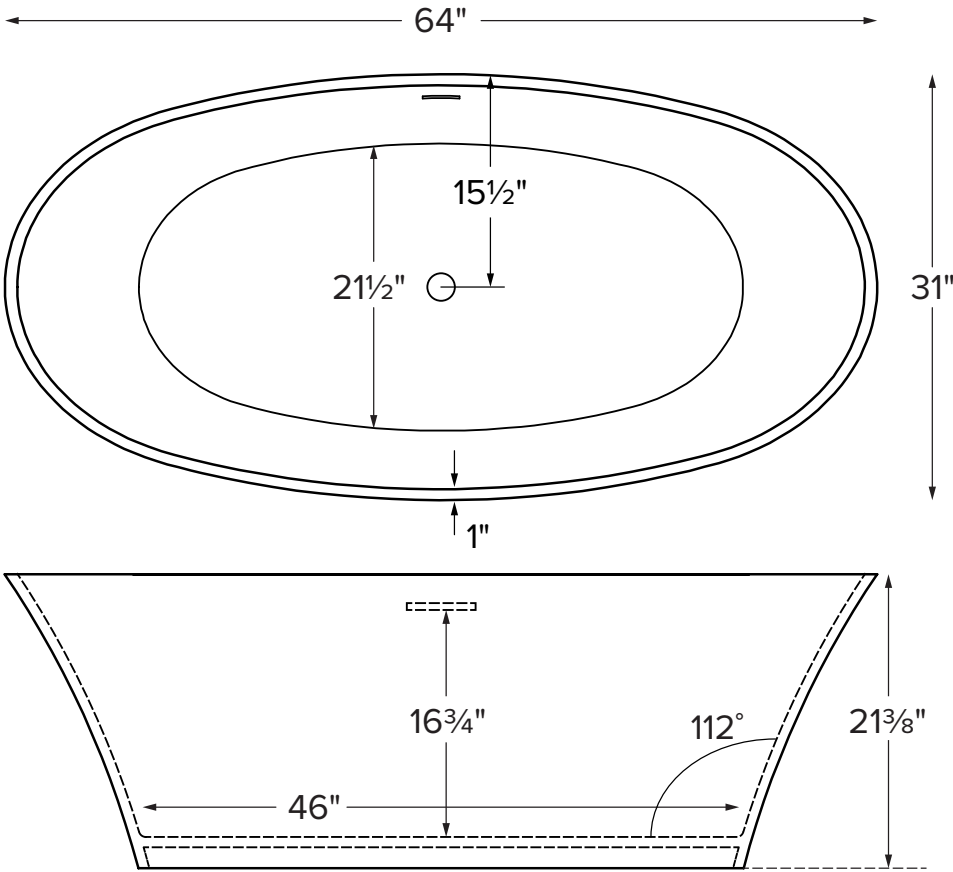
Features an integrated overflow.

**Adeline**  
 MODEL # 401  
 64" x 31" x 21.375"

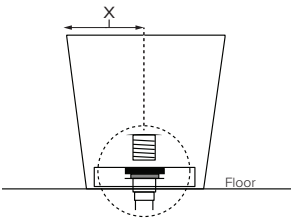
**GENERAL SPECIFICATIONS**

- Material** - Mineral Composite
- Installation** - Freestanding - *cannot be undermounted*  
*Not recommended as a tub / shower combination*
- Soaker Weight** - 150 lbs / 68 kg
- Maximum Fill** - 71 gal to overflow

**NOTE:** Filling this tub to the maximum may require an above average size or dedicated water heater.



Drain Rough-In Measurement



ELECTRICAL COMPONENTS & SPECIFICATIONS		
Required Electrical Service - 110 Volt		
Hydrotherapy Package	Components Included	GFCI
Air Massage	heated blower	1-15 amp
CSA Certified C/US; ANSI Z124.1 and ANSI 112.19.7		

See the Installation & Operation Manual for more details.  
 MTI's Customer Service: Monday-Friday 8am-6pm EST  
 800-783-8827 or service@mtibaths.com

**IMPORTANT ORDERING & INSTALLATION INFORMATION**

- Before ordering or installing, please consider future access to equipment.
- Integrated overflow with toe tap drain included. May also be specified without an overflow (see local codes).
- Air baths require job site preparations for remote mounting the blower and required check valve. Check valve must be installed higher than the rim of the tub.
- Waterproof remote control included. Keypad is shipped loose and may be mounted nearby.
- Faucet valves cannot be installed on this tub model.

• Options and accessories may be packaged inside the tub crate. Always check packaging before discarding.  
 • All product measurements are ±1/2".  
 • Specifications and configurations are subject to change without notice.  
 • Measurements herein supersede all others published prior to publication date below.



For more information on options and accessories go to Designer Mineral Composite Tubs Options on mtibaths.com

- Blower & required check valve for airbath must be remote mounted
- Check valve must be installed higher than the rim of the tub.

**Adeline**  
MODEL # 401  
64" x 31" x 21.375"

Hydrotherapy	Package Contents	Part #	MSRP	
<b>Soaker</b>	Soaking bath - no jets. Includes an integrated slotted overflow with toe-tap drain kit.	<b>S401</b>	<b>\$6,960</b>	<b>Crate / Handling Fee Applies</b>
<b>Air Bath</b>	20 air jets, heated air blower, keypad, waterproof remote control, integrated slotted overflow with toe-tap drain kit.	<b>AST401</b>	<b>\$11,385</b>	<b>Crate / Handling Fee Applies</b>

Options
<i>Must be ordered at time of purchase</i>
<b>Standard Colors</b> White, gloss finish only
<b>Quick Ship</b> reduces lead time (QSPRI) <b>\$430</b> <i>Please call for availability</i>

Drains
<i>Must be ordered at the time of purchase</i>
<b>Integrated Overflow and Toe-Tap Drain Kit Finishes</b> PVC drain - White (included with tub) <b>Substitute Finish - No Charge</b> Chrome (MCIOC) Brushed Nickel (MCIOBN) Polished Nickel (MCIOPN)
Brass Tailpiece (WIOBS) <b>\$85</b> in addition to finish charge listed above
Quick Drain Kit (WOQ) <b>\$460</b>

Accessories				
<b>Floor-Mounted High-Flow Tub Filler</b> two designs available				
<table border="0"> <tr> <td>Contemporary Chrome (FILLC) <b>\$1,480</b> Brushed Nickel (FILLBN) <b>\$1,710</b></td> <td>Traditional Chrome (FILLTC) <b>\$1,505</b> Brushed Nickel (FILLTBN) <b>\$1,745</b></td> </tr> </table>	Contemporary Chrome (FILLC) <b>\$1,480</b> Brushed Nickel (FILLBN) <b>\$1,710</b>	Traditional Chrome (FILLTC) <b>\$1,505</b> Brushed Nickel (FILLTBN) <b>\$1,745</b>		
Contemporary Chrome (FILLC) <b>\$1,480</b> Brushed Nickel (FILLBN) <b>\$1,710</b>	Traditional Chrome (FILLTC) <b>\$1,505</b> Brushed Nickel (FILLTBN) <b>\$1,745</b>			
<b>Pillows from \$180</b>				
<b>Teak Bath Mat (TKMAT3018) \$815</b> <i>Custom sizes also available. Contact MTI for details and pricing.</i>				
<b>Tub Tray</b> SculptureStone® – Available in white only Solid without stemware holder (SSTRAY1) <b>\$340</b> Solid with Stemware Holder (SSTRAY2) <b>\$450</b>				
<b>Bathroom Table</b> SculptureStone® <b>Packaging / Handling Fee Applies</b> (TABLE) <b>\$825</b> available in white only <b>+\$430 gloss finish upcharge</b> (SSGLOSSSNK)				
<b>Faucet Stand</b> SculptureStone® Standard <b>Packaging / Handling Fee Applies</b>				
<table border="0"> <tr> <td><b>Small</b> 3-hole capacity <b>14¼" w x 21¾" h</b> Matte (STAND) <b>\$725</b></td> <td><b>Large</b> 5-hole capacity <b>22" w x 21¾" h</b> Matte (STANDL) <b>\$855</b></td> </tr> </table>	<b>Small</b> 3-hole capacity <b>14¼" w x 21¾" h</b> Matte (STAND) <b>\$725</b>	<b>Large</b> 5-hole capacity <b>22" w x 21¾" h</b> Matte (STANDL) <b>\$855</b>		
<b>Small</b> 3-hole capacity <b>14¼" w x 21¾" h</b> Matte (STAND) <b>\$725</b>	<b>Large</b> 5-hole capacity <b>22" w x 21¾" h</b> Matte (STANDL) <b>\$855</b>			
<b>+\$430 gloss finish upcharge</b> (SSGLOSSSNK)				
<b>Premium Faucet Stand</b> SculptureStone® <b>Packaging / Handling Fee Applies</b>				
<table border="0"> <tr> <td><b>15" w x 39" h</b> Matte (SSFSR3915MT) <b>\$2,365</b> Gloss (SSFSR3915GL) <b>\$2,720</b></td> <td><b>10" w x 39" h</b> Matte (SSFSR3910MT) <b>\$2,135</b> Gloss (SSFSR3910GL) <b>\$2,525</b></td> </tr> <tr> <td><b>20" w x 23" h</b> Matte (SSFSR2320MT) <b>\$1,930</b> Gloss (SSFSR2320GL) <b>\$2,315</b></td> <td><b>15" w x 23" h</b> Matte (SSFSR2315MT) <b>\$1,825</b> Gloss (SSFSR2315GL) <b>\$2,180</b></td> </tr> </table>	<b>15" w x 39" h</b> Matte (SSFSR3915MT) <b>\$2,365</b> Gloss (SSFSR3915GL) <b>\$2,720</b>	<b>10" w x 39" h</b> Matte (SSFSR3910MT) <b>\$2,135</b> Gloss (SSFSR3910GL) <b>\$2,525</b>	<b>20" w x 23" h</b> Matte (SSFSR2320MT) <b>\$1,930</b> Gloss (SSFSR2320GL) <b>\$2,315</b>	<b>15" w x 23" h</b> Matte (SSFSR2315MT) <b>\$1,825</b> Gloss (SSFSR2315GL) <b>\$2,180</b>
<b>15" w x 39" h</b> Matte (SSFSR3915MT) <b>\$2,365</b> Gloss (SSFSR3915GL) <b>\$2,720</b>	<b>10" w x 39" h</b> Matte (SSFSR3910MT) <b>\$2,135</b> Gloss (SSFSR3910GL) <b>\$2,525</b>			
<b>20" w x 23" h</b> Matte (SSFSR2320MT) <b>\$1,930</b> Gloss (SSFSR2320GL) <b>\$2,315</b>	<b>15" w x 23" h</b> Matte (SSFSR2315MT) <b>\$1,825</b> Gloss (SSFSR2315GL) <b>\$2,180</b>			



Inside view of tub

