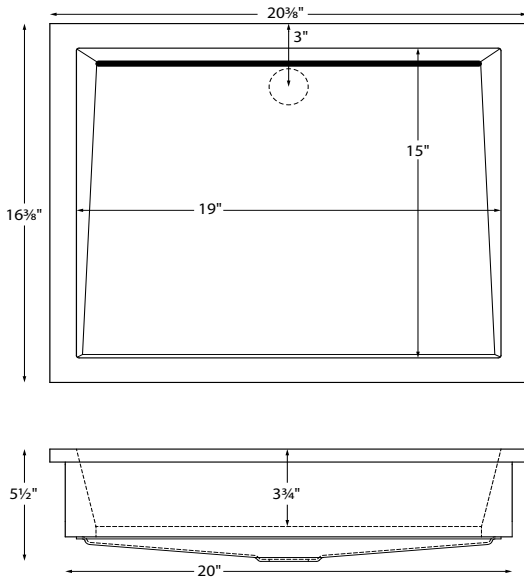




The Incline is an undermount only sink, with a slotted drain at the rear of the bowl.



Due to its handcrafted nature, always measure sink on-site to ensure cut-out accuracy when undermounting.

Incline 1

Model # MTCS-763

20.375" x 16.375" x 5.5"

Bowl Size: 19" x 15"

Material SculptureStone®
Installation undermount only
Shipping Weight 35 lbs.

Sink Options and Pricing
Part #: MTCS763 \$1,540
Packaging / Handling Fee Applies
Standard Color White, matte finish Biscuit Color Upgrade (SSBISNK) \$125 matte finish Additional material colors available for projects only. Please call MTI.
Hand-Polished Deep Gloss Finish Upcharge (SSGLOSSSNK3) \$750 For White or Biscuit
Quick Ship (QSPRI3) \$255 reduces lead time Please call for availability.
Options and Accessories
Drain Kit included with sink with ABS drain trough and chrome finish brass tailpiece.



Drain assembly included with sink.

CONSTRUCTION AND STANDARD FEATURES

- Rear slotted drain design. Sink includes ABS drain trough with tailpiece.
- No overflow available. Check local codes.
- Undermount only. Measure on site to achieve the proper cut-out size.
- Lip detail will accommodate commonly used undermount hardware. Undermount hardware is not included.
- One-piece construction using Engineered SculptureStone® (ESS) material.
- This material is non-porous, stain-, mold- and mildew-resistant.
- Approximately 70% of the material is organic, including minerals mined from the earth, making it "Green".
- Five-Year Limited Residential Warranty.



Also available, Incline Counter-Sink 1, featuring custom-size countertop with integrated bowl. Offered in single and double bowl configurations..

• Before discarding packaging, check for accessories that may be inside.
 • All product measurements are ±1/2".
 • Specifications and configurations are subject to change without notice.
 • Measurements herein supersede all others published prior to publication date below.

