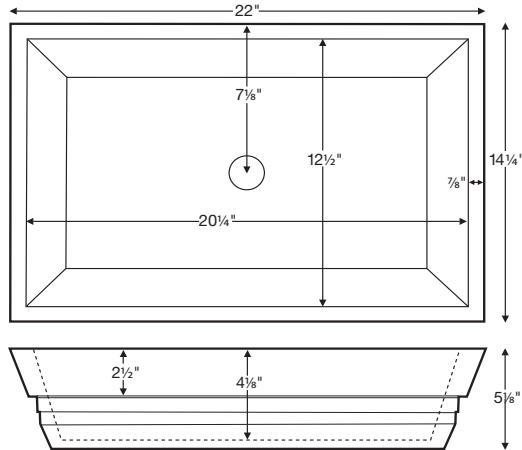




The top 2½" of the semi-recessed sink will rest on the vanity.



Due to its handcrafted nature, always measure sink on-site to ensure cut-out accuracy.

Petra 4 SR

Model # MTCS-731
22" x 14.25" x 5.125"

Material SculptureStone®
Installation semi-recessed
Shipping Weight 33 lbs.

Sink Options and Pricing	
Part #: MTCS731	\$965
Packaging / Handling Fee Applies	
Standard Color White, matte finish	
Biscuit Color Upgrade (SSBISNK) \$125 matte finish	
Additional material colors available for projects only. Please call MTI.	
Hand-Polished Deep Gloss Finish Upcharge (SSGLOSSNK2) \$555	
For White or Biscuit	
Exterior Color \$340 (SSCOLSG) Gloss (SSCOLSM) Matte	
Must specify color code:	
Saphire Blue (SB), Blue Lagoon (BL), Terracotta (TC), Onyx (OX), Nightfall (NF), Stratus Gray (TG), Stormgray (SG), Moonstone (MS)	
Quick Ship (QSPRI3) \$255 reduces lead time	
Please call for availability.	
Options and Accessories	
Teak Sink Tray	
Slatted (TKST1)	\$190
Solid (TKST2)	\$220
Drain Kits	
Finger Touch Drain Without Overflow	
Chrome (DKFGCN)	\$185 , Brushed Nickel (DKFGBNN) \$190
Grid Drain Without Overflow	
Chrome (DKGDCN)	\$115 , Brushed Nickel (DKGDBNN) \$180
Fixed Drain Without Overflow	
Chrome (DKFDC)	\$300
Sink Bottom Cover matching material color	
Matte (BCSMT)	\$280 , Gloss (BCSGL) \$390
Upcharge, Ext. Color for Sink Bottom Cover	Matte (SSCOLSBM) \$260 Gloss (SSCOLSBG) \$260

CONSTRUCTION AND STANDARD FEATURES

- 1.5" drain opening. Comes without an overflow. Check local codes.
- One-piece construction using Engineered SculptureStone® (ESS) material.
- This material is non-porous, stain-, mold- and mildew-resistant.
- Approximately 70% of the material is organic, including minerals mined from the earth, making it "Green".
- Five-Year Limited Residential Warranty.



Also available, Petra Counter-Sink 4, featuring custom-size countertop with integrated bowl. Offered in single or double bowl configurations.

• Before discarding packaging, check for accessories that may be inside.
• All product measurements are ±1/2".
• Specifications and configurations are subject to change without notice.
• Measurements herein supersede all others published prior to publication date below.