



Wymara 1 features a matching drain cover.
See image below for sink with cover removed.

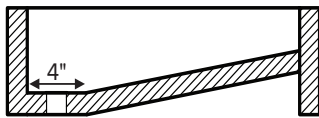
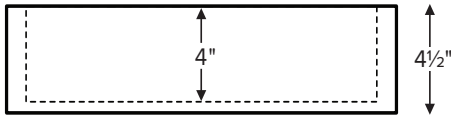
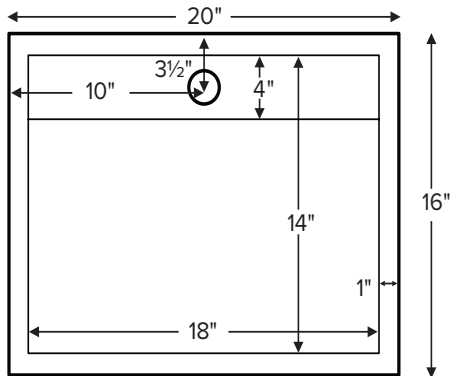
Wymara 1

Model # MTCS-712

20" x 16" x 4.5"

Bowl Size: 18" x 14"

Material SculptureStone®
Installation vessel style
Shipping Weight 35 lbs.



Due to its handcrafted nature, always measure sink on-site to ensure cut-out accuracy.

Sink Options and Pricing	
Part #: MTCS712	\$1,380
Packaging / Handling Fee Applies	
Standard Color White, matte finish	
Biscuit Color Upgrade (SSBISNK) \$125 matte finish	
Additional material colors available for projects only. Please call MTI.	
Hand-Polished Deep Gloss Finish Upcharge (SSGLOSSSNK) \$430	
For White or Biscuit	
Quick Ship (QSPRI3) \$255 reduces lead time	
Please call for availability.	
Options and Accessories	
Teak Sink Tray	
Slatted (TKST1)	\$190
Solid (TKST2)	\$220
Drain Kits	
Finger Touch Drain Without Overflow	
Chrome (DKFGCN)	\$185
Brushed Nickel (DKFGBNN)	\$190
Grid Drain Without Overflow	
Chrome (DKGDCN)	\$115
Brushed Nickel (DKGDBNN)	\$180
Fixed Drain Without Overflow	
Chrome (DKFDC)	\$300

Shown right with drain cover removed.



CONSTRUCTION AND STANDARD FEATURES

- 1.5" drain opening. Comes without an overflow. Check local codes.
- One-piece construction using Engineered SculptureStone® (ESS) material.
- This material is non-porous, stain-, mold- and mildew-resistant.
- Approximately 70% of the material is organic, including minerals mined from the earth, making it "Green".
- Five-Year Limited Residential Warranty.



Also available, Wymara Counter-Sink 1, featuring custom-size countertop with integrated bowl. Offered in single or double bowl configurations. Shown below with drain cover.

• Before discarding packaging, check for accessories that may be inside.
• All product measurements are ±1/2".
• Specifications and configurations are subject to change without notice.
• Measurements herein supersede all others published prior to publication date below.