

ELECTRICAL SPECIFICATIONS

Package	Components Included	GFCI / 110V
Whirlpool	1-bhp pump	1-15 amp
Microbubbles	Microbubbles pump	1-15 amp

See specific option details or installation information.
CSA Certified C/US; ASTM D2565 and Z1241.6 1997

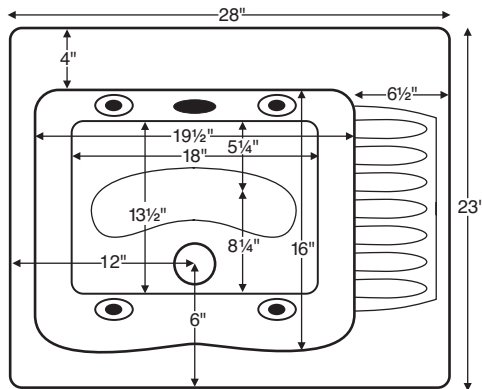


Specialty Collection Foot Spa

Foot Spa 1
MODEL # MTL5-110JP

28" x 23" x 13" / 10.5" deep

Packages	Description	Color	Part #	MSRP
Soaker	Soaking unit - no jets, • Valves are not included	White	MTLS-110JPSW	\$890
		Biscuit	MTLS-110JPSB	\$915
Microbubbles (cannot be combined with whirlpool)	1 microbubbles infusion port, pump and on/off device. • Valves are not included	White	MTLS-110JPMW	\$3,105
		Biscuit	MTLS-110JPMB	\$3,130
Whirlpool (without cleaning system)	4 multi-directional massage jets, 1-bhp pump, 1 suction fitting, on/off device, and silent air volume control. • Valves are not included	White	MTLS-110JPW	\$1,850
		Biscuit	MTLS-110JPB	\$1,875
Whirlpool with Cleaning System (cannot be combined with Virtual Spout high flow filler option)	4 multi-directional massage jets, 1-bhp pump, 1 suction fitting, on/off device, and silent air volume control. • Unit will fill through the jets. No faucet valve required. • Hot/cold valves not included. • Acme in-wall atmospheric vent and Wilkins Dual check valve for backflow prevention ¹ .	White	MTLS-110JPCLW	\$2,840
		Biscuit	MTLS-110JPCLB	\$2,855
Whirlpool with Cleaning System & Valves (cannot be combined with Virtual Spout high flow filler option)	4 multi-directional massage jets, 1-bhp pump, 1 suction fitting, on/off device, and silent air volume control. Single-lever hot/cold valve in chrome finish. • Unit will fill through the jets. No faucet valve required. • Single lever hot/cold valves included. • Acme in-wall atmospheric vent and Wilkins Dual check valve for backflow prevention ¹ .	White	MTLS-110JPCLVW	\$3,185
		Biscuit	MTLS-110JPCLVB	\$3,215



Before ordering or installing, please consider future access to equipment.

Options
Quick Ship / Priority (QUISINKSH) \$215
Ozonator Sanitation System (OZONE) \$515
Virtual Spout (FPMJ) \$450 high flow filler ¹ Cannot be combined with cleaning system.
Accessories
Drain Kit-Cable Driven Drain Chrome (JPDKC) \$205 , Brushed Nickel (JPDKBRN) \$265
Fresh Wave Cleaning Solution Pack of 3 (FFCLBOT) \$125 , Case of 12 (FFCLCASE) \$340

CONSTRUCTION AND STANDARD FEATURES

- Durable cast acrylic shell is extremely scratch- and stain-resistant
- Non-porous, highly renewable surface.
- Ergonomically designed with sloped floor, calf recesses and integral raised stretch bar for feet.
- 2" drain.
- Limited Residential / Commercial Warranty: 1 year

¹ Check local codes for backflow prevention requirements. ZURN® Wilkins dual check valve-ASSE 1024/CSA B64.6. Cash Acme® vacuum breaker ASSE 1001/CSA B64.1.1. Access and spill pan will be required for proper maintenance of vacuum breaker.

• All product measurements are ±1/2".
• Specifications and configurations are subject to change without notice.
• Measurements herein supersede all others published prior to publication date below.

See the Installation & Operation Manual for more details.
MTI's Customer Service Monday-Friday 8am-6pm EST
800-783-8827 or service@mtibaths.com

