

MTI BASICS® Collection Tubs

MBRFSX6636A

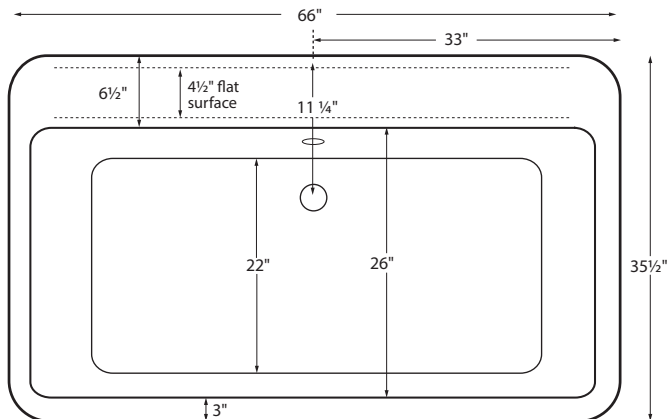
66" x 35.75" x 22.5"

Acrylic Freestanding Tub

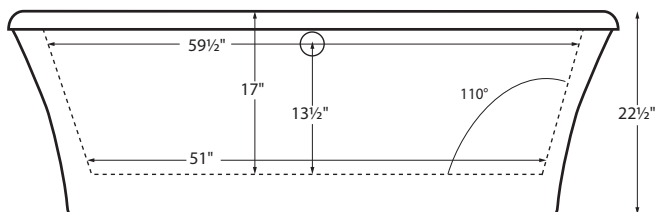
Weight 120 lbs / 54 kg

Max Fill 73 gal to overflow

NOTE: Filling this tub to the maximum may require an above average size or dedicated water heater.



Features a 4.5" wide flat deck surface on the drain side for mounting faucetry.



Access panel

Soaker
Soaking bath - No jets. Includes pre-leveled foam base.
Part # MBSRFSX6636A
Soaker with Virtual Spout
Soaking bath - No jets. Includes Virtual Spout integrated high-flow tub filler (see important ordering information), pre-leveled foam base.
Part # MBRFSX6636AVS

Wilkins Dual Check Valve, model 700XL, ASSE® Listed 1024. CSA® Certified CSA B64.6)

Anti-siphon Cash Acme Vacuum Breaker ASSE1001/CSA B64.1.1

Options Must be ordered at time of purchase

Standard White (no charge)
Color Upgrade: Biscuit (MTISCOLOR)

Quick Ship / Priority Call for availability
 Soaker (QSHIPMTIS)

Quick Connect Drain Kit
 Standard (MBQUICK)
 Cast Iron (MBQUICKCI)

Accessories

Lift and Turn Drain & Overflow
 Chrome (MBWOC)
 White (MBWOW)
 Brushed Nickel (MBWOBN)

Pillows
 Soft Pillow
 White (MBPSW) Black (MBPSB)
 Roll-Up Pillow
 Light Aqua (MBPRUC) Black (MBRUB)

Optional Quick Connect Drain Kit shown below.



Features a larger space underneath the tub for an above floor rough-in for quick and easy installation.

Important Ordering and Installation Information

- Designed to install on a finished floor that is flat and level.
- Features extra space to accommodate plumbing connections.
- Visible access panel is located behind the waste and overflow.
- Access panel dimensions vary according to tub model.
- May be ordered without access panel. Installation may be more difficult.
- The Virtual Spout is installed below the water level of the tub. Wilkins dual check valve and an Acme in-wall vent included. Some areas of the country require additional backflow prevention. Check local codes.
- Options listed cannot be combined with Designer Collection options.

• Before discarding tub crate, check for accessories that may be packaged inside.
 • All product measurements are ±1/2".
 • Specifications and configurations are subject to change without notice.
 • Measurements herein supersede all others published prior to publication date below.

