

Boutique Collection Tubs



Features an integrated overflow.

Alissa

MODEL #: 231

64.75" x 33.5" x 20.75"/22"

GENERAL SPECIFICATIONS

Material - SculptureStone®

Installation - Freestanding

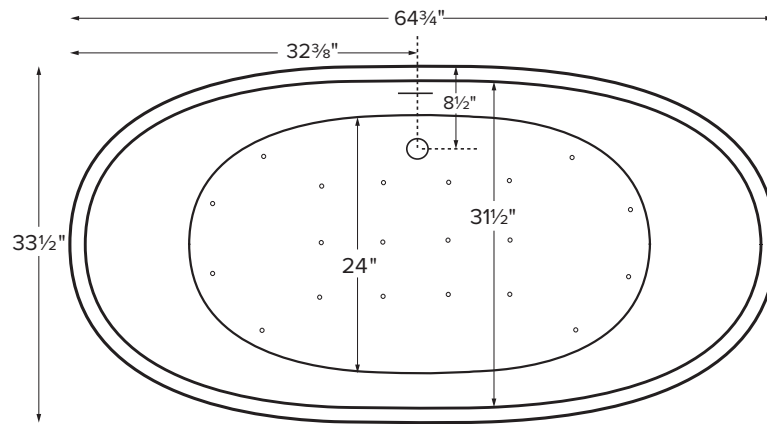
Soaker Weight - 260 lbs / 118 kg

Air Bath Weight - 290 lbs / 132 kg

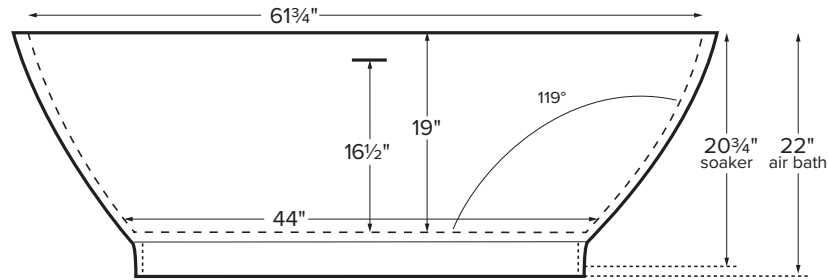
Maximum Fill - 90 gal to overflow

May also be undermounted. Must specify on order. Not recommended as a tub / shower combination.

NOTE: Filling this tub to the maximum may require an above average size or dedicated water heater.



Shown above as an Air Bath.



ELECTRICAL COMPONENTS & SPECIFICATIONS

Required Electrical Service - 110 Volt

Hydrotherapy Package	Components Included	GFCI
Air Massage	heated blower	1-15 amp

CSA Certified C/US; ANSI Z124.1 and ANSI 112.19.7

See the Installation & Operation Manual for more details.

MTI's Customer Service: Monday-Friday 8am-6pm EST

800-783-8827 or service@mtibaths.com

IMPORTANT ORDERING & INSTALLATION INFORMATION

- Before ordering or installing, please consider future access to equipment.
- Includes an integrated overflow with toe tap drain in chrome finish. May be specified without an overflow (see local codes before ordering without an overflow).
- Air baths require job site preparation for remote installation of the blower and required check valve. Check valve must be installed higher than the rim of the tub.
- Waterproof remote control included with air bath. Keypad shipped loose may be remote mounted on nearby surface/wall.
- Faucet valves cannot be mounted on this tub model.

- Before discarding tub crate, check for accessories that may be packaged inside.
- All product measurements are $\pm 1/2"$.
- Specifications and configurations are subject to change without notice.
- Measurements herein supersede all others published prior to publication date below.

CSA # MTCT-231

©2022 by MTI Baths, Inc. Modification Rights Reserved

1 of 2



Rev. 01 25 2022

For more information on options and accessories go to SculptureStone® Tubs Options on mtibaths.com

Alissa

MODEL #: 231

64.75" x 33.5" x 20.75"/22"

- Blower & required check valve for airbath must be remote mounted. Check valve must be installed higher than the rim of the tub.
- See the Installation & Operation Manual for more details.

Hydrotherapy	Package Contents	Part #	MSRP	
Soaker	Soaking bath - no jets. Includes an integrated slotted overflow with a toe-tap drain kit.	S231	\$8,335	Crate / Handling Fee Applies
Air Bath	20 air jets, heated air blower, keypad, waterproof remote control, integrated slotted overflow with a toe-tap drain kit.	AST231	\$13,725	Crate / Handling Fee Applies

Options <small>Must be ordered at time of purchase</small>
Quick Ship (QSPRI2) \$1,025 reduces lead time <i>Please call for availability</i>
Standard Color White, matte finish Biscuit Color Upgrade (SSBI) \$310 matte finish <i>Additional material colors available for projects only. Please call MTI.</i>
Hand-Polished Deep Gloss Finish (SSGLOSS) \$1,040 upcharge For white or biscuit
Exterior Color \$1,760 (SSCOLTG) Gloss Finish (SSCOLTM) Matte Finish Must specify color code: Sapphire Blue (SB), Blue Lagoon (BL), Terracotta (TC), Onyx (OX), Nightfall (NF), Stratus Gray (TG), Stormgray (SG), Moonstone (MS) <i>Adds 20 business days to standard lead time.</i>

Accessories
Teak Bath Mat (TKMAT3018) \$815 Measures 30" x 17.5" x 1" <i>Custom sizes also available. Contact MTI for details.</i>
Floor-Mounted High-Flow Tub Filler Contemporary Chrome (FILLC) \$1,480 Br. Nickel (FILLBN) \$1,710 Traditional Chrome (FILLTC) \$1,505 Br. Nickel (FILLTBN) \$1,745
SculptureStone® Tub Tray Without Stemware Holder (SSTRAY1) \$340 With Stemware Holder (SSTRAY2) \$450 <i>Color and finish will come matched with tub</i>
Teak Tub Tray Slatted (TK-TRAY1) \$500 Solid (TK-TRAY2) \$570 <i>Order with tub for best fit</i>

Drains & Overflow Kits Must be ordered at time of purchase

Toe Tap Drain Cover Finishes
PVC drain - Chrome included
+**\$50** upcharge Br. Nickel (WIOBN), Pol. Nickel (WIOPN)
+**\$85** upcharge Matte Black (WIOMB)
+**\$105** upcharge Oil-Rubbed Bronze* (WIOOR)
+**\$640** upcharge Special Finish* (WIOSF)
Send finish sample to MTI Baths for best match.

Boutique Accessories Packaging / Handling Fee Applies
SculptureStone® Bathroom Table (TABLE) \$825 matte finish + \$430 gloss finish upcharge (SSGLOSSSNK) <i>Order with tub for best color match</i>
SculptureStone® Standard Faucet Stand Small - 3-hole capacity 14¼" w x 21¾" h Matte (STAND) \$725 Large - 5-hole capacity 22" w x 21¾" h Matte (STANDL) \$855 + \$430 gloss finish upcharge (SSGLOSSSNK)
SculptureStone® Premium Faucet Stand 15" w x 39" h Matte (SSFSR3915MT) \$2,365 Gloss (SSFSR3915GL) \$2,720 10" w x 39" h Matte (SSFSR3910MT) \$2,135 Gloss (SSFSR3910GL) \$2,525 20" w x 23" h Matte (SSFSR2320MT) \$1,930 Gloss (SSFSR2320GL) \$2,315 15" w x 23" h Matte (SSFSR2315MT) \$1,825 Gloss (SSFSR2315GL) \$2,180
SculptureStone® Premium Component Stand 20" l x 22.5" h Matte (SSPX1MT) \$2,000 Gloss (SSPX1GL) \$2,640 <i>Compatible with select tub models.</i> <i>Go to www.mtibaths.com</i>

Toe Tap SculptureStone® Drain Cover Finishes
Upgrade is in lieu of standard chrome to tap drain cover.
White only
+**\$90** upcharge Matte Finish (SSWIOMT)
+**\$110** upcharge Gloss Finish (SSWIOGL)
Brass Tailpiece (WIOBS) **\$85** in addition to finish charge listed above
Quick Drain Kit (WOQ) **\$460**

* MTI has selected an oil-rubbed bronze finish that is compatible with Delta and many other manufacturers. To ensure best match, order as a Special Finish and submit a sample.
CSA # MTCT-231

* Allow 2-4 weeks lead time for Special Finishes.
Send sample for best match.

