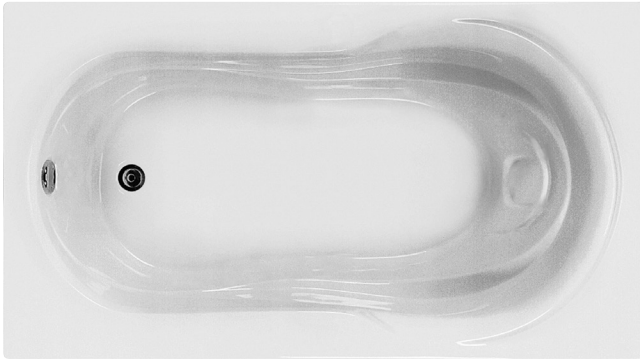
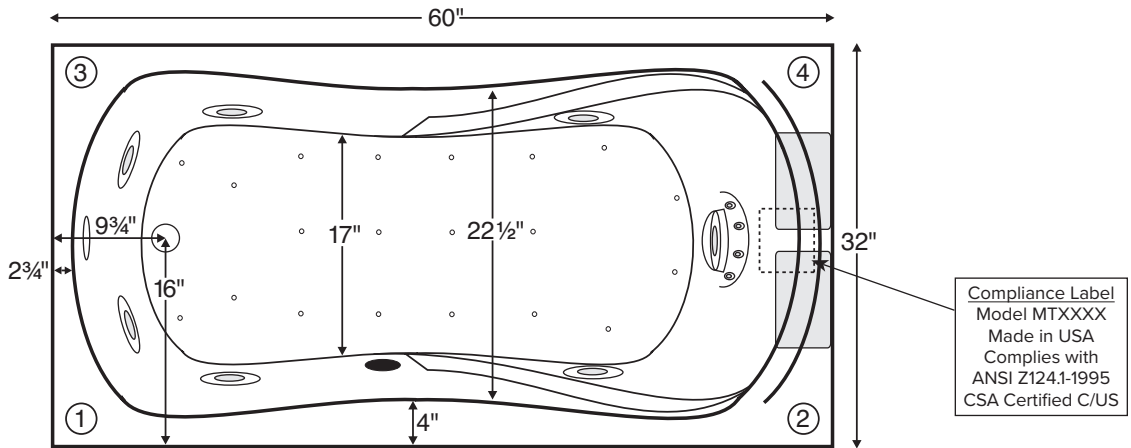


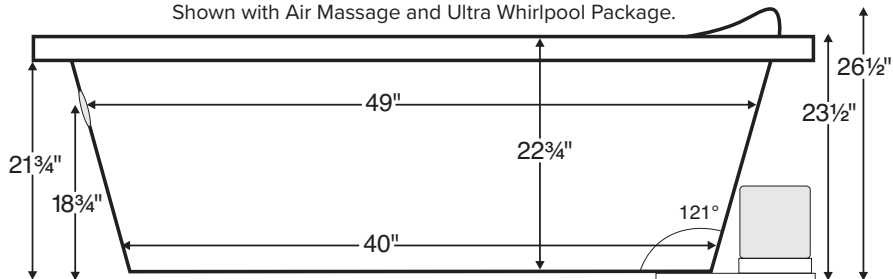
Reflection 4



| | | |
|--|-----------|-------------------|
| MODEL 51 | | |
| 60" x 32" x 23.5" | | |
| DROP-IN (cannot be undermounted) <i>Not recommended as a tub/shower combination</i> 70 gal to overflow | | |
| Acrylic CXL™ | | DoloMatte™ |
| 100 lbs / 45 kg | <SOAKER> | 113 lbs / 51 kg |
| 150 lbs / 68 kg | <PLUMBED> | 163 lbs / 74 kg |
| Filling this tub to the maximum may require an above average size or dedicated water heater. | | |



Numbered areas on tub deck represent possible locations to install cleaning systems, faucets and other fixtures. Shown with Air Massage and Ultra Whirlpool Package.



IMPORTANT: Air baths and tubs with a pre-leveled foam base or frame system add 2-3" to overall tub height.

IMPORTANT ORDERING & INSTALLATION INFORMATION

- Before ordering or installing, please consider future access to equipment.
- Add proper bedding compound to fully level and support bottom of tub.
- When equipped with an air bath package, pre-leveled foam base or frame system, overall tub height is increased by approx. 2-3" and is designed to install on a flat, level subfloor.
- Radiance placed on airbath floor will affect placement of air jets.
- System components may extend beyond the perimeter of deck.
- Please measure tub **on-site** before building tub decking.
- Advise MTI when planning to use a glass enclosure. Relocation of controls may be necessary.
- Suction and control locations may vary.

ELECTRICAL COMPONENTS & SPECIFICATIONS

| Hydrotherapy Package | Components Included | GFCI / 110V |
|---|---|-------------|
| Standard Whirlpool | 2-bhp pump | 1-15 amp |
| Stream Bath | ½-bhp, ozone | 1-20 amp |
| Microbubbles | Microbubbles pump | 1-15 amp |
| Ultra Whirlpool | 3-bhp pump, inline heater, ozone | 2-15 amp |
| Air Massage | heated blower | 1-15 amp |
| Air Massage Elite | heated blower, chromatherapy | 1-15 amp |
| Air Massage w/ Stream Bath | ½-bhp pump, heated blower, ozone | 1-20 amp |
| Air Massage Elite w/ Stream Bath | ½-bhp pump, heated blower, chromatherapy, ozone | 1-20 amp |

Electrical requirements may change with the addition of optional therapy components. See specific option details or installation information.
CSA Certified C/US; ANSI Z124.1 and ANSI 112.19.7

| Hydrotherapy Package | Components Included | GFCI / 110V |
|---------------------------------------|--|-------------|
| Microbubbles with Air | Microbubbles pump, heated blower | 1-20 amp |
| Microbubbles with Air Elite | Microbubbles pump, heated blower, chromatherapy | 2-15 amp |
| Air with Whirlpool | 2-bhp pump, heated blower | 2-15 amp |
| Air with Ultra Whirlpool | 3-bhp pump, inline heater, heated blower, ozone | 2-20 amp |
| Air Elite with Whirlpool | 2-bhp pump, heated blower, chromatherapy | 2-15 amp |
| Air Elite with Ultra Whirlpool | 3-bhp pump, inline heater, heated blower, chromatherapy, ozone | 2-20 amp |

See the Installation & Operation Manual for more details.
MTI's Customer Service Monday-Friday 8am-6pm EST
800-783-8827 or service@mtibaths.com

- Before discarding tub crate, check for accessories that may be packaged inside.
- All product measurements are ±1/2".
- Specifications and configurations are subject to change without notice.
- Measurements herein supersede all others published prior to publication date below.



- Aromatherapy is eliminated for undermount applications
- Air Baths, Pre-Levelled Foam Base or Frame Systems increase overall height by 2-3".

Reflection 4
 MODEL 51
 60" x 32" x 23.5"

| Hydrotherapy Packages | Package Contents | Acrylic CXL™ | | DoloMatte™ | |
|---|---|--------------|----------|------------|----------|
| | | Part # | MSRP | Part # | MSRP |
| Soaker | Soaking bath - no jets | S51 | \$2,530 | S51DM | \$3,130 |
| Stream Bath | 6 side vents, 2 end vents, 1/2 bhp pump, Ozone | SM51 | \$5,075 | SM51DM | \$5,675 |
| Microbubbles | 1 microbubbles infusion port and pump | M51 | \$5,850 | M51DM | \$6,450 |
| Air Massage | 20 air jets, heated air blower, Aromatherapy, pre-leveled foam base | AST51 | \$6,180 | AST51DM | \$6,780 |
| Air Massage Elite | 30 air jets, heated air blower, Aromatherapy, Chromatherapy LED lighting, Spa Mode, pre-leveled foam base | AE51 | \$8,080 | AE51DM | \$8,680 |
| Stream Bath with Air Massage | 6 side vents, 2 end vents, 1/2 bhp pump, Ozone, 20 air jets, heated air blower, Aromatherapy, pre-leveled foam base | ASTSM51 | \$8,225 | ASTSM51DM | \$8,825 |
| Stream Bath with Air Massage Elite | 6 side vents, 2 end vents, 1/2 bhp pump, Ozone, 30 air jets, heated air blower, Aromatherapy, Chromatherapy LED lighting, Spa Mode, pre-leveled foam base | AESM51 | \$10,325 | AESM51DM | \$10,925 |
| Microbubbles with Air Massage | 1 microbubbles infusion port and pump, 20 air jets, heated air blower, Aromatherapy, pre-leveled foam base | ASTM51 | \$8,900 | ASTM51DM | \$9,500 |
| Microbubbles with Air Massage Elite | 1 microbubbles infusion port and pump, 30 air jets, heated air blower, Aromatherapy, Chromatherapy LED lighting, Spa Mode, pre-leveled foam base | AEM51 | \$10,700 | AEM51DM | \$11,300 |
| Standard Whirlpool | 5 point-massage jets, 2-bhp pump | P51 | \$4,895 | P51DM | \$5,495 |
| Ultra Whirlpool | 7 point-massage jets, 4 micro-jets, 3-bhp pump, inline heater, Ozone | P51U | \$6,890 | P51UDM | \$7,490 |
| Air Massage with Standard Whirlpool | 5 point-massage jets, 2-bhp pump, 20 air jets, heated air blower, Aromatherapy, pre-leveled foam base | AW51 | \$8,545 | AW51DM | \$9,145 |
| Air Massage with Ultra Whirlpool | 7 point-massage jets, 4 micro-jets, 3-bhp pump, inline heater, 20 air jets, heated air blower, Aromatherapy, Ozone, pre-leveled foam base | AU51 | \$10,540 | AU51DM | \$11,140 |
| Air Massage Elite with Standard Whirlpool | 5 point-massage jets, 2-bhp pump, 30 air jets, heated air blower, Aromatherapy, Chromatherapy LED lighting, Spa Mode, pre-leveled foam base | AEAP51 | \$10,445 | AEAP51DM | \$11,045 |
| Air Massage Elite with Ultra Whirlpool | 7 point-massage jets, 4 micro-jets, 3-bhp pump, inline heater, 30 air jets, heated air blower, Aromatherapy, Ozone, Chromatherapy LED lighting, Spa Mode, pre-leveled foam base | AEAP51U | \$11,540 | AEAP51UDM | \$12,140 |

RECOMMENDED SENSORY THERAPIES

Chromatherapy

(LE) **\$800** underwater lighting
 2 LED lights included

Audiotherapy

(STEREOBT) **\$1,390** 2 transducers with bluetooth and amplifier
 (BTREMOTE) **\$600** bluetooth remote

(STEREOH202) **\$1,575** 4 transducers amplifier not included

Thermaltherapy

(RAD100) **\$1,595** Radiance®
 2 heated zones included
 (HTISOAK) **\$825**



For more information on options and accessories go to Acrylic Tub Options at mtbaths.com

Reflection 4
MODEL 51

| |
|---|
| Options <i>Must be ordered at time of purchase.</i> |
| Standard Colors White (CWH) Biscuit (CBS) <i>Please call for availability of special colors.</i> |
| Quick Ship reduces lead time (QSPRI) \$430 <i>Please call for availability</i> |
| Inline Heater maintains water temperature For Soaker or Air Baths (HTISOAK) \$825 Includes a recirculating pump <i>Cannot be combined with Microbubbles.</i> |
| Virtual Spout high-flow integrated tub filler (FPMJ) \$450 <i>Must specify stub-out location on order. See page 1 for location options.</i> |
| Grab Bars from \$330 <i>Selections vary. Personalization available.</i> |
| Textured, Slip-Resistant Bottom (TXTBTM) \$105 Compliant with ASTM C 1028-07 friction coefficient. |

| |
|---|
| Accessories |
| Pillows from \$180 |
| Teak Bath Mat (TKMAT3018) \$815 <i>Custom sizes also available. Contact MTI for details and pricing.</i> |

| |
|--|
| Hydrotherapy Equipment & Cleaning Systems <i>Must be ordered at time of purchase.</i> |
| Inline Heater maintains water temperature For Whirlpools or Stream Bath (HTI) \$570 Uses existing pump <i>Cannot be combined with Microbubbles.</i> |
| Whirlpool Cleaning Systems Fill-Flush (FFSO) \$590 Simple Touch (FFE) \$1,020 <i>Must specify stub-out location on order. See page 1 for location options.</i> |
| Whirlpool Jets Pump upgrade may be advisable for optimal performance when adding jets. Point-Massage Jet Extra Point-Massage Jet (EJ) \$315 Micro-Jet from \$360 <i>Jet styles and packages vary. Personalization available.</i> Pump Upgrade - 3-bhp (PUMP3) \$315 |
| Jet Trim Kits For Standard Whirlpool Chrome (TRC) \$270 , Brushed Nickel (TRBN) \$725 For Ultra Whirlpool Chrome (TRCU) \$370 , Brushed Nickel (TRBNU) \$960 <i>Other finishes available.</i> |
| Ozonator (OZONE) \$515 <i>Cannot be added to soakers or airbaths without combination hydrotherapy package or HTISOAK.</i> |

| |
|---|
| Installation Options <i>Must be ordered at time of purchase.</i> |
| Pre-Leveled Foam Base (PLFOAM) \$295 All airbaths include a pre-leveled foam base. |
| Pre-Leveled Frame and Foam Base (PLF) \$740 |
| Pre-Leveled Frame and Foam Base with Skirting (Acrylic CXL™ tubs only) <i>For pricing and details go to mtbaths.com</i> |
| Tile Flange Factory-Installed on 3 sides - rigid ABS (TFK3) \$200 Field Install Kit - includes rigid ABS & adhesive (TFKNI) \$185 IMPORTANT: <i>Must specify flange location(s) on order of Factory-Installed Flange. Not available with optional Low-Profile Rim.</i> |

| |
|---|
| Drains & Overflow Kits |
| Cable Driven Drain Finishes – PVC Drain Kit White/Bone/Biscuit (WOCDW) \$440 Chrome (WOC) \$410 Brushed Nickel (WOCDBN) \$490 Polished Nickel (WOCDPN) \$540 Oil-Rubbed Bronze* (WOCBOR) \$550 Polished Brass (WOCDBR) \$690 Special Finishes* (WOCDSF) \$1,135 <i>MTI does not offer a brass body cable drain kit.</i> |
| Toe Tap Round Overflow – PVC Drain Kit Chrome (WOTTC) \$380 Brushed Nickel (WOTTBN) \$385 Polished Nickel (WOTTPN) \$385 Special Finishes* (WOTTSF) \$1,145 Round Overflow – Solid Brass Drain Chrome (WOTTSBC) \$810 Brushed Nickel (WOTTSBBN) \$810 Polished Nickel (WOTTSBPN) \$810 |
| Lift & Turn Drain Finishes – PVC Drain Kit Chrome (WOC) \$185 White (WOW) \$245 Brushed Nickel (WOB) \$305 |

* MTI has selected an oil-rubbed bronze finish that is compatible with Delta and many other manufacturers. To ensure best match, order as a Special Finish and submit a sample.

* Allow 2-4 weeks lead time for Special Finishes. Send sample for best match.