



Features an integrated overflow.

## Boutique Collection Tubs

### Maddux Drop-In

MODEL #: 161A

65.375" x 31" x 20.5"

#### GENERAL SPECIFICATIONS

**Material** - SculptureStone®

**Installation** - Drop-In / Alcove

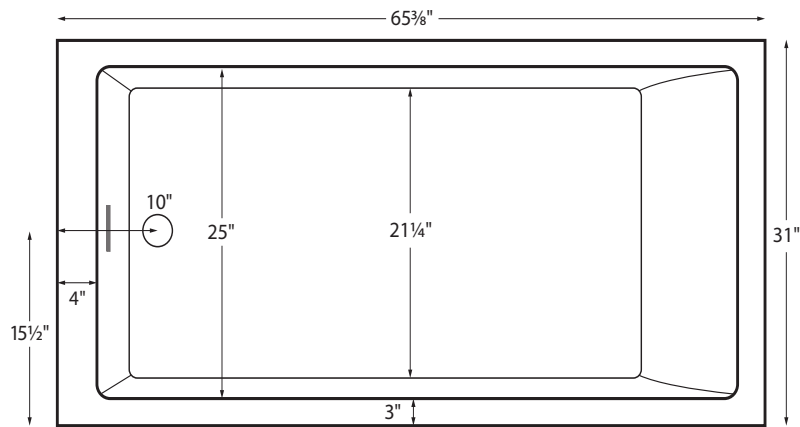
**Soaker Weight** - 346 lbs / 157 kg

**Air Bath Weight** - 376 lbs / 171 kg

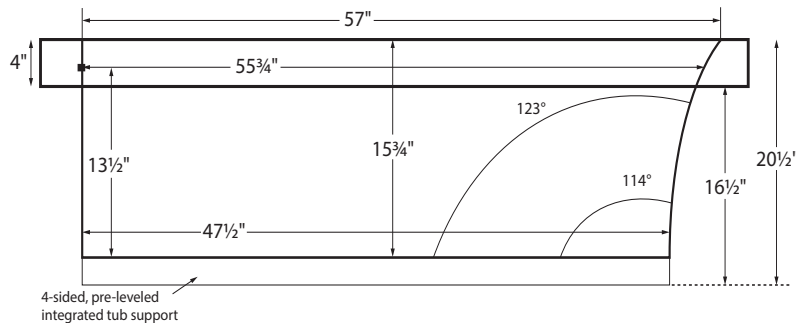
**Maximum Fill** - 90 gal to overflow

May also be undermounted. Must specify on order. Not recommended as a tub / shower combination.

*NOTE: Filling this tub to the maximum may require an above average size or dedicated water heater.*



Shown above as a Soaker.



#### ELECTRICAL COMPONENTS & SPECIFICATIONS

**Required Electrical Service** - 110 Volt

| Hydrotherapy Package | Components Included | GFCI     |
|----------------------|---------------------|----------|
| <b>Air Massage</b>   | heated blower       | 1-15 amp |

CSA Certified C/US; ANSI Z124.1 and ANSI 112.19.7

See the Installation & Operation Manual for more details.  
MTI's Customer Service: Monday-Friday 8am-6pm EST  
**800-783-8827** or [service@mtibaths.com](mailto:service@mtibaths.com)

#### IMPORTANT ORDERING & INSTALLATION INFORMATION

- Before ordering or installing, please consider future access to equipment.
- Standard rim height on drop-in models is 4". Over 4" available upon request.
- Pre-leveled integral pedestal supports tub on a flat, level subfloor.
- Includes an integrated overflow with toe tap drain kit. May be specified without an overflow (see local codes before ordering without an overflow).
- Air baths require job site preparation for remote installation of the blower and required check valve. Check valve must be installed higher than the rim of the tub.
- Waterproof remote control included with air bath. Keypad shipped loose may be remote mounted on nearby surface/wall.
- Faucet valves cannot be mounted on this tub model.

- Before discarding tub crate, check for accessories that may be packaged inside.
- All product measurements are  $\pm 1/2"$ .
- Specifications and configurations are subject to change without notice.
- Measurements herein supersede all others published prior to publication date below.

CSA # MTCT-161A

©2022 by MTI Baths, Inc. Modification Rights Reserved

1 of 2



Rev. 01/19/2022

For more information on options and accessories go to SculptureStone® Tubs Options on mtibaths.com

Maddux Drop-In  
 MODEL #: 161A  
 65.375" x 31" x 20.5"

- Blower & required check valve for airbath must be remote mounted. Check valve must be installed higher than the rim of the tub.
- See the Installation & Operation Manual for more details.

| Hydrotherapy | Package Contents   | Part #  | MSRP     |                              |
|--------------|--|---------|----------|------------------------------|
| Soaker       | Soaking bath - no jets. Includes an integrated slotted overflow with a toe-tap drain kit.                                | S161A   | \$10,650 | Crate / Handling Fee Applies |
| Air Bath     | 20 air jets, heated air blower, keypad, waterproof remote control, integrated slotted overflow with a toe-tap drain kit. | AST161A | \$16,040 | Crate / Handling Fee Applies |

| Options <small>Must be ordered at time of purchase</small>  |
|---|
| Quick Ship (QSPRI2) <b>\$1,025</b> reduces lead time<br><i>Please call for availability</i>   |
| Standard Color White, matte finish<br>Biscuit Color Upgrade (SSBI) <b>\$310</b> matte finish<br><i>Additional material colors available for projects only. Please call MTI.</i>   |
| Hand-Polished Deep Gloss Finish (SSGLOSS2) <b>\$795</b> upcharge<br>For white or biscuit  |
| Tile Flange - Factory Installed<br>1 Side (TFK1) <b>\$175</b> , 2 Side (TFK2) <b>\$185</b> , 3 Side (TFK3) <b>\$200</b><br><i>Must specify flange location(s) upon ordering</i><br>Field Install Tile Flange Kit (TFKNI) <b>\$185</b><br><i>Includes adhesive</i> |

| Accessories   |
|---|
| Teak Bath Mat (TKMAT3018) <b>\$815</b> Measures 30" x 17.5" x 1"<br><i>Custom sizes also available. Contact MTI for details.</i>  |
| SculptureStone® Tub Tray<br>Without Stemware Holder (SSTRAY1) <b>\$340</b><br>With Stemware Holder (SSTRAY2) <b>\$450</b><br><i>Color and finish will come matched with tub</i> |
| <b>Teak Tub Tray</b><br>Slatted (TK-TRAY1) <b>\$500</b> Solid (TK-TRAY2) <b>\$570</b><br><i>Order with tub for best fit</i>   |

| Boutique Accessories<br>Packaging / Handling Fee Applies   |
|--|
| SculptureStone® Bathroom Table (TABLE) <b>\$825</b> matte finish<br><b>+\$430</b> gloss finish upcharge (SSGLOSSSNK)<br><i>Order with tub for best color match</i> |

**Drains & Overflow Kits** Must be ordered at time of purchase

| Toe Tap Drain Cover Finishes   |
|--|
| PVC drain - Chrome included<br><b>+\$50</b> upcharge Br. Nickel (WIOBN), Pol. Nickel (WIOPN)<br><b>+\$85</b> upcharge Matte Black (WIOMB)<br><b>+\$105</b> upcharge Oil-Rubbed Bronze* (WIOOR)<br><b>+\$640</b> upcharge Special Finish* (WIOSF)<br><i>Send finish sample to MTI Baths for best match.</i> |

| Toe Tap SculptureStone® Drain Cover Finishes  |
|---|
| Upgrade is in lieu of standard chrome to tap drain cover.<br>White only<br><b>+\$90</b> upcharge Matte Finish (SSWIOMT)<br><b>+\$110</b> upcharge Gloss Finish (SSWIOGL)<br>Brass Tailpiece (WIOBS) <b>\$85</b> in addition to finish charge listed above<br>Quick Drain Kit (WOQ) <b>\$460</b> |

\* MTI has selected an oil-rubbed bronze finish that is compatible with Delta and many other manufacturers. To ensure best match, order as a Special Finish and submit a sample.  
 CSA # MTCT-161A

\* Allow 2-4 weeks lead time for Special Finishes. Send sample for best match.

