



Features an integrated overflow.

**Elise**

MODEL #: 235

73.25" x 42.5" x 23 1/4"

**GENERAL SPECIFICATIONS**

**Material** - SculptureStone®

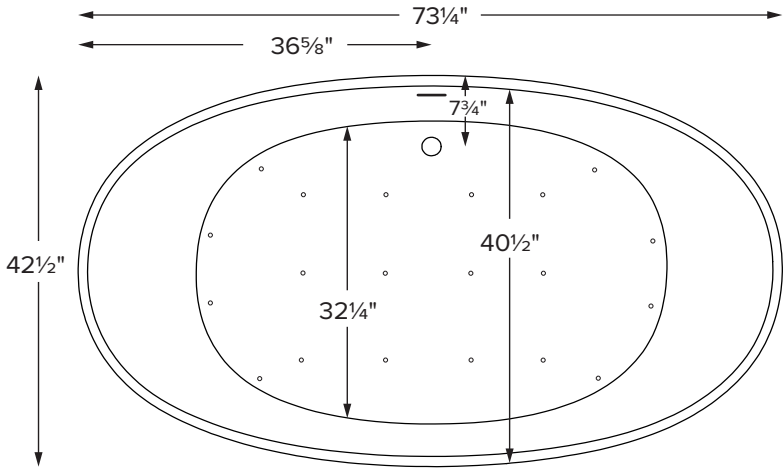
**Installation** - Freestanding

**Soaker Weight** - 350 lbs / 159 kg

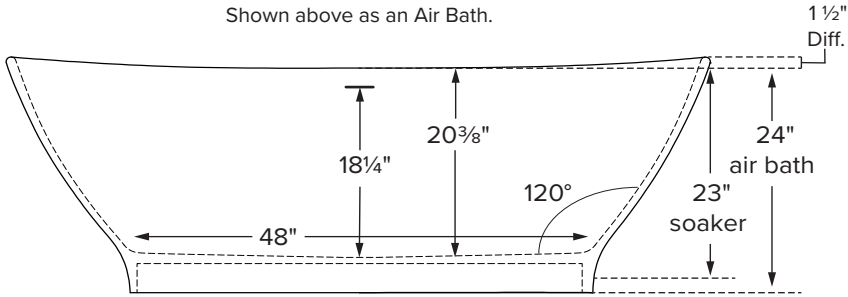
**Air Bath Weight** - 380 lbs / 172 kg

**Maximum Fill** - 140 gal to overflow

*NOTE: Filling this tub to the maximum may require an above average size or dedicated water heater.*



Shown above as an Air Bath.



ELECTRICAL COMPONENTS & SPECIFICATIONS		
Required Electrical Service - 110 Volt		
Hydrotherapy Package	Components Included	GFCI
Air Massage	heated blower	1-15 amp
CSA Certified C/US; ANSI Z124.1 and ANSI 112.19.7		

See the Installation & Operation Manual for more details.  
 MTI's Customer Service: Monday-Friday 8am-6pm EST  
 800-783-8827 or service@mtibaths.com

**IMPORTANT ORDERING & INSTALLATION INFORMATION**

- Before ordering or installing, please consider future access to equipment.
- Includes an integrated overflow with toe tap drain in chrome finish. May be specified without an overflow (see local codes before ordering without an overflow).
- Air baths require job site preparation for remote installation of the blower and required check valve. Check valve must be installed higher than the rim of the tub.
- Waterproof remote control included with air bath. Keypad shipped loose may be remote mounted on nearby surface/wall.
- Faucet valves cannot be mounted on this tub model.

• Before discarding tub crate, check for accessories that may be packaged inside.  
 • All product measurements are ±1/2".  
 • Specifications and configurations are subject to change without notice.  
 • Measurements herein supersede all others published prior to publication date below.



For more information on options and accessories go to SculptureStone® Tubs Options on mtibaths.com

Elise

MODEL #: 235

73.25" x 42.5" x 23"/24"

- Blower & required check valve for airbath must be remote mounted. Check valve must be installed higher than the rim of the tub.
- See the Installation & Operation Manual for more details.

Hydrotherapy	Package Contents	Part #	MSRP	
<b>Soaker</b>	Soaking bath - no jets. Includes an integrated slotted overflow with a toe-tap drain kit.	<b>S235</b>	<b>\$9,185</b>	<b>Crate / Handling Fee Applies</b>
<b>Air Bath</b>	20 air jets, heated air blower, keypad, waterproof remote control, integrated slotted overflow with a toe-tap drain kit.	<b>AST235</b>	<b>\$14,575</b>	<b>Crate / Handling Fee Applies</b>

Options <small>Must be ordered at time of purchase</small>
Quick Ship (QSPRI2) <b>\$1,025</b> reduces lead time <i>Please call for availability</i>
Standard Color White, matte finish Biscuit Color Upgrade (SSBI) <b>\$310</b> matte finish <i>Additional material colors available for projects only. Please call MTI.</i>
Hand-Polished Deep Gloss Finish (SSGLOSS) <b>\$1,040</b> upcharge For white or biscuit

Accessories		
Teak Bath Mat (TKMAT3018) <b>\$815</b> Measures 30" x 17.5" x 1" <i>Custom sizes also available. Contact MTI for details.</i>		
Floor-Mounted High-Flow Tub Filler <table border="0"> <tr> <td>Contemporary Chrome (FILLC) <b>\$1,480</b> Br. Nickel (FILLBN) <b>\$1,710</b></td> <td>Traditional Chrome (FILLTC) <b>\$1,505</b> Br. Nickel (FILLTBN) <b>\$1,745</b></td> </tr> </table>	Contemporary Chrome (FILLC) <b>\$1,480</b> Br. Nickel (FILLBN) <b>\$1,710</b>	Traditional Chrome (FILLTC) <b>\$1,505</b> Br. Nickel (FILLTBN) <b>\$1,745</b>
Contemporary Chrome (FILLC) <b>\$1,480</b> Br. Nickel (FILLBN) <b>\$1,710</b>	Traditional Chrome (FILLTC) <b>\$1,505</b> Br. Nickel (FILLTBN) <b>\$1,745</b>	
SculptureStone® Tub Tray Without Stemware Holder (SSTRAY1) <b>\$340</b> With Stemware Holder (SSTRAY2) <b>\$450</b> <i>Color and finish will come matched with tub</i>		
<b>Teak Tub Tray</b> Slatted (TK-TRAY1) <b>\$500</b> Solid (TK-TRAY2) <b>\$570</b> <i>Order with tub for best fit</i>		

**Drains & Overflow Kits** Must be ordered at time of purchase

Toe Tap Drain Cover Finishes
PVC drain - Chrome included + <b>\$50</b> upcharge Br. Nickel (WIOBN), Pol. Nickel (WIOPN) + <b>\$85</b> upcharge Matte Black (WIOMB) + <b>\$105</b> upcharge Oil-Rubbed Bronze* (WIOOR) + <b>\$640</b> upcharge Special Finish* (WIOSF) <i>Send finish sample to MTI Baths for best match.</i>

\* MTI has selected an oil-rubbed bronze finish that is compatible with Delta and many other manufacturers. To ensure best match, order as a Special Finish and submit a sample.  
CSA # MTCT-235  
©2022 by MTI Baths, Inc. Modification Rights Reserved

Boutique Accessories				
<b>Packaging / Handling Fee Applies</b>				
SculptureStone® Bathroom Table (TABLE) <b>\$825</b> matte finish + <b>\$430</b> gloss finish upcharge (SSGLOSSNK) <i>Order with tub for best color match</i>				
SculptureStone® Standard Faucet Stand <table border="0"> <tr> <td>Small - 3-hole capacity 14¼" w x 21¾" h Matte (STAND) <b>\$725</b></td> <td>Large - 5-hole capacity 22" w x 21¾" h Matte (STANDL) <b>\$855</b></td> </tr> </table> + <b>\$430</b> gloss finish upcharge (SSGLOSSNK)	Small - 3-hole capacity 14¼" w x 21¾" h Matte (STAND) <b>\$725</b>	Large - 5-hole capacity 22" w x 21¾" h Matte (STANDL) <b>\$855</b>		
Small - 3-hole capacity 14¼" w x 21¾" h Matte (STAND) <b>\$725</b>	Large - 5-hole capacity 22" w x 21¾" h Matte (STANDL) <b>\$855</b>			
SculptureStone® Premium Faucet Stand <table border="0"> <tr> <td><b>15" w x 39" h</b> Matte (SSFSR3915MT) <b>\$2,365</b> Gloss (SSFSR3915GL) <b>\$2,720</b></td> <td><b>10" w x 39" h</b> Matte (SSFSR3910MT) <b>\$2,135</b> Gloss (SSFSR3910GL) <b>\$2,525</b></td> </tr> <tr> <td><b>20" w x 23" h</b> Matte (SSFSR2320MT) <b>\$1,930</b> Gloss (SSFSR2320GL) <b>\$2,315</b></td> <td><b>15" w x 23" h</b> Matte (SSFSR2315MT) <b>\$1,825</b> Gloss (SSFSR2315GL) <b>\$2,180</b></td> </tr> </table>	<b>15" w x 39" h</b> Matte (SSFSR3915MT) <b>\$2,365</b> Gloss (SSFSR3915GL) <b>\$2,720</b>	<b>10" w x 39" h</b> Matte (SSFSR3910MT) <b>\$2,135</b> Gloss (SSFSR3910GL) <b>\$2,525</b>	<b>20" w x 23" h</b> Matte (SSFSR2320MT) <b>\$1,930</b> Gloss (SSFSR2320GL) <b>\$2,315</b>	<b>15" w x 23" h</b> Matte (SSFSR2315MT) <b>\$1,825</b> Gloss (SSFSR2315GL) <b>\$2,180</b>
<b>15" w x 39" h</b> Matte (SSFSR3915MT) <b>\$2,365</b> Gloss (SSFSR3915GL) <b>\$2,720</b>	<b>10" w x 39" h</b> Matte (SSFSR3910MT) <b>\$2,135</b> Gloss (SSFSR3910GL) <b>\$2,525</b>			
<b>20" w x 23" h</b> Matte (SSFSR2320MT) <b>\$1,930</b> Gloss (SSFSR2320GL) <b>\$2,315</b>	<b>15" w x 23" h</b> Matte (SSFSR2315MT) <b>\$1,825</b> Gloss (SSFSR2315GL) <b>\$2,180</b>			
SculptureStone® Premium Component Stand 20" l x 22.5" h Matte (SSPX1MT) <b>\$2,000</b> Gloss (SSPX1GL) <b>\$2,640</b> <i>Compatible with select tub models.</i> <i>Go to www.mtibaths.com</i>				

Toe Tap SculptureStone® Drain Cover Finishes
Upgrade is in lieu of standard chrome to tap drain cover. White only + <b>\$90</b> upcharge Matte Finish (SSWIOMT) + <b>\$110</b> upcharge Gloss Finish (SSWIOGL) Brass Tailpiece (WIOBS) <b>\$85</b> in addition to finish charge listed above Quick Drain Kit (WOQ) <b>\$460</b>

\* Allow 2-4 weeks lead time for Special Finishes. Send sample for best match.

