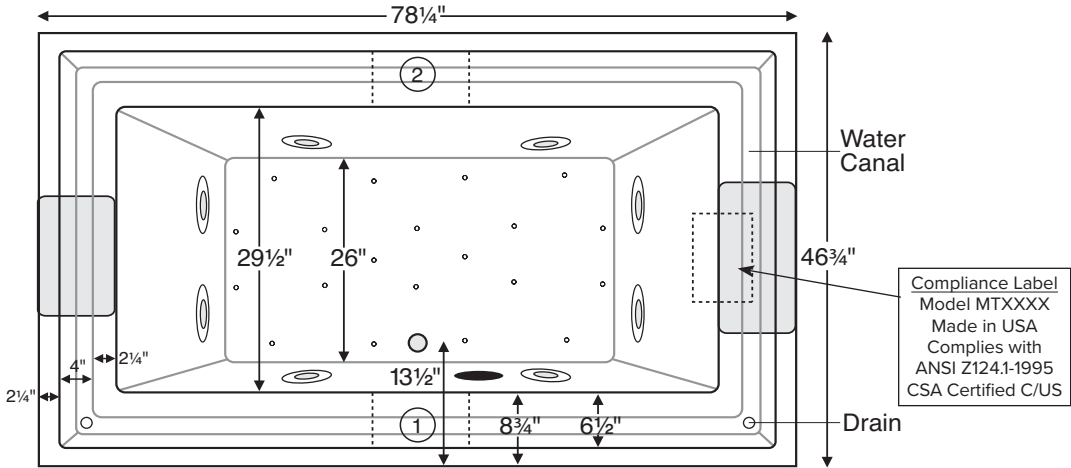


Caribe

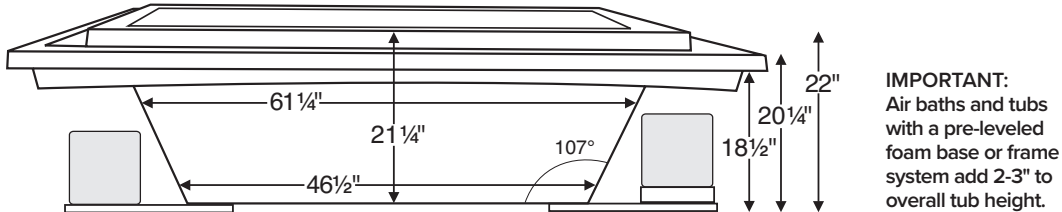


Overflow tub featuring a water canal around the perimeter.

| |
|---|
| MODEL 89 |
| 78.25" x 46.75" x 22" |
| DROP-IN or UNDERMOUNT <i>Not recommended as a tub/shower combination</i> 103 gal to overflow |
| Acrylic CXL™ |
| 135 lbs / 61 kg soaker 180 lbs / 82 kg plumbed |
| Filling this tub to the maximum may require an above average size or dedicated water heater. |



Dotted lines indicate a raised, level deck area which is optional for valves and required for whirlpool. Air bath control must be mounted adjacent to the tub and is shipped loose when ordered without deck plugs. Shown with Air Massage and Ultra Whirlpool Package.



IMPORTANT ORDERING & INSTALLATION INFORMATION

- Before ordering or installing, please consider future access to equipment.
- Add proper bedding compound to fully level and support bottom of tub.
- When equipped with an air bath package, pre-leveled foam base or frame system, overall tub height is increased by approx. 2-3" and is designed to install on a flat, level subfloor.
- Radiance placed on airbath floor will affect placement of air jets.
- System components may extend beyond the perimeter of deck.
- Please measure tub **on-site** before building tub decking.
- Advise MTI when planning to use a glass enclosure. Relocation of controls may be necessary.
- Suction and control locations may vary.

ELECTRICAL COMPONENTS & SPECIFICATIONS

| Hydrotherapy Package | Components Included | GFCI / 110V |
|---------------------------|----------------------------------|-------------|
| Standard Whirlpool | 2-bhp pump | 1-15 amp |
| Microbubbles | Microbubbles pump | 1-15 amp |
| Ultra Whirlpool | 3-bhp pump, inline heater, ozone | 2-20 amp |
| Air Massage | heated blower | 1-15 amp |
| Air Massage Elite | heated blower, chromatherapy | 1-15 amp |

Electrical requirements may change with the addition of optional therapy components. See specific option details or installation information. CSA Certified C/US; ANSI Z124.1 and ANSI 112.19.7

| Hydrotherapy Package | Components Included | GFCI / 110V |
|---------------------------------------|--|-------------|
| Microbubbles with Air | Microbubbles pump, heated blower | 1-20 amp |
| Microbubbles with Air Elite | Microbubbles pump, heated blower, chromatherapy | 2-15 amp |
| Air with Whirlpool | 2-bhp pump, heated blower | 2-15 amp |
| Air with Ultra Whirlpool | 3-bhp pump, inline heater, heated blower, ozone | 2-20 amp |
| Air Elite with Whirlpool | 2-bhp pump, heated blower, chromatherapy | 2-15 amp |
| Air Elite with Ultra Whirlpool | 3-bhp pump, inline heater, heated blower, chromatherapy, ozone | 2-20 amp |

See the Installation & Operation Manual for more details. MTI's Customer Service Monday-Friday 8am-6pm EST 800-783-8827 or service@mtibaths.com

- Before discarding tub crate, check for accessories that may be packaged inside.
- All product measurements are ±1/2".
- Specifications and configurations are subject to change without notice.
- Measurements herein supersede all others published prior to publication date below.



- Aromatherapy is eliminated for undermount applications
- Air Baths, Pre-Leveled Foam Base or Frame Systems increase overall height by 2-3".

Caribe

MODEL 89

78.25" x 46.75" x 22"

| Hydrotherapy Packages | Package Contents | Part # | MSRP |
|---|---|------------|----------|
| Soaker | Soaking bath - no jets | S89-DI | \$4,605 |
| | | S89-UM | |
| Microbubbles | 1 microbubbles infusion port and pump | M89-DI | \$7,925 |
| | | M89-UM | |
| Air Massage | 20 air jets, heated air blower, pre-leveled foam base | AST89-DI | \$8,255 |
| | | AST89-UM | |
| Air Massage Elite | 30 air jets, heated air blower, Chromatherapy LED lighting, Spa Mode, pre-leveled foam base | AE89-DI | \$10,155 |
| | | AE89-UM | |
| Microbubbles with Air Massage | 1 microbubbles infusion port and pump, 20 air jets, heated air blower, pre-leveled foam base | ASTM89-DI | \$10,975 |
| | | ASTM89-UM | |
| Microbubbles with Air Massage Elite | 1 microbubbles infusion port and pump, 30 air jets, heated air blower, Chromatherapy LED lighting, Spa Mode, pre-leveled foam base | AEM89-DI | \$12,775 |
| | | AEM89-UM | |
| Standard Whirlpool | 6 point-massage jets, 2-bhp pump, inline heater | P89-DI | \$7,460 |
| | | P89-UM | |
| Ultra Whirlpool | 8 point-massage jets, 3-bhp pump, inline heater, Ozone | P89U-DI | \$10,140 |
| | | P89U-UM | |
| Air Massage with Standard Whirlpool | 6 point-massage jets, 2-bhp pump, inline heater, 20 air jets, heated air blower, pre-leveled foam base | AW89-DI | \$11,110 |
| | | AW89-UM | |
| Air Massage with Ultra Whirlpool | 8 point-massage jets, 3-bhp pump, inline heater, 20 air jets, heated air blower, Ozone, pre-leveled foam base | AU89-DI | \$13,790 |
| | | AU89-UM | |
| Air Massage Elite with Standard Whirlpool | 6 point-massage jets, 2-bhp pump, inline heater, 30 air jets, heated air blower, Chromatherapy LED lighting, Spa Mode, pre-leveled foam base | AEAP89-DI | \$13,010 |
| | | AEAP89-UM | |
| Air Massage Elite with Ultra Whirlpool | 8 point-massage jets, 3-bhp pump, inline heater, 30 air jets, heated air blower, Ozone, Chromatherapy LED lighting, Spa Mode, pre-leveled foam base | AEAP89U-DI | \$14,790 |
| | | AEAP89U-UM | |

RECOMMENDED SENSORY THERAPIES

Chromatherapy

(LE) **\$800** underwater lighting
2 LED lights included

Audiotherapy

(STEREOBT) **\$1,390** 2 transducers with bluetooth and amplifier
(BTREMOTE) **\$600** bluetooth remote

(STEREOH202) **\$1,575** 4 transducers amplifier not included

Thermaltherapy

(RAD100) **\$1,595** Radiance®
2 heated zones included
(HTISOAK) **\$825**



For more information on options and accessories go to Acrylic Tub Options at mtibaths.com

| |
|---|
| Options <i>Must be ordered at time of purchase.</i> |
| Standard Colors White (CWH) Biscuit (CBS) <i>Please call for availability of special colors.</i> |
| Quick Ship reduces lead time (QSPRI) \$430 <i>Please call for availability</i> |
| Inline Heater maintains water temperature For Soaker or Air Baths (HTISOAK) \$825 Includes a recirculating pump <i>Cannot be combined with Microbubbles.</i> |
| Virtual Spout high-flow integrated tub filler (FPMJ) \$450 <i>Must specify stub-out location on order. See page 1 for location options.</i> |
| Textured, Slip-Resistant Bottom (TXTBTM) \$105 Compliant with ASTM C 1028-07 friction coefficient. |

| |
|---|
| Accessories |
| Pillows from \$180 |
| Teak Bath Mat (TKMAT3018) \$815 <i>Custom sizes also available. Contact MTI for details and pricing.</i> |
| Teak Tub Tray Slatted (TK-TRAY1) \$500 Solid (TK-TRAY2) \$570 |

| |
|---|
| Hydrotherapy Equipment & Cleaning Systems <i>Must be ordered at time of purchase.</i> |
| Inline Heater maintains water temperature For Whirlpools or Stream Bath (HTI) \$570 Uses existing pump <i>Cannot be combined with Microbubbles.</i> |
| Whirlpool Cleaning Systems Fill-Flush (FFSO) \$590 Simple Touch (FFE) \$1,020 <i>Must specify stub-out location on order. See page 1 for location options.</i> |
| Whirlpool Jets Pump upgrade may be advisable for optimal performance when adding jets. Point-Massage Jet Extra Point-Massage Jet (EJ) \$315 Micro-Jet from \$360 <i>Jet styles and packages vary. Personalization available.</i> |
| Pump Upgrade - 3-bhp (PUMP3) \$315 |
| Jet Trim Kits For Standard Whirlpool Chrome (TRC) \$270 , Brushed Nickel (TRBN) \$725 For Ultra Whirlpool Chrome (TRCU) \$370 , Brushed Nickel (TRBNU) \$960 <i>Other finishes available.</i> |
| Ozonator (OZONE) \$515 <i>Cannot be added to soakers or airbaths without combination hydrotherapy package or HTISOAK.</i> |

Installation Options *Must be ordered at time of purchase.*

Pre-Leveled Foam Base (PLFOAM) **\$295**
All airbaths include a pre-leveled foam base.

Tile Flange
Factory-Installed on 3 sides - rigid ABS (TFK3) **\$200**
Field Install Kit - includes rigid ABS & adhesive (TFKNI) **\$185**
IMPORTANT: *Must specify flange location(s) on order of Factory-Installed Flange. Not available with optional Low-Profile Rim.*

Drains & Overflow Kits

- Caribe toe tap kit in chrome finish included
- Overflow runs along the top perimeter of the tub, providing a deeper soak
- 2 fixed overflow fittings within the channel to facilitate drainage

Caribe Dual Overflow Toe Tap
PVC Drain Kit
Chrome – included with tub
Brushed Nickel upcharge (WOCARIBEBN) **\$125**
Special Finish upcharge (WOCARIBESF) **\$1,050**

CARIBE SINGLE DECK

Must be specified at the time of ordering

- Caribe may be ordered with a single mounting deck to accommodate deck mounted valves and controls.
- A deck is **required** for mounting the whirlpool controls.
- This 12" x 6½" deck may be positioned on either the front or rear side of the tub in the center of the water canal.
- Deck does not interrupt the operation of the overflow function.
- If more mounting space is required, see details for Caribe Dual Decks.

IMPORTANT: , MTI must be advised when a glass enclosure is planned. Controls may need to be relocated.

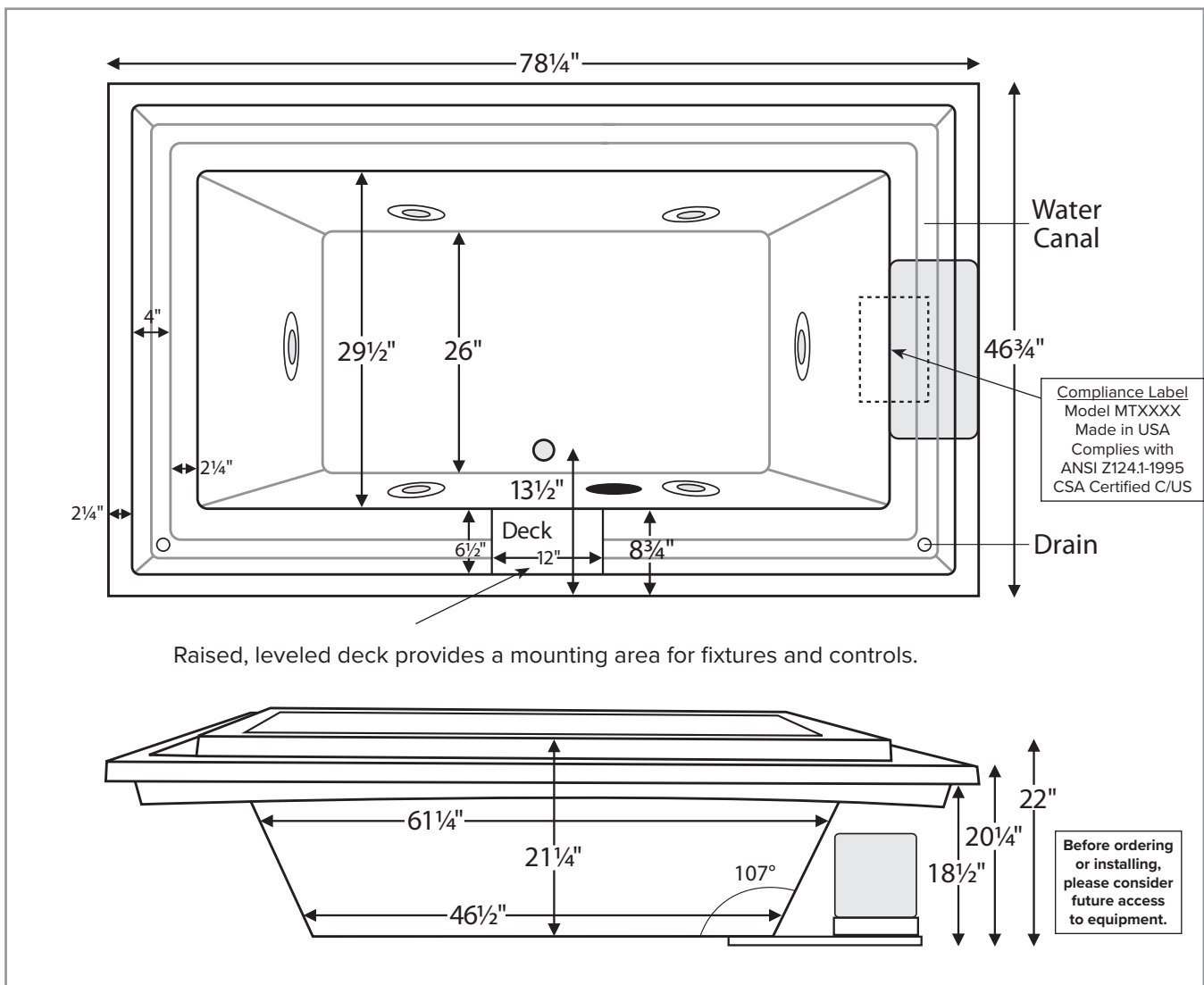
Caribe

MODEL 89

(Continued) with Optional Single Deck



Shown with single mounting deck.



CARIBE DUAL DECKS

Must be specified at the time of ordering

- Caribe may be ordered with dual mounting decks to accommodate deck mounted valves and controls.
- A deck is **required** for mounting the whirlpool controls.
- These 12" x 6½" decks are located on the front and rear sides of the tub in the center of the water canal.
- Deck does not interrupt the operation of the overflow function.
- If less mounting space is required, see details for Caribe Single Decks.

IMPORTANT: , MTI must be advised when a glass enclosure is planned. Controls may need to be relocated.

Caribe
MODEL 89

(Continued) with Optional Dual Deck



Shown with dual mounting decks.

