

Laney 2

MODEL #: 208

65" x 33.75" x 23.5"



Features an integrated overflow.

GENERAL SPECIFICATIONS

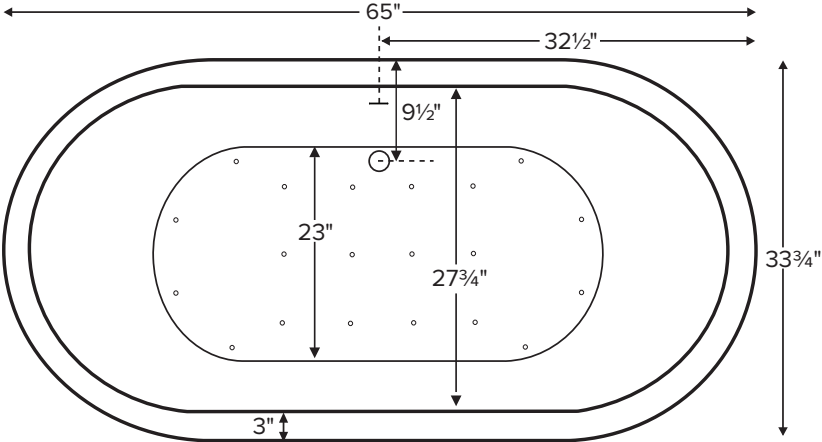
**Material** - Acrylic

**Installation** - Freestanding

**Soaker Weight** - 121 lbs / 55 kg

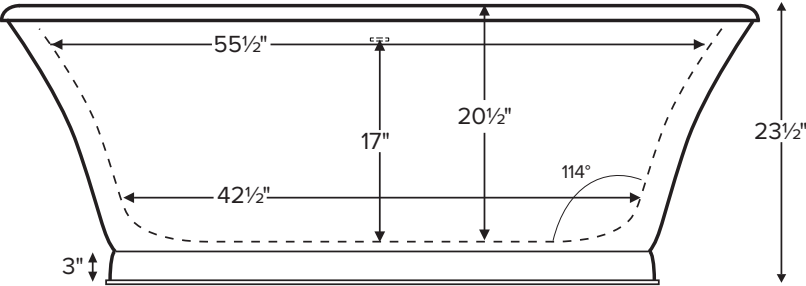
**Maximum Fill** - 80 gal to overflow

*NOTE: Filling this tub to the maximum may require an above average size or dedicated water heater.*

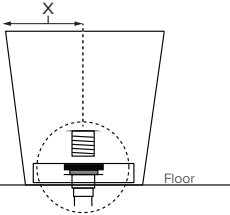


Requires use of a wall-mounted or freestanding tub filler.

Shown with Air Massage Package.



Drain Rough-In Measurement



ELECTRICAL COMPONENTS & SPECIFICATIONS		
Required Electrical Service - 110 Volt		
Hydrotherapy Package	Components Included	GFCI
Air Massage	heated blower	1-15 amp
Air Massage Elite	heated blower, chromatherapy	1-15 amp

Electrical requirements may change with the addition of optional therapy components.  
See specific option details or installation information.  
CSA Certified C/US; ANSI Z124.1 and ANSI 112.19.7

See the Installation & Operation Manual for more details.  
MTI's Customer Service: Monday-Friday 8am-6pm EST  
800-783-8827 or service@mtibaths.com

IMPORTANT ORDERING & INSTALLATION INFORMATION:

- Before ordering or installing, please consider future access to equipment.
- No access panel. Tub features slotted integrated overflow with toe tap drain.
- Air baths require job site preparations for remote mounting the blower and required check valve. Check valve must be installed higher than the rim of the tub.
- Hydrotherapy equipment may ship loose for remote installation depending on tub model. See package content on the following page for details.
- Radiance placed on floor locations will affect placement of air jets.
- Faucet valves cannot be installed on this tub model.

• Before discarding tub crate, check for accessories that may be packaged inside.  
• All product measurements are ±1/2".  
• Specifications and configurations are subject to change without notice.  
• Measurements herein supersede all others published prior to publication date below.



Laney 2  
MODEL #: 208  
65" x 33.75" x 23.5"

Hydrotherapy Packages	Package Contents	Part #	MSRP
Soaker	Soaking bath - no jets; includes a pre-leveled foam base. Integrated slotted overflow with toe-tap drain in chrome.	S208	\$5,495
Air Massage	20 air jets, heated air blower, pre-leveled foam base. Blower and control boxes must be remote located. Integrated slotted overflow with toe-tap drain in chrome.	AST208	\$8,395
Air Massage Elite	30 air jets, heated air blower, Chromatherapy LED lighting, Spa Mode, pre-leveled foam base. Blower and control boxes must be remote located. Integrated slotted overflow with toe-tap drain in chrome.	AE208	\$10,170

RECOMMENDED SENSORY THERAPIES

**Chromatherapy**

(LE) **\$640** underwater lighting  
2 LED lights included

**Audiotherapy**

(STEREOBT) **\$1,175** 2 transducers  
with bluetooth and amplifier  
(BTREMOTE) **\$490** bluetooth remote

(STEREOH202) **\$1,135** 4 transducers  
amplifier not included

**Thermaltherapy**

(RAD100) **\$1,190** Radiance®  
2 heated zones included

**Options**

Must be ordered at time of purchase.

**Standard Colors** White (CWH)  
Biscuit (CBS)

Please call for availability of special colors.

**Quick Ship** reduces lead time (QSPRI) **\$380**

Please call for availability

**Textured, Slip-Resistant Bottom** (TXTBTM) **\$100**

Compliant with ASTM C 1028-07 friction coefficient.

**Virtual Spout** high-flow integrated tub filler (FPMJ) **\$350**

**Grab Bars** from **\$300** (1 set of 2)

Grab bars are factory installed to the left and right of the overflow. Go to Acrylic Tub Options on mtibaths.com for details before ordering.

Color and finish selections vary.

**Decorative Towel Bar**

Chrome (CHTOWEL) **\$520**, Brushed Nickel (BNTOWEL) **\$520**

**Accessories**

**Pillows** from **\$145**

**Teak Bath Mat** (TKMAT3018) **\$390**

Custom sizes also available. Contact MTI for details and pricing.

**Concealed Blower Box**

Oak (BBOAK) **\$920**, Cherry (BBCH) **\$920**, Maple (BMAP) **\$920**

**Floor-Mounted High-Flow Tub Filler** two designs available

Contemporary

Chrome (FILLC) **\$1,680**

Brushed Nickel (FILLBN) **\$1,850**

Traditional

Chrome (FILLTC) **\$1,680**

Brushed Nickel (FILLTBN) **\$1,845**

**Faucet Stand SculptureStone® Standard**

**Small** 3-hole capacity

**14¼" w x 21¾" h**

Matte (STAND) **\$515**

**Large** 5-hole capacity

**22" w x 21¾" h**

Matte (STANDL) **\$610**

**+\$310 gloss finish upcharge** (SSGLOSSSNK)

**Drains & Overflow Kits** Must be ordered at time of purchase

**Integrated Overflow with Toe Tap**

**Slotted Overflow**

PVC drain - Chrome (SLOTIOC) included

**Finish Upcharge**

White (SLOTIOWHU) **\$60**

Brushed Nickel (SLOTIOBNU) **\$60**

Polished Nickel (SLOTIOPNU) **\$100**

**Round Overflow**

Chrome (RIOBC) may substitute slotted overflow

**Finish Upcharge**

White (RIOWH) **\$60**

Brushed Nickel (RIOBN) **\$60**

Polished Nickel (RIOPN) **\$100**

**Brass Tailpiece** (WIOBS) **\$35**

May be ordered separately

