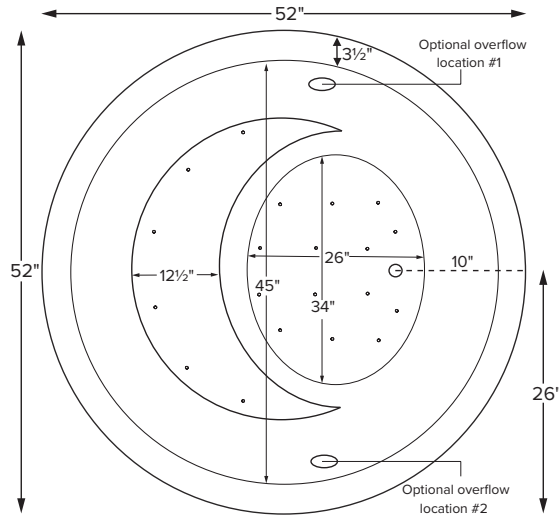


Jasmine 3

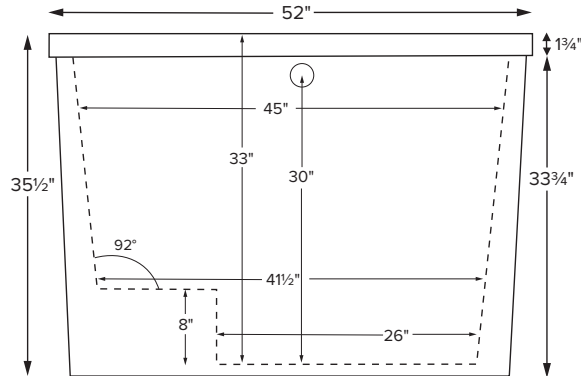


Features integral seat

MODEL 134
52" x 52" x 35.5"
FREESTANDING 160 gal to overflow
Acrylic CXL™
Soker Weight 123 lbs / 56 kg
Filling this tub to the maximum may require an above average size or dedicated water heater.



Shown with Air Massage Package.



IMPORTANT

Consider and select location of overflow when ordering and planning installation. See drawing and "Important Ordering & Installation Information".



Access panel
7 1/8" x 9 1/8"

ELECTRICAL COMPONENTS & SPECIFICATIONS

Hydrotherapy Package	Components Included	110V GFCI
Air Massage	heated blower	1-15 amp
Air Massage Elite	heated blower, chromatherapy	1-15 amp

Electrical requirements may change with the addition of optional therapy components.
See specific option details or installation information.
CSA Certified C/US; ANSI Z124.1 and ANSI 112.19.7

IMPORTANT ORDERING & INSTALLATION INFORMATION:

- Before ordering or installing, please consider future access to equipment.
- Includes cable-driven drain kit with factory installed overflow.
- Must indicate overflow location #1 or #2 on order; see line drawing above.
- This freestanding tub comes equipped with a visible access panel behind the overflow. Please plan for this when positioning the tub for final installation.
- Air baths require job site preparations for remote mounting the blower and required check valve. Check valve must be installed higher than the rim of the tub.
- Hydrotherapy equipment may ship loose for remote installation depending on tub model. See package content on the following page for details.
- Radiance placed on floor locations will affect placement of air jets.
- Faucet valves cannot be installed on this tub model.
- Textured bottom is compliant with ASTM C 1028-07 friction coefficient.

- Before discarding tub crate, check for accessories that may be packaged inside.
- All product measurements are ±1/2".
- Specifications and configurations are subject to change without notice.
- Measurements herein supersede all others published prior to publication date below.

See the Installation & Operation Manual for more details.
MTI's Customer Service: Monday-Friday 8am-6pm EST
800-783-8827 or service@mtibaths.com



Jasmine 3
MODEL 134
52" x 52" x 35.5"

Hydrotherapy Packages	Package Contents	Part #	MSRP
Soaker	Soaking bath - no jets; textured bottom, chrome cable-driven drain with factory-installed overflow, and pre-leveled foam base.	S134	\$8,240
Air Massage	20 air jets, heated air blower, chrome cable-driven drain with factory-installed overflow, and pre-leveled foam base, textured bottom. Blower and control boxes must be remote located.	AST134	\$11,890
Air Massage Elite	30 air jets, heated air blower, Chromatherapy LED lighting, chrome cable-driven drain with factory-installed overflow, and pre-leveled foam base, textured bottom. Blower and control boxes must be remote located.	AE134	\$13,790

RECOMMENDED SENSORY THERAPIES

Chromatherapy

(LE) **\$800** underwater lighting
2 LED lights included

Audiotherapy

(STEREOBT) **\$1,390** 2 transducers
with bluetooth and amplifier
(BTREMOTE) **\$600** bluetooth remote

(STEREOH202) **\$1,575** 4 transducers
amplifier not included

Thermaltherapy

(RAD100) **\$1,595** Radiance®
2 heated zones included

Options *Must be ordered at time of purchase.*

Standard Colors White (CWH)

Please call for availability of special colors.

Quick Ship reduces lead time (QSPRI) **\$430**

Please call for availability

Virtual Spout high-flow integrated tub filler (FPMJ) **\$450**

Accessories

Pillows from **\$180**

Teak Bath Mat (TKMAT3018) **\$815**

Custom sizes also available. Contact MTI for details and pricing.

Floor-Mounted High-Flow Tub Filler two designs available

Contemporary

Chrome (FILLC) **\$1,480**

Brushed Nickel (FILLBN) **\$1,710**

Traditional

Chrome (FILLTC) **\$1,505**

Brushed Nickel (FILLTBN) **\$1,745**

Drains & Overflow Kits

Cable Driven

Drain Finishes – PVC Drain Kit

Chrome (WOCD) included

Finish Upcharge

White/Biscuit (WOCDWU) **\$40**

Brushed Nickel (WOCDBNU) **\$120**

Polished Nickel (WOCDPNU) **\$210**

Oil-Rubbed Bronze† (WOCBORU) **\$210**

Polished Brass (WOCDBRU) **\$210**

Special Finishes* (WOCDSFU) **\$710**

MTI does not offer a brass body cable drain kit.



- Overflow is installed at the factory.
- Drain kit is concealed between tub walls.
- Access panel behind overflow on this tub model facilitates drain installation.

† MTI has selected an oil-rubbed bronze finish that is compatible with Delta and many other manufacturers. To ensure best match, order as a Special Finish and submit a sample.
* Allow 2-4 weeks lead time for Special Finishes. Send sample for best match.

