



## Designer Collection Tubs

### Melinda 1

MODEL #: 74

71.25" x 34.75" x 23.5"

Optional pedestal: 56" x 35.25" x 3"

#### GENERAL SPECIFICATIONS

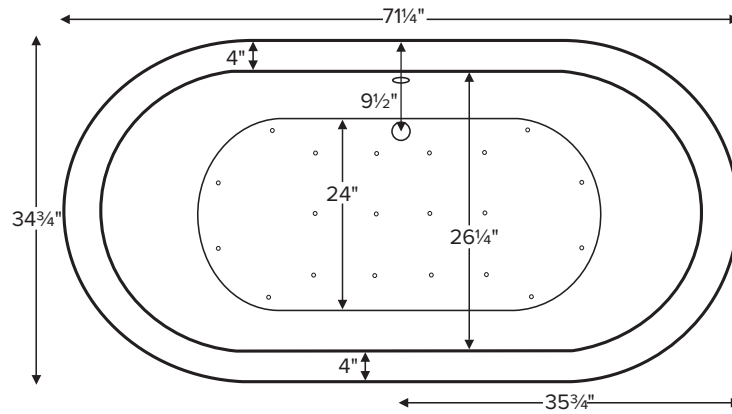
**Material** - Acrylic

**Installation** - Freestanding

**Soaker Weight** - 121 lbs / 55 kg

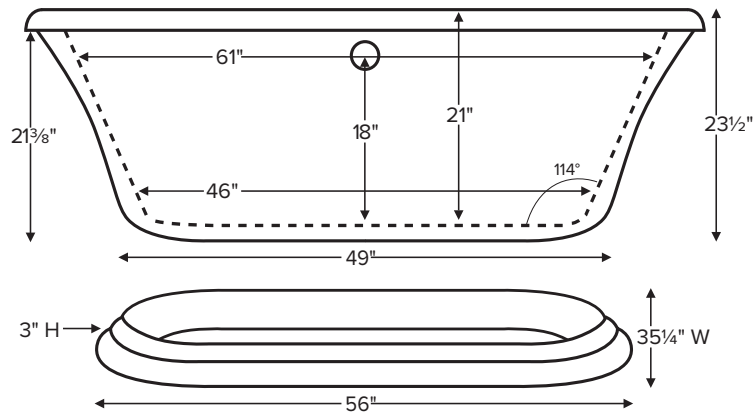
**Maximum Fill** - 75 gal to overflow

*NOTE: Filling this tub to the maximum may require an above average size or dedicated water heater.*



Requires use of a wall-mounted or freestanding tub filler.

Shown with Air Massage Package.



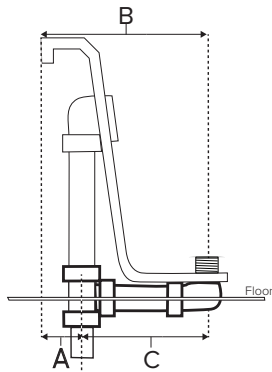
Optional one-piece pedestal base.

Access panel  
9" x 16"



#### Drain Rough-In Measurements

A	B	C
4"	9 1/2"	5 1/2"



#### ELECTRICAL COMPONENTS & SPECIFICATIONS

Required Electrical Service - 110 Volt

Hydrotherapy Package	Components Included	GFCI
Air Massage	heated blower	1-15 amp
Air Massage Elite	heated blower, chromatherapy	1-15 amp

Electrical requirements may change with the addition of optional therapy components.  
See specific option details or installation information.  
CSA Certified C/US; ANSI Z124.1 and ANSI 112.19.7

See the Installation & Operation Manual for more details.  
MTI's Customer Service: Monday-Friday 8am-6pm EST  
**800-783-8827** or [service@mtibaths.com](mailto:service@mtibaths.com)

#### IMPORTANT ORDERING & INSTALLATION INFORMATION:

- Before ordering or installing, please consider future access to equipment.
- Comes equipped with an access panel on the drain side for installation of waste and overflow.
- Optional pedestal ring does not increase the height of the tub.
- Air baths require job site preparations for remote mounting the blower.
- Hydrotherapy equipment may ship loose for remote installation depending on tub model. See package content on the following page for details.
- MTI will eliminate the access panel upon request. Installation will be more difficult.
- Radiance placed on floor locations will affect placement of air jets.
- Faucet valves cannot be installed on this tub model.

- Before discarding tub crate, check for accessories that may be packaged inside.
- All product measurements are  $\pm 1/2$ ".
- Specifications and configurations are subject to change without notice.
- Measurements herein supersede all others published prior to publication date below.

CSA # MTDS-74

©2021 by MTI Baths, Inc. Modification Rights Reserved



Melinda 1

MODEL #: 74

71.25" x 34.75" x 23.5"

Hydrotherapy Packages	Package Contents	Part #	MSRP
Soaker	Soaking bath - no jets; includes a pre-leveled foam base.	<b>S74</b>	<b>\$4,600</b>
		<i>With Pedestal - S74 + BASE74</i>	<b>\$5,600</b>
Air Massage	20 air jets, heated air blower, pre-leveled foam base. Blower and control boxes must be remote located.	<b>AST74</b>	<b>\$7,500</b>
		<i>With Pedestal - AST74 + BASE74</i>	<b>\$8,500</b>
Air Massage Elite	30 air jets, heated air blower, Chromatherapy LED lighting, Spa Mode, pre-leveled foam base. Blower and control boxes must be remote located.	<b>AE74</b>	<b>\$9,275</b>
		<i>With Pedestal - AE74 + BASE74</i>	<b>\$10,275</b>

RECOMMENDED SENSORY THERAPIES

**Chromatherapy**

(LE) **\$640** underwater lighting  
2 LED lights included

**Audiotherapy**

(STEREOBT) **\$1,175** 2 transducers with bluetooth and amplifier  
(BTREMOTE) **\$490** bluetooth remote

(STEREOH202) **\$1,135** 4 transducers amplifier not included

**Thermaltherapy**

(RAD100) **\$1,190** Radiance®  
2 heated zones included

**Options**

*Must be ordered at time of purchase.*

**Standard Colors** White (CWH)  
Biscuit (CBS)

*Please call for availability of special colors.*

**Quick Ship** reduces lead time (QSPRI) **\$380**

*Please call for availability*

**Textured, Slip-Resistant Bottom** (TXTBTM) **\$100**

Compliant with ASTM C 1028-07 friction coefficient.

**Virtual Spout** high-flow integrated tub filler (FPMJ) **\$350**

**Grab Bars** from **\$300** (1 set of 2)

Grab bars are factory installed to the left and right of the overflow. Go to [Acrylic Tub Options on mtibaths.com](http://Acrylic Tub Options on mtibaths.com) for details before ordering.

*Color and finish selections vary.*

**Decorative Towel Bar**

Chrome (CHTOWEL) **\$520**, Brushed Nickel (BNTOWEL) **\$520**

**Accessories**

**Pillows** from **\$145**

**Teak Bath Mat** (TKMAT3018) **\$390**

*Custom sizes also available. Contact MTI for details and pricing.*

**Concealed Blower Box**

Oak (BBOAK) **\$920**, Cherry (BBCH) **\$920**, Maple (BMAP) **\$920**

**Floor-Mounted High-Flow Tub Filler** two designs available

Contemporary

Chrome (FILLC) **\$1,680**

Brushed Nickel (FILLBN) **\$1,850**

Traditional

Chrome (FILLTC) **\$1,680**

Brushed Nickel (FILLTBN) **\$1,845**

**Faucet Stand SculptureStone® Standard**

**Small** 3-hole capacity

**14¼" w x 21¾" h**

Matte (STAND) **\$515**

**Large** 5-hole capacity

**22" w x 21¾" h**

Matte (STANDL) **\$610**

**+\$310 gloss finish upcharge** (SSGLOSSENK)

**Drains & Overflow Kits**

*Toe Tap Rectangular Overflow must be ordered at time of purchase*

**Cable Driven**

**Drain Finishes** – PVC Drain Kit

White/Biscuit (WOCDW) **\$345**

Chrome (WOC) **\$325**

Brushed Nickel (WOCDBN) **\$395**

Polished Nickel (WOCDPN) **\$515**

Oil-Rubbed Bronze† (WOCBOR) **\$525**

Polished Brass (WOCDBR) **\$505**

Special Finishes\* (WOCDSF) **\$835**

*MTI does not offer a brass body cable drain kit.*

**Toe Tap**

**Round Overflow** – PVC Drain Kit

Chrome (WOTTC) **\$300**

Brushed Nickel (WOTTBN) **\$325**

Polished Nickel (WOTTPN) **\$340**

Special Finishes\* (WOTTSF) **\$970**

**Round Overflow** – Solid Brass Drain

Chrome (WOTTSBC) **\$755**

Brushed Nickel (WOTTSBBN) **\$755**

Polished Nickel (WOTTSBPN) **\$755**

**Toe Tap**

**Rectangular Overflow** – PVC Drain Kit

Chrome (WOTRC) **\$315**

Brushed Nickel (WOTRBN) **\$325**

White (WOTRW) **\$350**

**Lift & Turn**

**Drain Finishes** – PVC Drain Kit

Chrome (WOC) **\$130**

White (WOW) **\$190**

Brushed Nickel (WOBN) **\$235**

**Slim-Line Overflow with Toe Tap Drain** *Must be ordered at time of purchase.*

- Low profile overflow is factory installed
- Overflow measures 4.5" x 1"
- Provides a deeper soak
- Not available for commercial applications

**Slim-Line Overflow with Toe Tap Drain**

PVC Drain

Chrome (SLOTC) **\$390**

Brushed Nickel (SLOTBN) **\$400**

Polished Nickel (SLOTPN) **\$410**

White (SLOTW) **\$400**

**Slim-Line Overflow with Toe Tap Drain**

Solid Brass Drain

Chrome (SLOTSBC) **\$825**

Brushed Nickel (SLOTSBBN) **\$825**

Polished Nickel (SLOTSBPN) **\$825**

White (SLOTSBW) **\$825**

† MTI has selected an oil-rubbed bronze finish that is compatible with Delta and many other manufacturers. To ensure best match, order as a Special Finish and submit a sample.  
\* Allow 2-4 weeks lead time for Special Finishes. Send sample for best match.

