



Features an integrated overflow.

## Boutique Collection Tubs

### Cáscara

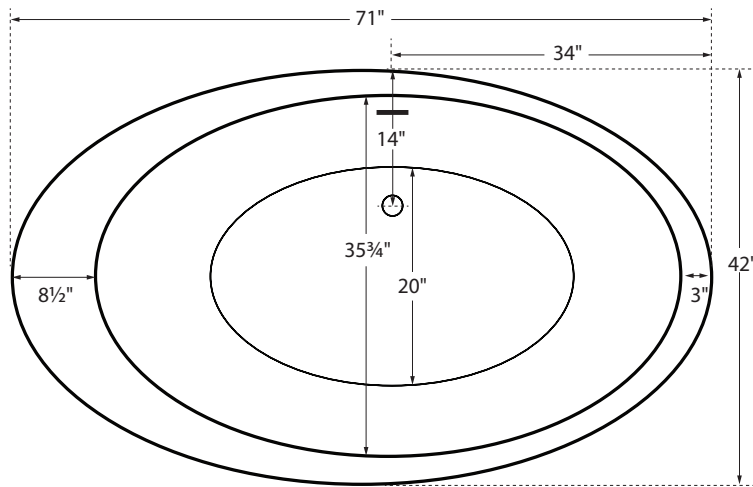
MODEL #: 217  
71" x 42" x 22.75"

#### GENERAL SPECIFICATIONS

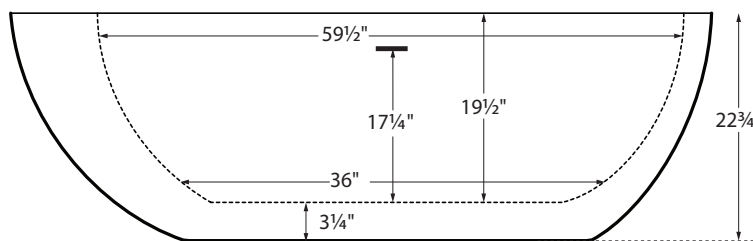
**Material** - SculptureStone®  
**Installation** - Freestanding  
**Soaker Weight** - 360 lbs / 163 kg  
**Air Bath Weight** - 390 lbs / 177 kg  
**Maximum Fill** - 80 gal to overflow

May also be undermounted. Must specify on order.  
Not recommended as a tub / shower combination.

*NOTE: Filling this tub to the maximum may require an above average size or dedicated water heater.*



Shown above as an Air Bath.



#### ELECTRICAL COMPONENTS & SPECIFICATIONS

Required Electrical Service - 110 Volt

Hydrotherapy Package	Components Included	GFCI
Air Massage	heated blower	1-15 amp

CSA Certified C/US; ANSI Z124.1 and ANSI 112.19.7

See the Installation & Operation Manual for more details.  
MTI's Customer Service: Monday-Friday 8am-6pm EST  
800-783-8827 or service@mtibaths.com

#### IMPORTANT ORDERING & INSTALLATION INFORMATION

- Before ordering or installing, please consider future access to equipment.
- Includes an integrated overflow with toe tap drain in chrome finish. May be specified without an overflow (see local codes before ordering without an overflow).
- Air baths require job site preparation for remote installation of the blower and required check valve. Check valve must be installed higher than the rim of the tub.
- Waterproof remote control included with air bath. Keypad shipped loose may be remote mounted on nearby surface/wall.
- Faucet valves cannot be mounted on this tub model.

- Before discarding tub crate, check for accessories that may be packaged inside.
- All product measurements are  $\pm 1/2$ ".
- Specifications and configurations are subject to change without notice.
- Measurements herein supersede all others published prior to publication date below.

CSA # MTCT-217

©2022 by MTI Baths, Inc. Modification Rights Reserved

1 of 2



Rev. 01 25 2022

For more information on options and accessories go to SculptureStone® Tubs Options on mtibaths.com

**Cáscara**  
MODEL #: 217  
71" x 42" x 22.75"

- Blower & required check valve for airbath must be remote mounted. Check valve must be installed higher than the rim of the tub.
- See the Installation & Operation Manual for more details.

Hydrotherapy	Package Contents	Part #	MSRP	
<b>Soaker</b>	Soaking bath - no jets. Includes an integrated slotted overflow with a toe-tap drain kit.	<b>S217</b>	<b>\$12,980</b>	<b>Crate / Handling Fee Applies</b>
<b>Air Bath</b>	20 air jets, heated air blower, keypad, waterproof remote control, integrated slotted overflow with a toe-tap drain kit.	<b>AST217</b>	<b>\$18,370</b>	<b>Crate / Handling Fee Applies</b>

Options <small>Must be ordered at time of purchase</small>
Quick Ship (QSPRI2) <b>\$1,025</b> reduces lead time <i>Please call for availability</i>
Standard Color White, matte finish Biscuit Color Upgrade (SSBI) <b>\$310</b> matte finish <i>Additional material colors available for projects only. Please call MTI.</i>
Hand-Polished Deep Gloss Finish (SSGLOSS3) <b>\$1,195</b> upcharge For white or biscuit

Accessories		
Teak Bath Mat (TKMAT3018) <b>\$815</b> Measures 30" x 17.5" x 1" <i>Custom sizes also available. Contact MTI for details.</i>		
Floor-Mounted High-Flow Tub Filler <table border="0"> <tr> <td>Contemporary Chrome (FILLC) <b>\$1,480</b> Br. Nickel (FILLBN) <b>\$1,710</b></td> <td>Traditional Chrome (FILLTC) <b>\$1,505</b> Br. Nickel (FILLTBN) <b>\$1,745</b></td> </tr> </table>	Contemporary Chrome (FILLC) <b>\$1,480</b> Br. Nickel (FILLBN) <b>\$1,710</b>	Traditional Chrome (FILLTC) <b>\$1,505</b> Br. Nickel (FILLTBN) <b>\$1,745</b>
Contemporary Chrome (FILLC) <b>\$1,480</b> Br. Nickel (FILLBN) <b>\$1,710</b>	Traditional Chrome (FILLTC) <b>\$1,505</b> Br. Nickel (FILLTBN) <b>\$1,745</b>	
SculptureStone® Tub Tray Without Stemware Holder (SSTRAY1) <b>\$340</b> With Stemware Holder (SSTRAY2) <b>\$450</b> <i>Color and finish will come matched with tub</i>		
<b>Teak Tub Tray</b> Slatted (TK-TRAY1) <b>\$500</b> Solid (TK-TRAY2) <b>\$570</b> <i>Order with tub for best fit</i>		

**Drains & Overflow Kits** Must be ordered at time of purchase

**Toe Tap Drain Cover Finishes**  
PVC drain - Chrome included  
**+\$50** upcharge Br. Nickel (WIOBN), Pol. Nickel (WIOPN)  
**+\$85** upcharge Matte Black (WIOMB)  
**+\$105** upcharge Oil-Rubbed Bronze\* (WIOOR)  
**+\$640** upcharge Special Finish\* (WIOSF)  
*Send finish sample to MTI Baths for best match.*

Boutique Accessories Packaging / Handling Fee Applies				
SculptureStone® Bathroom Table (TABLE) <b>\$825</b> matte finish <b>+\$430</b> gloss finish upcharge (SSGLOSSNK) <i>Order with tub for best color match</i>				
SculptureStone® Standard Faucet Stand <table border="0"> <tr> <td>Small - 3-hole capacity 14¼" w x 21¾" h Matte (STAND) <b>\$725</b></td> <td>Large - 5-hole capacity 22" w x 21¾" h Matte (STANDL) <b>\$855</b></td> </tr> </table> <b>+\$430</b> gloss finish upcharge (SSGLOSSNK)	Small - 3-hole capacity 14¼" w x 21¾" h Matte (STAND) <b>\$725</b>	Large - 5-hole capacity 22" w x 21¾" h Matte (STANDL) <b>\$855</b>		
Small - 3-hole capacity 14¼" w x 21¾" h Matte (STAND) <b>\$725</b>	Large - 5-hole capacity 22" w x 21¾" h Matte (STANDL) <b>\$855</b>			
SculptureStone® Premium Faucet Stand <table border="0"> <tr> <td><b>15" w x 39" h</b> Matte (SSFSR3915MT) <b>\$2,365</b> Gloss (SSFSR3915GL) <b>\$2,720</b></td> <td><b>10" w x 39" h</b> Matte (SSFSR3910MT) <b>\$2,135</b> Gloss (SSFSR3910GL) <b>\$2,525</b></td> </tr> <tr> <td><b>20" w x 23" h</b> Matte (SSFSR2320MT) <b>\$1,930</b> Gloss (SSFSR2320GL) <b>\$2,315</b></td> <td><b>15" w x 23" h</b> Matte (SSFSR2315MT) <b>\$1,825</b> Gloss (SSFSR2315GL) <b>\$2,180</b></td> </tr> </table>	<b>15" w x 39" h</b> Matte (SSFSR3915MT) <b>\$2,365</b> Gloss (SSFSR3915GL) <b>\$2,720</b>	<b>10" w x 39" h</b> Matte (SSFSR3910MT) <b>\$2,135</b> Gloss (SSFSR3910GL) <b>\$2,525</b>	<b>20" w x 23" h</b> Matte (SSFSR2320MT) <b>\$1,930</b> Gloss (SSFSR2320GL) <b>\$2,315</b>	<b>15" w x 23" h</b> Matte (SSFSR2315MT) <b>\$1,825</b> Gloss (SSFSR2315GL) <b>\$2,180</b>
<b>15" w x 39" h</b> Matte (SSFSR3915MT) <b>\$2,365</b> Gloss (SSFSR3915GL) <b>\$2,720</b>	<b>10" w x 39" h</b> Matte (SSFSR3910MT) <b>\$2,135</b> Gloss (SSFSR3910GL) <b>\$2,525</b>			
<b>20" w x 23" h</b> Matte (SSFSR2320MT) <b>\$1,930</b> Gloss (SSFSR2320GL) <b>\$2,315</b>	<b>15" w x 23" h</b> Matte (SSFSR2315MT) <b>\$1,825</b> Gloss (SSFSR2315GL) <b>\$2,180</b>			
SculptureStone® Premium Component Stand 20" l x 22.5" h Matte (SSPX1MT) <b>\$2,000</b> Gloss (SSPX1GL) <b>\$2,640</b> <i>Compatible with select tub models.</i> <i>Go to www.mtibaths.com</i>				

\* MTI has selected an oil-rubbed bronze finish that is compatible with Delta and many other manufacturers. To ensure best match, order as a Special Finish and submit a sample.  
CSA # MTCT-217

\* Allow 2-4 weeks lead time for Special Finishes.  
Send sample for best match.

