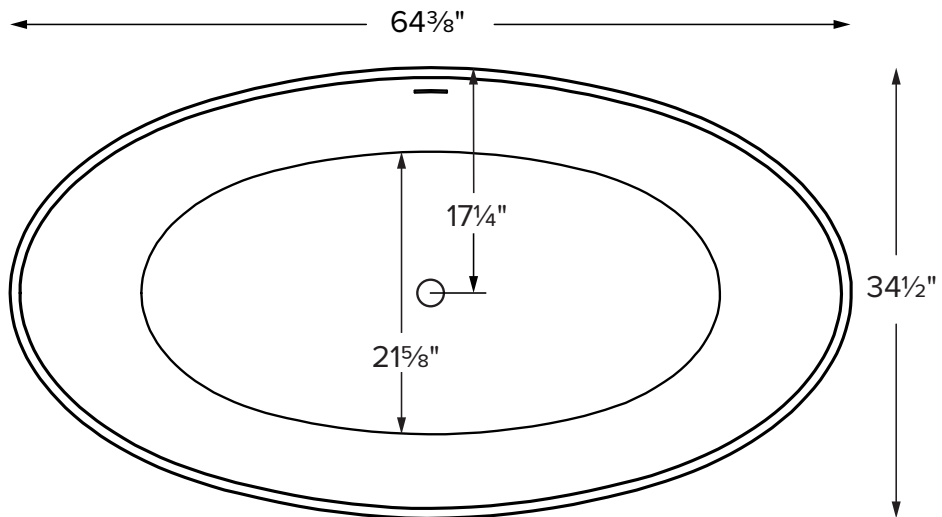


Watson

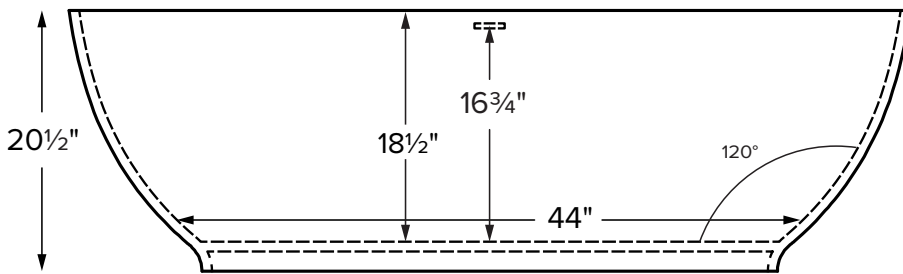
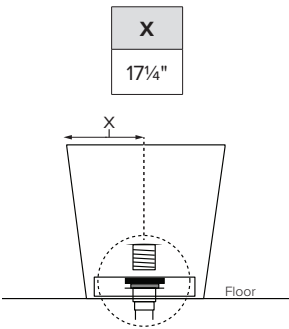


Watson features an integrated slotted overflow.

MODEL 501
64.375" x 34.5" x 20.5"
FREESTANDING 90 gal to overflow
<b>Mineral Composite</b>
170 lbs / 77 kg soaker
Filling this tub to the maximum may require an above average size or dedicated water heater.



Drain Rough-In Measurement



**ELECTRICAL COMPONENTS & SPECIFICATIONS**

Hydrotherapy Package	Components Included	110V GFCI
Air Massage	heated blower	1-15 amp

Electrical requirements may change with the addition of optional therapy components. See specific [option details](#) or [installation information](#).  
CSA Certified C/US; ANSI Z124.1 and ANSI 112.19.7

**IMPORTANT ORDERING & INSTALLATION INFORMATION**

- Before ordering or installing, please consider future access to equipment.
- Integrated overflow with toe tap drain included.
- Air baths require job site preparations for remote mounting the blower and required check valve. Check valve must be installed higher than the rim of the tub.
- Hydrotherapy equipment may ship loose for remote installation depending on tub model. See bullets at top of next page for details.
- Waterproof remote control included. Keypad is shipped loose and may be mounted nearby.
- Faucet valves cannot be installed on this tub model.

• Before discarding tub crate, check for accessories that may be packaged inside.  
• All product measurements are ±1/2".  
• Specifications and configurations are subject to change without notice.  
• Measurements herein supersede all others published prior to publication date below.



MODEL 501

Ferguson Exclusive

For more information on options and accessories go to Cosmopolitan Mineral Composite Tubs Options on [mtibaths.com](http://mtibaths.com)

- Blower, control box and required check valve for airbath must be remote mounted.
- Check valve must be installed higher than the rim of the tub.
- See Installation and Operation Manual for more details.

Watson  
64.375" x 34.5" x 20.5"

Hydrotherapy	Package Contents	Part #	MSRP
<b>Soaker</b>	Soaking bath - no jets. Includes an integrated slotted overflow with white toe-tap drain kit.	<b>S501</b>	<b>\$6,540</b>
<b>Air Bath</b>	20 air jets, heated air blower, keypad, waterproof remote control, integrated slotted overflow with white toe-tap drain kit.	<b>AST501</b>	<b>\$10,965</b>

### Color and Finish Options

**Standard Colors:** White, gloss finish only.

### Recommended Drain Kits

- Westbrass D98LTBAA-XX (included with tub)
- OS&B 500Q Series
- Mountain Plumbing BDWOF-ST

### Drain Kit Accessories

**Quick Drain Kit - (WOQ) \$460**

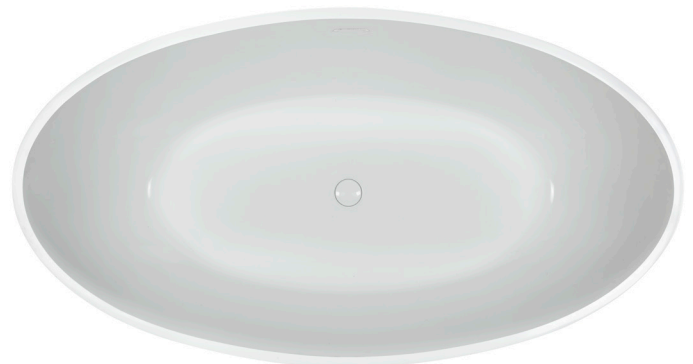
**Brass Tailpiece (WIOBS) \$85** (not compatible with OS&B 500Q)

### Accessories *Sold separately*

**Pillows from \$180**

**Teak Bath Mat** - Measures 30" x 17.5" x 1"  
(TKMAT3018) **\$815**  
Custom sizes also available, contact MTI for details.

Pricing is MSRP. Part codes listed in parentheses.



Inside view of tub

