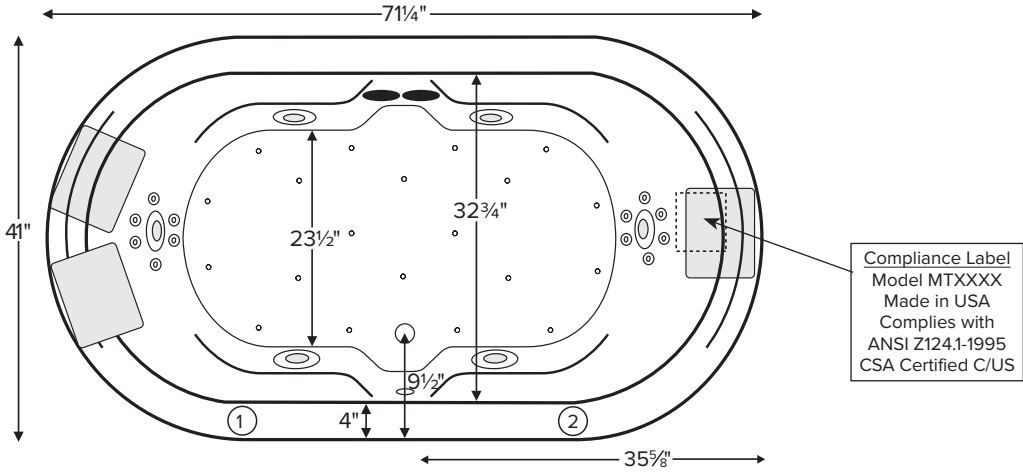


Harmony

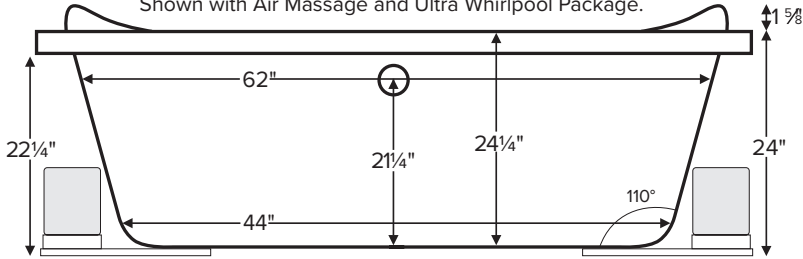


<b>MODEL 85</b>	
<b>71.25" x 41" x 24"</b>	
DROP-IN (cannot be undermounted) <i>Not recommended as a tub/shower combination</i> 110 gal to overflow	
<b>Acrylic CXL™</b>	<b>DoloMatte™</b>
121 lbs / 55 kg 144 lbs / 65 kg	<SOAKER> 136 lbs / 62 kg <PLUMBED> 162 lbs / 73 kg
Filling this tub to the maximum may require an above average size or dedicated water heater.	



Compliance Label  
Model MTXXXX  
Made in USA  
Complies with  
ANSI Z124.1-1995  
CSA Certified C/US

Numbered areas on tub deck represent possible locations to install cleaning systems, faucets and other fixtures. Shown with Air Massage and Ultra Whirlpool Package.



**IMPORTANT:**  
Air baths and tubs with a pre-leveled foam base or frame system add 2-3" to overall tub height.

**IMPORTANT ORDERING & INSTALLATION INFORMATION**

- Before ordering or installing, please consider future access to equipment.
- Add proper bedding compound to fully level and support bottom of tub.
- When equipped with an air bath package, pre-leveled foam base or frame system, overall tub height is increased by approx. 2-3" and is designed to install on a flat, level subfloor.
- Radiance placed on airbath floor will affect placement of air jets.
- System components may extend beyond the perimeter of deck.
- Please measure tub **on-site** before building tub decking.
- Advise MTI when planning to use a glass enclosure. Relocation of controls may be necessary.
- Suction and control locations may vary.

**ELECTRICAL COMPONENTS & SPECIFICATIONS**

Hydrotherapy Package	Components Included	GFCI / 110V
Standard Whirlpool	2-bhp pump	1-15 amp
Stream Bath	1/2-bhp, ozone	1-20 amp
Microbubbles	Microbubbles pump	1-15 amp
Ultra Whirlpool	2-bhp pump x 2, inline heater, ozone	2-20 amp
Air Massage	heated blower	1-15 amp
Air Massage Elite	heated blower, chromatherapy	1-15 amp
Air Massage w/ Stream Bath	1/2-bhp pump, heated blower, ozone	1-20 amp
Air Massage Elite w/ Stream Bath	1/2-bhp pump, heated blower, chromatherapy, ozone	1-20 amp

Hydrotherapy Package	Components Included	GFCI / 110V
Microbubbles with Air	Microbubbles pump, heated blower	1-20 amp
Microbubbles with Air Elite	Microbubbles pump, heated blower, chromatherapy	2-15 amp
Air with Whirlpool	2-bhp pump, heated blower	2-15 amp
Air with Ultra Whirlpool	2-bhp pump x 2, inline heater, heated blower, ozone	2-20 amp
Air Elite with Whirlpool	2-bhp pump, heated blower, chromatherapy	2-15 amp
Air Elite with Ultra Whirlpool	2-bhp pump x 2, inline heater, heated blower, chromatherapy, ozone	2-20 amp

Electrical requirements may change with the addition of optional therapy components. See specific option details or installation information. CSA Certified C/US; ANSI Z124.1 and ANSI 112.19.7

See the Installation & Operation Manual for more details. MTI's Customer Service Monday-Friday 8am-6pm EST 800-783-8827 or service@mtibaths.com

- Before discarding tub crate, check for accessories that may be packaged inside.
- All product measurements are ±1/2".
- Specifications and configurations are subject to change without notice.
- Measurements herein supersede all others published prior to publication date below.



- Aromatherapy is eliminated for undermount applications
- Air Baths, Pre-Levelled Foam Base or Frame Systems increase overall height by 2-3".

**Harmony**  
 MODEL 85  
 71.25" x 41" x 24"

Hydrotherapy Packages	Package Contents	Acrylic CXL™		DoloMatte™	
		Part #	MSRP	Part #	MSRP
Soaker	Soaking bath - no jets	S85	\$3,210	S85DM	\$3,810
Stream Bath	6 side vents, 2 end vents, 1/2 bhp pump, Ozone	SM85	\$5,755	SM85DM	\$6,355
Microbubbles	1 microbubbles infusion port and pump	M85	\$6,530	M85DM	\$7,130
Air Massage	20 air jets, heated air blower, Aromatherapy, pre-levelled foam base	AST85	\$6,860	AST85DM	\$7,460
Air Massage Elite	30 air jets, heated air blower, Aromatherapy, Chromatherapy LED lighting, Spa Mode, pre-levelled foam base	AE85	\$8,760	AE85DM	\$9,360
Stream Bath with Air Massage	6 side vents, 2 end vents, 1/2 bhp pump, Ozone, 20 air jets, heated air blower, Aromatherapy, pre-levelled foam base	ASTSM85	\$8,905	ASTSM85DM	\$9,505
Stream Bath with Air Massage Elite	6 side vents, 2 end vents, 1/2 bhp pump, Ozone, 30 air jets, heated air blower, Aromatherapy, Chromatherapy LED lighting, Spa Mode, pre-levelled foam base	AESM85	\$11,005	AESM85DM	\$11,605
Microbubbles with Air Massage	1 microbubbles infusion port and pump, 20 air jets, heated air blower, Aromatherapy, pre-levelled foam base	ASTM85	\$9,580	ASTM85DM	\$10,180
Microbubbles with Air Massage Elite	1 microbubbles infusion port and pump, 30 air jets, heated air blower, Aromatherapy, Chromatherapy LED lighting, Spa Mode, pre-levelled foam base	AEM85	\$11,380	AEM85DM	\$11,980
Standard Whirlpool	6 point-massage jets, 2-bhp pump	P85	\$5,575	P85DM	\$6,175
Ultra Whirlpool	6 point-massage jets, 12 micro-jets with Tsubo massage, 2 2-bhp pumps, inline heater, Ozone	P85U	\$7,570	P85UDM	\$8,170
Air Massage with Standard Whirlpool	6 point-massage jets, 2-bhp pump, 20 air jets, heated air blower, Aromatherapy, pre-levelled foam base	AW85	\$9,225	AW85DM	\$9,825
Air Massage with Ultra Whirlpool	6 point-massage jets, 12 micro-jets with Tsubo massage, 2 2-bhp pumps, inline heater, 20 air jets, heated air blower, Aromatherapy, Ozone, pre-levelled foam base	AU85	\$11,220	AU85DM	\$11,820
Air Massage Elite with Standard Whirlpool	6 point-massage jets, 2-bhp pump, 30 air jets, heated air blower, Aromatherapy, Chromatherapy LED lighting, Spa Mode, pre-levelled foam base	AEAP85	\$11,125	AEAP85DM	\$11,725
Air Massage Elite with Ultra Whirlpool	6 point-massage jets, 12 micro-jets with Tsubo massage, 2 2-bhp pumps, inline heater, 30 air jets, heated air blower, Aromatherapy, Ozone, Chromatherapy LED lighting, Spa Mode, pre-levelled foam base	AEAP85U	\$12,220	AEAP85UDM	\$12,820

RECOMMENDED SENSORY THERAPIES

**Chromatherapy**

(LE) **\$800** underwater lighting  
 2 LED lights included

**Audiotherapy**

(STEREOBT) **\$1,390** 2 transducers with bluetooth and amplifier  
 (BTREMOTE) **\$600** bluetooth remote

(STEREOH202) **\$1,575** 4 transducers amplifier not included

**Thermaltherapy**

(RAD100) **\$1,595** Radiance®  
 2 heated zones included  
 (HTISOAK) **\$825**



For more information on options and accessories go to Acrylic Tub Options at mtibaths.com

Options <i>Must be ordered at time of purchase.</i>
<b>Standard Colors</b> White (CWH) Biscuit (CBS) <i>Please call for availability of special colors.</i>
<b>Quick Ship</b> reduces lead time (QSPRI) <b>\$430</b> <i>Please call for availability</i>
<b>Inline Heater</b> maintains water temperature <b>For Soaker or Air Baths (HTISOAK) \$825</b> Includes a recirculating pump <i>Cannot be combined with Microbubbles.</i>
<b>Virtual Spout</b> high-flow integrated tub filler (FPMJ) <b>\$450</b> <i>Must specify stub-out location on order. See page 1 for location options.</i>
<b>Grab Bars</b> from <b>\$330</b> <i>Selections vary. Personalization available.</i>
<b>Textured, Slip-Resistant Bottom (TXTBTM) \$105</b> Compliant with ASTM C 1028-07 friction coefficient.

Accessories
<b>Pillows</b> from <b>\$180</b>
<b>Teak Bath Mat (TKMAT3018) \$815</b> <i>Custom sizes also available. Contact MTI for details and pricing.</i>
<b>Teak Tub Tray</b> Slatted (TK-TRAY1) <b>\$500</b> Solid (TK-TRAY2) <b>\$570</b>

Installation Options <i>Must be ordered at time of purchase.</i>
<b>Pre-Leveled Foam Base (PLFOAM) \$295</b> All airbaths include a pre-leveled foam base.

Hydrotherapy Equipment & Cleaning Systems <i>Must be ordered at time of purchase.</i>
<b>Inline Heater</b> maintains water temperature <b>For Whirlpools or Stream Bath (HTI) \$570</b> Uses existing pump <i>Cannot be combined with Microbubbles.</i>
<b>Whirlpool Cleaning Systems</b> Fill-Flush (FFSO) <b>\$590</b> Simple Touch (FFE) <b>\$1,020</b> <i>Must specify stub-out location on order. See page 1 for location options.</i>
<b>Whirlpool Jets</b> Pump upgrade may be advisable for optimal performance when adding jets. <b>Point-Massage Jet</b> Extra Point-Massage Jet (EJ) <b>\$315</b> <b>Micro-Jet</b> from <b>\$360</b> <i>Jet styles and packages vary. Personalization available.</i>
<b>Pump Upgrade - 3-bhp (PUMP3) \$315</b>
<b>Jet Trim Kits</b> <b>For Standard Whirlpool</b> Chrome (TRC) <b>\$270</b> , Brushed Nickel (TRBN) <b>\$725</b> <b>For Ultra Whirlpool</b> Chrome (TRCU) <b>\$370</b> , Brushed Nickel (TRBNU) <b>\$960</b> <i>Other finishes available.</i>
<b>Ozonator (OZONE) \$515</b> <i>Cannot be added to soakers or airbaths without combination hydrotherapy package or HTISOAK.</i>

**Drains & Overflow Kits** *Toe Tap Rectangular Overflow must be ordered at time of purchase*

Cable Driven
<b>Drain Finishes – PVC Drain Kit</b> White/Biscuit (WOCDW) <b>\$440</b> Chrome (WOC) <b>\$410</b> Brushed Nickel (WOCDBN) <b>\$490</b> Polished Nickel (WOCDPN) <b>\$540</b> Oil-Rubbed Bronze* (WOCODR) <b>\$550</b> Polished Brass (WOCDBR) <b>\$690</b> Special Finishes* (WOCDSF) <b>\$1,135</b> <i>MTI does not offer a brass body cable drain kit.</i>

Toe Tap
<b>Round Overflow – PVC Drain Kit</b> Chrome (WOTTC) <b>\$380</b> Brushed Nickel (WOTTBN) <b>\$385</b> Polished Nickel (WOTTPN) <b>\$385</b> Special Finishes* (WOTTSF) <b>\$1,145</b> <b>Round Overflow – Solid Brass Drain</b> Chrome (WOTTSBC) <b>\$810</b> Brushed Nickel (WOTTSBBN) <b>\$810</b> Polished Nickel (WOTTSBPN) <b>\$810</b>

Toe Tap
<b>Rectangular Overflow – PVC Drain Kit</b> Chrome (WOTRC) <b>\$470</b> Brushed Nickel (WOTRBN) <b>\$430</b> White (WOTRW) <b>\$525</b> <b>Lift &amp; Turn</b> <b>Drain Finishes – PVC Drain Kit</b> Chrome (WOC) <b>\$185</b> White (WOW) <b>\$245</b> Brushed Nickel (WOBN) <b>\$305</b>

Slim-Line Overflow with Toe Tap Drain <i>Must be ordered at time of purchase.</i>
<ul style="list-style-type: none"> <li>Low profile overflow is factory installed</li> <li>Overflow measures 4.5" x 1"</li> <li>Provides a deeper soak</li> <li>Not available for commercial applications</li> </ul>

Slim-Line Overflow with Toe Tap Drain
<b>PVC Drain</b> Chrome (SLOTC) <b>\$500</b> Brushed Nickel (SLOTBN) <b>\$530</b> Polished Nickel (SLOTPN) <b>\$555</b> White (SLOTW) <b>\$430</b>

Slim-Line Overflow with Toe Tap Drain
<b>Solid Brass Drain</b> Chrome (SLOTSBC) <b>\$930</b> Brushed Nickel (SLOTSBBN) <b>\$935</b> Polished Nickel (SLOTSBPN) <b>\$935</b> White (SLOTSBW) <b>\$965</b>

\* MTI has selected an oil-rubbed bronze finish that is compatible with Delta and many other manufacturers. To ensure best match, order as a Special Finish and submit a sample.

\* Allow 2-4 weeks lead time for Special Finishes. Send sample for best match.

