

# Designer Collection Tubs

## Victoria 2

MODEL # 9

59.75" x 35.5" x 21.75"



### GENERAL SPECIFICATIONS

**Material** - Acrylic

**Installation** - Drop-in (cannot be undermounted)  
Not recommended as a tub / shower combination.

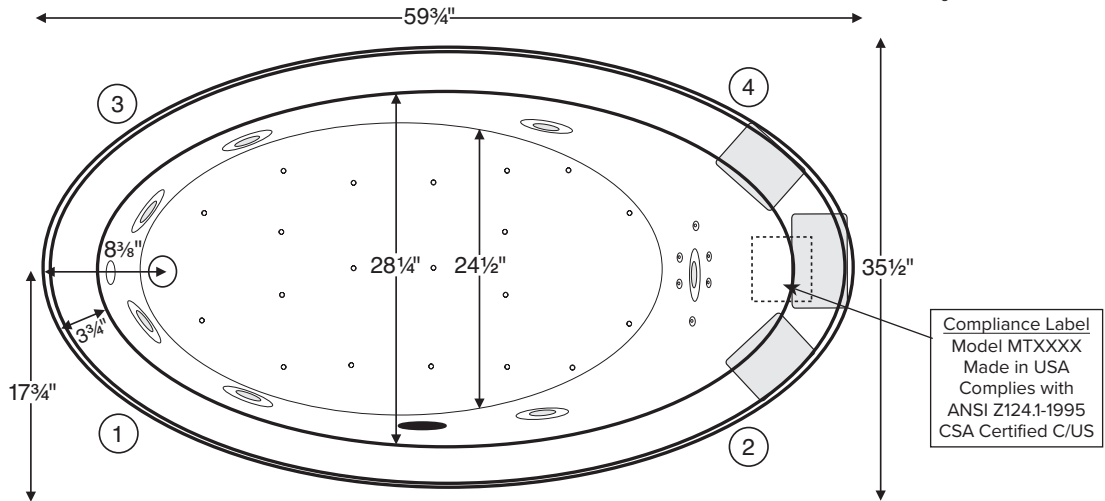
**Plumbed Weight** - 125 lbs / 57 kg

**Soaker Weight** - 100 lbs / 45 kg

**Average Fill** - 34 gal to above jet level

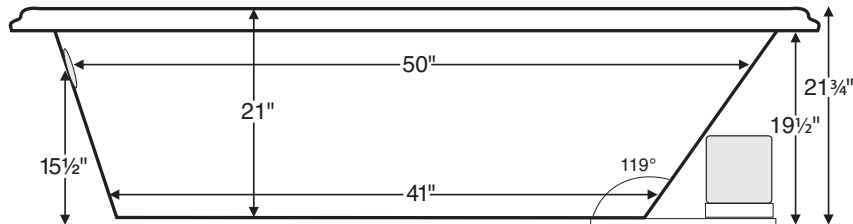
**Maximum Fill** - 60 gal to overflow

NOTE: Filling this tub to the maximum may require an above average size or dedicated water heater.



Compliance Label  
Model MTXXXX  
Made in USA  
Complies with  
ANSI Z124.1-1995  
CSA Certified C/US

Numbered areas represent possible locations to install cleaning systems, faucets and other fixtures.  
Shown with Air Massage and Ultra Whirlpool Package.



**IMPORTANT:**  
Air baths and tubs with a pre-leveled foam base add 2-3" to overall tub height.

### IMPORTANT ORDERING & INSTALLATION INFORMATION

- Before ordering or installing, please consider future access to equipment.
- Add proper bedding compound to fully level and support bottom of tub.
- When equipped with an air bath package, pre-leveled foam base or frame system, overall tub height is increased by approx. 2-3" and is designed to install on a flat, level subfloor.
- Radiance placed on airbath floor will affect placement of air jets.
- System components may extend beyond the perimeter of deck.
- Please measure tub **on-site** before building tub decking.
- Suction and control locations may vary.

### ELECTRICAL COMPONENTS & SPECIFICATIONS

Hydrotherapy Package	Components Included	GFCI / 110V
Standard Whirlpool	2-bhp pump	1-15 amp
Stream Bath	1/2-bhp	1-15 amp
Microbubbles	Microbubbles pump	1-15 amp
Ultra Whirlpool	2bhp pump, 1bhp pump, inline heater, ozone	2-20 amp
Air Massage	heated blower	1-15 amp
Air Massage Elite	heated blower, chromatherapy	1-15 amp
Air Massage w/ Stream Bath	1/2-bhp pump, heated blower	1-15 amp
Air Massage Elite w/ Stream Bath	1/2-bhp pump, heated blower, chromatherapy	1-15 amp

Hydrotherapy Package	Components Included	GFCI / 110V
Microbubbles with Air	Microbubbles pump, heated blower	1-20 amp
Microbubbles with Air Elite	Microbubbles pump, heated blower, chromatherapy	2-15 amp
Air with Whirlpool	2-bhp pump, heated blower	2-15 amp
Air with Ultra Whirlpool	2bhp pump, 1bhp pump, inline heater, heated blower, ozone	2-20 amp
Air Elite with Whirlpool	2-bhp pump, heated blower, chromatherapy	2-15 amp
Air Elite with Ultra Whirlpool	2bhp pump, 1bhp pump, inline heater, heated blower, chromatherapy, ozone	2-20 amp

See the Installation & Operation Manual for more details.  
MTI's Customer Service Monday-Friday 8am-6pm EST  
800-783-8827 or service@mtibaths.com

- Before discarding tub crate, check for accessories that may be packaged inside.
- All product measurements are  $\pm 1/2"$ .
- Specifications and configurations are subject to change without notice.
- Measurements herein supersede all others published prior to publication date below.

CSA # MTDS-9

©2021 by MTI Baths, Inc. Modification Rights Reserved



Victoria 2

MODEL # 9

59.75" x 35.5" x 21.75"

- Aromatherapy is eliminated for undermount applications
- Air Baths, Pre-Leveled Foam Base or Frame Systems increase overall height by 2-3".

Hydrotherapy Packages	Package Contents	Part #	MSRP
Soaker	Soaking bath - no jets	S9	\$1,760
Stream Bath	6 side vents, 2 end vents, 1-bhp pump	SM9	\$3,710
Microbubbles	1 microbubbles infusion port and pump	M9	\$4,260
Air Massage	20 air jets, heated air blower, pre-leveled foam base	AST9	\$4,660
Air Massage Elite	30 air jets, heated air blower, Chromatherapy LED lighting, Spa Mode ( <i>keypad must be remote mounted</i> ), pre-leveled foam base	AE9	\$6,450
Stream Bath with Air Massage	6 side vents, 2 end vents, 1-bhp pump, 20 air jets, heated air blower, pre-leveled foam base	ASTSM9	\$6,460
Stream Bath with Air Massage Elite	6 side vents, 2 end vents, 1-bhp pump, 30 air jets, heated air blower, Chromatherapy LED lighting, Spa Mode ( <i>keypad must be remote mounted</i> ), pre-leveled foam base	AESM9	\$8,235
Microbubbles with Air Massage	1 microbubbles infusion port and pump, 20 air jets, heated air blower, pre-leveled foam base	ASTM9	\$6,760
Microbubbles with Air Massage Elite	1 microbubbles infusion port and pump, 30 air jets, heated air blower, Chromatherapy LED lighting, Spa Mode ( <i>keypad must be remote mounted</i> ), pre-leveled foam base	AEM9	\$7,760
Standard Whirlpool	7 point-massage jets, 2-bhp pump	P9	\$3,660
Ultra Whirlpool	7 point-massage jets with 2 bhp pump, 6 micro-jets with Tsubo massage and 1 bhp pump, inline heater, Ozone	P9U	\$6,010
Air Massage with Standard Whirlpool	7point-massage jets, 2-bhp pump, 20 air jets, heated air blower, pre-leveled foam base	AW9	\$6,660
Air Massage with Ultra Whirlpool	7 point-massage jets with 2 bhp pump, 6 micro-jets with Tsubo massage and 1 bhp pump, inline heater, 20 air jets, heated air blower, Ozone, pre-leveled foam base	AU9	\$9,010
Air Massage Elite with Standard Whirlpool	7 point-massage jets, 2-bhp pump, 30 air jets, heated air blower, Chromatherapy LED lighting, Spa Mode ( <i>keypad must be remote mounted</i> ), pre-leveled foam base	AEAP9	\$8,210
Air Massage Elite with Ultra Whirlpool	7 point-massage jets with 2 bhp pump, 6 micro-jets with Tsubo massage and 1 bhp pump, inline heater, 30 air jets, heated air blower, Ozone, Chromatherapy LED lighting, Spa Mode ( <i>keypad must be remote mounted</i> ), pre-leveled foam base	AEAP9U	\$10,360

RECOMMENDED SENSORY THERAPIES

**Chromatherapy**

(LE) **\$640** underwater lighting  
2 LED lights included

**Audiotherapy**

(STEREOBT) **\$1,175** 2 transducers with bluetooth and amplifier  
(BTREMOTE) **\$490** bluetooth remote

(STEREOH202) **\$1,135** 4 transducers amplifier not included

**Thermotherapy**

(RAD100) **\$1,190** Radiance®  
2 heated zones included  
(HTISOAK) **\$785**



For more information on options and accessories go to Acrylic Tub Options on mtibaths.com

Options
<i>Must be ordered at time of purchase.</i>
<b>Standard Colors</b> White (CWH) Biscuit (CBS) <i>Please call for availability of special colors.</i>
<b>Quick Ship</b> reduces lead time (QSPRI) <b>\$380</b> <i>Please call for availability</i>
<b>Inline Heater</b> maintains water temperature <b>For Soaker or Air Baths (HTISOAK) \$785</b> Includes a recirculating pump <i>Cannot be combined with Microbubbles.</i>
<b>Virtual Spout</b> high-flow integrated tub filler (FPMJ) <b>\$350</b> <i>Must specify stub-out location on order. See page 1 for location options.</i>
<b>Grab Bars</b> from <b>\$300</b> <i>Selections vary. Personalization available.</i>
<b>Textured, Slip-Resistant Bottom (TXTBTM) \$100</b> Compliant with ASTM C 1028-07 friction coefficient.

Accessories
<b>Pillows</b> from <b>\$145</b>
<b>Teak Bath Mat (TKMAT3018) \$390</b> <i>Custom sizes also available. Contact MTI for details and pricing.</i>

Hydrotherapy Equipment & Cleaning Systems
<i>Must be ordered at time of purchase.</i>
<b>Inline Heater</b> maintains water temperature <b>For Whirlpools or Stream Bath (HTI) \$545</b> Uses existing pump <i>Cannot be combined with Microbubbles.</i>
<b>Whirlpool Cleaning Systems</b> <b>Fill-Flush (FFSO) \$590</b> <b>Simple Touch (FFE) \$800</b> <i>Must specify stub-out location on order. See page 1 for location options.</i>
<b>Whirlpool Jets</b> Pump upgrade may be advisable for optimal performance when adding jets. <b>Point-Massage Jet</b> Extra Point-Massage Jet (EJ) <b>\$300</b> <b>Micro-Jet</b> from <b>\$345</b> <i>Jet styles and packages vary. Personalization available.</i>
<b>Pump Upgrade - 3-bhp (PUMP3) \$245</b>
<b>Jet Trim Kits</b> <b>For Standard Whirlpool</b> Chrome (TRC) <b>\$235</b> , Brushed Nickel (TRBN) <b>\$595</b> <b>For Ultra Whirlpool</b> Chrome (TRCU) <b>\$320</b> , Brushed Nickel (TRBNU) <b>\$820</b> <i>Other finishes available.</i>
<b>Ozonator (OZONE) \$535</b> <i>Cannot be added to soakers or airbaths without combination hydrotherapy package or HTISOAK.</i>

**Installation Options** *Must be ordered at time of purchase.*

**Pre-Leveled Foam Base (PLFOAM) \$175**  
All airbaths include a pre-leveled foam base.

**Drains & Overflow Kits**

<b>Cable Driven</b>	<b>Toe Tap</b>
<b>Drain Finishes</b> – PVC Drain Kit	<b>Round Overflow</b> – PVC Drain Kit
White/Bone/Biscuit (WOCDW) <b>\$345</b>	Chrome (WOTTC) <b>\$300</b>
Chrome (WOC) <b>\$325</b>	Brushed Nickel (WOTBN) <b>\$325</b>
Brushed Nickel (WOCDBN) <b>\$395</b>	Polished Nickel (WOTPN) <b>\$340</b>
Polished Nickel (WOCDPN) <b>\$515</b>	Special Finishes* (WOTTSF) <b>\$970</b>
Oil-Rubbed Bronze+ (WOCBOR) <b>\$525</b>	<b>Round Overflow</b> – Solid Brass Drain
Polished Brass (WOCDBR) <b>\$505</b>	Chrome (WOTTSBC) <b>\$755</b>
Special Finishes* (WOCDSF) <b>\$835</b>	Brushed Nickel (WOTTSBN) <b>\$755</b>
<i>MTI does not offer a brass body cable drain kit.</i>	Polished Nickel (WOTTSBPN) <b>\$755</b>
<b>Lift &amp; Turn</b>	
<b>Drain Finishes</b> – PVC Drain Kit	
Chrome (WOC) <b>\$130</b>	
White (WOW) <b>\$190</b>	
Brushed Nickel (WOBN) <b>\$235</b>	

\* MTI has selected an oil-rubbed bronze finish that is compatible with Delta and many other manufacturers. To ensure best match, order as a Special Finish and submit a sample.

\* Allow 2-4 weeks lead time for Special Finishes. Send sample for best match.

