



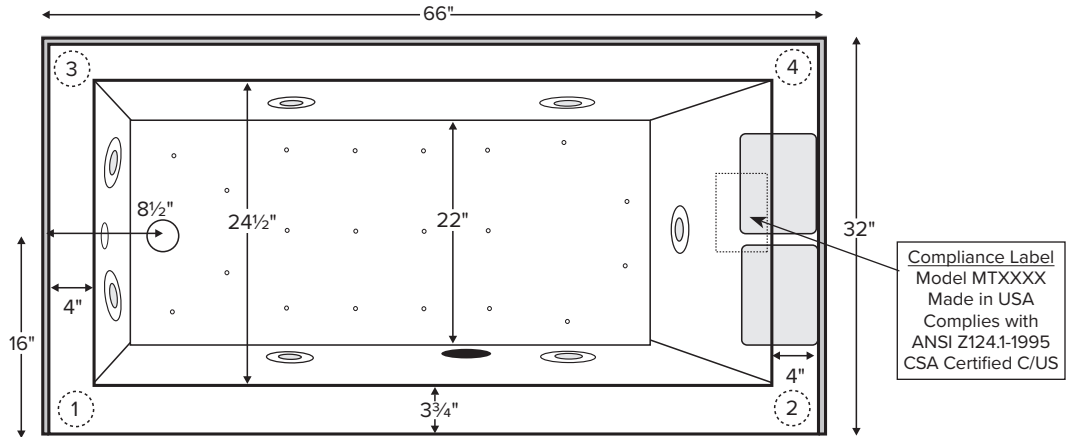
Features integral skirting and tile flange.

Designer Collection Tubs

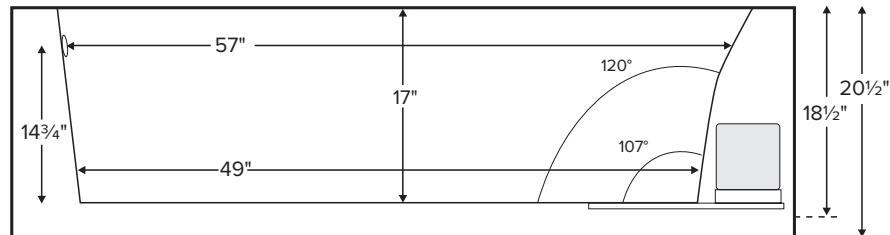
Cameron 3
MODEL # 153
66" x 32" x 20.5"

GENERAL SPECIFICATIONS

Material - Acrylic
Installation - Alcove
Plumbed Weight - 140 lbs / 64 kg
Soaker Weight - 115 lbs / 52 kg
Average Fill - 40 gal to above jet level
Maximum Fill - 67 gal to overflow
 NOTE: Filling this tub to the maximum may require an above average size or dedicated water heater.



Numbered areas on tub deck represent possible locations to install cleaning systems, faucets and other fixtures. Shown with Air Massage and Ultra Whirlpool Package.



IMPORTANT ORDERING & INSTALLATION INFORMATION

- Before ordering or installing, please consider future access to equipment.
- Must specify left- or right-hand drain when ordering.
- Non-removable skirt provides no access to equipment. Must have end-access for servicing.
- This tub model is designed to install on a flat, level subfloor.
- Radiance placed on airbath floor will affect placement of air jets.
- System components may extend beyond the perimeter of deck.
- Advise MTI when planning to use a glass enclosure. Relocation of controls may be necessary.
- Suction and control locations may vary.

ELECTRICAL COMPONENTS & SPECIFICATIONS

Hydrotherapy Package	Components Included	GFCI / 110V
Standard Whirlpool	2-bhp pump	1-15 amp
Stream Bath	1/2-bhp	1-15 amp
Microbubbles	Microbubbles pump	1-15 amp
Ultra Whirlpool	2-bhp pump x 2, inline heater, ozone	2-20 amp
Air Massage	heated blower	1-15 amp
Air Massage Elite	heated blower, chromatherapy	1-15 amp
Air Massage w/ Stream Bath	1/2-bhp pump, heated blower	1-15 amp
Air Massage Elite w/ Stream Bath	1/2-bhp pump, heated blower, chromatherapy	1-15 amp

Hydrotherapy Package	Components Included	GFCI / 110V
Microbubbles with Air	Microbubbles pump, heated blower	1-20 amp
Microbubbles with Air Elite	Microbubbles pump, heated blower, chromatherapy	2-15 amp
Air with Whirlpool	2-bhp pump, heated blower	2-15 amp
Air with Ultra Whirlpool	2-bhp pump x 2, inline heater, heated blower, ozone	2-20 amp
Air Elite with Whirlpool	2-bhp pump, heated blower, chromatherapy	2-15 amp
Air Elite with Ultra Whirlpool	2-bhp pump x 2, inline heater, heated blower, chromatherapy, ozone	2-20 amp

See the Installation & Operation Manual for more details.
 MTI's Customer Service Monday-Friday 8am-6pm EST
 800-783-8827 or service@mtibaths.com

- Before discarding tub crate, check for accessories that may be packaged inside.
- All product measurements are ±1/2".
- Specifications and configurations are subject to change without notice.
- Measurements herein supersede all others published prior to publication date below.



Hydrotherapy Packages	Package Contents	Part #	MSRP
Soaker	Soaking bath - no jets; features integral skirting (no front access), integral tile flange, pre-leveled foam base Note: Overall tub height can be reduced by 2" for soakers only. Must specify on order.	S153	\$2,100
Stream Bath	6 side vents, 2 end vents, 1-bhp pump integral skirting (no front access), integral tile flange, pre-leveled foam base	SM153	\$4,050
Microbubbles	1 microbubbles infusion port and pump; features integral skirting (no front access), integral tile flange, pre-leveled foam base	M153	\$4,600
Air Massage	20 air jets, heated air blower, Aromatherapy, integral skirting (no front access), integral tile flange, pre-leveled foam base	AST153	\$5,000
Air Massage Elite	30 air jets, heated air blower, Aromatherapy, Chromotherapy LED lighting, Spa Mode, integral skirting (no front access), integral tile flange, pre-leveled foam base	AE153	\$6,790
Stream Bath with Air Massage	6 side vents, 2 end vents, 1-bhp pump, 20 air jets, heated air blower, Aromatherapy, integral skirting (no front access), integral tile flange, pre-leveled foam base	ASTSM153	\$6,800
Stream Bath with Air Massage Elite	6 side vents, 2 end vents, 1-bhp pump, 30 air jets, heated air blower, Aromatherapy, Chromotherapy LED lighting, Spa Mode, integral skirting (no front access), integral tile flange, pre-leveled foam base	AESM153	\$8,575
Microbubbles with Air Massage	1 microbubbles infusion port and pump, 20 air jets, heated air blower, Aromatherapy, integral skirting (no front access), integral tile flange, pre-leveled foam base	ASTM153	\$7,100
Microbubbles with Air Massage Elite	1 microbubbles infusion port and pump, 30 air jets, heated air blower, Aromatherapy, Chromotherapy LED lighting, Spa Mode, integral skirting (no front access), integral tile flange, pre-leveled foam base	AEM153	\$8,100
Standard Whirlpool	5 point-massage jets, 2-bhp pump, integral skirting (no front access), integral tile flange, pre-leveled foam base	P153	\$4,000
Ultra Whirlpool	7 point-massage jets, 2-bhp pump, inline heater, Ozone, integral skirting (no front access), integral tile flange, pre-leveled foam base	P153U	\$5,350
Air Massage with Standard Whirlpool	5 point-massage jets, 2-bhp pump, 20 air jets, heated air blower, Aromatherapy, integral skirting (no front access), integral tile flange, pre-leveled foam base	AW153	\$7,000
Air Massage with Ultra Whirlpool	7 point-massage jets, 2-bhp pump, inline heater, 20 air jets, heated air blower, Aromatherapy, Ozone, integral skirting (no front access), integral tile flange, pre-leveled foam base	AU153	\$8,350
Air Massage Elite with Standard Whirlpool	5 point-massage jets, 2-bhp pump, 30 air jets, heated air blower, Aromatherapy, Chromotherapy LED lighting, Spa Mode, integral skirting (no front access), integral tile flange, pre-leveled foam base	AEAP153	\$8,550
Air Massage Elite with Ultra Whirlpool	7 point-massage jets, 2-bhp pump, inline heater, 30 air jets, heated air blower, Aromatherapy, Chromotherapy LED lighting, Spa Mode, Ozone integral skirting (no front access), integral tile flange, pre-leveled foam base	AEAP153U	\$9,700

RECOMMENDED SENSORY THERAPIES

Chromatherapy

(LE) **\$640** underwater lighting
 2 LED lights included

Audiotherapy

(STEREOBT) **\$1,175** 2 transducers
 with bluetooth and amplifier
 (BTREMOTE) **\$490** bluetooth remote

(STEREOH202) **\$1,135** 4 transducers
 amplifier not included

Thermaaltherapy

(RAD100) **\$1,190** Radiance®
 2 heated zones included
 (HTISOAK) **\$785**



For more information on options and accessories go to Acrylic Tub Options on mtibaths.com

Cameron 3
MODEL # 153

Options
<i>Must be ordered at time of purchase.</i>
Standard Colors White (CWH) Biscuit (CBS) <i>Please call for availability of special colors.</i>
Quick Ship reduces lead time (QSPRI) \$380 <i>Please call for availability</i>
Inline Heater maintains water temperature For Soaker or Air Baths (HTISOAK) \$785 Includes a recirculating pump <i>Cannot be combined with Microbubbles.</i>
Virtual Spout high-flow integrated tub filler (FPMJ) \$350 <i>Must specify stub-out location on order. See page 1 for location options.</i>
Grab Bars from \$300 <i>Selections vary. Personalization available.</i>
Textured, Slip-Resistant Bottom (TXTBTM) \$100 Compliant with ASTM C 1028-07 friction coefficient.
Accessories
Pillows from \$145
Teak Bath Mat (TKMAT3018) \$390 <i>Custom sizes also available. Contact MTI for details and pricing.</i>
Teak Tub Tray \$315 Slatted (TK-TRAY1), Solid (TK-TRAY2)

Hydrotherapy Equipment & Cleaning Systems
<i>Must be ordered at time of purchase.</i>
Inline Heater maintains water temperature For Whirlpools or Stream Bath (HTI) \$545 Uses existing pump <i>Cannot be combined with Microbubbles.</i>
Whirlpool Cleaning Systems Fill-Flush (FFSO) \$590 Simple Touch (FFE) \$800 <i>Must specify stub-out location on order. See page 1 for location options.</i>
Whirlpool Jets Pump upgrade may be advisable for optimal performance when adding jets. Point-Massage Jet Extra Point-Massage Jet (EJ) \$300 Micro-Jet from \$345 <i>Jet styles and packages vary. Personalization available.</i>
Pump Upgrade - 3-bhp (PUMP3) \$245
Jet Trim Kits For Standard Whirlpool Chrome (TRC) \$235 , Brushed Nickel (TRBN) \$595 For Ultra Whirlpool Chrome (TRCU) \$320 , Brushed Nickel (TRBNU) \$820 <i>Other finishes available.</i>
Ozonator (OZONE) \$535 <i>Cannot be added to soakers or airbaths without combination hydrotherapy package or HTISOAK.</i>

Drains & Overflow Kits *Toe Tap Rectangular Overflow must be ordered at time of purchase*

<p>Cable Driven</p> <p>Drain Finishes – PVC Drain Kit White/Biscuit (WOCDW) \$345 Chrome (WOCD) \$325 Brushed Nickel (WOCDBN) \$395 Polished Nickel (WOCDPN) \$515 Oil-Rubbed Bronze* (WOCDOR) \$525 Polished Brass (WOCDBR) \$505 Special Finishes* (WOCDSF) \$835 <i>MTI does not offer a brass body cable drain kit.</i></p>	<p>Toe Tap</p> <p>Round Overflow – PVC Drain Kit Chrome (WOTTC) \$300 Brushed Nickel (WOTTBN) \$325 Polished Nickel (WOTTPN) \$340 Special Finishes* (WOTTSF) \$970</p> <p>Round Overflow – Solid Brass Drain Chrome (WOTTSBC) \$755 Brushed Nickel (WOTTSBBN) \$755 Polished Nickel (WOTTSBPN) \$755</p>	<p>Toe Tap</p> <p>Rectangular Overflow – PVC Drain Kit Chrome (WOTRC) \$315 Brushed Nickel (WOTRBN) \$325 White (WOTRW) \$350</p> <p>Lift & Turn</p> <p>Drain Finishes – PVC Drain Kit Chrome (WOC) \$130 White (WOW) \$190 Brushed Nickel (WOBN) \$235</p>
<p>Slim-Line Overflow with Toe Tap Drain <i>Must be ordered at time of purchase.</i></p> <ul style="list-style-type: none"> Low profile overflow is factory installed Overflow measures 4.5" x 1" Provides a deeper soak Not available for commercial applications 	<p>Slim-Line Overflow with Toe Tap Drain PVC Drain Chrome (SLOT) \$390 Brushed Nickel (SLOTBN) \$400 Polished Nickel (SLOTBN) \$410 White (SLOTW) \$400</p>	<p>Slim-Line Overflow with Toe Tap Drain Solid Brass Drain Chrome (SLOTSBC) \$825 Brushed Nickel (SLOTSBBN) \$825 Polished Nickel (SLOTSBPN) \$825 White (SLOTSBW) \$825</p>

* MTI has selected an oil-rubbed bronze finish that is compatible with Delta and many other manufacturers. To ensure best match, order as a Special Finish and submit a sample.

* Allow 2-4 weeks lead time for Special Finishes. Send sample for best match.

