



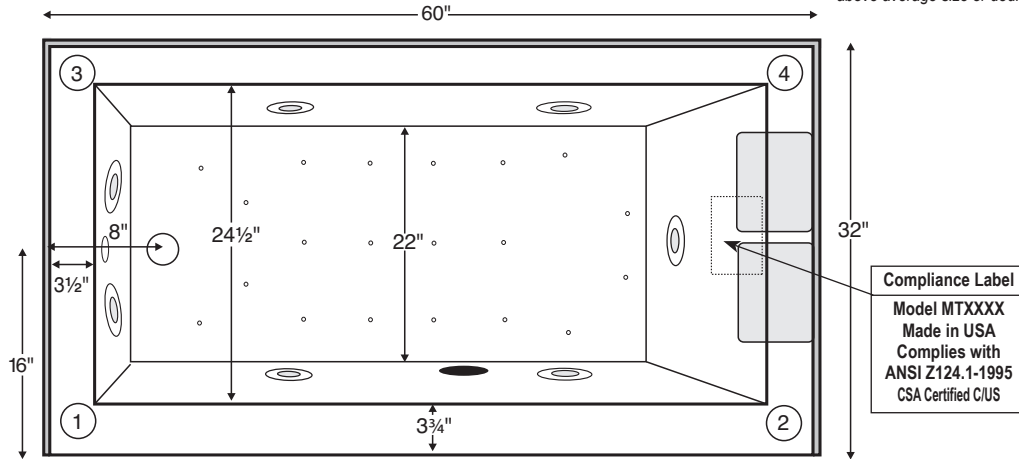
Features integral skirting and tile flange.

Cameron 1

60" x 32" x 20.625"

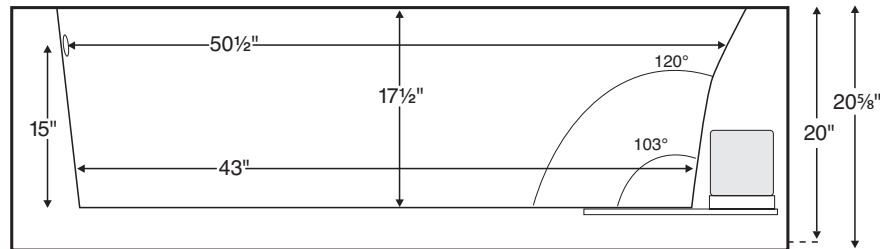
GENERAL SPECIFICATIONS:

- Material** - Acrylic
 - Installation** - Alcove
 - Plumbed Weight** - 130 lbs / 59 kg
 - Soaker Weight** - 105 lbs / 48 kg
 - Average Fill** - 30 gal to above jet level
 - Maximum Fill** - 57 gal to overflow
- NOTE: Filling this tub to the maximum may require an above average size or dedicated water heater.*



Numbered areas on tub deck represent possible locations to install cleaning systems, faucets and other fixtures.

Shown with Air Massage and Ultra Whirlpool Package.



ELECTRICAL COMPONENTS & SPECIFICATIONS		
Required Electrical Service - 110 Volt		
Hydrotherapy Package	Components Included	GFCI
Standard Whirlpool	2-bhp pump	1-15 amp
Ultra Whirlpool	2-bhp pump, inline heater	2-15 amp
Air Massage	heated blower	1-15 amp
Air Massage Elite	heated blower, chromatherapy	1-15 amp
Air Massage with Standard Whirlpool	2-bhp pump, heated blower	2-15 amp
Air Massage with Ultra Whirlpool	2-bhp pump, inline heater, heated blower	2-20 amp
Air Massage Elite with Standard Whirlpool	2-bhp pump, heated blower, chromatherapy	2-15 amp
Air Massage Elite with Ultra Whirlpool	2-bhp pump, inline heater, heated blower, chromatherapy	2-20 amp

For electrical requirements of tub options, see page C-2.
CSA Certified C/US; ANSI Z124.1 for plastic tubs and ANSI 112.19.7 for whirlpool components.

IMPORTANT ORDERING & INSTALLATION INFORMATION:

- Before ordering or installing, please consider future access to equipment.
- Cameron includes integral front skirting, tile flange on 3 sides and a pre-leveled foam base to facilitate the installation process.
- Tub is available with a left- or right-hand drain location. **Must specify on order.**
- Overall standard tub height is 20.625", but can be reduced by as low as 18.625" ONLY when ordered as a soaker. **Must specify on order.**
- Skirting is non-removable and provides no access. Must have end access for servicing of equipment.
- If you plan to use a glass enclosure, MTI must be advised when ordering for possible relocation of systems controls.
- Suction and control locations may vary.
- Specifications and configurations are subject to change without notice.
- Measurements are ±1/2" and are subject to change without notice.
- Measurements herein supersede all others published prior to publication date shown below.

See the "Designer Collection Tubs Installation & Operation Manual" included with tub delivery or go to mtibaths.com/support/installation_operation/manuals for all the information necessary to install and operate the tub.

MTI's Customer Service Department is available Monday-Friday 8am-6pm EST at 800-783-8827 or customerservice@mtibaths.com to answer any questions pertaining to ordering or installation.



Hydrotherapy Packages	Package Contents	Standard Pump/Blower Locations	Part #	MSRP
Soaker	soaking bath - no jets; features integral skirting (no front access), integral tile flange, pre-leveled foam base <i>Note: Overall tub height can be reduced by 2" for soakers only. Must specify on order.</i>		S151	\$1,625
Whirlpool Packages	<i>Standard Whirlpool</i> 5 point-massage jets, 2-bhp pump; integral skirting (no front access), integral tile flange, pre-leveled foam base		P151	\$3,120
	<i>Ultra Whirlpool</i> 7 point-massage jets, 2-bhp pump, inline heater, integral skirting (no front access), integral tile flange, pre-leveled foam base		P151U	\$4,195
Air Bath Packages	<i>Air Massage</i> 20 air jets, heated air blower, Aromatherapy, integral skirting (no front access), integral tile flange, pre-leveled foam base		AST151	\$4,225
	<i>Air Massage Elite</i> 30 air jets, heated air blower, Aromatherapy, Chromotherapy LED lighting, Spa Mode, integral skirting (no front access), integral tile flange, pre-leveled foam base		AE151	\$5,825
Air Bath / Whirlpool Combo Packages	<i>Air Massage with Standard Whirlpool</i> 5 point-massage jets, 2-bhp pump, 20 air jets, heated air blower, Aromatherapy, integral skirting (no front access), integral tile flange, pre-leveled foam base		AW151	\$5,645
	<i>Air Massage with Ultra Whirlpool</i> 7 point-massage jets, 2-bhp pump, inline heater, 20 air jets, heated air blower, Aromatherapy, integral skirting (no front access), integral tile flange, pre-leveled foam base		AU151	\$6,460
	<i>Air Massage Elite with Standard Whirlpool</i> 5 point-massage jets, 2-bhp pump, 30 air jets, heated air blower, Aromatherapy, Chromotherapy LED lighting, Spa Mode, integral skirting (no front access), integral tile flange, pre-leveled foam base		AEAP151	\$6,945
	<i>Air Massage Elite with Ultra Whirlpool</i> 7 point-massage jets, 2-bhp pump, inline heater, 30 air jets, heated air blower, Aromatherapy, Chromotherapy LED lighting, Spa Mode, integral skirting (no front access), integral tile flange, pre-leveled foam base		AEAP151U	\$7,825

Lead Time - Soakers and Whirlpool Packages - 5 business days
Air Baths and Combo Packages - 7 business days

NOTE: Front skirting is non-removable and provides no access. Must have side access for servicing of equipment.

Premium Options	<i>NOTE: part codes for all options listed in parenthesis.</i>
Stream Bath - provides a relaxing water current (STREAM) \$1,695 <i>Available for soaker or air bath packages only. See p. C-3 for detailed specifications.</i>	
Radiance - integrated tub shell heating system (RAD100) \$999 <i>see p. C-5</i>	
Chromotherapy - underwater LED lighting (LE) \$560 <i>see p. C-6</i> <i>Included in some hydrotherapy packages listed above.</i>	
Stereo H₂O - includes 4 integrated audio transducers (STEREOH20) \$1,099 <i>Requires audio source(s) and amplification not provided by MTI - see p. C-7.</i>	
Standard Options	
Standard Colors: White (CWH), Bone (CBN), Biscuit (CBS) Color Upgrade: (COL2) \$485 <i>See p. C-1 for individual color part codes.</i>	
Quick Ship - reduces lead time - please call for availability (QSPRI) \$350	
Textured, Slip-Resistant Bottom - meets ASTM F-462-1994 (TXBTM) \$70	
Virtual Spout - high-flow integrated tub filler (FPMJ) \$300 <i>see p. C-11</i>	
Inline Heater - included in some hydrotherapy packages listed above - <i>see p. C-9</i> Whirlpools or Combo Packages (HTI) \$495 Soaker, Air Baths or Stream Bath (HTISOAK) \$695 <i>Includes a recirculating pump.</i>	

Accessories & Hardware for All Packages
Drain Kits - other finishes also available <i>see pp. C-12-13</i>
Toe-Tap with Slim-Line Integrated Overflow <i>Choose from:</i> Chrome (SLOT C), Brushed Nickel (SLOTBN), Polished Nickel (SLOT PN) or White (SLOTWH) \$400
Toe-Tap with Rectangular Overflow - Chrome (WOTRC) \$260 ; Brushed Nickel (WOTRBN) \$265 ; White (WOTRW) \$265
Toe-Tap with Round Overflow - Chrome (WOTTC) \$260 ; Brushed Nickel (WOTTBN) \$265 ; Polished Nickel (WOTTPN) \$315
Cable Driven - Chrome (WOCD) \$290 ; Brushed Nickel (WOCD BN) \$335 ; Polished Nickel (WOCD PN) \$475 ; Oil-Rubbed Bronze (WOCDOR) \$475
Lift & Turn - Chrome (WOC) \$115 ; Brushed Nickel (WOBN) \$210
Grab Bars - 9" Curved, set of 2 <i>see p. C-14</i> Acrylic - color-matched with tub - <i>standard colors only</i> (GB) \$290 Metal - Chrome (GBMCC), Brushed Nickel (GBMCBN) \$320
Pillows - from \$115 <i>see p. C-14</i>
Teak Tub Tray - Slatted (TK-TRAY1) or Solid (TK-TRAY2) \$395 <i>see p. C-15</i>
Teak Bath Mat (TK-MAT3018) \$395 <i>custom sizes also available - see p. C-15</i>
Accessories & Cleaning Systems for Whirlpool Packages
Trim Kits - <i>must be ordered at time of tub purchase; other finishes available - see p. C-19</i> Standard Whirlpool - Chrome (TRC) \$220 ; Brushed Nickel (TRBN) \$550 Ultra Whirlpool - Chrome (TRCU) \$295 ; Brushed Nickel (TRBNU) \$750
Pump Upgrade - 3-bhp (PUMP3) \$230
Additional Jet Options <i>see p. C-18</i>
Whirlpool Cleaning Systems - <i>see pp. C-20-24</i> Fill-Flush (FFSO) \$560 ; Simple Touch (FFE) \$650
Ozonator - bath water purification system (OZONE) \$495 <i>see p. C-25</i>



Cameron 1 features integral skirting, tile flange and includes a pre-leveled foam base. Available with a left- or right-hand drain. **Must specify on order.**

Note: Addition of options may alter standard pump/blower locations shown above.