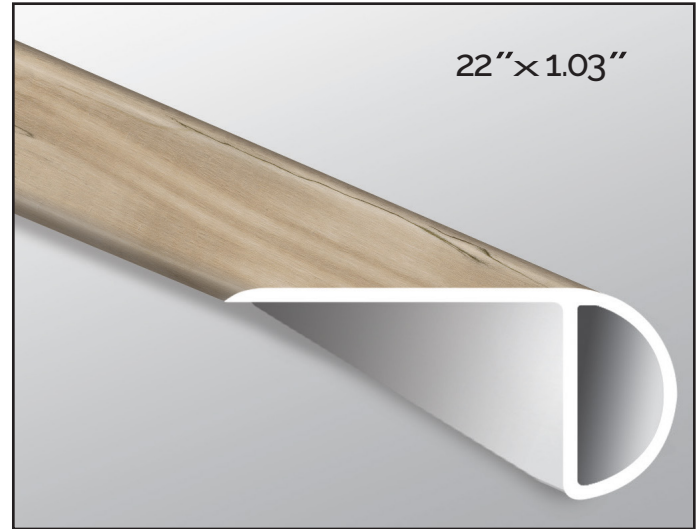


Making Dream Surfaces Attainable

STAIR NOSE (OVERLAPPING)

Stair noses are used to finish the end of a step



INSTALLATION

