

### AirButler Package

#### MS AirButler Package

For models MS90 to MSSUPER3

#### BOX CONTENT

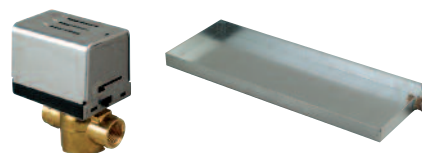
- AirTempo®
- AromaSteam Steamhead
- AutoFlush® System
- SteamLinx Module & Mobile App
- Condensation Pan



#### MAX AirButler Package

For models MX4, MX5 and MX6

Same as AirButler Package except with an additional Steamhead, MAX AutoFlush, and Condensation Pan.



**NOTE:** When ordered with the Linear Steamhead, standard steamhead(s) are replaced with Linear Steamhead(s)

**FOR ILLUSTRATIVE PURPOSES ONLY. IMPORTANT NOTE: FOR SAFE AND TROUBLE FREE INSTALLATION** visit [mrsteam.com](http://mrsteam.com) before installation to download the Installation, Operation and Maintenance Manual or refer to the manual provided with the unit.

MODEL	COLOR	FINISH	PROJECT INFORMATION
<input type="checkbox"/> MSABUTLER	<input type="checkbox"/> B Black	<input type="checkbox"/> PC - Polished Chrome	Location:
<input type="checkbox"/> MAXABUTLER	<input type="checkbox"/> W White	<input type="checkbox"/> BN - Brushed Nickel	Architect:
		<input type="checkbox"/> PN - Polished Nickel	Engineer:
		<input type="checkbox"/> ORB - Oil Rubbed Bronze	Contractor:
		<input type="checkbox"/> BB - Brushed Bronze	Submitted By:
		<input type="checkbox"/> PB - Polished Brass	Date:
		<input type="checkbox"/> SB - Satin Brass	
OPTIONS: <input type="checkbox"/> Linear Steamhead			
Notes:			

### AirTempo® Controls

True wireless control. A “nomadic” way to control your steam, whether installed on a wall or easily positioned on your bathroom vanity. Simply peel & stick for tool-free installation. It can even be attached to a glass shower wall.

#### AirTempo Control Features:

- Wall mounted, battery powered wireless control
- LCD display
- Capacitive touch panel
- 60 foot range from generator
- Programmable temperature
- AromaSteam Steamhead in matching finish
- RF transceiver
- Flush mount or surface mount options
- 100% waterproof electronic assembly
- Compatibility with SteamLinx™
- Powered by two CR2450 coin cell batteries (included)

The AirTempo controls are designed to be installed inside or outside the steam room but is primarily installed inside the steam room. If the control is installed inside the steam room the control must be located:

- 4-5 feet above the floor
- in a location representative of the desired steam bathing temperatures. Do not locate the control above or near the steamhead or direct steam emissions.
- on a vertical wall

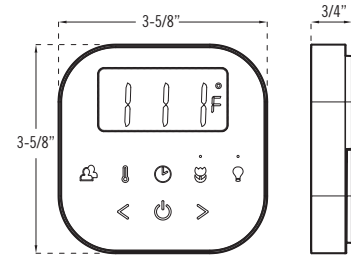
The communication range of the control is 60 feet, the wireless receiver can be moved closer to the steam room by using a longer cable if the generator is more than 60 feet from the steam room or if construction materials impede the wireless signal.

If the control is installed outside the steam room a Remote Temperature Probe Part Number MST5 must be installed inside the steam room.

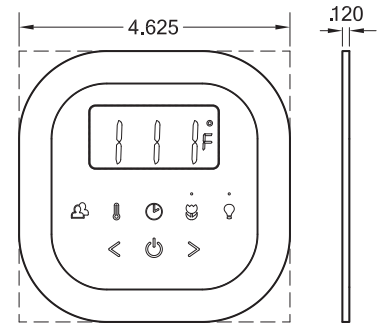
#### Box Contents:

- AirTempo
- Steamhead
- Wireless Receiver
- Control Cable (3 ft.)
- Tube of Silicone Sealant
- Owner’s Manual
- Batteries
- Mounting Hardware

#### Dimensions for the Surface Mount Control:



#### Dimensions for the Flush Mount Control:



#### FOR ILLUSTRATIVE PURPOSES ONLY.

**IMPORTANT NOTE: FOR SAFE AND TROUBLE FREE INSTALLATION** visit [mrsteam.com](http://mrsteam.com) before installation to download the Installation, Operation and Maintenance Manual or refer to the manual provided with the unit.

MODEL	MOUNTING STYLE	FINISH	PROJECT INFORMATION
AirTempo	<input type="checkbox"/> Surface Mount	<input type="checkbox"/> PC - Polished Chrome	Location:
	<input type="checkbox"/> Flush Mount Square*	<input type="checkbox"/> BN - Brushed Nickel	Architect:
	<input type="checkbox"/> Flush Mount Round*	<input type="checkbox"/> PB - Polished Brass	Engineer:
		<input type="checkbox"/> SB - Satin Brass	Contractor:
		<input type="checkbox"/> BB - Brushed Bronze	Submitted By:
		<input type="checkbox"/> PN - Polished Nickel	Date:
*The flush mount kit is sold separately 104232RD or 104232SQ			
Notes:			

AutoFlush®

**Box Contents**

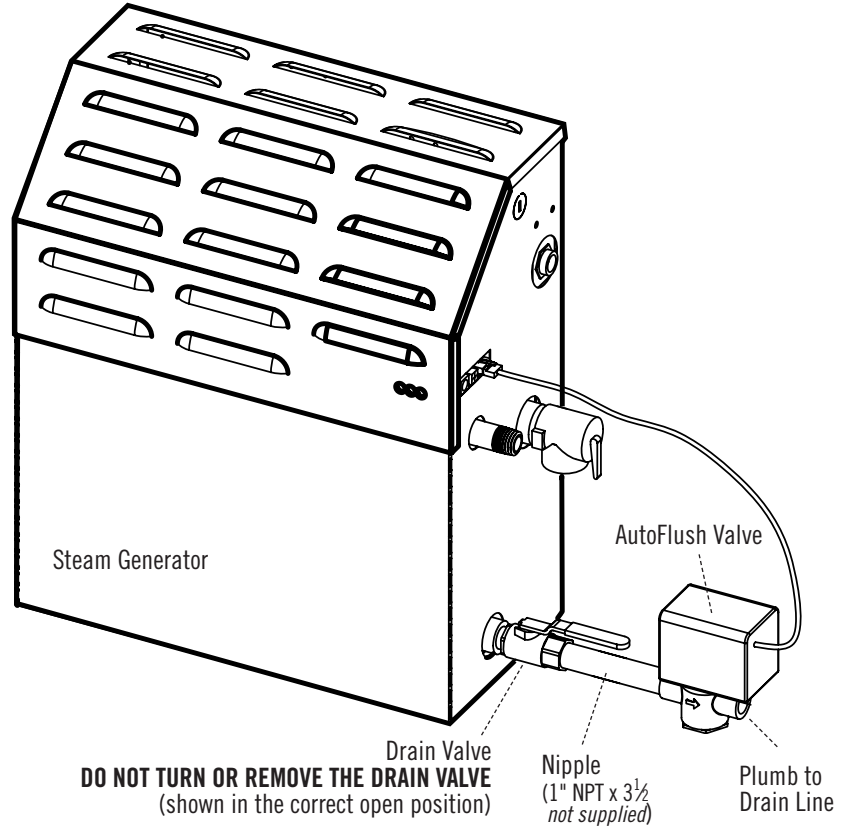
- AutoFlush Valve with Cord
- Installation instructions

**Operation**

The optional AutoFlush System feature automatically drains the MrSteam system following each use. A time delay allows the water to cool down (about two hours) before it drains by gravity for a safe and gentle operation.

**Note:** If the Express Steam® option has been installed, the AutoFlush will drain for ten minutes then refill with fresh water to begin the pre-heat cycle.

**AutoFlush Shown Fully Assembled**



Our exclusive AutoFlush automatically and electronically drains the system, providing CleanSteam... Every Time® and introduces fresh water.

**FOR ILLUSTRATIVE PURPOSES ONLY. IMPORTANT NOTE: FOR SAFE AND TROUBLE FREE INSTALLATION** visit [mrsteam.com](http://mrsteam.com) before installation to download the Installation, Operation and Maintenance Manual or refer to the manual provided with the unit.

MODEL	PROJECT INFORMATION	
MS 81500E	Location:	Contractor:
	Architect:	Submitted By:
	Engineer:	Date:
Notes:		

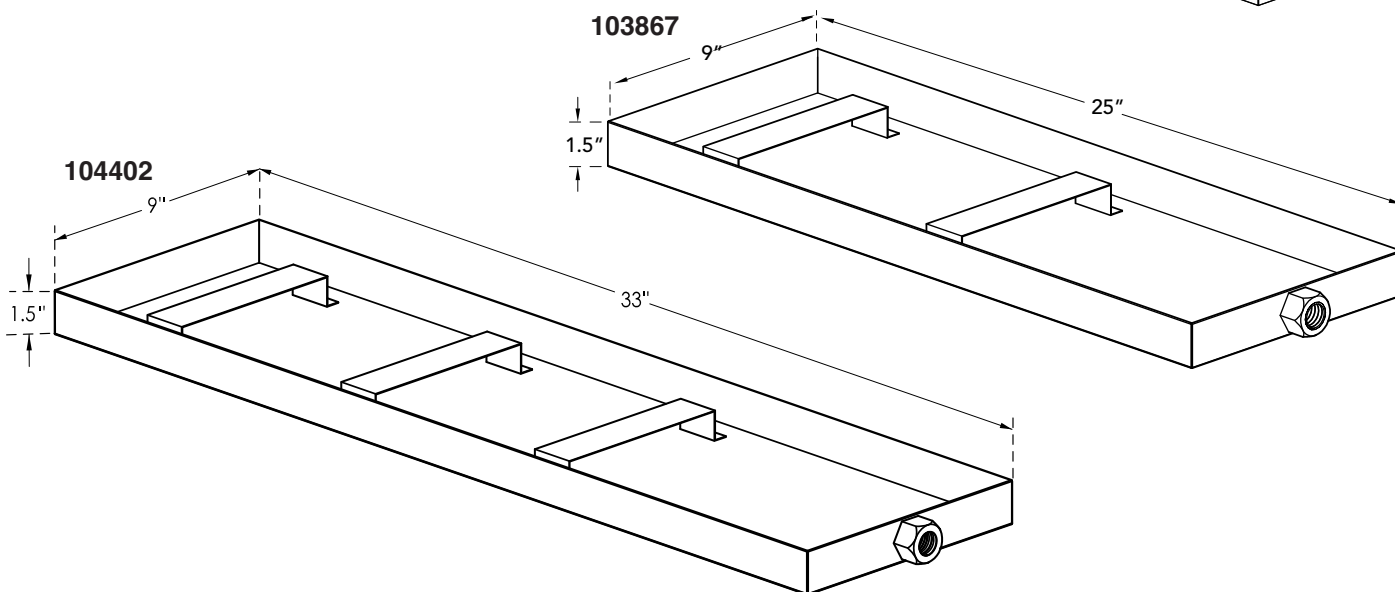
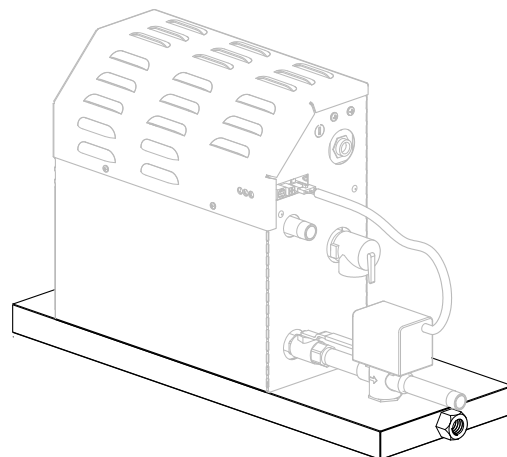
Condensation Pan

103867 & 104402

Mr.Steam strongly recommends the use of a condensation pan in the unlikely event of a plumbing leak.

Locate the condensation pan on a solid level surface and place the steam generator inside the condensation pan. Insure the steam generator is level.

All plumbing shall be performed by a qualified licensed plumber and in accordance with applicable national and local codes. Check local plumbing code for receptor, trap and vent requirements. Condensation pans drain by gravity. The condensation pan is equipped with an integral 3/4" NPT fitting.



**NOTE:** For MX4E, MX5E and MX6E use model 104402

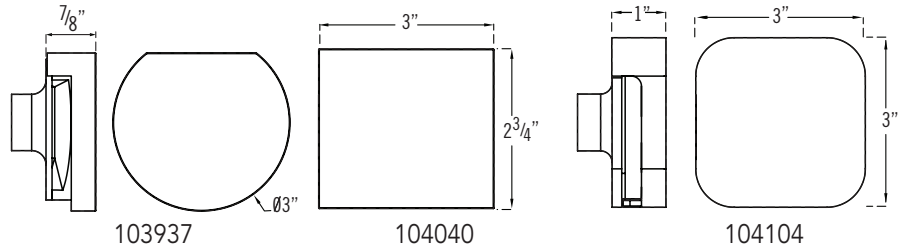
**FOR ILLUSTRATIVE PURPOSES ONLY. IMPORTANT NOTE: FOR SAFE AND TROUBLE FREE INSTALLATION** visit [mrsteam.com](http://mrsteam.com) before installation to download the Installation, Operation and Maintenance Manual or refer to the manual provided with the unit.

MODEL	PROJECT INFORMATION	
<input type="checkbox"/> 103867	Location:	Contractor:
<input type="checkbox"/> 104402	Architect:	Submitted By:
	Engineer:	Date:
Notes:		

AromaSteam Steamhead

Round 103937, Square 104040, 104104

- Even distribution of steam while remaining cool to the touch
- No field assembly required
- No moving parts
- Integrated aromatherapy oil well for in shower use



**Round & Square Steamhead Installation** (1/2" NPT)

**IMPORTANT:** Do not disassemble steamhead. MrSteam’s steam head is shipped fully assembled and requires no additional assembly.

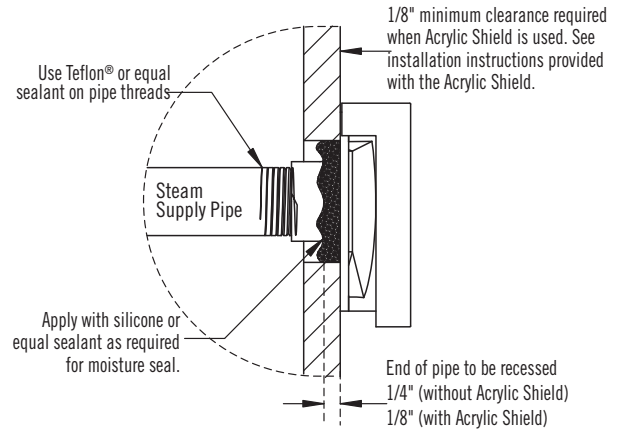
**CAUTION** Because the steamhead and direct steam emissions are very hot, locate the steamhead where incidental contact by bather with the steamhead or direct steam emission cannot occur.

**NOTE:** A 1.5" clearance hole around the steam pipe is needed to mount the steamhead.

Locate steamhead 6-12 inches above floor, except for:

- Tub/shower enclosures, install 6 inches above tub top edge.
- For enclosures with acrylic or other non-heat resistant flooring install Acrylic Shield Part Number 103938/10398SQ

**IMPORTANT NOTE:** To preserve steamhead finish, do not use wrench or other tools to tighten. DO NOT use abrasive cleansers or chemicals. Use only water with mild soap and a non-abrasive sponge.



**CAUTION** Consult with supplier of acrylic, fiberglass and other non-heat resistant enclosures for recommended steamhead location. Use Acrylic Shield PN 103938/103938SQ. See instructions provided with steam shield. (An acrylic shield is not available for the iSteam steamhead.)

**FOR ILLUSTRATIVE PURPOSES ONLY. IMPORTANT NOTE: FOR SAFE AND TROUBLE FREE INSTALLATION** visit [mrsteam.com](http://mrsteam.com) before installation to download the Installation, Operation and Maintenance Manual or refer to the manual provided with the unit.

MODEL	FINISH**	PROJECT INFORMATION
<input type="checkbox"/> 103937-Round	<input type="checkbox"/> BB Brushed Bronze	Location:
<input type="checkbox"/> 104040-Square	<input type="checkbox"/> BN Brushed Nickel	Architect:
<input type="checkbox"/> 104104*	<input type="checkbox"/> ORB Oil Rubbed Bronze	Engineer:
	<input type="checkbox"/> PB Polished Brass	Contractor:
	<input type="checkbox"/> SB Satin Brass	Submitted By:
	<input type="checkbox"/> PC Polished Chrome	Date:
	<input type="checkbox"/> PN Polished Nickel	Notes:
	<input type="checkbox"/> BLK Black***	
	<input type="checkbox"/> WH White***	
	<input type="checkbox"/> MB Matte Black	
	<input type="checkbox"/> RAW Custom Plating	

\* 104104 Steamhead is used for AirTempo, iSteam and black/white facia iTempo and iTempoPlus.

\*\* For AirTempo select black or white with a decorative finish

\*\*\*iSteam, black/white fascia iTempo and iTempoPlus are provided with matching glass face and chrome trim only.

### SteamLinx™

#### BOX CONTENT

- SteamLinx Generator Module
- SteamLinx Router Module
- 6 foot Ethernet Cord
- Power Adapter

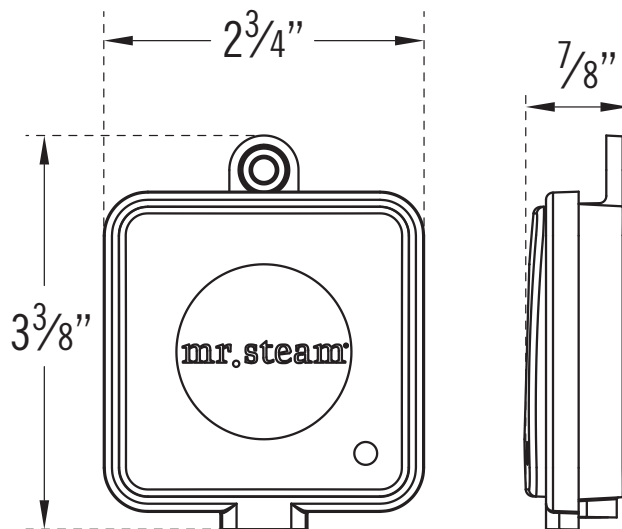
#### SteamLinx

Introducing the latest Mobile Steam Room Technology, the SteamLinx Mobile System. SteamLinx allows for seamless control of essential steam room functionality using your smart phone or mobile device.

*Included in all Dream & Butler Packages.*

Works with all MrSteam Controls

App available for download from Google Play and the App Store



#### **FOR ILLUSTRATIVE PURPOSES ONLY.**

**IMPORTANT NOTE: FOR SAFE AND TROUBLE FREE INSTALLATION** visit [mrsteam.com](http://mrsteam.com) before installation to download the Installation, Operation and Maintenance Manual or refer to the manual provided with the unit.

MODEL	PROJECT INFORMATION	
SteamLinx	Location:	Contractor:
	Architect:	Submitted By:
	Engineer:	Date:
Notes:		

Linear Steam Head®

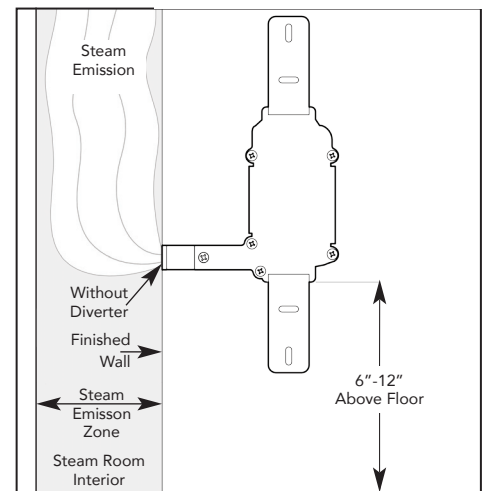
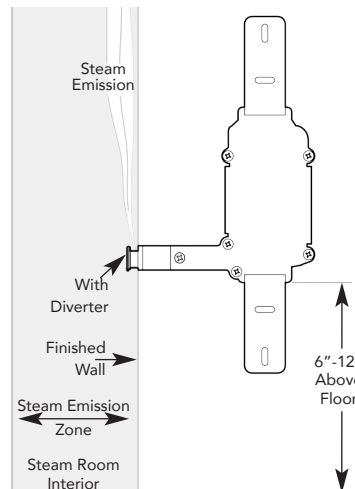
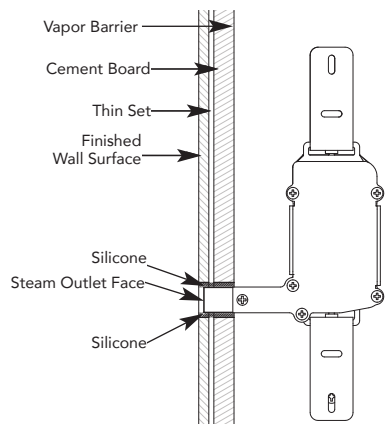
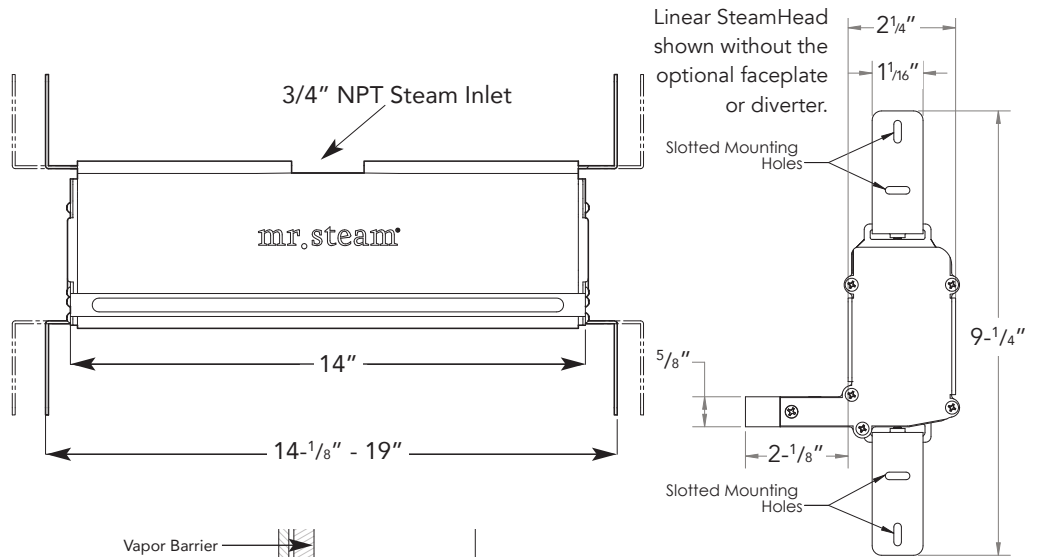
- Quiet, even distribution of steam
- No field assembly required
- Finished Look
- No moving parts
- Minimal profile
- Aroma Feature

**Linear Steamhead Installation:**  
(3/4" NPT)

**IMPORTANT:** Do not disassemble steamhead. MrSteam's steamhead is shipped fully assembled and requires no additional assembly. Locate steamhead 6-12 inches above floor, except for tub/shower enclosures; install 6 inches above tub top edge.

**CAUTIONS** Because the steam head and direct steam emission are very hot, locate the steam head(s) where incidental contact by the user with the steam head(s) or direct steam emission cannot occur.

- Linear Steam Head model 104480 is suitable for MrSteam generator models MS90 – 400, MSSUPER1–3 and MX4-MX6.
- Two 104480 linear steamheads must be used for models MX4, 5 & 6.
- Using model 104480 for any steam generator model larger than the MX6, or for any non MrSteam brand generators may result in an improper installation or hazardous condition.
- For residential use only.
- Installed between studs.
- Only install the linear steam head in a horizontal orientation as shown in installation manual, PUR 103936.



Generator Model	Number of Linear Steam Heads	Steam Emission Zone
MS90-MS400	1	18"
Super1-Super3	1	24"
MX4-MX6	2	24"

**FOR ILLUSTRATIVE PURPOSES ONLY. IMPORTANT NOTE: FOR SAFE AND TROUBLE FREE INSTALLATION** visit [mrsteam.com](http://mrsteam.com) before installation to download the Installation, Operation and Maintenance Manual or refer to the manual provided with the unit.

MODEL	PROJECT INFORMATION	
104480 For MS90-MSSUPER3 Two Required for MX4, MX5 and MX6	Location:	Contractor:
<input type="checkbox"/> BB <input type="checkbox"/> BN <input type="checkbox"/> MB <input type="checkbox"/> ORB	Architect:	Submitted By:
<input type="checkbox"/> PB <input type="checkbox"/> PC <input type="checkbox"/> PN <input type="checkbox"/> SB	Engineer:	Date:
Notes:		

Linear Steam Head®

Accessories

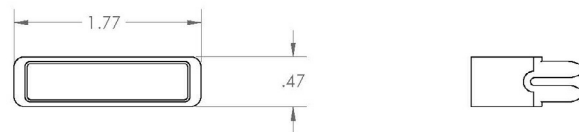
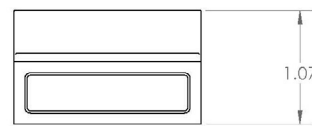
**⚠ CAUTIONS** because the Steam Head, Faceplate, Diverter, AromaTray, Escutcheon, Finished Diverter, and direct steam emission are very hot, locate the Steam Head, Faceplate, Diverter, AromaTray, Escutcheon, Finished Diverter where incidental contact by bather or direct steam emission cannot occur.

**Included Accessories**

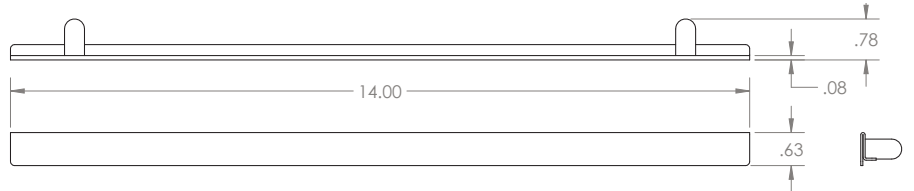
Faceplate



AromaTray

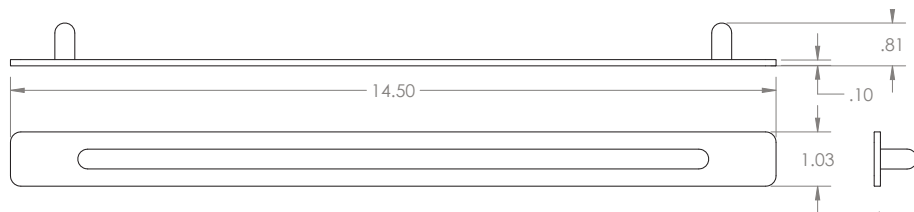


Diverter  
(Stainless Steel Finish Only)

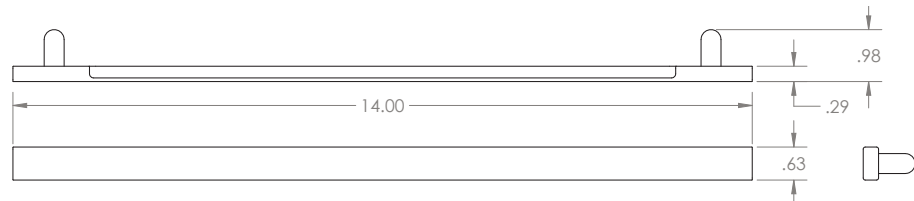


**Optional Accessories**

Escutcheon



Diverter - Finished



- BB Brushed Bronze
- BN Brushed Nickel
- MB Matte Black
- ORB Oil Rubbed Bronze
- PB Polished Brass
- PC Polished Chrome
- PN Polished Nickel
- SB Satin Brass

**NOTE:** Drawings are for illustrative purposes only. Consult with qualified designer, architect or contractor for steam room construction.