

### iTempoPlus® Controls

iTempoPlus controls flush mount in the steam/shower enclosure through a 2 5/8" wide x 3 7/8" high hole. iTempo controls can also be surface mounted.

#### iTempoPlus Controls Feature:

- Solid brass decorative cover with choice of square or round styles in designer finishes
- Digital display
- Programmable temperature
- AromaSteam Steamhead in matching finish and shape
- Compatibility with SteamLinx
- Soft touch keypad
- Low voltage operation
- Programmable steam bath duration
- Clock
- ON/OFF control for AromaSteam and Chroma72
- Two programmable presets

The iTempoPlus controls are designed to be installed inside or outside the steam room but is primarily installed inside the steam room. If the control is installed inside the steam room the control must be located:

- 4-5 feet above the floor
- in a location representative of the desired steam bathing temperatures. Do not locate the control above or near the Steamhead or direct steam emissions.
- on a vertical wall

The control cable length is 30 feet. Insure that the control and/or steam generator are located accordingly.

An optional 60 ft. cable is available if required, PN 103990-60.

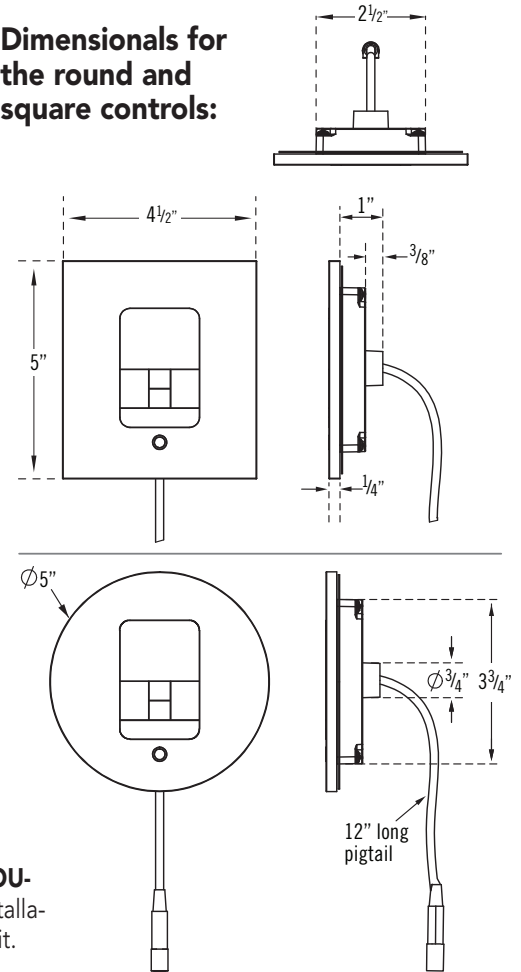
If the control is installed outside the steam room a Remote Temperature Probe Part Number MSTP must be installed inside the steam room.

**FOR ILLUSTRATIVE PURPOSES ONLY. IMPORTANT NOTE: FOR SAFE AND TROUBLE FREE INSTALLATION** visit [mrsteam.com](http://mrsteam.com) before installation to download the Installation, Operation and Maintenance Manual or refer to the manual provided with the unit.

#### BOX CONTENTS:

- iTempoPlus
- Steamhead
- Control Cable (30 ft.)
- Tube of Silicone Sealant
- Owner's Manual

#### Dimensionals for the round and square controls:



MODEL	SHAPE	FINISH	PROJECT INFORMATION
MS iTempoPlus	<input type="checkbox"/> RD Round	<input type="checkbox"/> BB - Brushed Bronze	Location:
	<input type="checkbox"/> SQ Square	<input type="checkbox"/> BN - Brushed Nickel	Architect:
		<input type="checkbox"/> ORB - Oil Rubbed Bronze	Engineer:
		<input type="checkbox"/> PB - Polished Brass	Contractor:
		<input type="checkbox"/> PC - Polished Chrome	Submitted By:
		<input type="checkbox"/> PN - Polished Nickel	Date:
		<input type="checkbox"/> SB - Satin Brass	Notes:
		<input type="checkbox"/> BK - Black Fascia	
		<input type="checkbox"/> WH - White Fascia	
		<input type="checkbox"/> RAW - Custom Plating	