

Quarter Turn Angle Stop - Contemporary

Product Features

- Brass Construction
- 5/8" (15.87mm) O.D. x 3/8" (9.52mm) O.D.
- Cross Handle
- For Toilets & Sinks
- Compliant with Low Lead Content Laws

Finishes Available



CP

BN



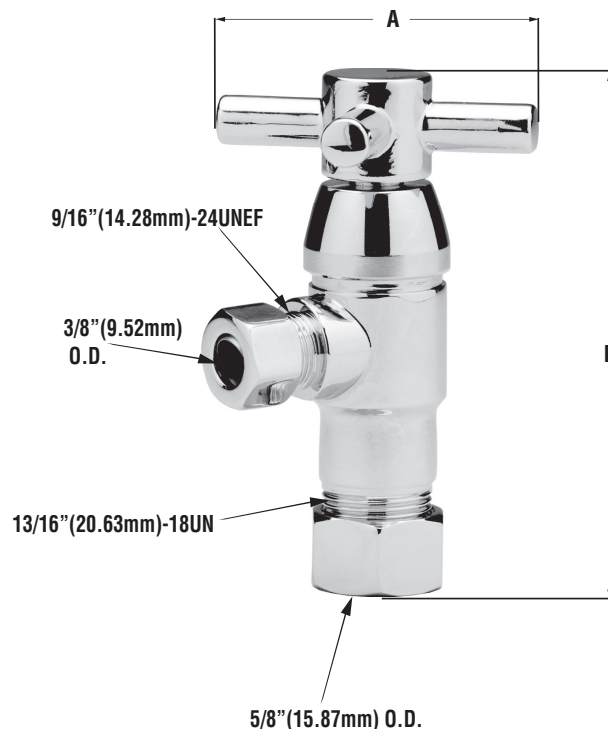
MB205CP



Product Numbers

ITEM	FINISH
MB205CP	Chrome Plated
MB205BN	PVD Brushed Nickel

Product Specifications/Dimensions



in. 2-5/16 3-3/4

A	B
---	---

mm 58.73 95.25

