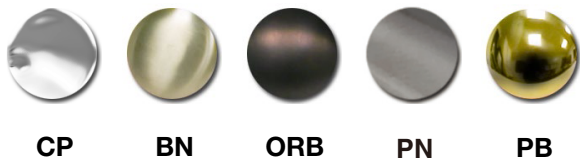


Lift & Turn Tub Stoppers

Product Features

- Brass construction
- With Plastic Bushing
- Fits 1-1/4" (31.75mm) & 1-1/2" (38.1mm) Drains

Finishes Available

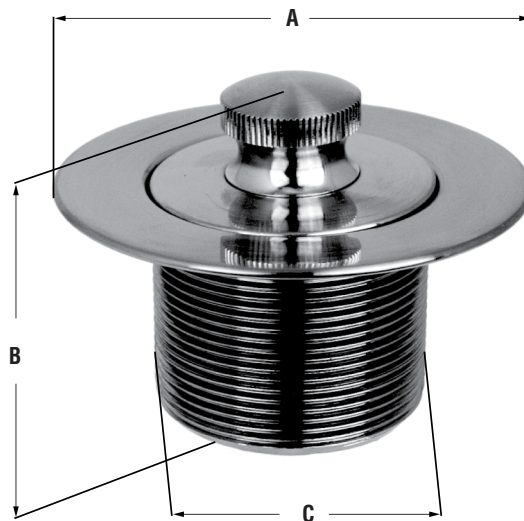


MB612BN

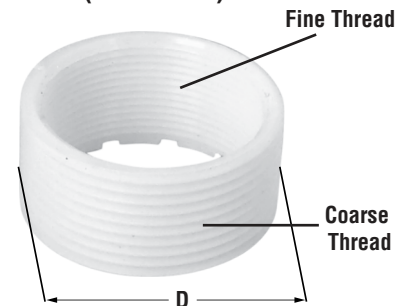
Product Numbers

ITEM	FINISH
MB612CP	Chrome Plated
MB612BN	PVD Brushed Nickel
MB612ORB	Oil Rubbed Bronze
MB612PN	PVD Polished Nickel
MB612PB	PVD Polished Brass

Product Specifications/Dimensions



ADAPTOR SLEEVE (BUSHING)



in.	2-3/4	2-1/8	1-5/8	1-13/16
	A	B	C	D
mm	69.85	53.97	41.27	46.03