

Quarter Turn Angle Stops - Contemporary

Product Features

- Solid Brass Construction
- 5/8" (15.87mm) O.D. x 3/8" (9.52mm) O.D.
- Cross Handle
- For Toilets & Sinks
- Compliant with Low Lead Content Laws

CERTIFICATIONS:

- NSF61-9
- UPC
- CSA



MBX139045

Finishes Available



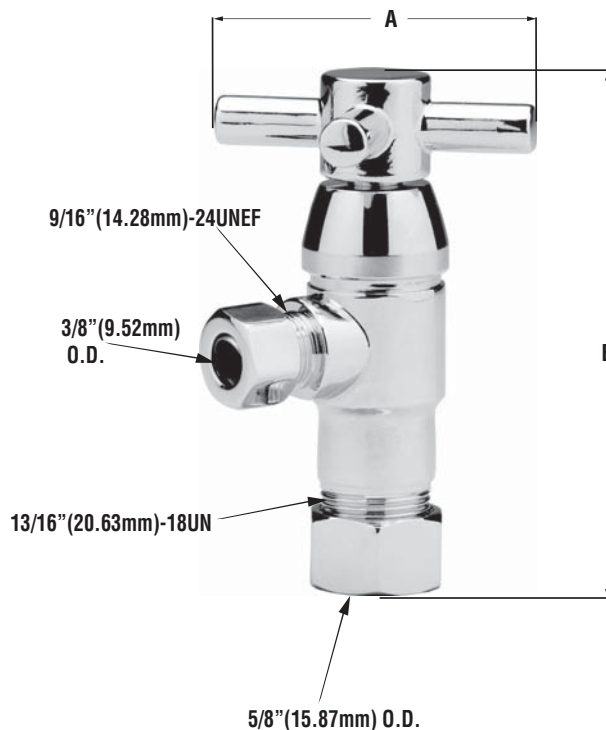
CP

BN

Product Numbers

ITEM	FINISH
MBX139045	Chrome Plated
MBX139046	PVD Brushed Nickel

Product Specifications/Dimensions



in. 2-5/16 3-3/4

A	B
58.73	95.25

mm 58.73 95.25