

Quarter Turn Angle Stops

Product Features

- Solid Brass
- 5/8" (15.87mm) O.D. x 3/8" (9.52mm) O.D.
- Cross Handle • For Toilets & Sinks
- Compliant with Low Lead Content Requirements Laws

CERTIFICATIONS:

- NSF61-9 • UPC • CSA



MBX139032

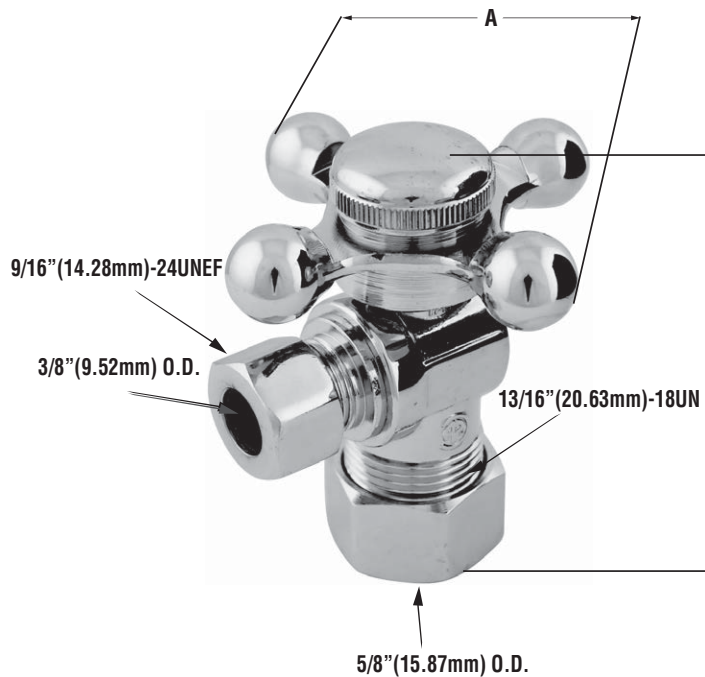
Finishes Available



Product Numbers

ITEM	FINISH
MBX139031	PVD Polished Brass
MBX139032	PVD Brushed Nickel
MBX139033	Chrome Plated
MBX139034	Oil Rubbed Bronze
MBX139035	Antique Brass
MBX139039	PVD Polished Nickel

Product Specifications/Dimensions



in.	2-3/8	2-5/8
	A	B
mm	60.32	66.67