

Standard Angle Stops

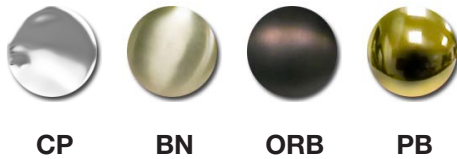
Product Features

- Brass Body
- 1/2"(12.7mm) IP x 3/8"(9.52mm) O.D.
- Zinc Handle • For Toilets & Sinks
- Compliant with Low Lead Content Requirements Laws

CERTIFICATIONS:

- UPC • CSA

Finishes Available



CP

BN

ORB

PB

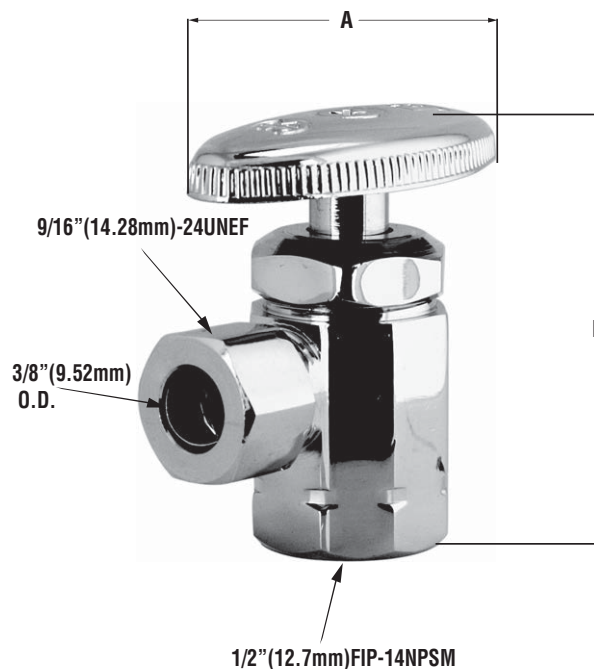


MBX139013

Product Numbers

ITEM	FINISH
MBX139011	PVD Polished Brass
MBX139012	PVD Brushed Nickel
MBX139013	Chrome Plated
MBX139014	Oil Rubbed Bronze

Product Specifications/Dimensions



in. 1-13/16 2-1/16

A B

mm 46.03 52.38