

MONOGRAM 24" FULLY INTEGRATED WINE COLUMN REFRIGERATOR (PANEL READY)

ZIW241NBWII



Stainless handles and panels sold separately



BUILT-IN WINE REFRIGERATOR

Achieve a seamless, fully integrated design with flush installation, enhancing the kitchen, home, bar or entertainment spaces

EXPANSIVE WINE STORAGE

Enjoy ample space to store a diverse collection of wines, accommodating up to 91 bottles for the ultimate wine enthusiast

13 FULL-EXTENSION SHELVES

Elegant dark walnut and aluminum trim shelves extend fully, allowing for easy selection and accessibility of your favorite wines

PANEL-READY REFRIGERATION

Customize your wine refrigerator with stainless steel panels (sold separately) or match with your cabinetry using custom panels from your cabinet maker or contractor

MULTIPLE WINE STORAGE MODES

Tailor storage environment to your collection with white, red, sparkling and cellar modes, ensuring optimal preservation for each type

STATEMENT OR MINIMALIST HANDLES

Elevate the design of your wine refrigerator by selecting one of Monogram's collections (handles sold separately)

DISPLAY SHELF

Showcase your favorite wines or keep planned pairings easily accessible with a dedicated display shelf and light setting

DUAL-ZONE WINE STORAGE

Provide consistent and precise temperatures throughout the upper and lower compartments with dual evaporators and temperature control

AIR FILTRATION

Keep both zones fresh to protect the flavors of your wine with activated carbon filters that help remove odor and ensure proper circulation

RAMP-UP LED LIGHTING

Enhance the aesthetic of your wine collection with ramp-up LED lighting featuring four different settings



Stainless handles and panels sold separately

SPECIFICATIONS

Overall Width	23 3/4" (60.3 cm)
Overall Height	83 3/4" (212.7 cm)
Overall Depth (Excluding Door Panel)	24" (61 cm)
Depth of Toe Kick (Measured From Back of Door Panel)	2 7/8" - 4" (7.3 - 10.2 cm)
Height From Floor to Bottom of Door Panel	4" (10.2 cm)

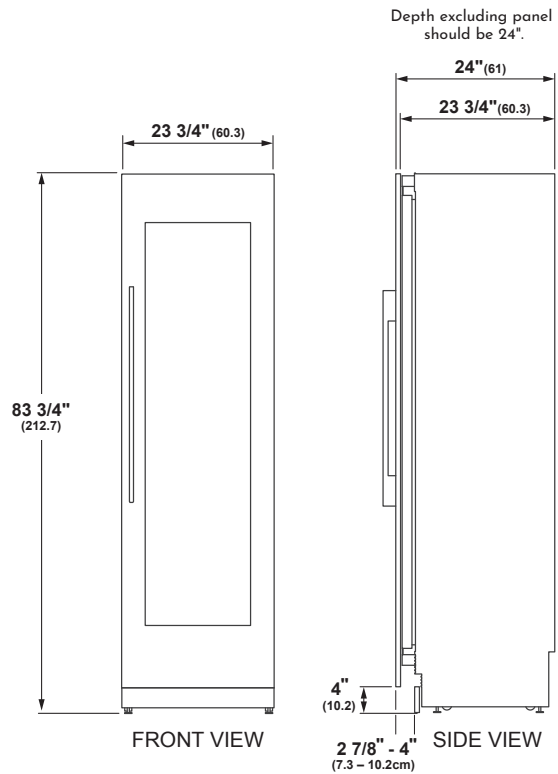
ATTENTION ELECTRICIAN:

A 115-volt 60Hz., 15- or 20-amp power supply is required. An individual, properly grounded branch circuit or circuit breaker is recommended. For multiple unit installation, each unit requires a separate individual properly grounded circuit or breaker and separate properly grounded 3-prong electrical receptacle recessed.

⚠ WARNING:

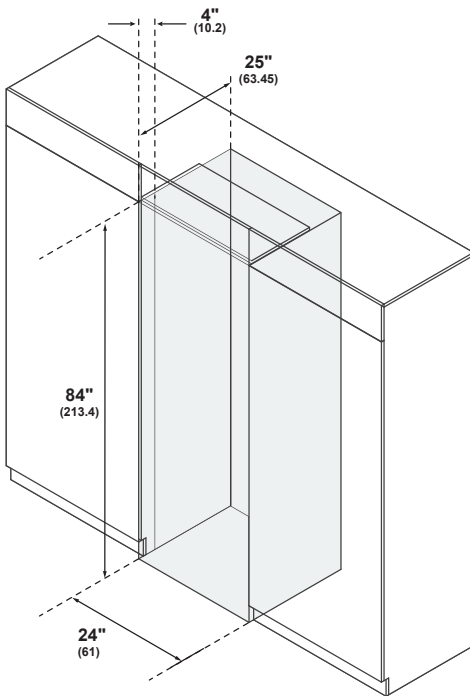
When installing appliance, you must use and follow the product installation instructions. These can be found with unit or on web at monogram.com.

OVERALL DIMENSIONS*

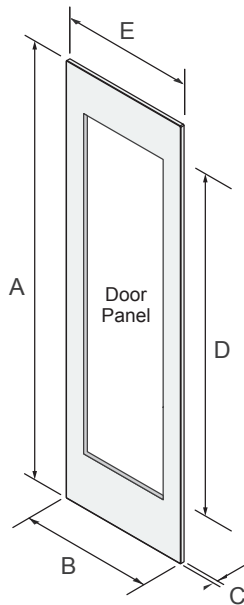


*Dimensions in parentheses are in centimeters unless otherwise noted. Actual product dimensions may vary due to manufacturing tolerances.

SINGLE INSTALLATION



FLUSH 3/4" PANEL DIMENSIONS SINGLE INSTALLATION



PANEL DIMENSIONS

A	B	C	D	E
79 7/8"	23 3/4"	3/4"	62 9/16"	16 5/16"

INTEGRATED INSTALLATION

HELPFUL TIPS

- A minimum 4" (10.2cm) finished return matching cabinet exterior recommended on interior on all sides and top at front of opening.
 - Trimmed refrigerators are designed to be customized with decorative panels. Field-installed 3/4" custom door panel or Stainless Steel Door Panel Kit are required. Stainless Steel Door Panel Kits are available purchased separately. All custom door panels are to be procured from the consumers cabinet maker or contractor.
 - Maximum total panel weight: Door Panel – 22 lbs.
 - For Custom Panels: Use templates provided with units to pre-drill holes for mounting panel brackets (provided with unit). Adjustment screws and instructions also provided with units. The Custom Door Panel must leave the glass pane visible. Custom Panel CAN NOT COVER GLASS PANE.
 - Requires custom handle from cabinet maker.
 - Custom panel stud kit Monogram handles: ZKPN
 - Custom Panels require a custom handle from cabinetmaker or the ZKPN Handle Mounting Kit, which is required when using Statement or Minimalist handles (sold separately). Panel routing is required to use ZKPN kit; see ZKPN kit installation instructions for details.
 - Stainless steel handle and panel options:
 ZK1GN249WLH: Left-hand 24" stainless steel door panel
 ZK1GN244WRH: Right-hand 24" stainless steel door panel
 ZKSP1H1CNSS: Minimalist handle
 ZKSP1H1PNSS: Statement handle
 - Custom Toe Kick: For Custom Door Panel installation, a toe kick 2-6" (50-152mm) must be fitted and adjusted accordingly. An extra lower grille is required when using 2" (50mm) toe kick height.
- NOTE: The extra lower grille is not supplied with the product and can be purchased separately. Use part #WR13X46927 to order extra lower grille.



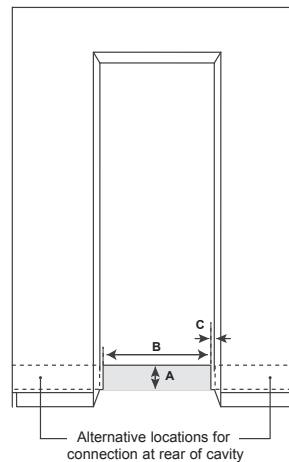
WARNING:

When installing appliance, you must use and follow the product installation instructions. These can be found with unit or on web at monogram.com.

This document is intended for cabinet and panel construction only.

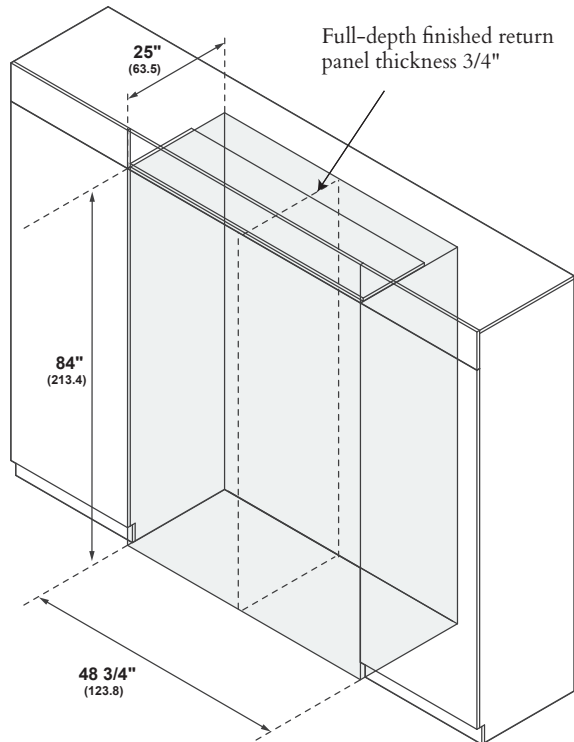
ELECTRICAL SPECIFICATIONS

A separate 115-volt 60Hz., 15- or 20-amp power supply is recommended for each product. An individual, properly grounded branch circuit or circuit breaker is recommended. Install a properly grounded 3-prong electrical receptacle recessed into the back wall. Electrical is recommended to be behind or adjacent to the unit as shown below to the left.

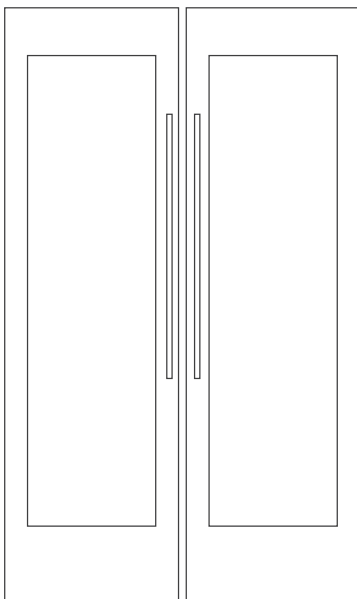


A	B	C
9"	22"	1"

DUAL INSTALLATION



Minimum gap from edge of door panel to cabinetry 1/8" (0.3cm)



NOTE: Handle-to-handle installation only.

INTEGRATED INSTALLATION

HELPFUL TIPS

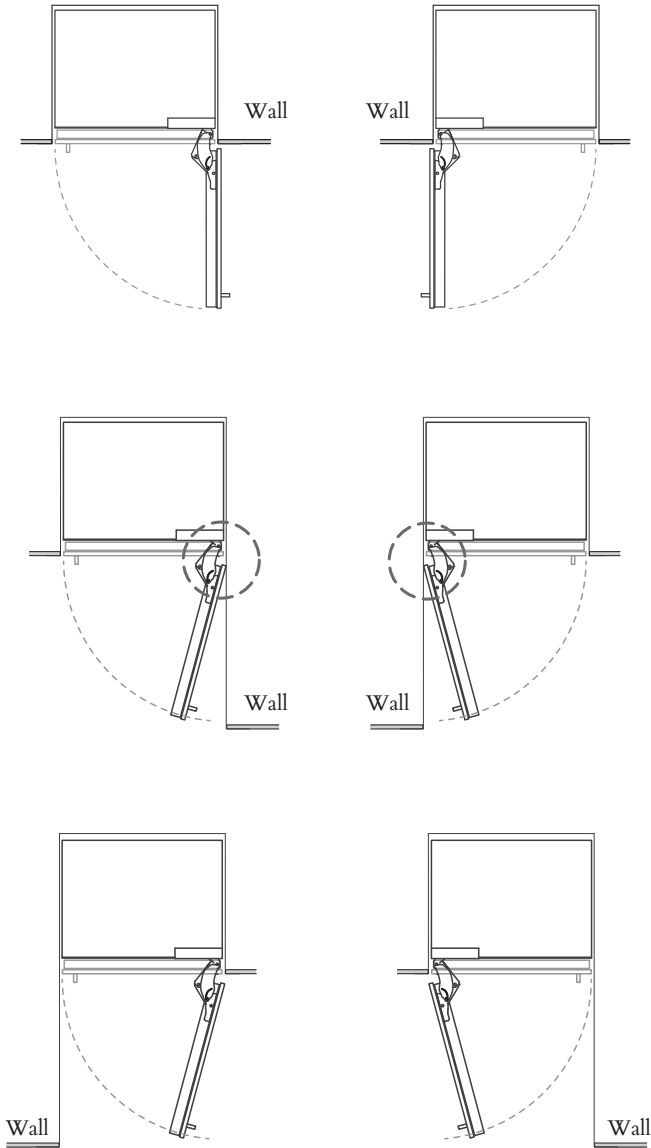
- A separate 115V, 60Hz, 15- or 20-amp power supply is recommended for each product.
- Cutout based on installation of two products with a left- and right-hand door swing.
- A minimum 4" (10.2cm) finished return matching cabinet exterior recommended on interior on all sides and top at front of opening.
- Trimmed refrigerators are designed to be customized with decorative panels. Field-installed 3/4" Custom Door Panel or Stainless Steel Door Panel Kit are required. Stainless Steel Door Panel Kits are available purchased separately. All Custom Door Panels are to be procured from the consumers cabinet maker or contractor.
- Maximum total panel weight: 22 lbs
- For Custom Panels: Use templates provided with units to pre-drill holes for mounting panel brackets (provided with unit). Adjustment screws and instructions also provided with units.

The Custom Door Panel must leave the glass pane visible. Custom Panel CAN NOT COVER GLASS PANEL.
- Custom Panels require a custom handle from cabinetmaker or the ZKPN Handle Mounting Kit, which is required when using Statement or Minimalist handles (sold separately). Panel routing is required to use ZKPN kit; see ZKPN kit installation instructions for details.
- Stainless steel handle and panel options:
ZK1GN249WLH: Left-hand 24" stainless steel door panel
ZK1GN249WRH: Right-hand 24" stainless steel door panel
ZKSP1H1CNSS: Minimalist handle
ZKSP1H1PNSS: Statement handle
- Requires custom handle from cabinet maker: ZKPN
- Custom Toe Kick: For Custom Door Panel installation, a toe kick 2-6" (50 – 152mm) must be fitted and adjusted accordingly. An extra lower grille is required when using 2" (50mm) toe kick height.

NOTE: The extra lower grille is not supplied with the product and can be purchased separately. Use part #WR13X46927 to order extra lower grille.

NOTE: These units do not connect to each other and do not have a pairing kit. Both units are installed next to each other but mounted independently.

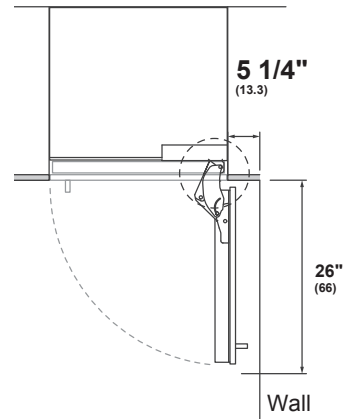
INSTALLATION OPTIONS



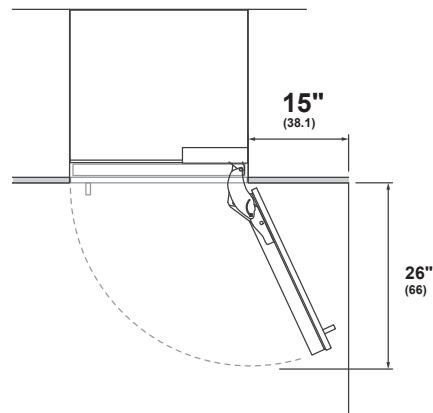
DOOR CLEARANCE DIMENSIONS

Dimensions are based on handle height of 2 9/16" (6.5cm).

DOOR OPEN 90°

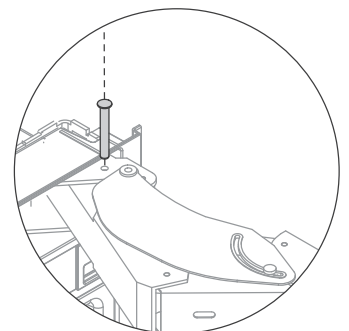


DOOR OPEN 115°

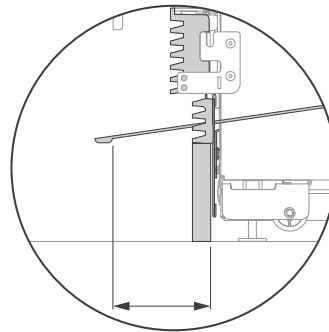
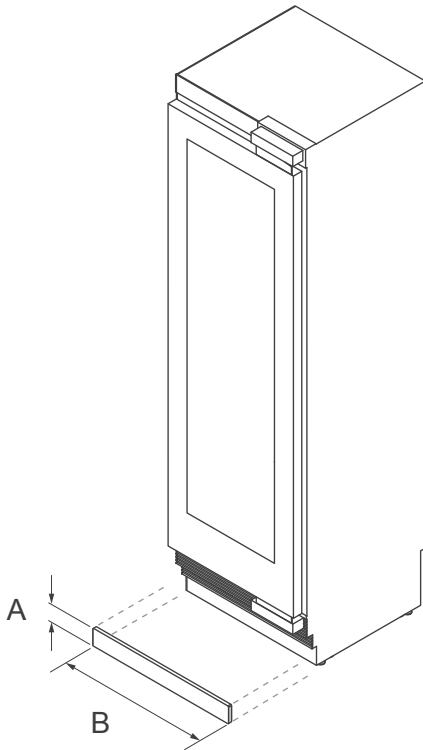


INSERT HINGE LIMITING PINS

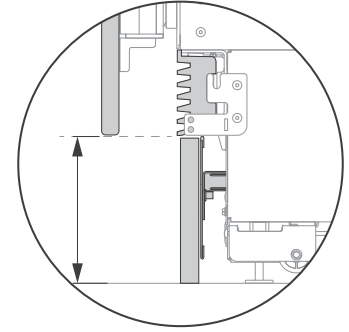
If limiting max door swing to 90° is desired, before pushing the appliance into the cabinetry, insert the supplied hinge limiting pins into the borehole of the top and bottom hinges. Be sure to push inserted pins all the way down before closing door.



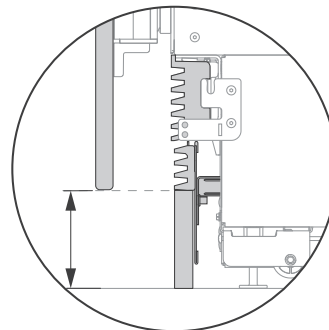
CUSTOM TOE KICK OPTIONS



2 7/8"-4" (73-102mm) toe kick depth
measured from rear of door panel
(Toe kick depth position can be adjusted
by adjusting the toe kick mounting plate
brackets. Refer to "Toe Kick Installation.")

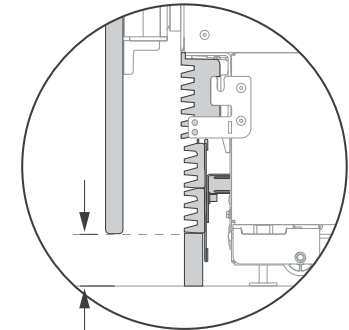


6" (152mm) toe kick height
(without lower grille attached)



4" (102mm) toe kick height
(standard toe kick height)

NOTE: If Custom Toe Kick Height
is 4 1/2" to 5", the lower grille
is required to be cut.
See "Grilles Installation."



2" (51mm) toe kick height
(with extra lower grille attached)

NOTE: The extra lower grille is
not supplied with the product
and can be purchased separately.
Use part # WR13X46927 to
order extra lower grille.

Toe Kick Dimensions	in	cm
A Height of toe kick*	4"	10.2cm
B Width of toe kick	23 7/8"	60.6cm

*Standard toe kick height is 4" (102mm).