

## DESIGNER COLLECTION

### Installation Instructions

CUSTOMER SUPPORT →



#### BEFORE YOU BEGIN

- The handle on your appliance may have a different orientation than what is shown, but the installation will be the same.
- Be extra careful of the appliance finish around the handle area, as it can scratch. During removal of the handle screws, hold onto the handle tightly so it won't fall and scratch the appliance. We recommend having another person help you hold the handle in place as you remove the screws.
- When the handle has been removed, check the fasteners that are attached to the appliance front to see if they are loose. If so, tighten them with a 3/16" Allen wrench before attaching the new handle. **Note: Fastener shape may vary by appliance.**
- For appliances with multiple handles, look at your current configuration before removing the handles, and make sure the replacement handles match that logo and set screw position.

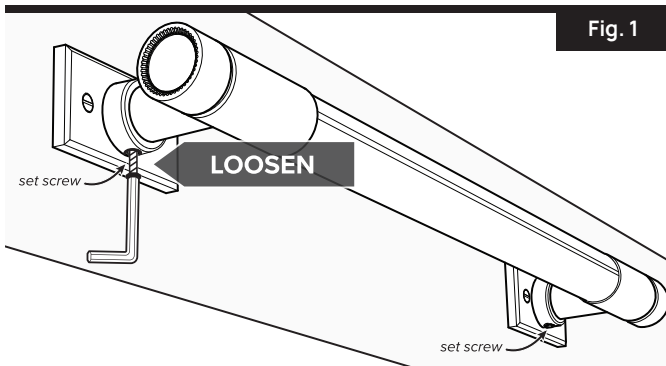


Fig. 1

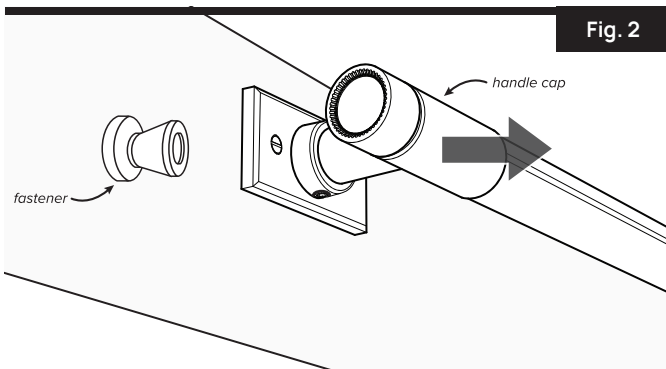


Fig. 2

#### TOOLS NEEDED



1/8" Allen Wrench  
(Included)



3/16" Allen Wrench  
(Not Included)

#### INSTALLATION STEPS

##### I. REMOVING THE HANDLE

- Locate the set screws on the handle caps (they are usually on the less visible side).
- Loosen the set screw on one end with the 1/8" Allen wrench while supporting the handle. Do not remove the set screw from the handle cap.
- Keep supporting the handle while you loosen the set screw on the other handle cap. Lift the handle from the fasteners on the door and set aside.

##### II. REPLACING A NEW HANDLE

- Make sure the set screws are loosened. Place the handle over the fasteners of the door (we recommend putting the screw side of the handle toward the less visible side). Take care to support the handle so it doesn't fall and scratch the appliance finish. Make sure both the handle caps are resting on the face of the door.
- Lock one end of the handle into position by tightening the set screw in the handle cap with the 1/8" Allen wrench. Be sure not to over tighten.
- Keep supporting the handle as you lock the other end of the handle into position by tightening the set screw in the handle cap with the 1/8" Allen wrench. Be sure not to over tighten.

Repeat these instructions on all other handles. aside.