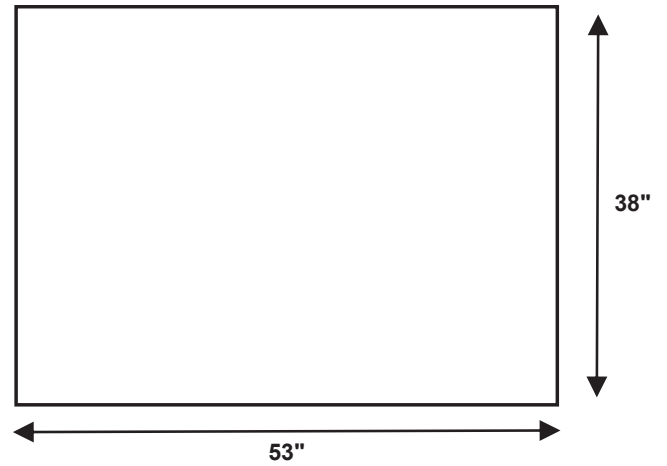


PROFESSIONAL HOODS



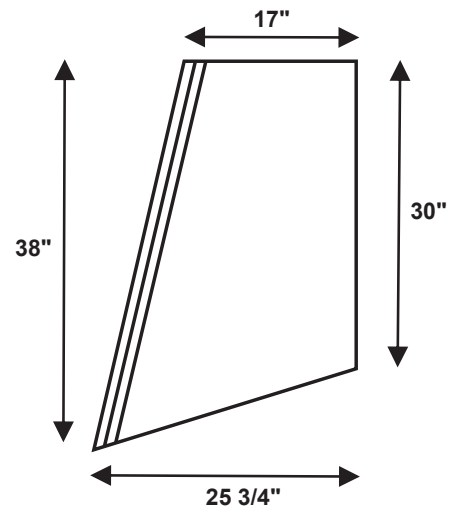
PROFESSIONAL OVERSIZED HOOD

Titanium Body

ZVC53DWTT

53" TITANIUM HOOD – ZVC53DWTT

Overall Width (inches)	53"
Overall Height (inches)	38"
Overall Depth (inches)	25 3/4"
Overall Weight (pounds)	73 lbs.
Full Warranty	2 Year
Monogram 42" Custom Hood Insert required for installation.	UVC9420SLSS



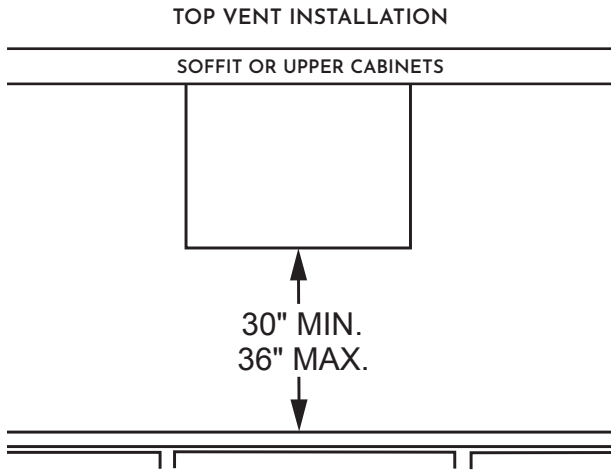
CONTACT [FIRSTBUILD.COM/INVENTIONS/MONOGRAM-HOOD-DUCT-COVER/](https://www.firstbuild.com/inventions/monogram-hood-duct-cover/)
TO PURCHASE A HOOD DUCT COVER TO PAIR WITH YOUR MONOGRAM HOOD.

PROFESSIONAL HOODS INSTALLATION

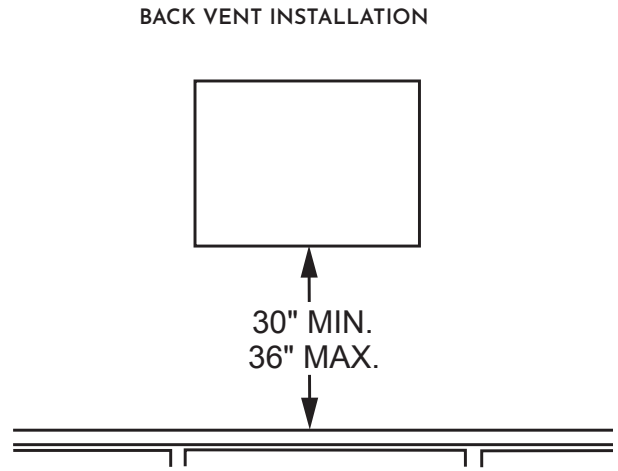


This hood is designed to be installed onto a wall. Install this hood 30" minimum to 36" maximum above the cooking surface.

NOTE: Clearances may vary due to type of cooking product and local codes. Check with local inspectors to be sure standard is applicable.



In this installation, the ductwork running from the top of the hood will be concealed in the soffit or upper cabinetry.



In this installation, the ductwork running from the back of the hood goes directly into the wall.