



# INSTALLATION INSTRUCTIONS

**Indoor Hearth Oven  
ZEP30FR**

ENGLISH/ESPAÑOL.

# Safety Information

Have a question or need assistance with your appliance? Try the Monogram website 24 hours a day, any day of the year! You can also shop for more great Monogram products and take advantage of all our on-line support services designed for your convenience. In the US: [monogram.com](http://monogram.com) or call 800.444.1845.

## FOR YOUR SAFETY

- Be sure your oven is installed properly by a qualified installer or service technician.
- Be sure the oven is securely installed in a cabinet that is firmly attached to the house structure. Never allow anyone to climb, sit, stand or hang on the oven.
- Make sure the cabinets and wall coverings around the oven can withstand the temperatures (up to 200°F [93.3°C]) generated by the oven.

**⚠ WARNING** The electrical power to the oven supply line must be shut off while line connections are being made. Failure to do so could result in serious injury or death.

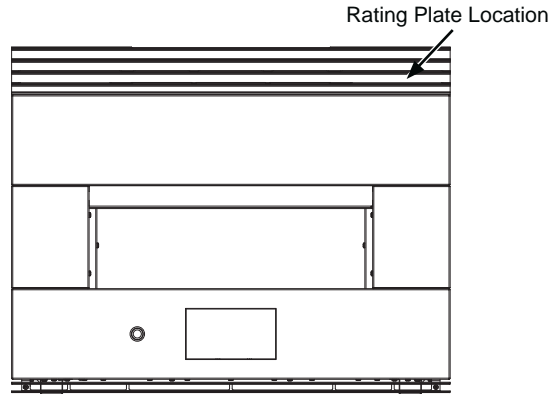
## ELECTRICAL REQUIREMENTS

This appliance must be supplied with the proper voltage and frequency, and connected to an individual, properly grounded branch circuit, protected by a circuit breaker or fuse. See the rating plate located on the bottom of the front panel to determine the rating of the product. The chart below shows the minimum recommended dedicated circuit protection.

KW Rating 240V	KW Rating 208V	Required Circuit Size (Dedicated)
9.7 KW–12.0 KW	8.4 KW–10.4 KW	50 Amp

## ELECTRICAL REQUIREMENTS

Rating plate is located on the top right of the front panel.



We recommend you have the electrical wiring and hookup of your oven connected by a qualified electrician. After installation, have the electrician show you how to disconnect power from the range.

Check with your local utilities for electrical codes which apply in your area. Failure to wire your oven according to governing codes could result in a hazardous condition. If there are no local codes, your oven must be wired and fused to meet the requirements of the National Electrical Code, NFPA No. 70—Latest Edition, available from the National Fire Protection Association.

Effective January 1, 1996, the National Electrical Code requires that new, but not existing, construction utilize a four-conductor connection to an electric oven. When installing an electric oven in new construction, a mobile home, recreational vehicle or an area where local codes prohibit grounding through the neutral conductor, follow the instructions in the section on NEW CONSTRUCTION AND FOUR-CONDUCTOR BRANCH CIRCUIT CONNECTION.

You must use a single-phase 120/208 VAC or 120/240 VAC, 60 hertz electrical system. If you connect to aluminum wiring, properly installed connectors approved for use with aluminum wiring must be used.

**READ AND SAVE THESE INSTRUCTIONS**

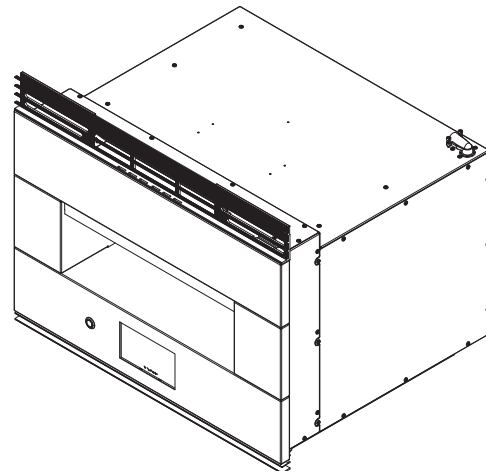
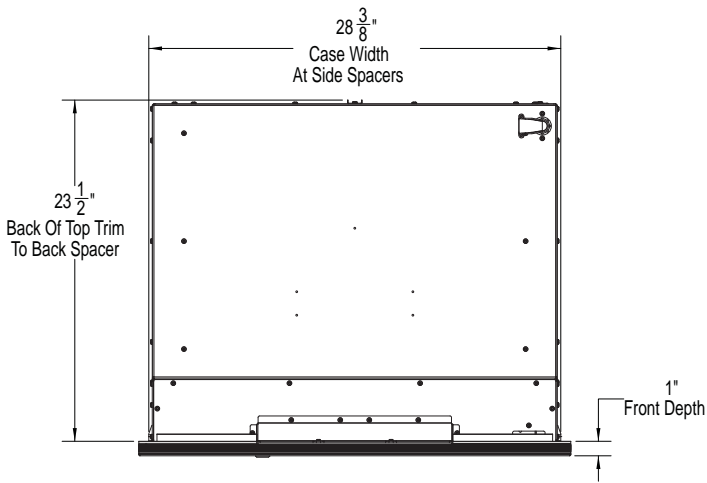
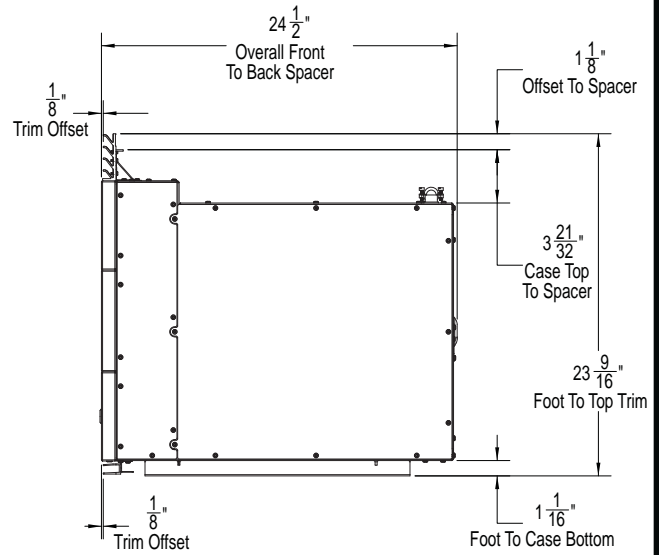
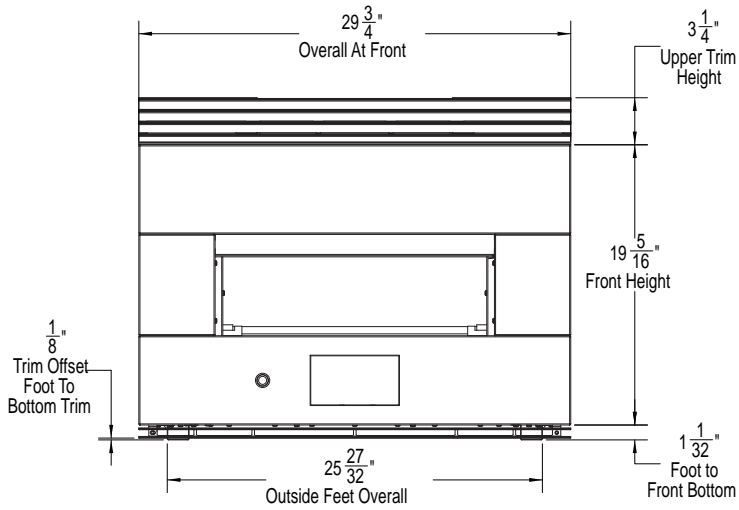
# Contents

## CONTENTS

<b>Safety Information</b> .....	2	<b>1J:</b> Hearth Oven Over Steam Oven – Flush-Inset Installation With A Minimum Gap Between.....	16
<b>Design Information</b>		<b>1K:</b> Hearth Oven Over Steam Oven –Standard Installation With A 2” Platform Between.....	17
Product Dimensions (With Trim) .....	4	<b>1L:</b> Hearth Oven Over Steam Oven – Flush-Inset Installation With A 2” Platform Between .....	18
Pre-Installation Checklist.....	5	<b>1M:</b> Hearth Oven Over Warming Drawer –Standard Installation With A Minimum Gap Between.....	19
<b>Installation Information</b>		<b>1N:</b> Hearth Oven Over Warming Drawer – Flush-Inset Installation With A Minimum Gap Between.....	20
Parts Included .....	6	<b>1O:</b> Hearth Oven Over Warming Drawer –Standard Installation With A 2” Platform Between.....	21
Materials Needed (not provided).....	6	<b>1P:</b> Hearth Oven Over Warming Drawer – Flush-Inset Installation With A 2” Platform Between.....	22
Tools Needed .....	6	<b>1Q:</b> Hearth Oven Platform For Minimum Gap Between Appliances: Dado & Mechanical Fastener Concept.....	23
<b>Installation</b>		<b>1R:</b> Hearth Oven Platform For Minimum Gap Between Appliances: Tenon & Mechanical Fastener Concept .....	24
<b>1A:</b> Cutout for Hearth Oven - Standard Installation.....	7	<b>1S:</b> Side-By-Side Combo Installation.....	25
<b>1B:</b> Hearth Oven - Flush Inset Installation.....	8	<b>2.</b> Electrical Connections.....	26
<b>1C:</b> Hearth Oven Over Wall Oven –Standard Installation With A Minimum Gap Between .....	9	<b>3.</b> Installing the Oven in the Cabinet.....	28
<b>1D:</b> Hearth Oven Over Wall Oven – Flush-Inset Installation With A Minimum Gap Between.....	10	<b>PRE-TEST CHECKLIST</b> .....	29
<b>1E:</b> Hearth Oven Over Wall Oven –Standard Installation With A 2” Platform Between .....	11	<b>OPERATION CHECKLIST</b> .....	29
<b>1F:</b> Hearth Oven Over Wall Oven – Flush Inset Installation With A 2” Platform Between .....	12		
<b>1G:</b> Hearth Oven Over French Door Wall Oven – Standard Installation With A Minimum Gap Between .....	13		
<b>1H:</b> Hearth Oven Over French Door Wall Oven – Standard Installation With A 2” Platform Between.....	14		
<b>1I:</b> Hearth Oven Over Steam Oven –Standard Installation With A Minimum Gap Between.....	15		

# Design Information

## PRODUCT DIMENSIONS (WITH TRIM)

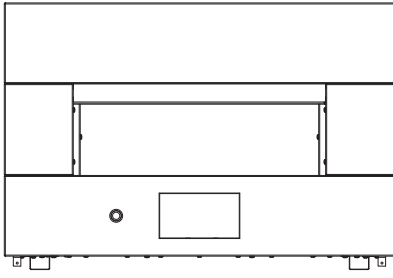


# Design Information

## PRE-INSTALLATION CHECKLIST

**ALL INSTALLATION INFORMATION ON THE FOLLOWING PAGES IS TO BE USED FOR ELECTRIC INDOOR HEARTH OVEN INSTALLATION!**

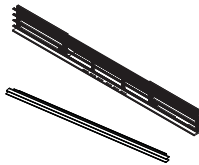
- Remove packaging materials and literature pack.



Hearth Oven



Literature Pack



Included Trim

- Remove Installation Instructions from literature pack and read them carefully before you begin.  
Be sure to place all literature, Owner's Manual, Installations, etc. in a safe place for future reference.
- Place the oven on a table or platform even with the cutout opening. Platform must support 200 lbs. (91 Kg).

**The Hearth Oven may be installed in a cabinet alone, above or next to approved models. See label on top of the oven for approved models or go to [geappliances.com/combinations](http://geappliances.com/combinations).**

**⚠ CAUTION** Installing the oven below the minimum height of 45 inches creates a burn hazard for children. Do not install below the minimum height.

# Installation Information

## BEFORE YOU BEGIN

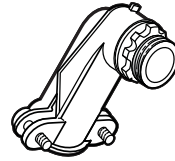
Read these instructions carefully and completely.

- **IMPORTANT** — Save these instructions for local inspector's use.
- **IMPORTANT** — Observe all governing codes and ordinances.
- **Note to Installer** – Be sure to leave these instructions with the consumer.
- **Note to Consumer** – Keep these instructions for future reference.
- Proper installation is the responsibility of the installer and product failure due to improper installation is NOT covered under warranty.
- **Note** – This appliance must be properly grounded.

## ATTENTION INSTALLER

All electric wall ovens must be hard wired (direct wired) into an approved junction box. A plug and receptacle is NOT permitted on these products.

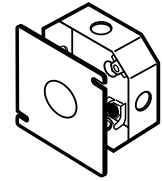
## MATERIALS NEEDED



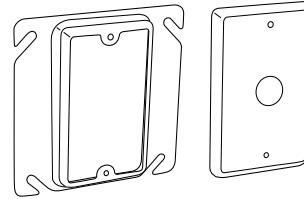
Option 1



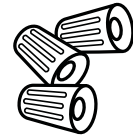
Option 2



Junction Box  
(1 1/2 Depth Max.)



Plaster Ring and Cover  
(Option 1)



Wire Nuts

## PARTS INCLUDED

(Appearance will vary)



Top Grille  
Assembly



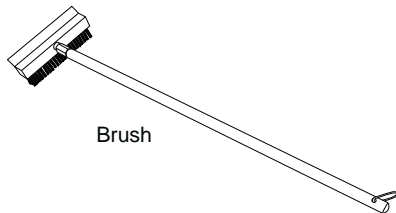
Upper &  
Lower Grille  
1/2" T20 Torx  
(8)



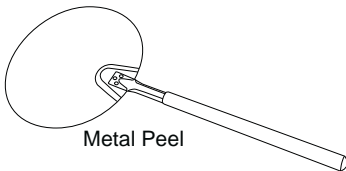
3/4" Phillips  
Screws (2)



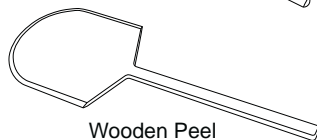
Bottom  
Grille



Brush



Metal Peel



Wooden Peel

## TOOLS NEEDED



Wire Strippers



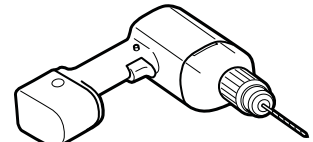
Phillips #2  
Screwdriver



Flathead  
Screwdriver



T20 Torx  
Screwdriver

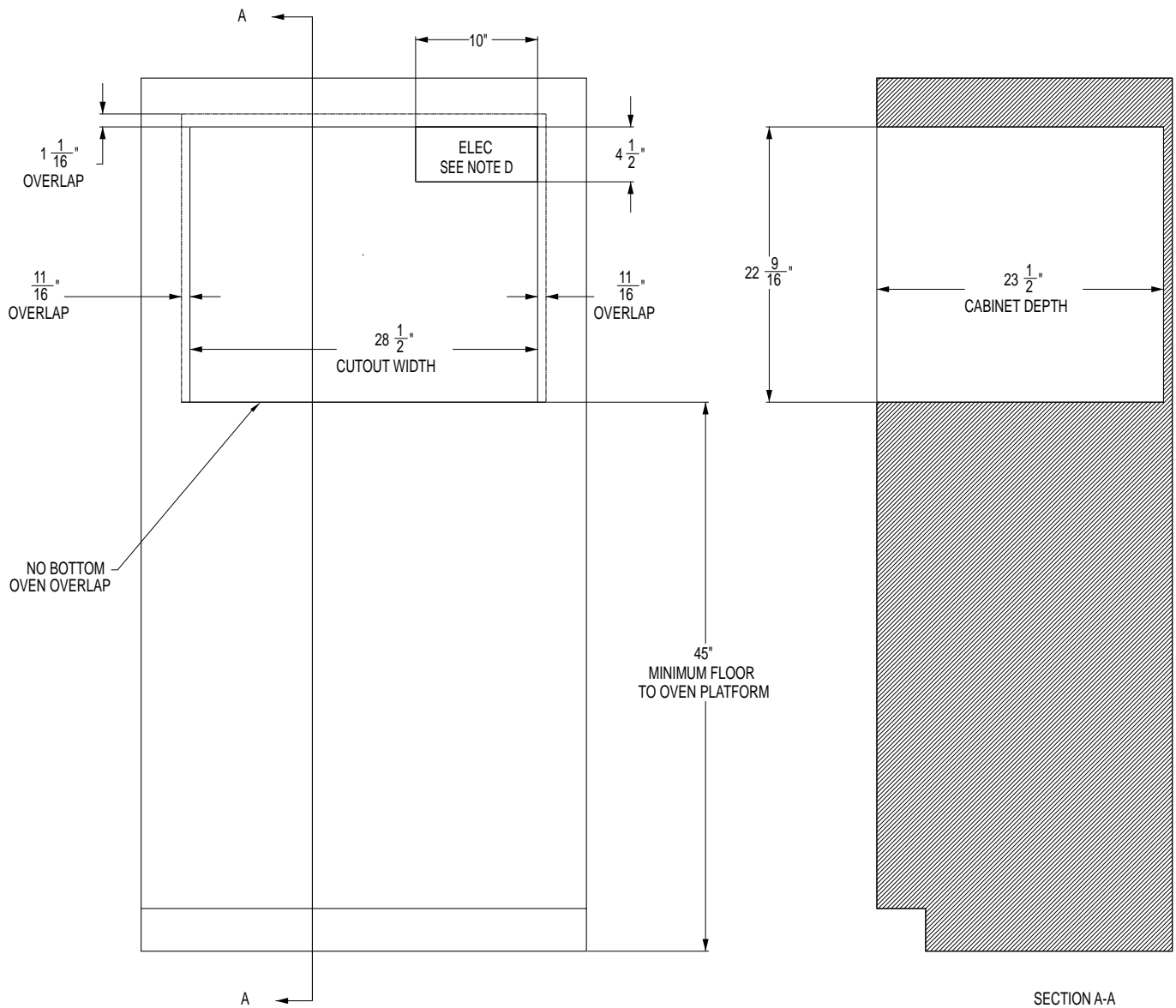


Drill and 3/32" drill bit

# Installations

## 1 A HEARTH OVEN - STANDARD INSTALLATION

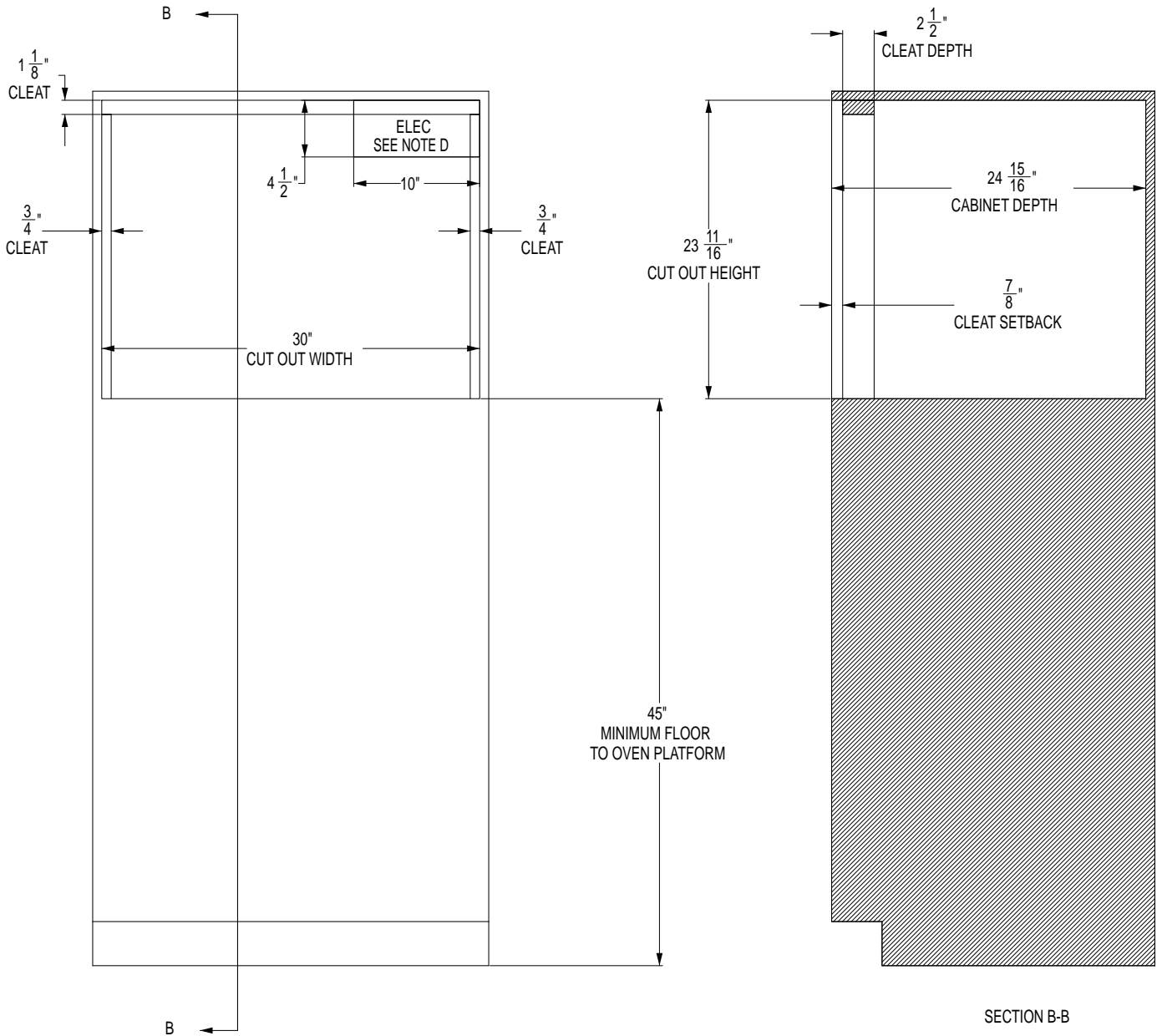
- A** 45" is the required minimum installation height. Oven may be installed higher based on owner preference.
- B** Platform must be able to support 200 lbs (91 kg).
- C** Solid enclosure required on the top, bottom, left side, right side and back. The back surface may be drywall. Advanced fabrication and assembly techniques are strongly encouraged to ensure precise cabinet squareness and parallelism.
- D** Junction box location: Must be flush with back surface so as not to extend into the 23 ½ inch cabinet depth. Junction box may also be located in an adjacent cabinet.
- E** A flush appearance may be achieved relative to surrounding cabinet door and drawer fronts. A minimum 1/8" reveal BEYOND the OVERLAP dimensions is recommended.



# Installations

## 1 B HEARTH OVEN - FLUSH INSET INSTALLATION

- A** 45" is the required minimum installation height. Oven may be installed higher based on owner preference.
- B** Platform must be able to support 200 lbs (91 kg).
- C** Solid enclosure required on the top, bottom, left side, right side and back. The back surface may be drywall. Advanced fabrication and assembly techniques are strongly encouraged to ensure precise cabinet squareness and parallelism.
- D** Junction box location: Must be flush with back surface so as not to extend into the 24-15/16" cabinet depth. Junction box may also be located in an adjacent cabinet.

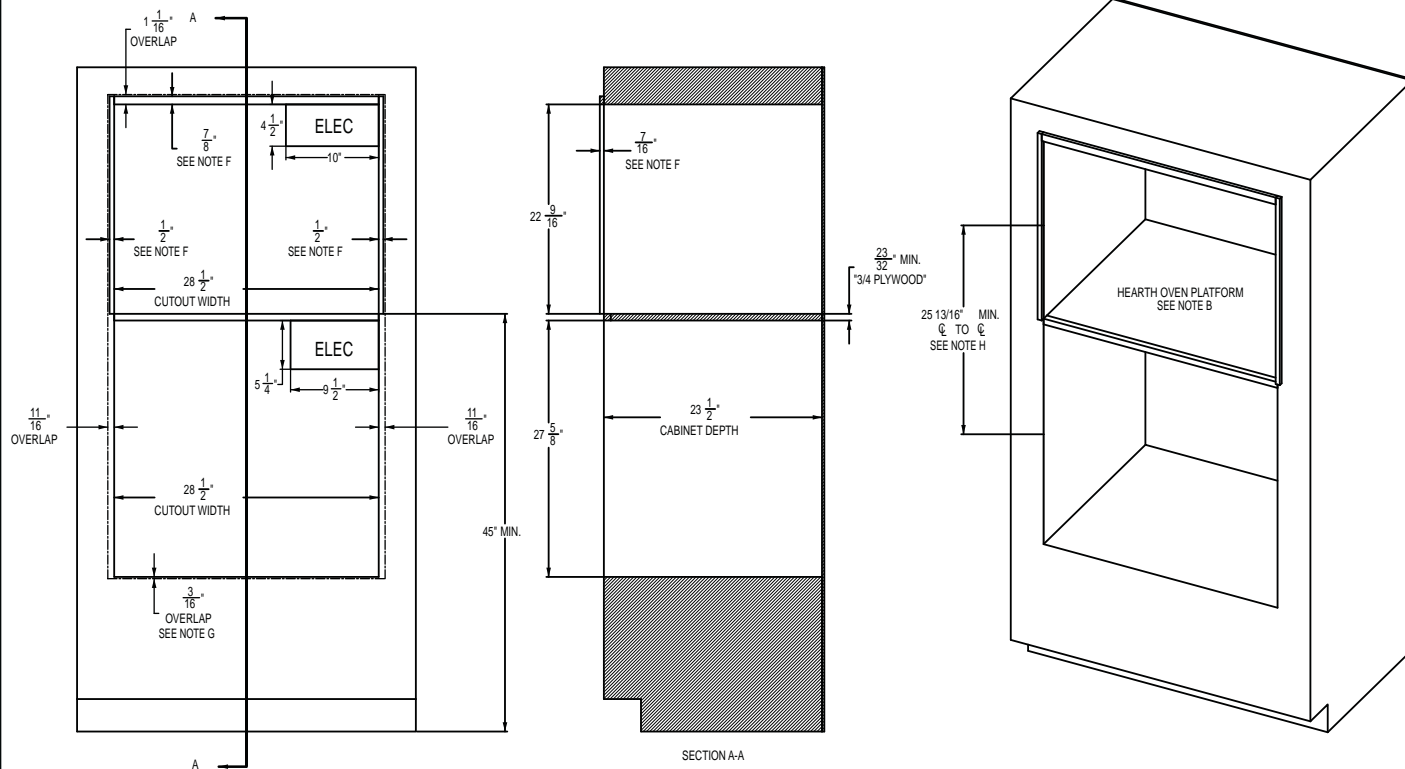




# Installations

## 1 C HEARTH OVEN OVER WALL OVEN –STANDARD INSTALLATION WITH A MINIMUM GAP BETWEEN

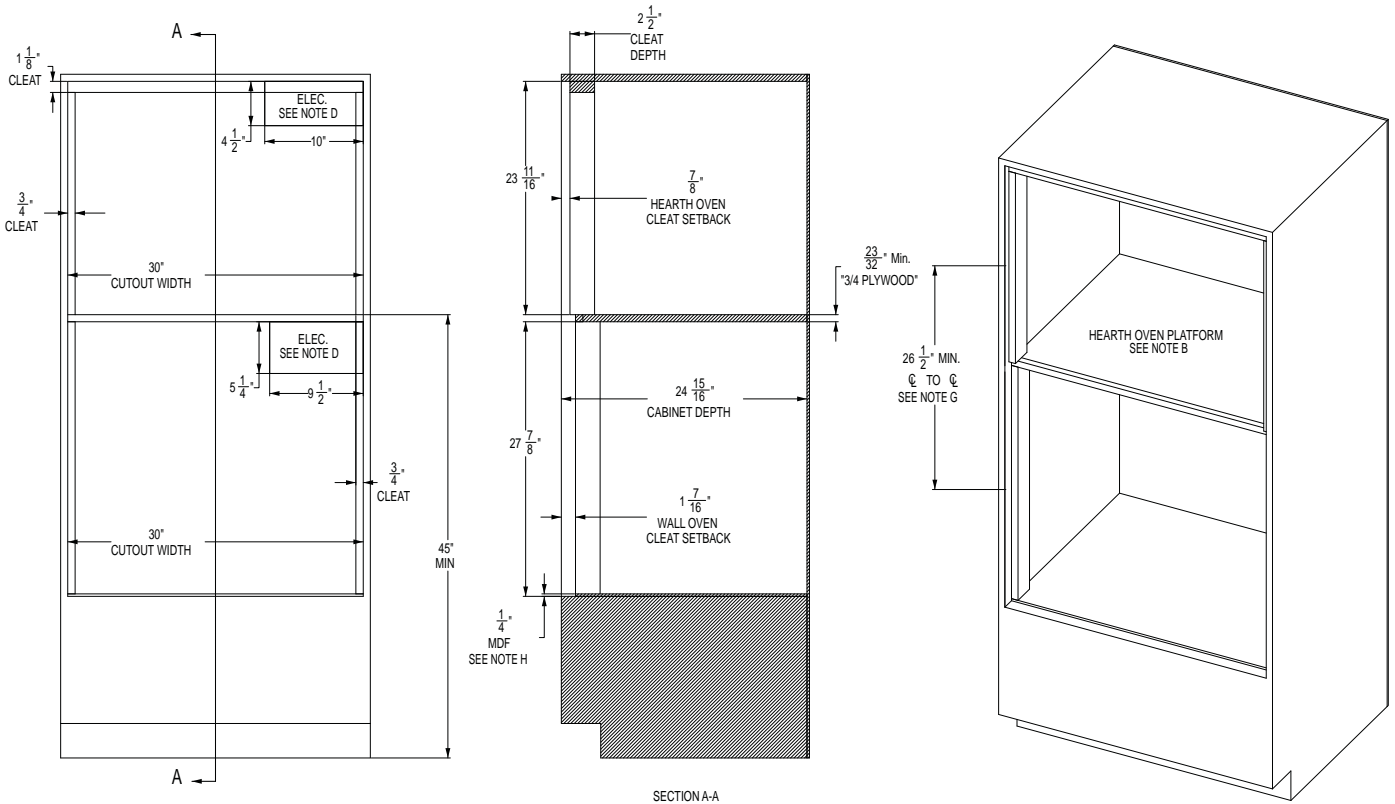
- A** 45" is the required minimum installation height. Oven may be installed higher based on owner preference.
- B** Hearth Oven Platform must be able to support 200 lbs. (91kg). For this installation, it is highly recommended to lock the platform into the side walls using wood joinery such as a Dado Joint. Fasteners and wood glue are also encouraged to further reinforce the locking wood joinery. The wood grain of the platform shall be oriented left to right. The front nose of the platform shall be a finished appearance surface. See illustrations 1Q & 1R for joinery concepts.
- C** Solid enclosure required on the top, bottom, left side, right side and back. The back surface may be drywall. Advanced fabrication and assembly techniques are strongly encouraged to ensure precise cabinet squareness and parallelism.
- D** Junction box location: Must be flush with back surface so as not to extend into the 23 ½ inch cabinet depth. Junction box may also be located in an adjacent cabinet.
- E** A minimum 1/8" reveal BEYOND the OVERLAP dimensions is recommended for proper drawer and door operating clearance.
- F** Exterior cleats may be added to the sides and top of the Hearth Oven opening in order to bring the front surface of the Hearth Oven into alignment with the front surface of the wall oven below. Finish per customer requirements. A flat black finish may better match the side appearance of the oven below.
- G** For the LOWER WALL OVEN, an extruded aluminum LOWER VENT TRIM is encouraged. Wall oven models beginning with "ZTSX" already include the aluminum vent trim. For models beginning with "ZTS", the vent trim kit ZX30VT1 must be ordered which includes the aluminum vent trim and mounting hardware. Alternatively, the stainless-steel trim supplied with all models may be used in this cabinet configuration. Be sure to adjust the "overlap" dimension associated with the stainless-steel trim. Please call 1-800-626-2000 with any questions.
- H** The opening center line dimension is taken at the FRONT OPENING of each enclosure.



# Installations

## 1 D HEARTH OVEN OVER WALL OVEN – FLUSH-INSET INSTALLATION WITH A MINIMUM GAP BETWEEN

- A** 45" is the required minimum installation height. Oven may be installed higher based on owner preference.
- B** Hearth Oven Platform must be able to support 200 lbs. (91kg). For this installation, it is highly recommended to lock the platform into the side walls using wood joinery such as a Dado Joint. Fasteners and wood glue are also encouraged to further reinforce the locking wood joinery. The wood grain of the platform shall be oriented left to right. The front nose of the platform shall be a finished appearance surface. See illustrations 1Q & 1R for joinery concepts.
- C** Solid enclosure required on the top, bottom, left side, right side and back. The back surface may be drywall. Advanced fabrication and assembly techniques are strongly encouraged to ensure precise cabinet squareness and parallelism.
- D** Junction box location: Must be flush with back surface so as not to extend into the 24-15/16" cabinet depth. Junction box may also be located in an adjacent cabinet.
- E** The front surface of the interior cleats shall be a finished appearance surface.
- F** The Wall Oven REQUIRES an extruded aluminum LOWER VENT TRIM. Wall oven models beginning with "ZTSX" already include the aluminum vent trim. For models beginning with "ZTS", the vent trim kit ZX30VT1 must be ordered which includes the aluminum vent trim and mounting hardware. Please call 1-800-626-2000 with any questions.
- G** The opening center line dimension is taken at the FRONT OPENING of each enclosure.
- H** Wall Oven bottom surface cleat is to be 1/4" thick MDF fiber board or equivalent.

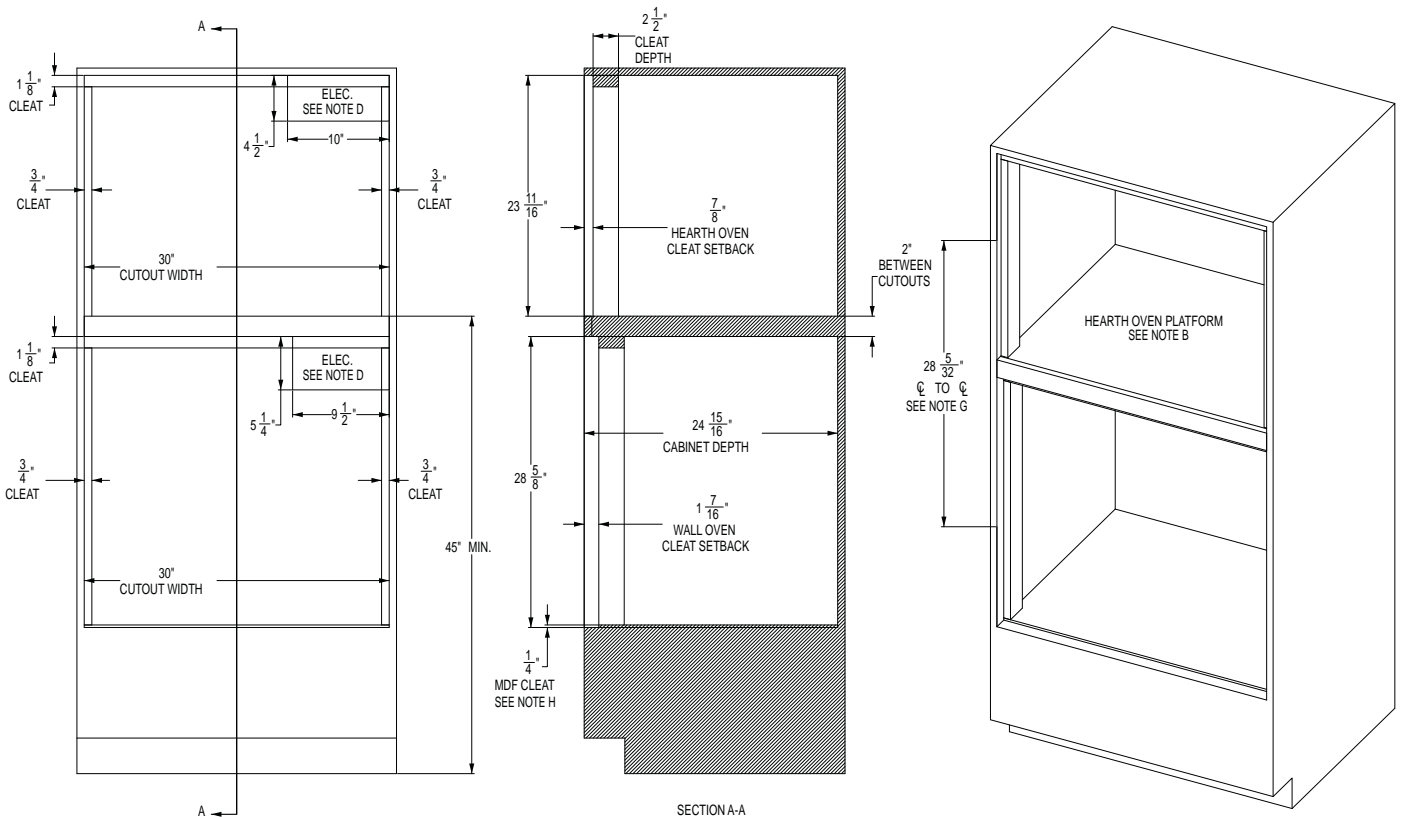




# Installations

## 1 F HEARTH OVEN OVER WALL OVEN – FLUSH-INSET INSTALLATION WITH A 2" PLATFORM BETWEEN

- A** 45" is the required minimum installation height. Oven may be installed higher based on owner preference.
- B** Hearth Oven Platform must be able to support 200 lbs. (91kg).
- C** Solid enclosure required on the top, bottom, left side, right side and back. The back surface may be drywall. Advanced fabrication and assembly techniques are strongly encouraged to ensure precise cabinet squareness and parallelism.
- D** Junction box location: Must be flush with back surface so as not to extend into the 24-15/16" cabinet depth. Junction box may also be located in an adjacent cabinet.
- E** The front surface of the interior cleats shall be a finished appearance surface.
- F** The Wall Oven REQUIRES an extruded aluminum LOWER VENT TRIM. Wall oven models beginning with "ZTSX" already include the aluminum vent trim. For models beginning with "ZTS", the vent trim kit ZX30VT1 must be ordered which includes the aluminum vent trim and mounting hardware. Please call 1-800-626-2000 with any questions.
- G** The opening center line dimension is taken at the FRONT OPENING of each enclosure.
- H** Wall Oven bottom surface cleat is to be 1/4" thick MDF fiber board or equivalent.

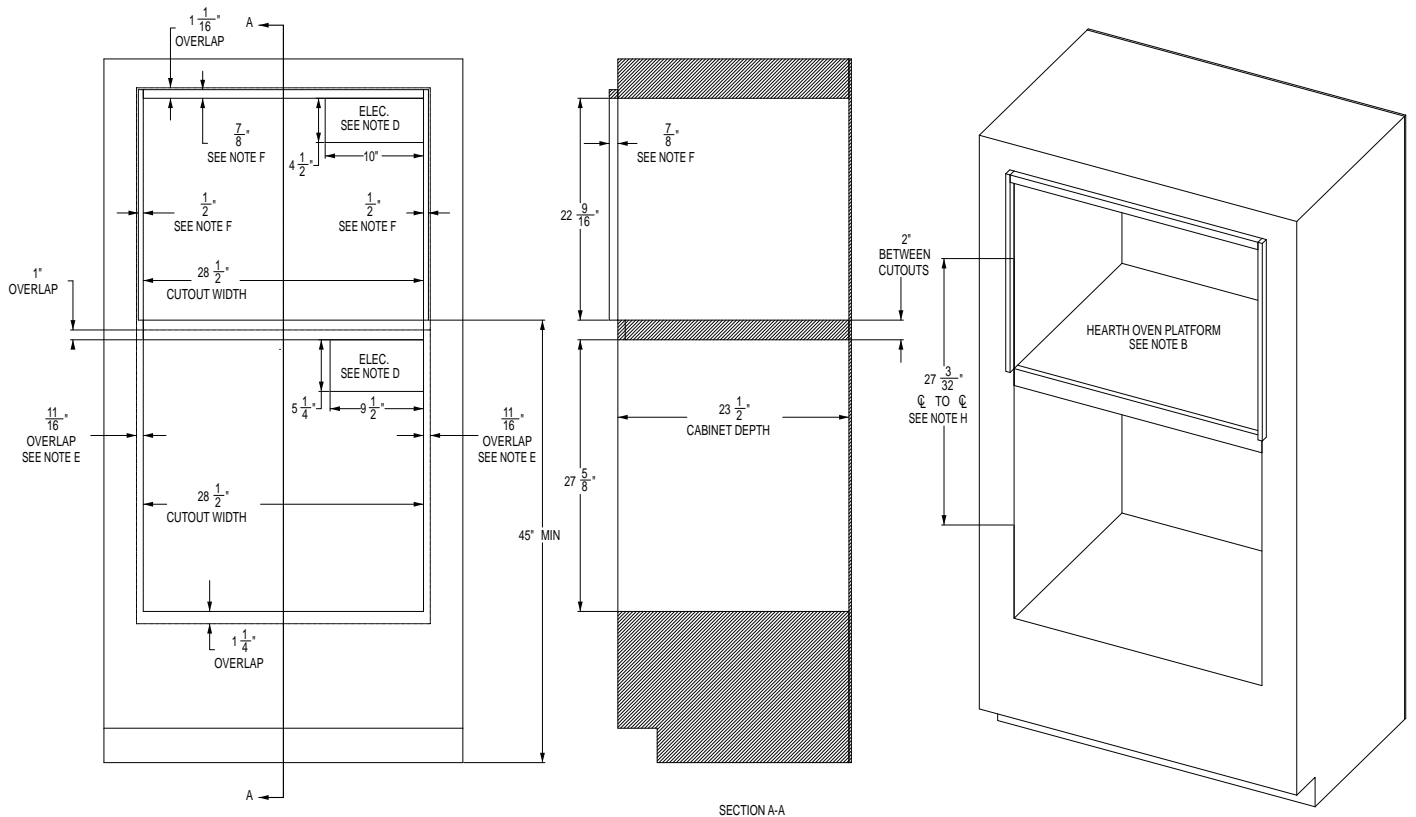




# Installations

## 1 H HEARTH OVEN OVER FRENCH DOOR WALL OVEN –STANDARD INSTALLATION WITH A 2” PLATFORM BETWEEN

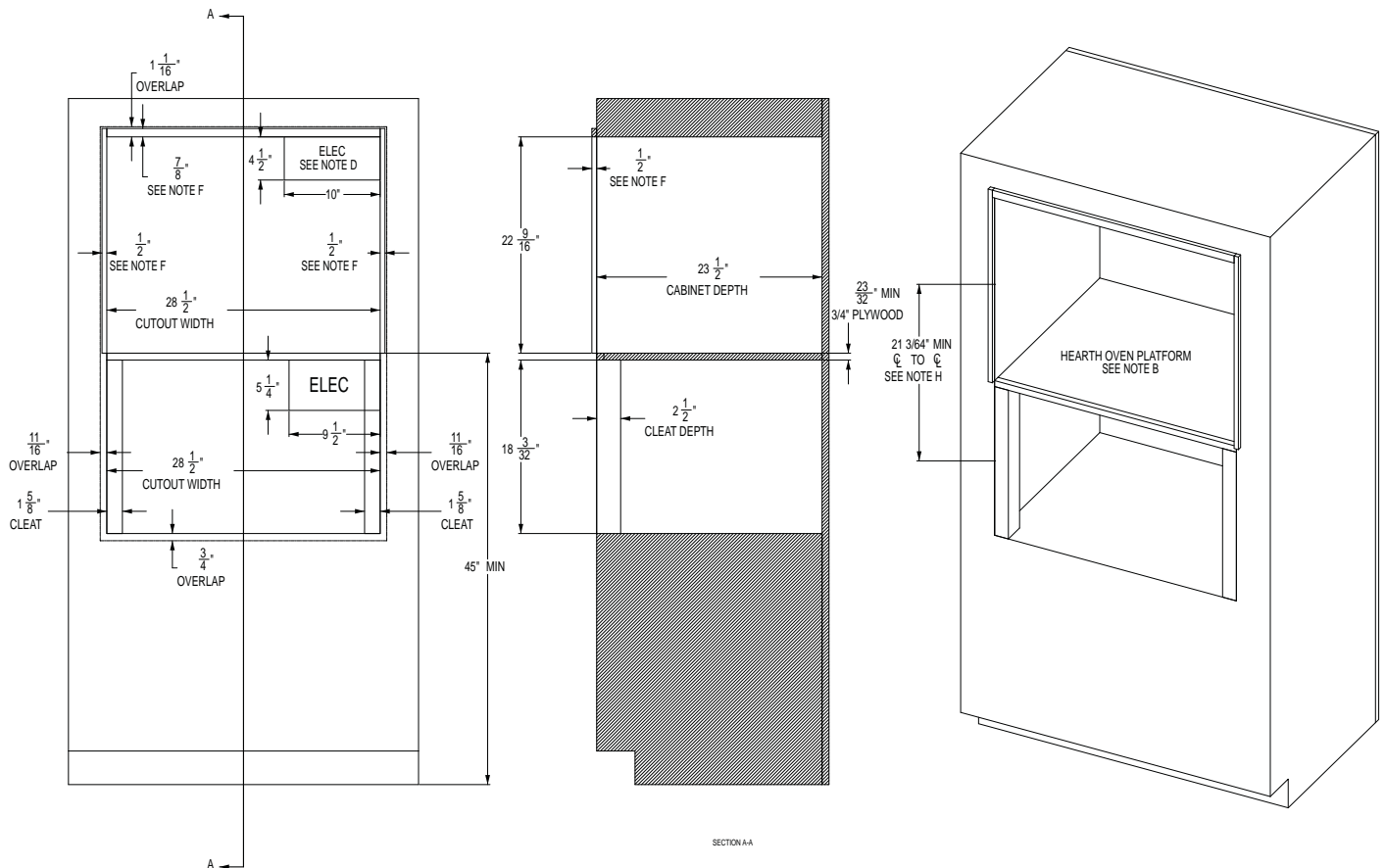
- A** 45” is the required minimum installation height. Oven may be installed higher based on owner preference.
- B** Hearth Oven Platform must be able to support 200 lbs. (91kg).
- C** Solid enclosure required on the top, bottom, left side, right side and back. The back surface may be drywall. Advanced fabrication and assembly techniques are strongly encouraged to ensure precise cabinet squareness and parallelism.
- D** Junction box location: Must be flush with back surface so as not to extend into the 23 ½ inch cabinet depth. Junction box may also be located in an adjacent cabinet.
- E** A minimum 1/8” reveal BEYOND the OVERLAP dimensions is recommended for proper drawer and door operating clearance. For the Lower FRENCH DOOR WALL OVEN, please carefully refer to the door opening restrictions associated with nearby countertops, walls and cabinet fronts to adjust the overlap value accordingly.
- F** Exterior cleats may be added to the sides and top of the Hearth Oven opening in order to bring the front surface of the Hearth Oven into alignment with the front surface of the wall oven below. Finish per customer requirements. A flat black finish may better match the side appearance of the oven below.
- G** For the FRENCH DOOR WALL OVEN, the stainless-steel LOWER TRIM supplied with the unit is the only option.
- H** The opening center line dimension is taken at the FRONT OPENING of each enclosure.



# Installations

## 1 I HEARTH OVEN OVER STEAM OVEN –STANDARD INSTALLATION WITH A MINIMUM GAP BETWEEN

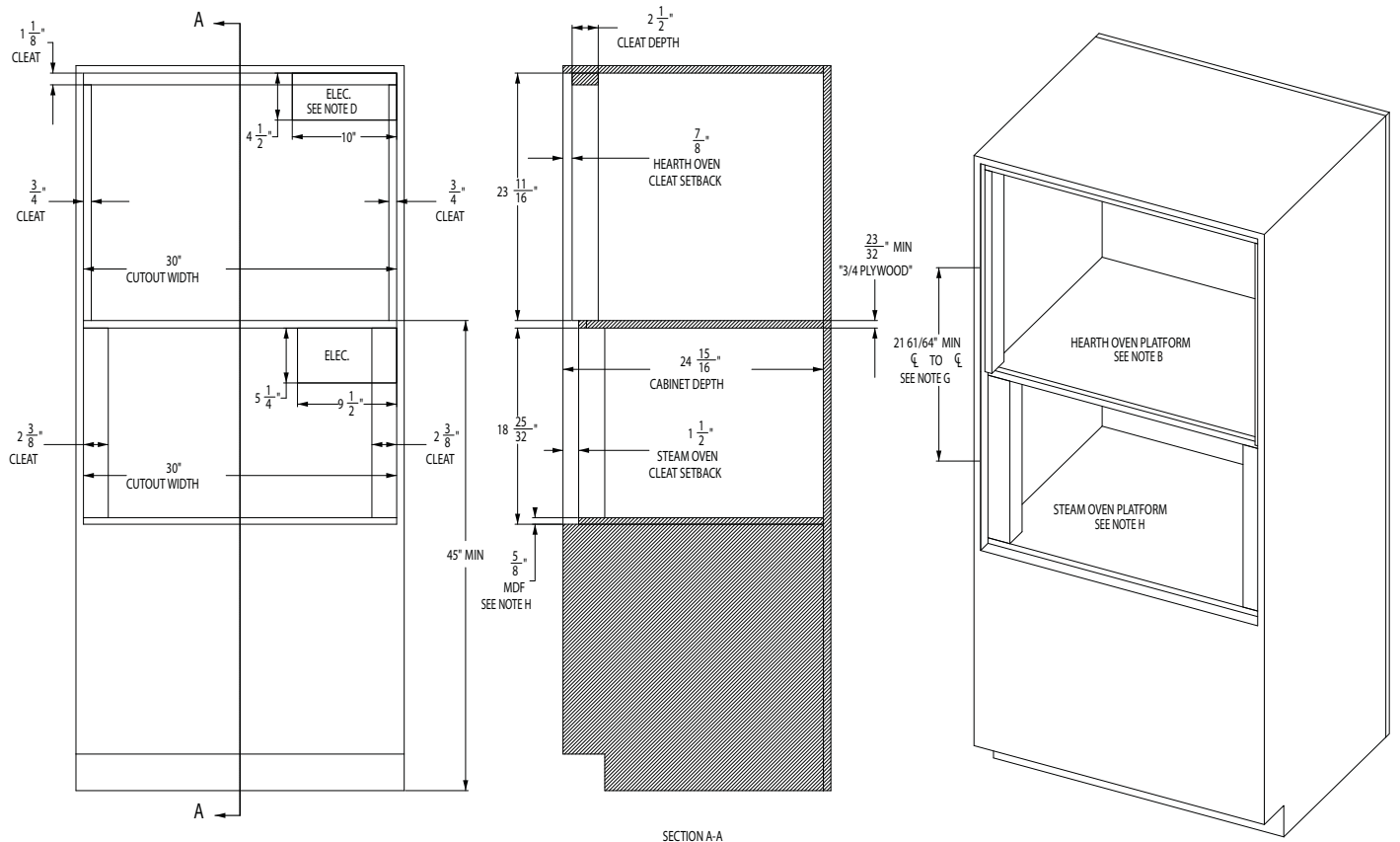
- A** 45" is the required minimum installation height. Oven may be installed higher based on owner preference.
- B** Hearth Oven Platform must be able to support 200 lbs. (91kg). For this installation, it is highly recommended to lock the platform into the side walls using wood joinery such as a Dado Joint. Fasteners and wood glue are also encouraged to further reinforce the locking wood joinery. The wood grain of the platform shall be oriented left to right. The front nose of the platform shall be a finished appearance surface. See illustrations 1Q & 1R for joinery concepts.
- C** Solid enclosure required on the top, bottom, left side, right side and back. The back surface may be drywall. Advanced fabrication and assembly techniques are strongly encouraged to ensure precise cabinet squareness and parallelism.
- D** Junction box location: Must be flush with back surface so as not to extend into the 23 ½ inch cabinet depth. Junction box may also be located in an adjacent cabinet.
- E** A minimum 1/8" reveal BEYOND the OVERLAP dimensions is recommended for proper drawer and door operating clearance.
- F** Exterior cleats may be added to the sides and top of the Hearth Oven opening in order to bring the front surface of the Hearth Oven into alignment with the front surface of the wall oven below. Finish per customer requirements. A flat black finish may better match the side appearance of the oven below.
- G** A LOWER VENT TRIM option is NOT available for this cabinet configuration.
- H** The opening center line dimension is taken at the FRONT OPENING of each enclosure.



# Installations

## 1 J HEARTH OVEN OVER STEAM OVEN – FLUSH-INSET INSTALLATION WITH A MINIMUM GAP BETWEEN

- A** 45" is the required minimum installation height. Oven may be installed higher based on owner preference.
- B** Hearth Oven Platform must be able to support 200 lbs. (91kg). For this installation, it is highly recommended to lock the platform into the side walls using wood joinery such as a Dado Joint. Fasteners and wood glue are also encouraged to further reinforce the locking wood joinery. The wood grain of the platform shall be oriented left to right. The front nose of the platform shall be a finished appearance surface. See illustrations 1Q & 1R for joinery concepts.
- C** Solid enclosure required on the top, bottom, left side, right side and back. The back surface may be drywall. Advanced fabrication and assembly techniques are strongly encouraged to ensure precise cabinet squareness and parallelism.
- D** Junction box location: Must be flush with back surface so as not to extend into the 24-15/16" cabinet depth. Junction box may also be located in an adjacent cabinet.
- E** The front surface of the interior cleats shall be a finished appearance surface.
- F** An optional LOWER TRIM KIT may be installed with a CUT OUT OPENING & BOTTOM CLEAT height changes. Trim kit ZXSTEAM1 can be used with a CUT OUT OPENING height of 19-25/32" and a BOTTOM CLEAT height of 1-5/8". Please call 1-800-626-2000 with any questions.
- G** The opening center line dimension is taken at the FRONT OPENING of each enclosure.
- H** Steam Oven bottom surface cleat is to be 5/8" thick MDF fiber board or equivalent.

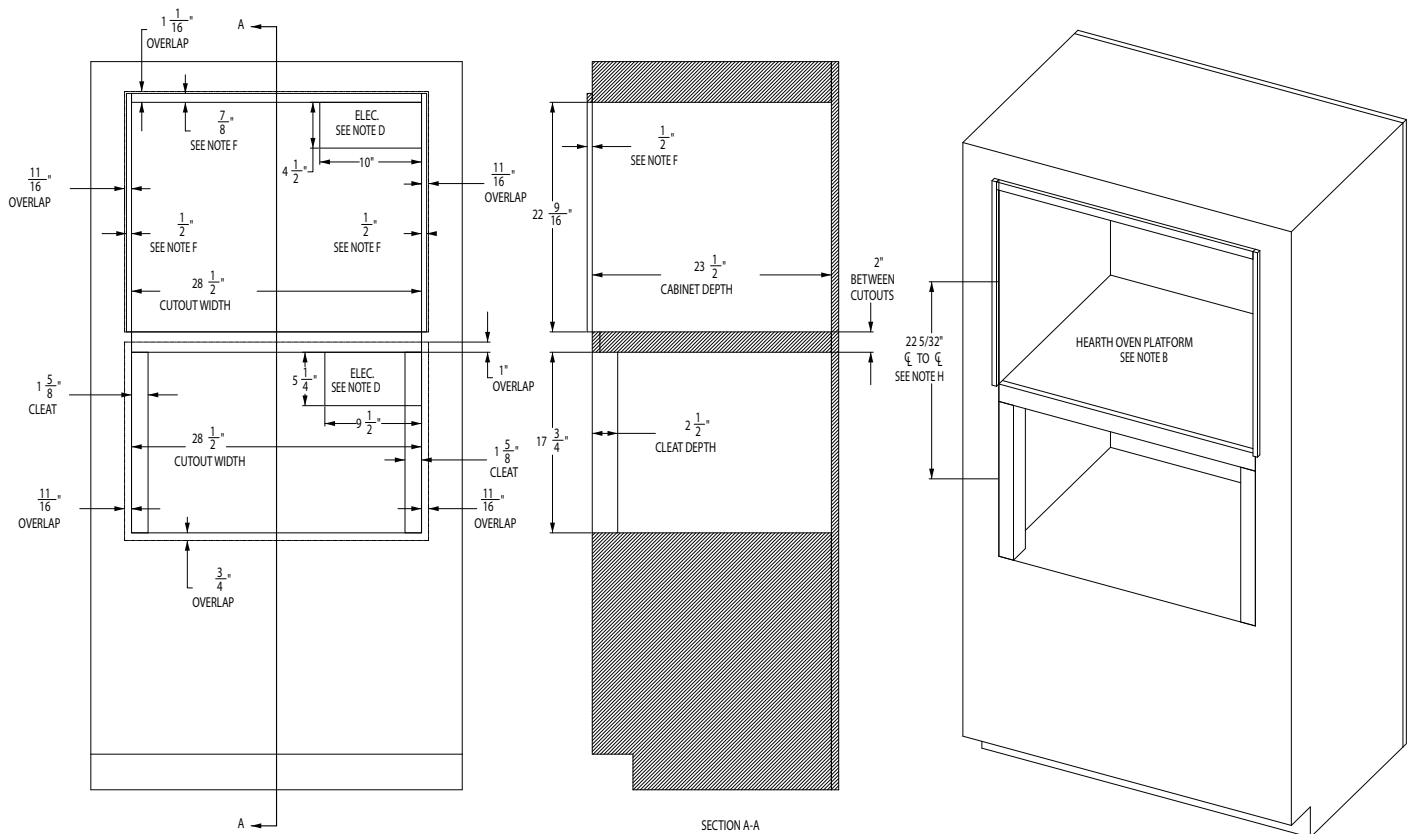




# Installations

## 1 K HEARTH OVEN OVER STEAM OVEN –STANDARD INSTALLATION WITH A 2” PLATFORM BETWEEN

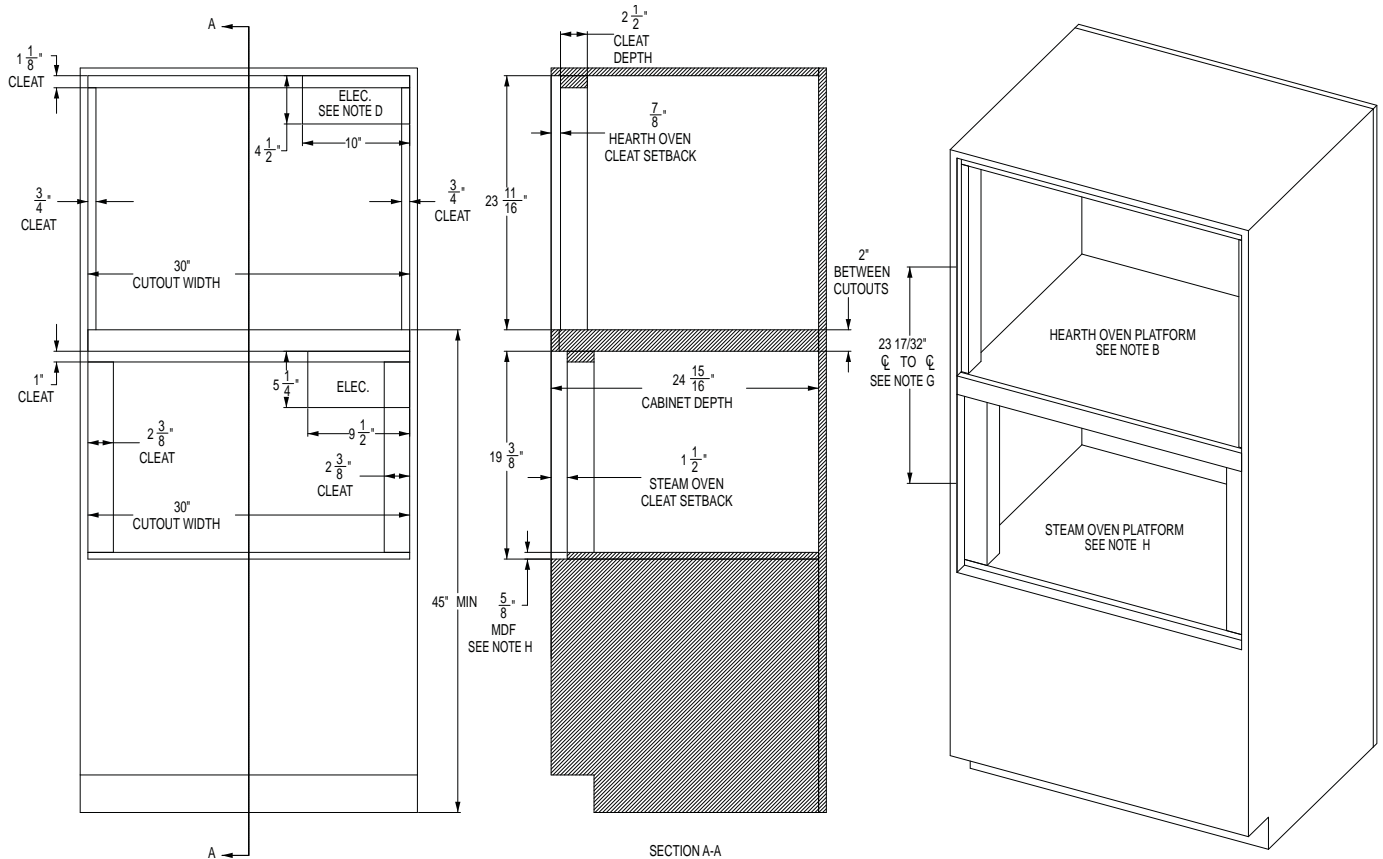
- A** 45” is the required minimum installation height. Oven may be installed higher based on owner preference.
- B** Hearth Oven Platform must be able to support 200 lbs. (91kg).
- C** Solid enclosure required on the top, bottom, left side, right side and back. The back surface may be drywall. Advanced fabrication and assembly techniques are strongly encouraged to ensure precise cabinet squareness and parallelism.
- D** Junction box location: Must be flush with back surface so as not to extend into the 23 ½ inch cabinet depth. Junction box may also be located in an adjacent cabinet.
- E** A minimum 1/8” reveal BEYOND the OVERLAP dimensions is recommended for proper drawer and door operating clearance.
- F** Exterior cleats may be added to the sides and top of the Hearth Oven opening in order to bring the front surface of the Hearth Oven into alignment with the front surface of the wall oven below. Finish per customer requirements. A flat black finish may better match the side appearance of the oven below.
- G** A LOWER VENT TRIM option is NOT available for this cabinet configuration.
- H** The opening center line dimension is taken at the FRONT OPENING of each enclosure.



# Installations

## 1 L HEARTH OVEN OVER STEAM OVEN – FLUSH-INSET INSTALLATION WITH A 2" PLATFORM BETWEEN

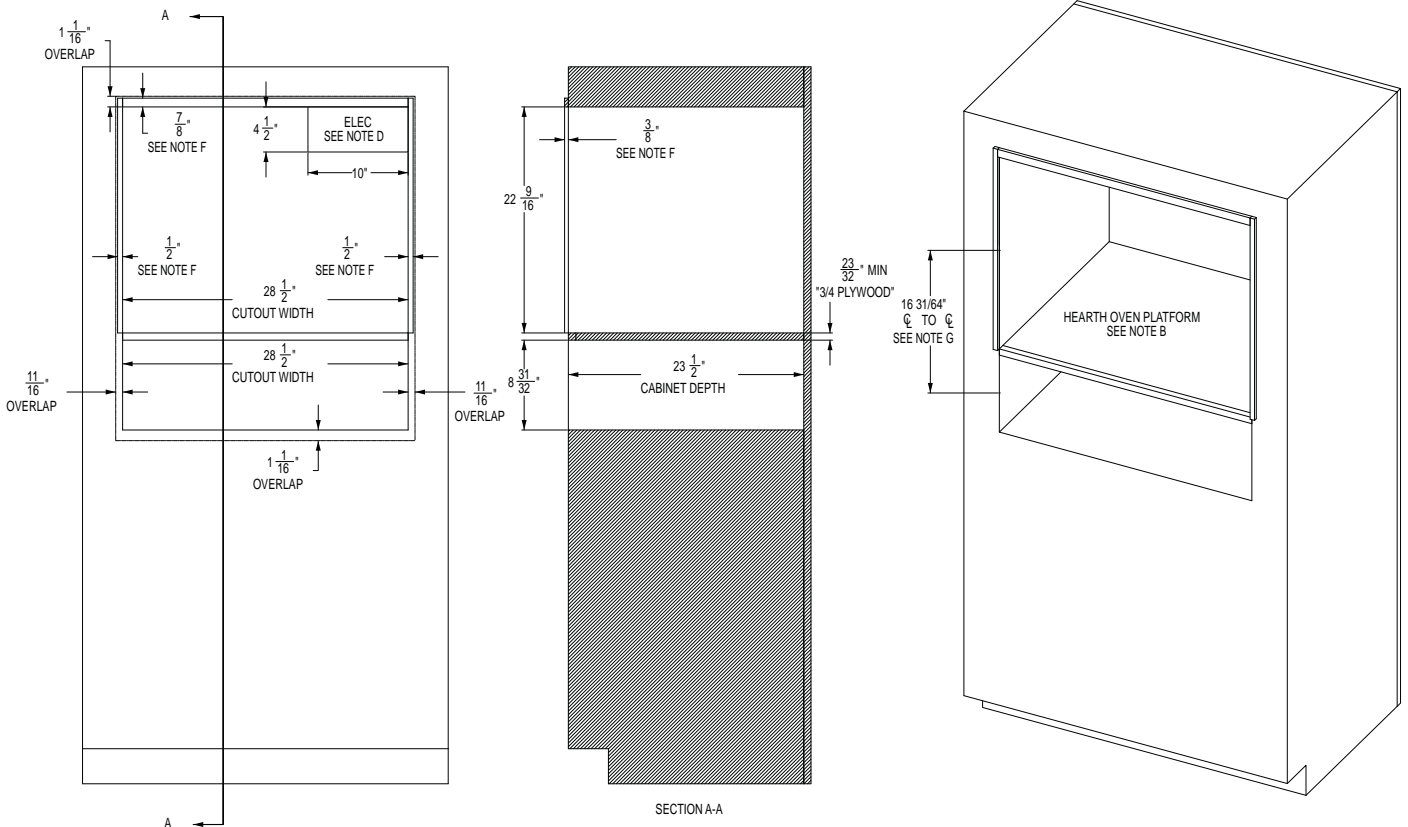
- A** 45" is the required minimum installation height. Oven may be installed higher based on owner preference.
- B** Hearth Oven Platform must be able to support 200 lbs. (91kg).
- C** Solid enclosure required on the top, bottom, left side, right side and back. The back surface may be drywall. Advanced fabrication and assembly techniques are strongly encouraged to ensure precise cabinet squareness and parallelism.
- D** Junction box location: Must be flush with back surface so as not to extend into the 24-15/16" cabinet depth. Junction box may also be located in an adjacent cabinet.
- E** The front surface of the interior cleats shall be a finished appearance surface.
- F** An optional LOWER TRIM KIT may be installed with a CUT OUT OPENING & BOTTOM CLEAT height changes. Trim kit ZXSTEAM1 can be used with a CUT OUT OPENING height of 20-3/8" and a BOTTOM CLEAT height of 1-5/8". Please call 1-800-626-2000 with any questions.
- G** The opening center line dimension is taken at the FRONT OPENING of each enclosure.
- H** Steam Oven bottom surface cleat is to be 5/8" thick MDF fiber board or equivalent.



# Installations

## 1 M HEARTH OVEN OVER WARMING DRAWER –STANDARD INSTALLATION WITH A MINIMUM GAP BETWEEN

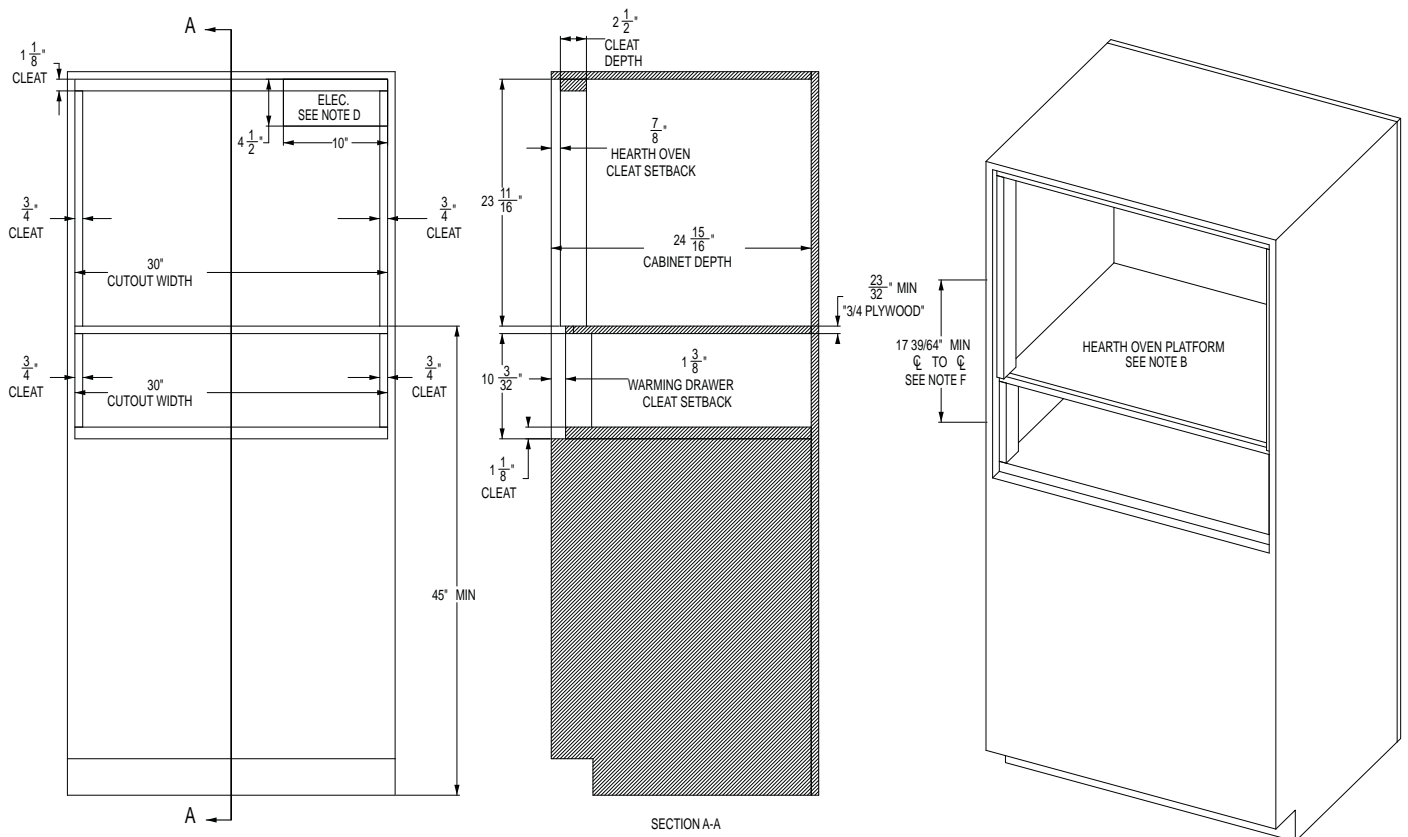
- A** 45" is the required minimum installation height. Oven may be installed higher based on owner preference.
- B** Hearth Oven Platform must be able to support 200 lbs. (91kg). For this installation, it is highly recommended to lock the platform into the side walls using wood joinery such as a Dado Joint. Fasteners and wood glue are also encouraged to further reinforce the locking wood joinery. The wood grain of the platform shall be oriented left to right. The front nose of the platform shall be a finished appearance surface. See illustrations 1Q & 1R for joinery concepts.
- C** Solid enclosure required on the top, bottom, left side, right side and back. The back surface may be drywall. Advanced fabrication and assembly techniques are strongly encouraged to ensure precise cabinet squareness and parallelism.
- D** Junction box location: Must be flush with back surface so as not to extend into the 23 ½ inch cabinet depth. Junction box may also be located in an adjacent cabinet.
- E** A minimum 1/8" reveal BEYOND the OVERLAP dimensions is recommended for proper drawer and door operating clearance.
- F** Exterior cleats may be added to the sides and top of the Hearth Oven opening in order to bring the front surface of the Hearth Oven into alignment with the front surface of the wall oven below. Finish per customer requirements. A flat black finish may better match the side appearance of the oven below.
- G** The opening center line dimension is taken at the FRONT OPENING of each enclosure.



# Installations

## 1 N HEARTH OVEN OVER WARMING DRAWER – FLUSH-INSET INSTALLATION WITH A MINIMUM GAP BETWEEN

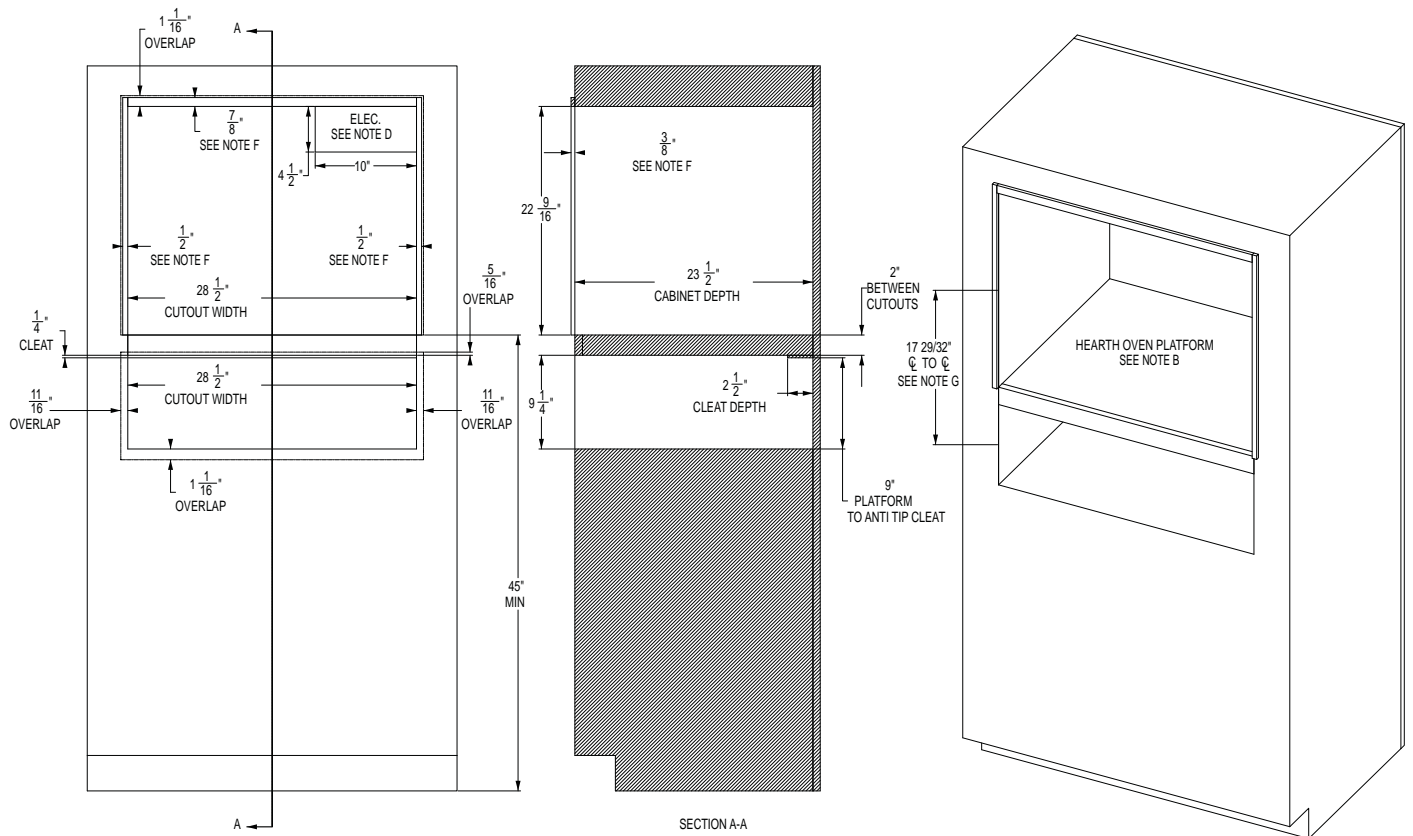
- A** 45" is the required minimum installation height. Oven may be installed higher based on owner preference.
- B** Hearth Oven Platform must be able to support 200 lbs. (91kg). For this installation, it is highly recommended to lock the platform into the side walls using wood joinery such as a Dado Joint. Fasteners and wood glue are also encouraged to further reinforce the locking wood joinery. The wood grain of the platform shall be oriented left to right. The front nose of the platform shall be a finished appearance surface. See illustrations 1Q & 1R for joinery concepts.
- C** Solid enclosure required on the top, bottom, left side, right side and back. The back surface may be drywall. Advanced fabrication and assembly techniques are strongly encouraged to ensure precise cabinet squareness and parallelism.
- D** Junction box location: Must be flush with back surface so as not to extend into the 24-15/16" cabinet depth. Junction box may also be located in an adjacent cabinet.
- E** The front surface of the interior cleats shall be a finished appearance surface.
- F** The opening center line dimension is taken at the FRONT OPENING of each enclosure.



# Installations

## 1 O HEARTH OVEN OVER WARMING DRAWER –STANDARD INSTALLATION WITH A 2” PLATFORM BETWEEN

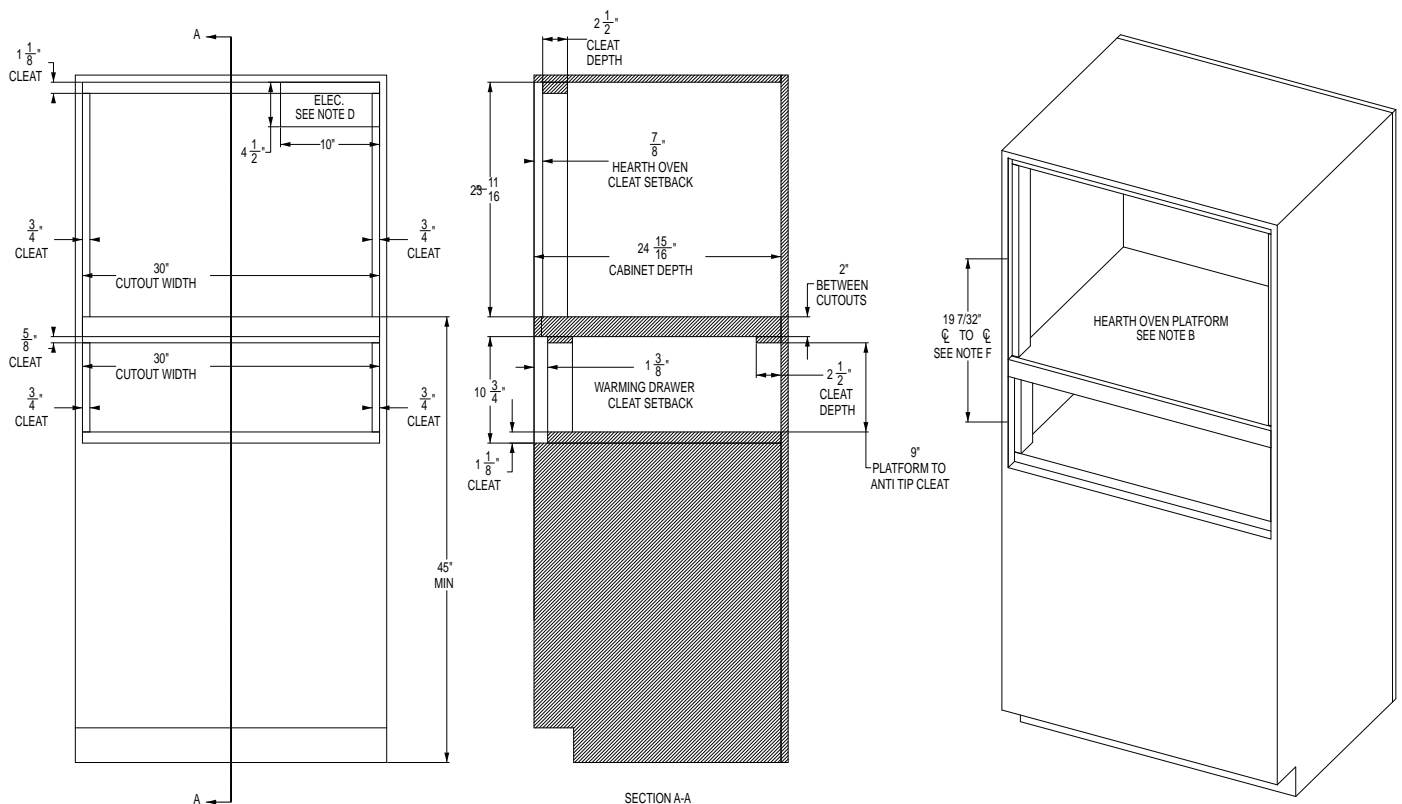
- A** 45” is the required minimum installation height. Oven may be installed higher based on owner preference.
- B** Hearth Oven Platform must be able to support 200 lbs. (91kg).
- C** Solid enclosure required on the top, bottom, left side, right side and back. The back surface may be drywall. Advanced fabrication and assembly techniques are strongly encouraged to ensure precise cabinet squareness and parallelism.
- D** Junction box location: Must be flush with back surface so as not to extend into the 23 ½ inch cabinet depth. Junction box may also be located in an adjacent cabinet.
- E** A minimum 1/8” reveal BEYOND the OVERLAP dimensions is recommended for proper drawer and door operating clearance.
- F** Exterior cleats may be added to the sides and top of the Hearth Oven opening in order to bring the front surface of the Hearth Oven into alignment with the front surface of the wall oven below. Finish per customer requirements. A flat black finish may better match the side appearance of the oven below.
- G** The opening center line dimension is taken at the FRONT OPENING of each enclosure.



# Installations

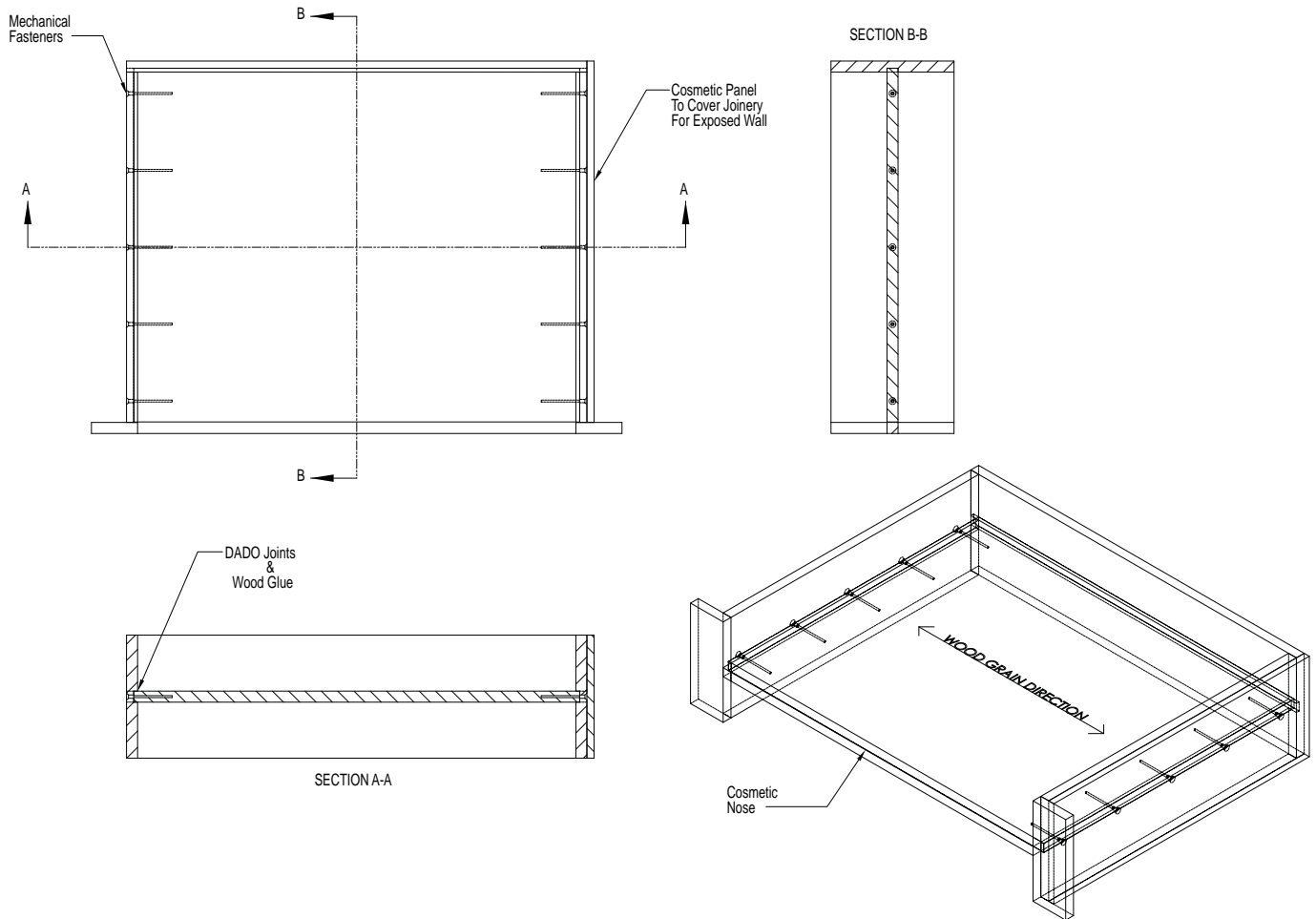
## 1 P HEARTH OVEN OVER WARMING DRAWER – FLUSH-INSET INSTALLATION WITH A 2” PLATFORM BETWEEN

- A** 45” is the required minimum installation height. Oven may be installed higher based on owner preference.
- B** Hearth Oven Platform must be able to support 200 lbs. (91kg).
- C** Solid enclosure required on the top, bottom, left side, right side and back. The back surface may be drywall. Advanced fabrication and assembly techniques are strongly encouraged to ensure precise cabinet squareness and parallelism.
- D** Junction box location: Must be flush with back surface so as not to extend into the 24-15/16” cabinet depth. Junction box may also be located in an adjacent cabinet.
- E** The front surface of the interior cleats shall be a finished appearance surface.
- F** The opening center line dimension is taken at the FRONT OPENING of each enclosure.



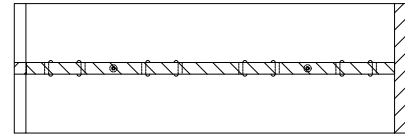
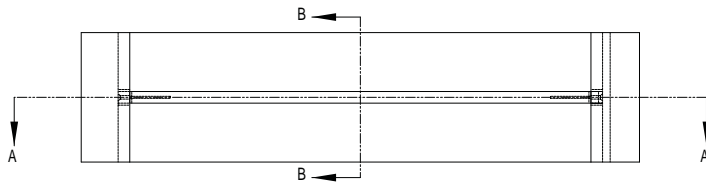
# Installations

## 1 Q HEARTH OVEN PLATFORM FOR MINIMUM GAP BETWEEN APPLIANCES: DADO & MECHANICAL FASTENER CONCEPT

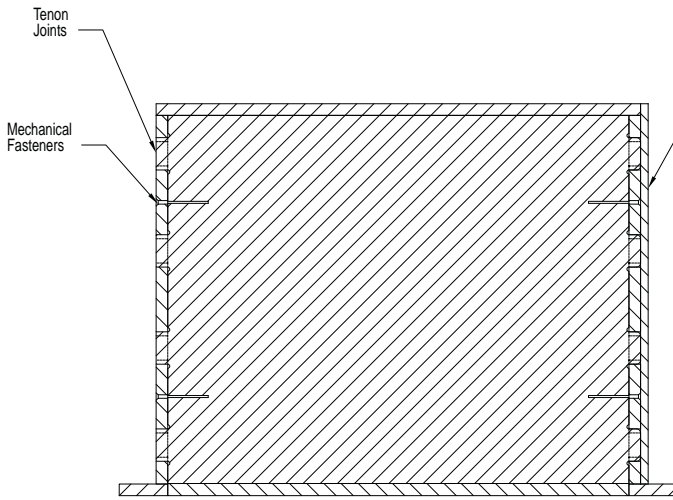


# Installations

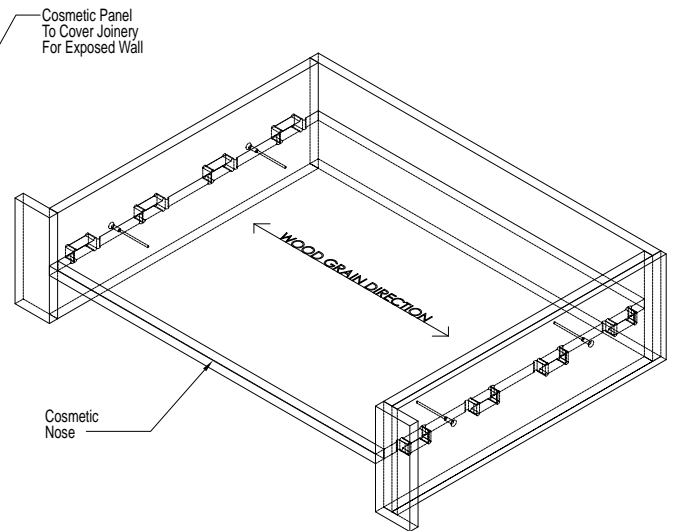
## 1 R HEARTH OVEN PLATFORM FOR MINIMUM GAP BETWEEN APPLIANCES: TENON & MECHANICAL FASTENER CONCEPT



SECTION B-B



SECTION A-A





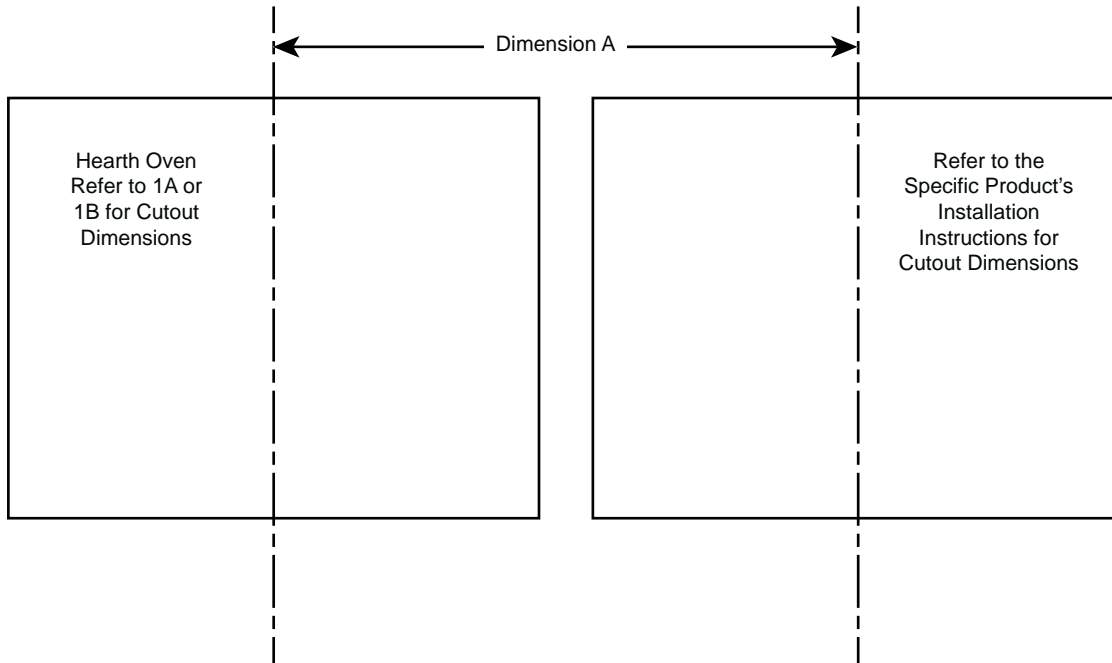
# Installations

## 1 S SIDE-BY-SIDE COMBO INSTALLATION

For a list of products compatible with Hearth Oven Side-by-Side Installation check online at [geappliances.com/combinations](http://geappliances.com/combinations).

Please refer to the installation literature of both units for such installations.

For assistance with cabinet design please connect with a Monogram Designer.



Oven Type	Min. Distance - Dimension A Product to Product Centerlines
Hearth Oven next to Wall Oven	30.5"
Hearth Oven next to Steam Oven	30.5"
Hearth Oven next to French Door Wall Oven	42.5"

# Installation

## 2 ELECTRICAL CONNECTIONS

### ATTENTION INSTALLER

All electric wall ovens must be hard wired (direct wired) into an approved junction box. A plug and receptacle is NOT permitted on these products.

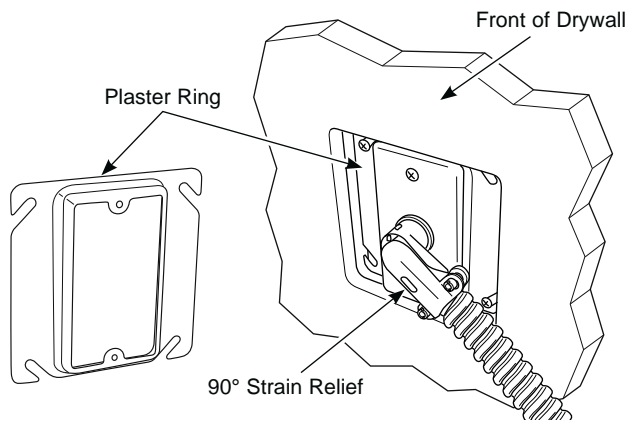
Do not shorten the flexible conduit. The conduit strain relief clamp must be securely attached to the junction box and the flexible conduit must be securely attached to the clamp. If the flexible conduit will not fit within the clamp, do not install the oven until a clamp of the proper size is obtained.

**NOTE TO ELECTRICIAN:** The 3 power leads supplied with this appliance are UL recognized for connection to heavier gauge household wiring. The insulation of these 3 leads is rated at temperatures much higher than the temperature rating of household wiring. The current carrying capacity of the conductor is governed by the wire gauge and the temperature rating of the insulation around the wire.

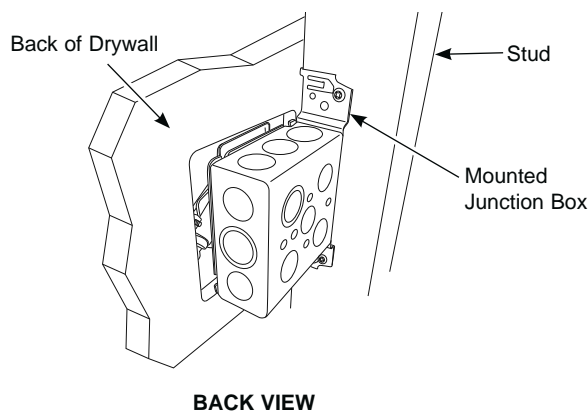
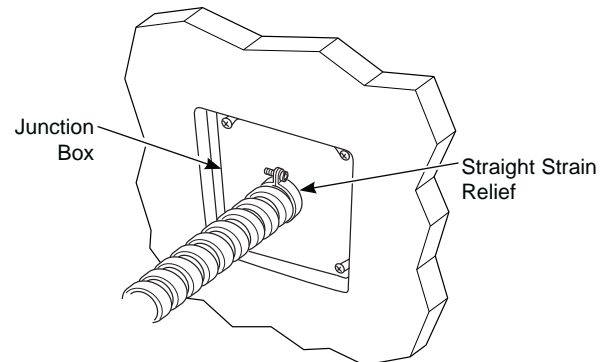
**⚠ WARNING** Improper connection of aluminum house wiring to copper leads can result in an electrical hazard or fire. Use only connectors designed for joining copper to aluminum and follow the manufacturer's recommended procedure closely.

### RECOMMENDED INSTALLATION OPTIONS

**Option 1** - A junction box with a plaster ring and 90° strain relief, mounted to a stud behind the drywall.



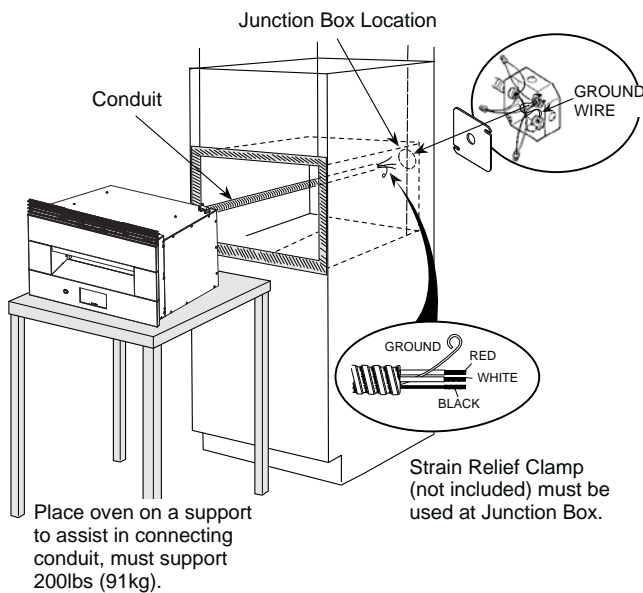
**Option 2** - Standard junction box with a straight strain relief, mounted to a stud behind the drywall.



# Installation

## 2 ELECTRICAL CONNECTIONS (Cont)

1. Turn off the circuit breaker or remove fuses to the oven branch circuit.
2. With the oven supported on a table or platform in front of the cabinet opening, connect the flexible conduit to the electrical junction box as shown below. Position the conduit in such a manner that it will lie in a natural loop, in the conduit pocket behind the unit, when the oven is installed. You will need to purchase an appropriate strain relief clamp to complete the connection of the conduit to the junction box.



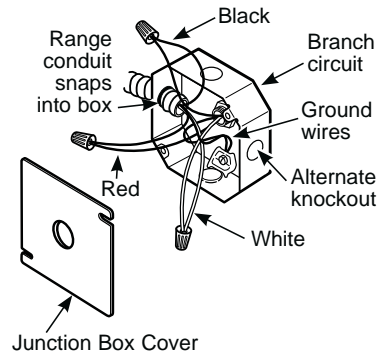
## A NEW CONSTRUCTION AND FOUR-CONDUCTOR BRANCH CIRCUIT CONNECTION

- When installing in new construction, or
- When installing in a mobile home, or
- When installing in a recreational vehicle, or
- When local codes do not permit grounding through neutral:

**NOTE:** If residence leads or ground are aluminum conductors, see WARNING on page 5.

When connecting to a four-conductor branch circuit, if local codes permit:

1. Free the neutral (white) lead from being restrained to any other wires. If necessary, cut the neutral (white) lead and then re-strip it to expose the proper length of conductor.
2. Attach the appliance grounding lead (green or bare copper) in accordance with local codes.



3. Connect the oven neutral (white) lead to the branch circuit neutral (white or gray) in accordance with local codes, using a wire nut.
4. Connect the oven red lead to the branch circuit red lead and the oven black lead to the branch circuit black lead in accordance with local codes, using wire nuts.
5. Install proper strain relief clamp.
6. Install junction box cover.

# Installation

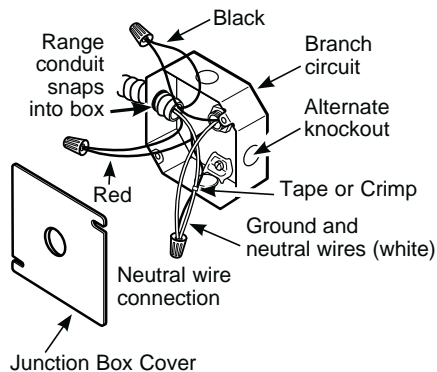
## 2 ELECTRICAL CONNECTIONS (Cont)

### B THREE-CONDUCTOR BRANCH CIRCUIT CONNECTION

**NOTE:** If residence leads are aluminum conductors, see WARNING on page 5.

When connecting to a three-conductor branch circuit, if local codes permit:

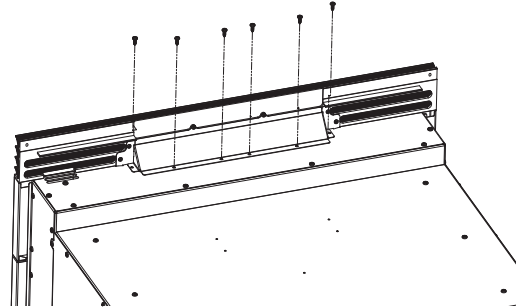
1. Connect the oven ground conductor along with the neutral (white) lead to the branch circuit neutral (white or gray in color), using a wire nut.



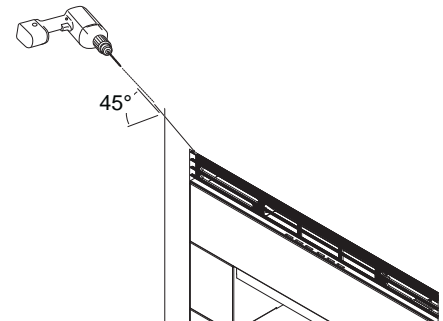
2. Connect the oven red lead to the branch circuit red lead and the oven black lead to the branch circuit black lead in accordance with local codes, using wire nuts.
3. Install proper strain relief clamp.
4. Install junction box cover.

## 3 INSTALLING THE OVEN IN THE CABINET

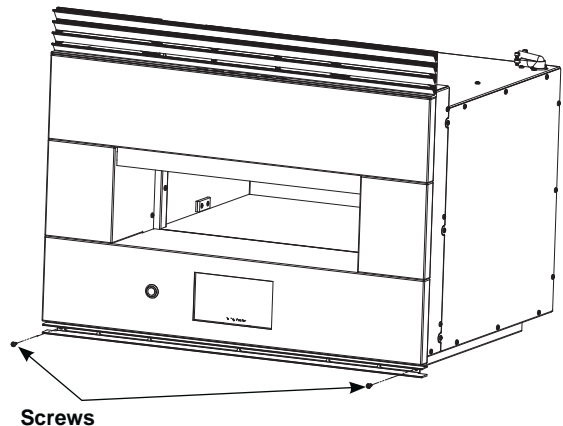
1. Before lifting oven into cabinet cutout, remove six screws from top vent and attach top grille to top of oven using the same screws as shown.



2. Lift oven into cabinet cutout using the bottom as a grip. Do not lift by the oven opening.
3. Carefully slide the oven back into the cutout until the top grille just touches the front face of the cabinet. **NOTE:** Do not push too far or damage to the top grille may occur.
4. Pre-drill top grille mounting holes into cabinet using 3/32" drill bit and the hole in the trim as a guide. Install two 3/4" Philips screws.



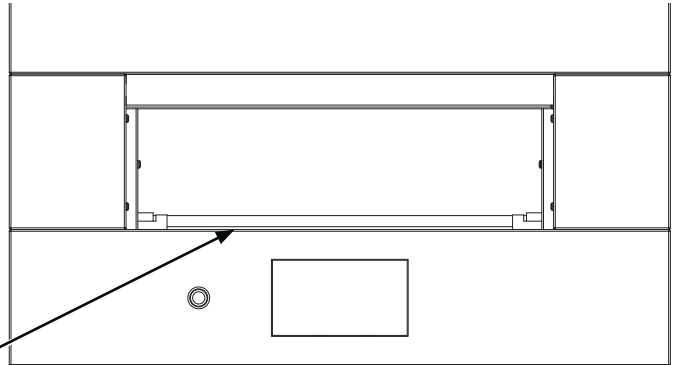
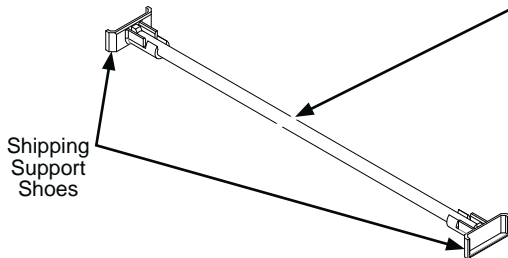
5. After oven is installed in cabinet, align Lower Vent Trim with holes on mounting brackets and install using two 1/2" Torx screws.



# Installation

## PRE-TEST CHECKLIST

- Remove all protective film, if present.
- Check to be sure that all wiring is secure and not pinched.
- Remove cooking deck shipping supports by:
  1. Remove Shipping Support Dowel by pulling up on one end.
  2. Remove both Shipping Support Shoes, Slide out from wall towards center of Stone.
  3. Pull out from oven and discard.



## OPERATION CHECKLIST

### IMPORTANT

- Remove all items from the inside of the oven.
- Check that conduit is securely connected to the junction box.
- Turn on the power to the oven. (Refer to your Owner's Manual.) Verify that all cooking functions operate properly.
- Check that the circuit breaker is not tripped nor the house fuse blown.
- See your Owner's Manual for troubleshooting list.

**NOTE TO ELECTRICIAN:** The power leads supplied with this appliance are UL recognized for connections to larger gauge household wiring. The insulation of these leads is rated at temperatures much higher than the temperature rating of household wiring. The current carrying capacity of a conductor is governed by the wire gauge and also the temperature rating of the insulation around the wire.

#### NOTE: ALUMINUM WIRING

- A. **⚠ WARNING** IMPROPER CONNECTION OF ALUMINUM HOUSE WIRING TO THE COPPER LEADS CAN RESULT IN AN ELECTRICAL HAZARD OR FIRE.
- B. Splice copper wires to aluminum wiring using special connectors designed and UL approved for joining copper to aluminum, and follow the manufacturer's recommended connector procedure closely.

**NOTE:** Wire used, location and enclosure of splices, etc., must conform to good wiring practice and local codes.

**NOTE:** While performing installations described in this book, safety glasses or goggles should be worn.

**NOTE:** Product improvement is a continuing endeavor at GE Appliances. Therefore, materials, appearance and specifications are subject to change without notice.



# INSTRUCCIONES DE INSTALACIÓN

**Horno de Hogar Para Interiores  
ZEP30FR**

ESPAÑOL.

# Información de Seguridad

¿Desea realizar una consulta o necesita ayuda con su electrodoméstico? ¡Intente a través del sitio Web de Monogram las 24 horas del día, cualquier día del año! También puede comprar más grandiosos productos de Monogram y sacar ventaja de todos nuestros servicios de soporte a través de Internet, diseñados para su conveniencia. En EE.UU.: monogram.com o llame a Monogram al 800.444.1845.

## PARA SU SEGURIDAD

- Cerciórese de que su horno sea instalado adecuadamente por un instalador calificado o por un técnico de servicio.
- Cerciórese de que su horno esté firmemente instalado en un gabinete que esté firmemente adherido a la estructura de la casa. Nunca permita que nadie se suba, se siente, se pare o se cuelgue del horno.
- Cerciórese de que los gabinetes y los revestimientos de la pared alrededor del horno puedan soportar las temperaturas (hasta 200°F [93,3°C]) generadas por el horno.

**⚠ ADVERTENCIA** La energía eléctrica hacia la línea de suministro del horno debe ser desconectada mientras se hacen las conexiones. No hacer esto podría resultar en lesiones graves e incluso provocar la muerte.

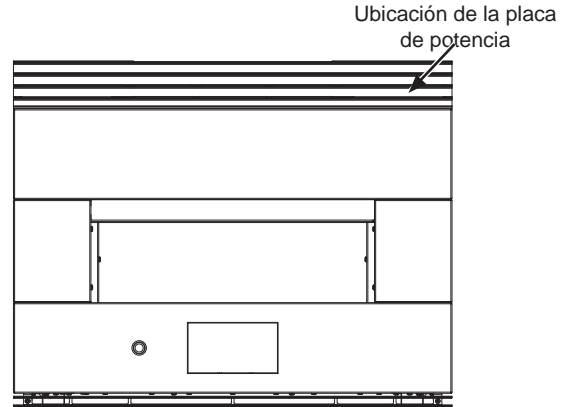
## REQUISITOS ELÉCTRICOS

Este aparato debe abastecerse con la frecuencia y el voltaje adecuados, y conectarse a un circuito eléctrico individual con conexión a tierra con protección de un fusible o interruptor automático. Lea la etiqueta de características técnicas en la parte inferior del panel frontal, a fin de determinar las especificaciones del producto. El siguiente cuadro muestra la protección mínima recomendada para el circuito especializado.

Potencia KW 240V	Potencia KW 208V	Tamaño Requerido del Circuito (Especializado)
9,7 KW–12,0 KW	8,4 KW–10,4 KW	50 Amp

## REQUISITOS ELÉCTRICOS

La etiqueta de características técnicas está ubicada en la parte superior derecha del panel frontal.



Recomendamos que el cableado y la conexión eléctrica de su horno los realice un electricista calificado. Después de la instalación, solicite al electricista que le indique cómo desconectar la energía de la cocina.

Consulte con su compañía de servicios local para obtener los códigos eléctricos que sean aplicables en su área. No hacer el cableado de su horno de manera apropiada, respetando los códigos vigentes, podría resultar en condiciones peligrosas. Si no existen códigos locales, su aparato debe usar un cableado y fusibles que cumplan con los requisitos del Código Eléctrico Nacional, ANSI/NFPA No. 70—Última edición. Usted puede obtener una copia de este código disponible en National Fire Protection Association (Asociación Nacional de Protección contra Incendios).

A partir del 1ro. de enero de 1996, el Código Eléctrico Nacional requiere que todas las construcciones nuevas, pero no existentes, usen una conexión de 4 conductores hacia cualquier horno eléctrico. Cuando instale un horno eléctrico en una construcción nueva, casa móvil, vehículo de recreación o un área donde los códigos locales prohíban la conexión a tierra a través del conductor neutro, siga las instrucciones en la Sección CONSTRUCCIONES NUEVAS Y CONEXIONES DE CIRCUITOS RAMALES DE 4 CONDUCTORES.

Usted debe usar un sistema eléctrico de fase única de 120/208 VAC o 120/240 VAC de 60 hercios. Si hace una conexión a alambres de aluminio, debe usar conectores adecuadamente instalados que estén aprobados para ser utilizados con cableados de aluminio.

# LEA Y GUARDE ESTAS INSTRUCCIONES



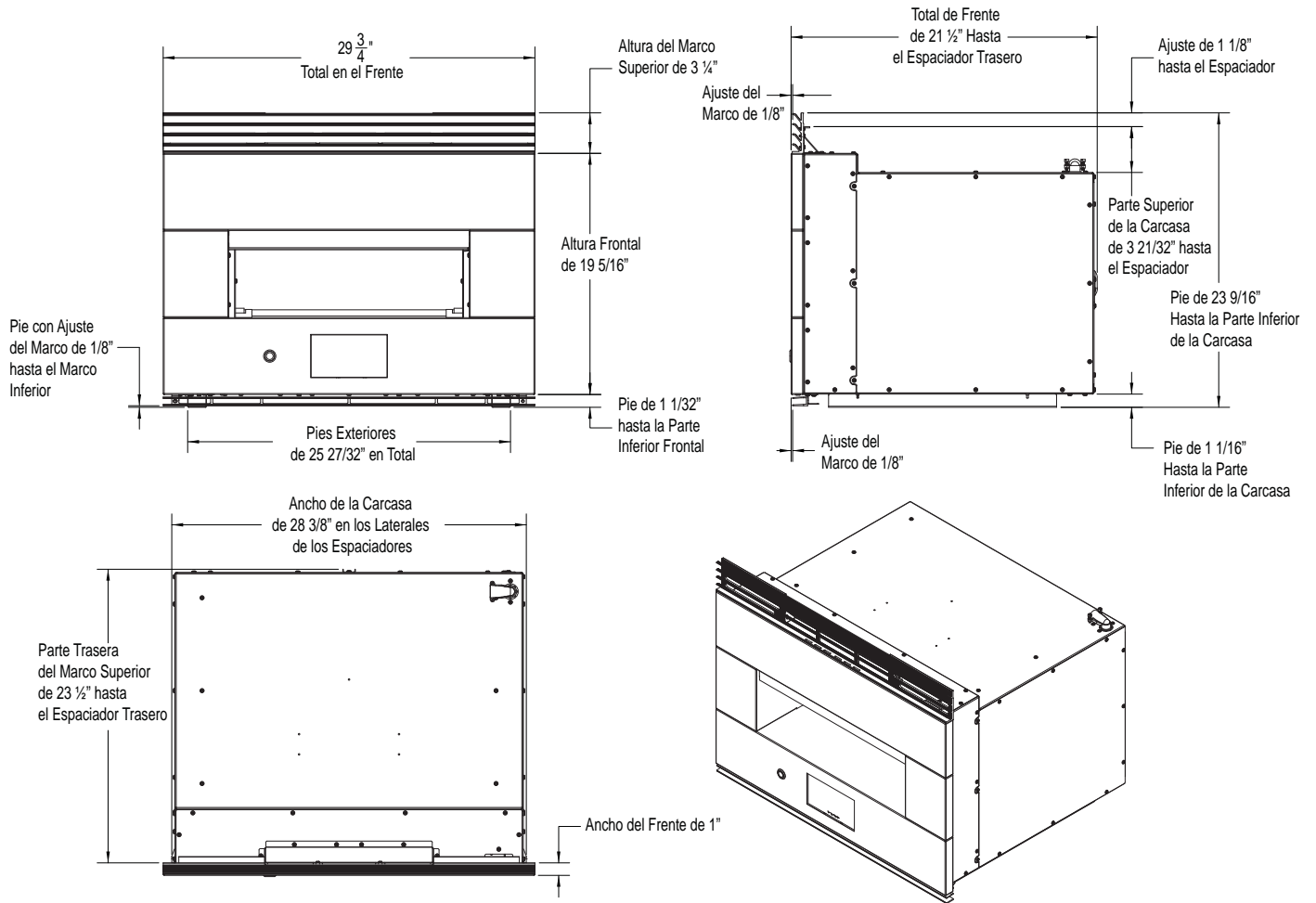
# Contenidos

## CONTENIDOS

<b>Información de Seguridad</b> .....	2	Mínimo Intermedio .....	15
<b>Información de diseño</b>		<b>1J:</b> Horno de Hogar sobre Horno de Vapor – Instalación con Montaje al Ras con un Espacio Libre Mínimo Intermedio .....	16
Dimensiones Del Producto (Con Marco).....	4	<b>1K:</b> Horno de Hogar sobre Horno de Vapor – Instalación Estándar con una Plataforma Intermedia de 2” .....	17
Lista De Control Antes De La Instalación .....	5	<b>1L:</b> Horno de Hogar sobre Horno de Vapor – Instalación con Montaje al Ras con una Plataforma Intermedia de 2” .....	18
<b>Información de instalación</b>		<b>1M:</b> Horno de Hogar sobre Horno de Vapor – Instalación Estándar con un Espacio Libre Intermedio Mínimo .....	19
Parts Included .....	6	<b>1N:</b> Horno de Hogar sobre Cajón para Calentar – Instalación con Montaje al Ras con un Espacio Libre Intermedio Mínimo.....	20
Materials Needed (not provided).....	6	<b>1O:</b> Horno de Hogar sobre Cajón para Calentar – Instalación Estándar con una Plataforma Intermedia de 2” .....	21
Tools Needed .....	6	<b>1P:</b> Horno de Hogar sobre Cajón para Calentar – Instalación con Montaje al Ras con una Plataforma Intermedia de 2” .....	22
<b>Instalación</b>		<b>1Q:</b> Plataforma de Horno de Hogar para un Espacio Libre Mínimo entre Electrodomésticos: Concepto de Dado y Sujetador Mecánico.....	23
<b>1A:</b> Espacio Libre para el Horno de Hogar - Instalación Estándar .....	7	<b>1R:</b> Plataforma de Horno de Hogar para un Espacio Libre Mínimo entre Electrodomésticos: Concepto de Espiga y Sujetador Mecánico.....	24
<b>1B:</b> Horno de Hogar – Instalación con Montaje al Ras.....	8	<b>1S:</b> Instalación de Combo de Lado a Lado .....	25
<b>1C:</b> Horno de Hogar sobre Horno de Pared – Instalación Estándar con un Espacio Libre Mínimo Intermedio.....	9	<b>2.</b> Conexiones Eléctricas.....	26
<b>1D:</b> Horno de Hogar sobre Horno de Pared – Instalación con Montaje al Ras con un Espacio Libre Mínimo Intermedio.....	10	<b>3.</b> Instalación del Horno en el Gabinete.....	28
<b>1E:</b> Horno de Hogar sobre Horno de Pared – Instalación Estándar con una Plataforma Intermedia de 2” .....	11	<b>LISTA DE CONTROL ANTES DE LA PRUEBA</b> .....	29
<b>1F:</b> Horno de Hogar sobre Horno de Pared – Instalación con Montaje al Ras con una Plataforma Intermedia de 2”.....	12	<b>LISTA DE CONTROL PARA LA OPERACIÓN</b> .....	29
<b>1G:</b> Horno de Hogar sobre Horno de Pared con Puerta Francesa - Instalación Estándar con un Espacio Libre Mínimo Intermedio .....	13		
<b>1H:</b> Horno de Hogar sobre Horno de Pared con Puerta Francesa - Instalación Estándar con una Plataforma Intermedia de 2” .....	14		
<b>1I:</b> Horno de Hogar sobre Horno de Vapor - Instalación Estándar con un Espacio Libre			

# Información de diseño

## DIMENSIONES DEL PRODUCTO (CON MARCO)

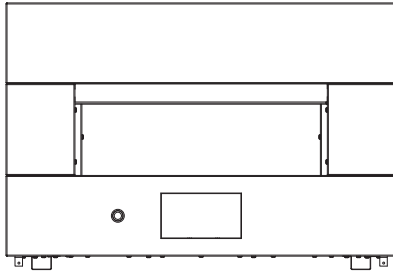


# Información de diseño

## LISTA DE CONTROL ANTES DE LA INSTALACIÓN

**¡TODA LA INFORMACIÓN DE INSTALACIÓN QUE FIGURA EN LAS PÁGINAS SIGUIENTES DEBERÁ SER USADA EN LA INSTALACIÓN DEL HORNO ELÉCTRICO DE HOGAR PARA INTERIORES.**

- Retire los materiales de embalaje y extraiga el paquete de instrucciones.



Horno de Hogar



Paquete Informativo



Marco Incluido

- Extraiga las instrucciones de instalación del paquete y léalas cuidadosamente antes de empezar la instalación. Cerciérese de guardar bien todas las instrucciones, Manual del propietario, Instalación, etc. para referencia en el futuro.

- Coloque el horno sobre la mesa o plataforma al nivel de la abertura del gabinete. La plataforma debe soportar 200 lbs. (91 Kg). Estos hornos no están aprobados para las instalaciones apilables.

El Horno de Hogar se podrá instalar en un gabinete solo, sobre o junto a modelos aprobados. Para consultar sobre los modelos aprobados, lea la etiqueta en la parte superior del horno o visite [geappliances.com/combinations](http://geappliances.com/combinations).

**⚠ PRECAUCIÓN** La instalación del horno por debajo de la altura mínima de 45 pulgadas crea riesgos de incendio para los niños. No instale el mismo debajo de la altura mínima.

# Información de instalación

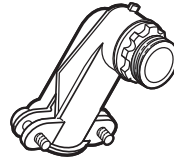
## ANTES DE EMPEZAR

Lea estas instrucciones cuidadosa y completamente.

- **IMPORTANTE** — Guarde estas instrucciones y téngalas disponibles para el inspector local.
- **IMPORTANTE** — Cumpla con todos los códigos y ordenanzas vigentes.
- **Nota al instalador** – Cerciérese de dejar estas instrucciones con el propietario.
- **Nota al consumidor** – Guarde estas instrucciones para usarlas como referencia en el futuro.
- La instalación apropiada es responsabilidad del instalador y la falla del producto por una instalación incorrecta NO está cubierta por la garantía.
- **Nota** – Este aparato debe estar conectado a tierra adecuadamente.
- **¡ATENCIÓN AL INSTALADOR!**

Todos los hornos electrónicos de pared deben ser cableados directamente en una caja de conexión aprobada. Un “enchufe-receptáculo” NO ES permitido en estos productos.

## MATERIALES NECESARIOS

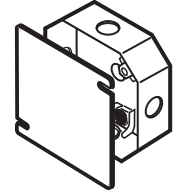


Opción 1

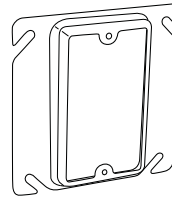
Abrazadera de alivio de presión para conducto de 1/2"



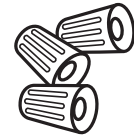
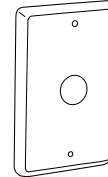
Opción 2



Caja de conexión (Profundidad Máx. de 1 1/2)



Anillo de Yeso y Tapa (Opción 1)



Tuercas para alambres

## PARTES INCLUIDAS

(la apariencia puede variar)



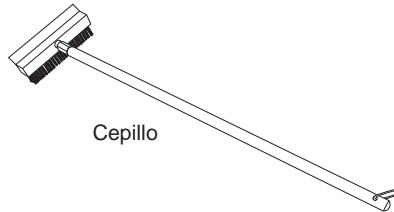
Ensamblaje de la Parrilla Superior



Torx T20 de 1/2" para Parrilla Superior e Inferior (8)

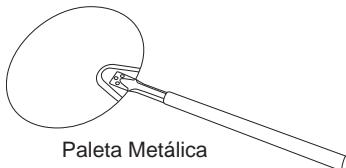


Tornillos Phillips de 3/4" (2)



Parrilla Inferior

Cepillo



Paleta Metálica



Paleta de Madera

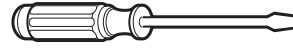
## HERRAMIENTAS NECESARIAS



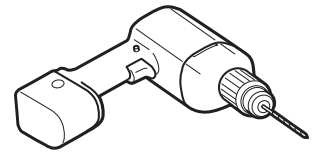
Alicates pelacables



Destornillador de estrella #2



Destornillador con punta plana



Taladro y broca de 3/32"

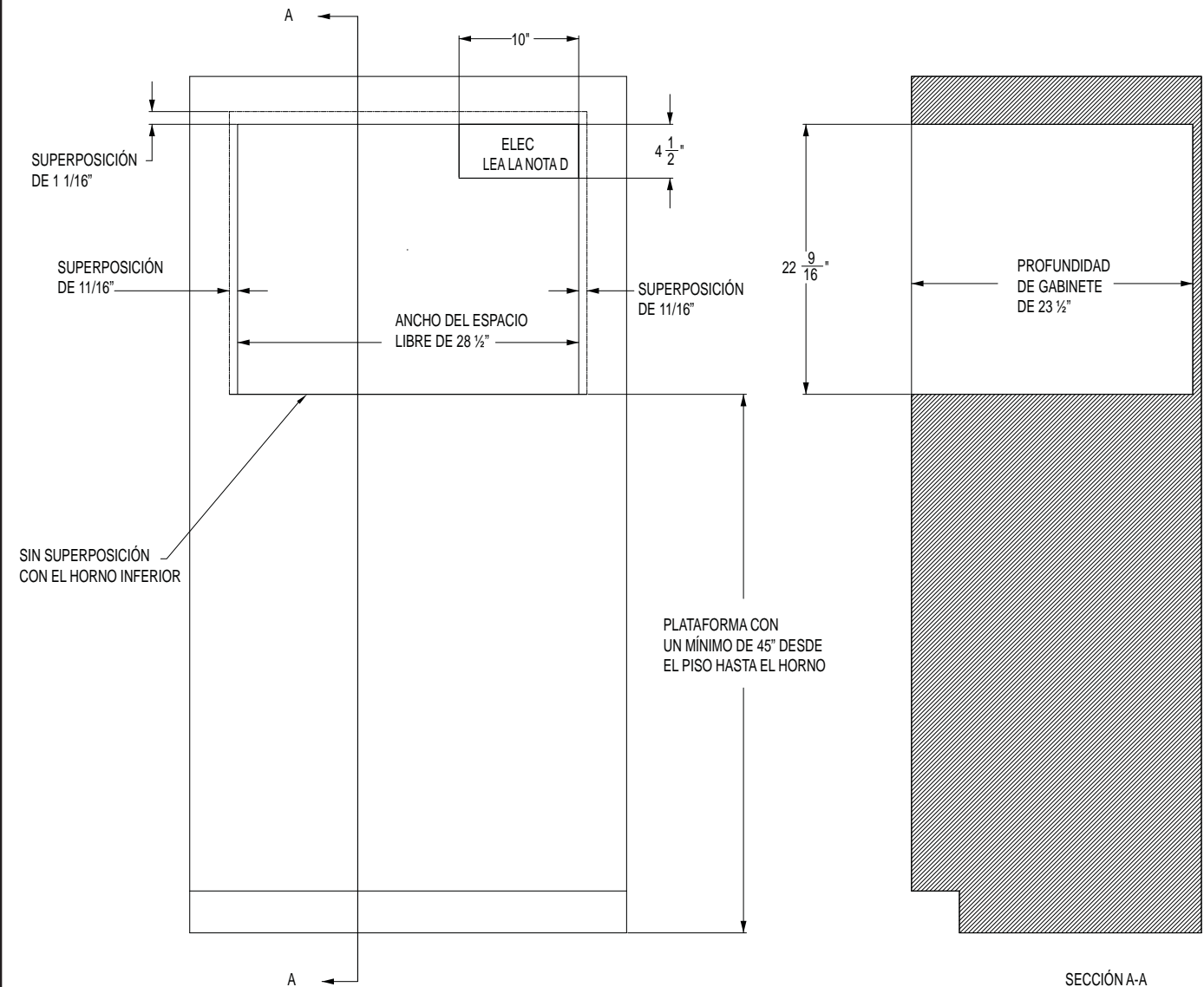


Destornillador Torx T20

# Instalaciones

## 1 A HORNO DE HOGAR - INSTALACIÓN ESTÁNDAR

- A** 45" es la altura de instalación mínima requerida. El horno podrá ser instalado más arriba, dependiendo de la preferencia del propietario.
- B** La plataforma deberá poder soportar 200 libras (91 kg).
- C** Se requiere un cerramiento sólido en las partes superior, inferior, izquierda, derecha y trasera. La superficie trasera podrá ser de yeso. Se recomienda el uso de técnicas de fabricación y ensamble avanzadas, a fin de asegurar un grado preciso de nivelación y paralelismo de los gabinetes.
- D** Ubicación de la caja de empalmes: Deberá estar nivelado con la superficie trasera de modo que no se extienda sobre la profundidad del gabinete de 23-1/2 pulgadas. La caja de empalmes podrá estar ubicada en un gabinete adyacente.
- E** Se podrá lograr un aspecto nivelado en relación a la puerta del gabinete y el frente de los cajones circundantes. Se recomienda el uso de un perfil de un mínimo de 1/8" MÁS ALLÁ de las dimensiones de SUPERPOSICIÓN.



# Instalaciones

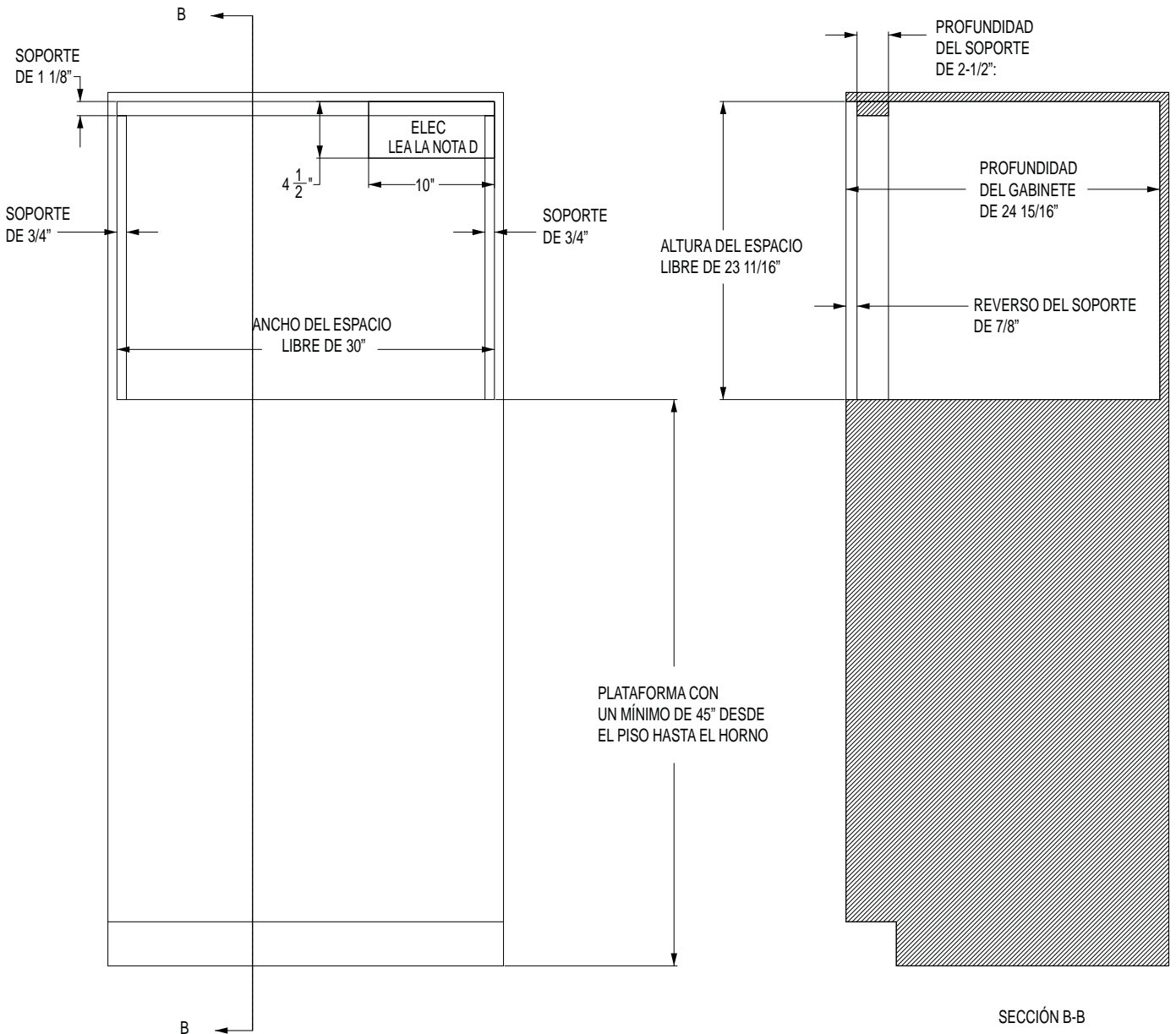
## 1 B HORNO DE HOGAR – INSTALACIÓN CON MONTAJE AL RAS

**A** 45" es la altura de instalación mínima requerida. El horno podrá ser instalado más arriba, dependiendo de la preferencia del propietario.

**B** La plataforma deberá poder soportar 200 libras (91 kg).

**C** Se requiere un cerramiento sólido en las partes superior, inferior, izquierda, derecha y trasera. La superficie trasera podrá ser de yeso. Se recomienda el uso de técnicas de fabricación y ensamble avanzadas, a fin de asegurar un grado preciso de nivelación y paralelismo de los gabinetes.

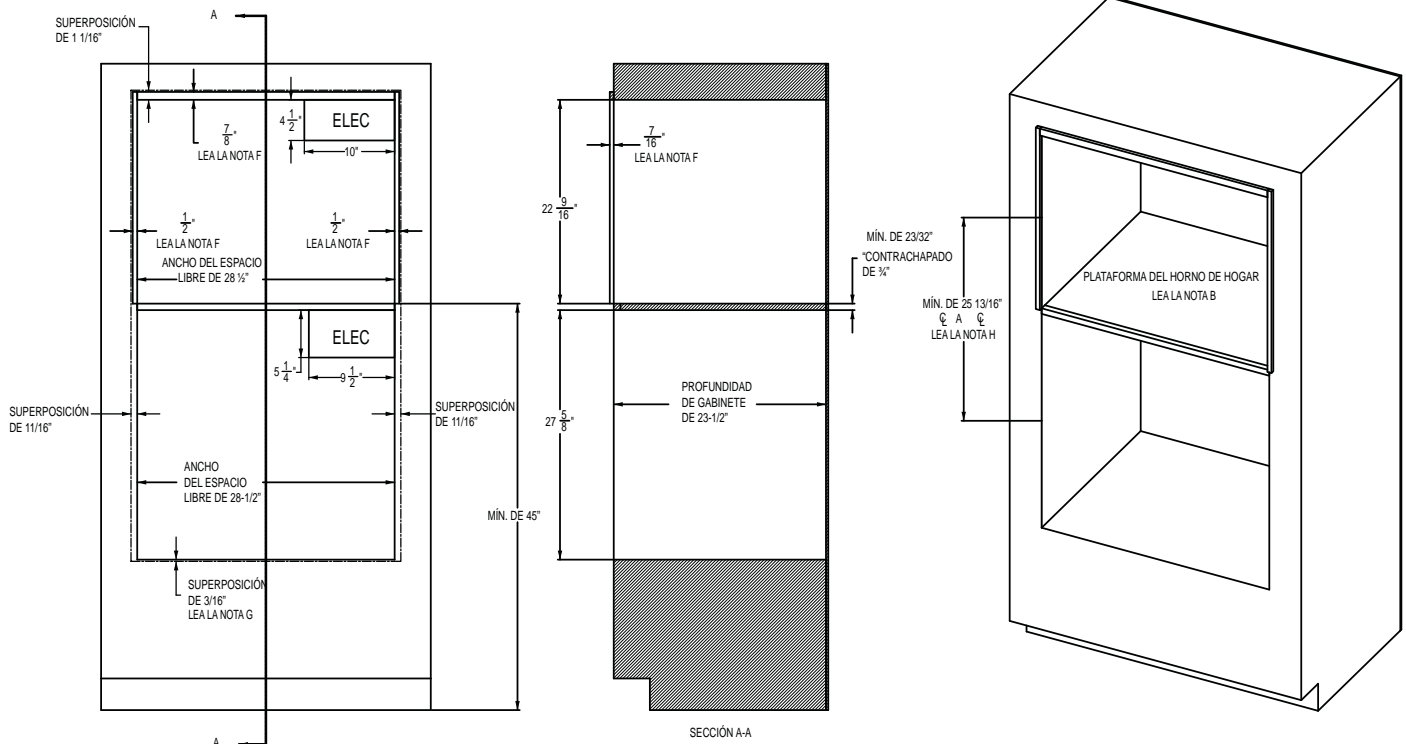
**D** Ubicación de la caja de empalmes: Deberá estar nivelado con la superficie trasera de modo que no se extienda sobre la profundidad del gabinete de 24-15/16 pulgadas. La caja de empalmes podrá estar ubicada en un gabinete adyacente.



# Instalaciones

## 1 C HORNO DE HOGAR SOBRE HORNO DE PARED – INSTALACIÓN ESTÁNDAR CON ESPACIO LIBRE INTERMEDIO MÍNIMO

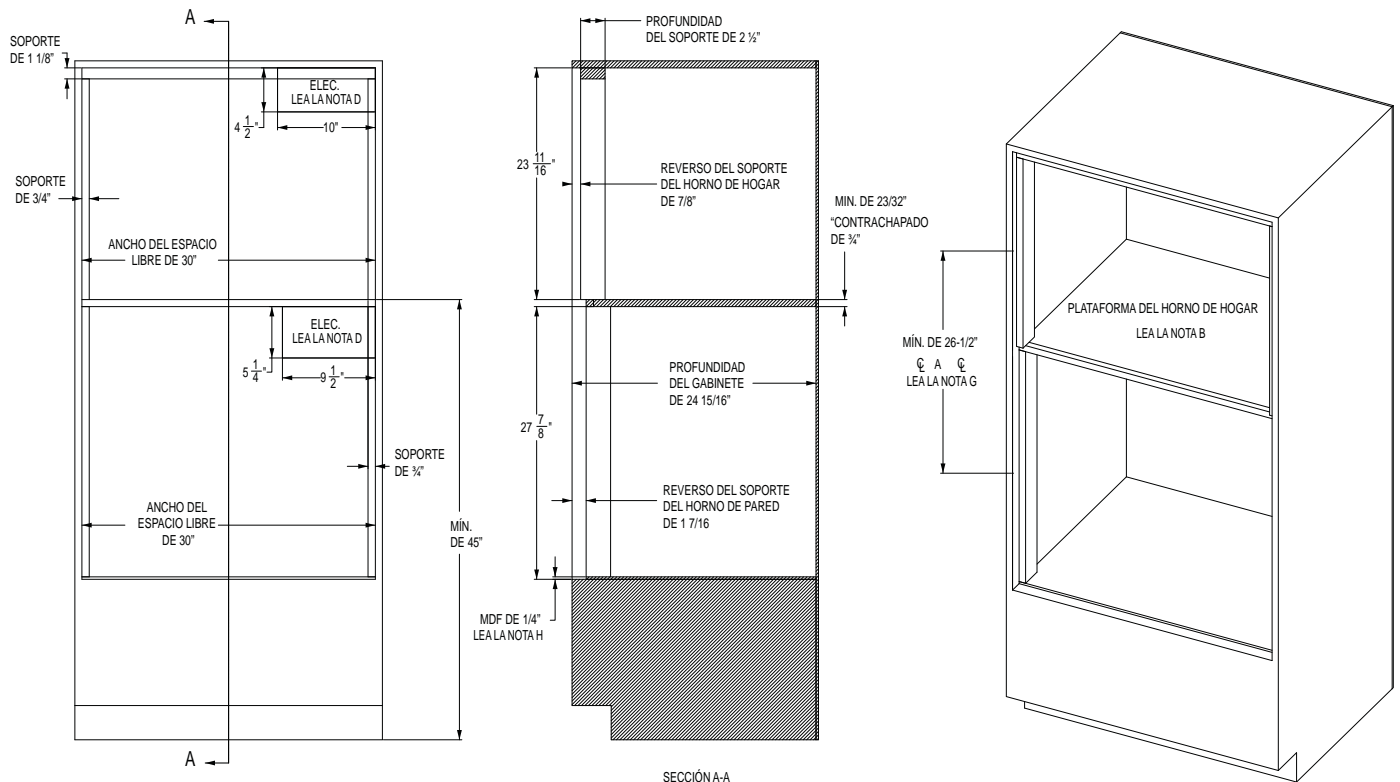
- A** 45" es la altura de instalación mínima requerida. El horno podrá ser instalado más arriba, dependiendo de la preferencia del propietario.
- B** La Plataforma del Horno de Hogar deberá poder soportar 200 libras (91 kg.). Para esta instalación, se recomienda enfáticamente bloquear la plataforma dentro de las paredes laterales, usando uniones de carpintería tipo Dado. También se recomienda el uso de sujetadores y pegamento para madera, a fin de reforzar aún más las uniones de carpintería. La veta de la madera de la plataforma se deberá orientar de izquierda a derecha. El borde frontal de la plataforma deberá poseer una superficie con acabado. Para consultar sobre conceptos de uniones, lea las ilustraciones 1Q y 1R.
- C** Se requiere un cerramiento sólido en las partes superior, inferior, izquierda, derecha y trasera. La superficie trasera podrá ser de yeso. Se recomienda el uso de técnicas de fabricación y ensamble avanzadas, a fin de asegurar un grado preciso de nivelación y paralelismo de los gabinetes.
- D** Ubicación de la caja de empalmes: Deberá estar nivelado con la superficie trasera de modo que no se extienda sobre la profundidad del gabinete de 23-1/2 pulgadas. La caja de empalmes podrá estar ubicada en un gabinete adyacente.
- E** Se recomienda el uso de un perfil de 1/8" MÁS ALLÁ de las dimensiones de SUPERPOSICIÓN, a fin de contar con un espacio libre para el desplazamiento del cajón y la puerta.
- F** Se podrán agregar soportes exteriores sobre los laterales y la parte superior de la abertura del Horno de Hogar, a fin de poder alinear la superficie frontal del Horno de Hogar con la superficie frontal del horno de pared que se encuentra debajo. El acabado será acorde con los requisitos del cliente. Un acabado negro liso podrá combinar mejor con el aspecto lateral del horno que se encuentra debajo.
- G** Para el HORNO DE PARED INFERIOR, se recomienda un MARCO CON VENTILACIÓN INFERIOR de aluminio extrudido. Los modelos de horno de pared que comienzan con "ZTSX" ya incluyen el marco de ventilación de aluminio. Para los modelos que comienzan con "ZTS", se deberá ordenar el kit del marco de ventilación ZX30VT1, que incluye el marco de ventilación de aluminio y las herramientas de montaje. De forma alternativa, el marco de acero inoxidable suministrado con todos los modelos se podrá usar para esta configuración de gabinetes. Asegúrese de ajustar la dimensión de "superposición" asociada con el marco de acero inoxidable. Antes cualquier duda, por favor comuníquese al 1-800-626-2000.
- H** La dimensión de la línea central de abertura se toma sobre la ABERTURA FRONTAL de cada cerramiento.



# Instalaciones

## 1 D HORNO DE HOGAR SOBRE HORNO DE PARED – INSTALACIÓN CON MONTAJE AL RAS CON ESPACIO LIBRE INTERMEDIO MÍNIMO

- A** 45" es la altura de instalación mínima requerida. El horno podrá ser instalado más arriba, dependiendo de la preferencia del propietario.
- B** La Plataforma del Horno de Hogar deberá poder soportar 200 libras (91 kg.). Para esta instalación, se recomienda enfáticamente bloquear la plataforma dentro de las paredes laterales, usando uniones de carpintería tipo Dado. También se recomienda el uso de sujetadores y pegamento para madera, a fin de reforzar aún más las uniones de carpintería. La veta de la madera de la plataforma se deberá orientar de izquierda a derecha. El borde frontal de la plataforma deberá poseer una superficie con acabado. Para consultar sobre conceptos de uniones, lea las ilustraciones 1Q y 1R.
- C** Se requiere un cerramiento sólido en las partes superior, inferior, izquierda, derecha y trasera. La superficie trasera podrá ser de yeso. Se recomienda el uso de técnicas de fabricación y ensamble avanzadas, a fin de asegurar un grado preciso de nivelación y paralelismo de los gabinetes.
- D** Ubicación de la caja de empalmes: Deberá estar nivelado con la superficie trasera de modo que no se extienda sobre la profundidad del gabinete de 24-15/16 pulgadas. La caja de empalmes podrá estar ubicada en un gabinete adyacente.
- E** La base frontal de los soportes interiores deberán poseer un acabado de su superficie.
- F** El Horno de Pared REQUIERE un MARCO DE VENTILACIÓN INFERIOR de aluminio extrudido. Los modelos de horno de pared que comienzan con "ZTSX" ya incluyen el marco de ventilación de aluminio. Para los modelos que comienzan con "ZTS", se deberá ordenar el kit del marco de ventilación ZX30VT1, que incluye el marco de ventilación de aluminio y las herramientas de montaje. De forma alternativa, el marco de acero inoxidable suministrado con todos los modelos se podrá usar para esta configuración de gabinetes. Asegúrese de ajustar la dimensión de "superposición" asociada con el marco de acero inoxidable. Antes cualquier duda, por favor comuníquese al 1-800-626-2000.
- G** La dimensión de la línea central de abertura se toma sobre la ABERTURA FRONTAL de cada cerramiento.
- H** El soporte de la superficie inferior del Horno de Pared deberá poseer una tabla de fibra de MDF de un grosor de 1/4" o equivalente.

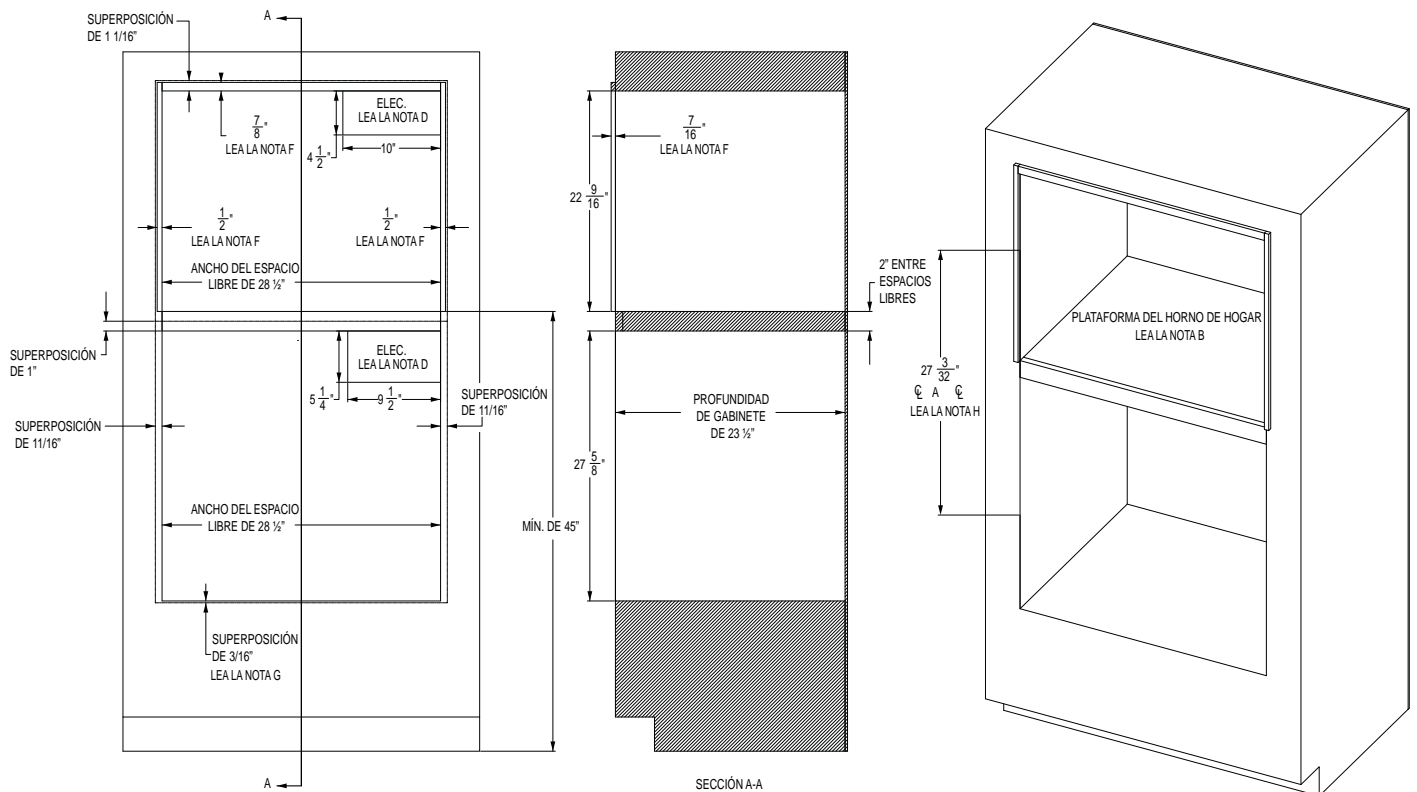




# Instalaciones

## 1 E HORNO DE HOGAR SOBRE HORNO DE PARED – INSTALACIÓN ESTÁNDAR CON PLATAFORMA INTERMEDIA DE 2”

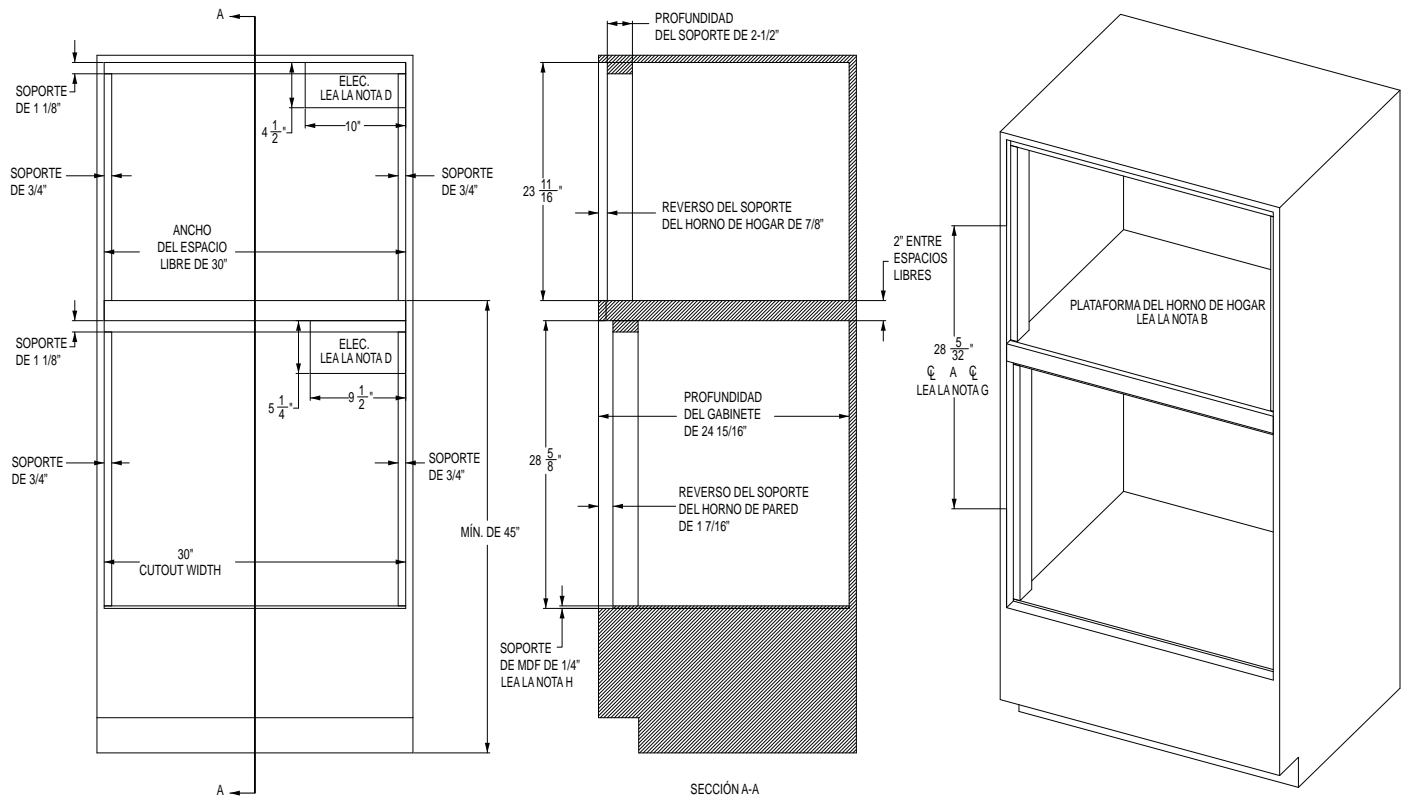
- A** 45” es la altura de instalación mínima requerida. El horno podrá ser instalado más arriba, dependiendo de la preferencia del propietario.
- B** La Plataforma del Horno de Hogar deberá poder soportar 200 libras (91 kg.).
- C** Se requiere un cerramiento sólido en las partes superior, inferior, izquierda, derecha y trasera. La superficie trasera podrá ser de yeso. Se recomienda el uso de técnicas de fabricación y ensamble avanzadas, a fin de asegurar un grado preciso de nivelación y paralelismo de los gabinetes.
- D** Ubicación de la caja de empalmes: será estar nivelado con la superficie trasera de modo que no se extienda sobre la profundidad del gabinete de 23-1/2 pulgadas. La caja de empalmes podrá estar ubicada en un gabinete adyacente.
- E** Se recomienda el uso de un perfil de 1/8” MÁS ALLÁ de las dimensiones de SUPERPOSICIÓN, a fin de contar con un espacio libre para el desplazamiento del cajón y la puerta.
- F** Se podrán agregar soportes exteriores sobre los laterales y la parte superior de la abertura del Horno de Hogar, a fin de poder alinear la superficie frontal del Horno de Hogar con la superficie frontal del horno de pared que se encuentra debajo. El acabado será acorde con los requisitos del cliente. Un acabado negro liso podrá combinar mejor con el aspecto lateral del horno que se encuentra debajo.
- G** Para el HORNO DE PARED INFERIOR, se recomienda un MARCO CON VENTILACIÓN INFERIOR de aluminio extrudido. Los modelos de horno de pared que comienzan con “ZTSX” ya incluyen el marco de ventilación de aluminio. Para los modelos que comienzan con “ZTS”, se deberá ordenar el kit del marco de ventilación ZX30VT1, que incluye el marco de ventilación de aluminio y las herramientas de montaje. De forma alternativa, el marco de acero inoxidable suministrado con todos los modelos se podrá usar para esta configuración de gabinetes. Asegúrese de ajustar la dimensión de “superposición” asociada con el marco de acero inoxidable. Antes cualquier duda, por favor comuníquese al 1-800-626-2000.
- H** La dimensión de la línea central de abertura se toma sobre la ABERTURA FRONTAL de cada cerramiento.



# Instalaciones

## 1 F HORNO DE HOGAR SOBRE HORNO DE PARED – INSTALACIÓN CON MONTAJE AL RAS CON PLATAFORMA INTERMEDIA DE 2”

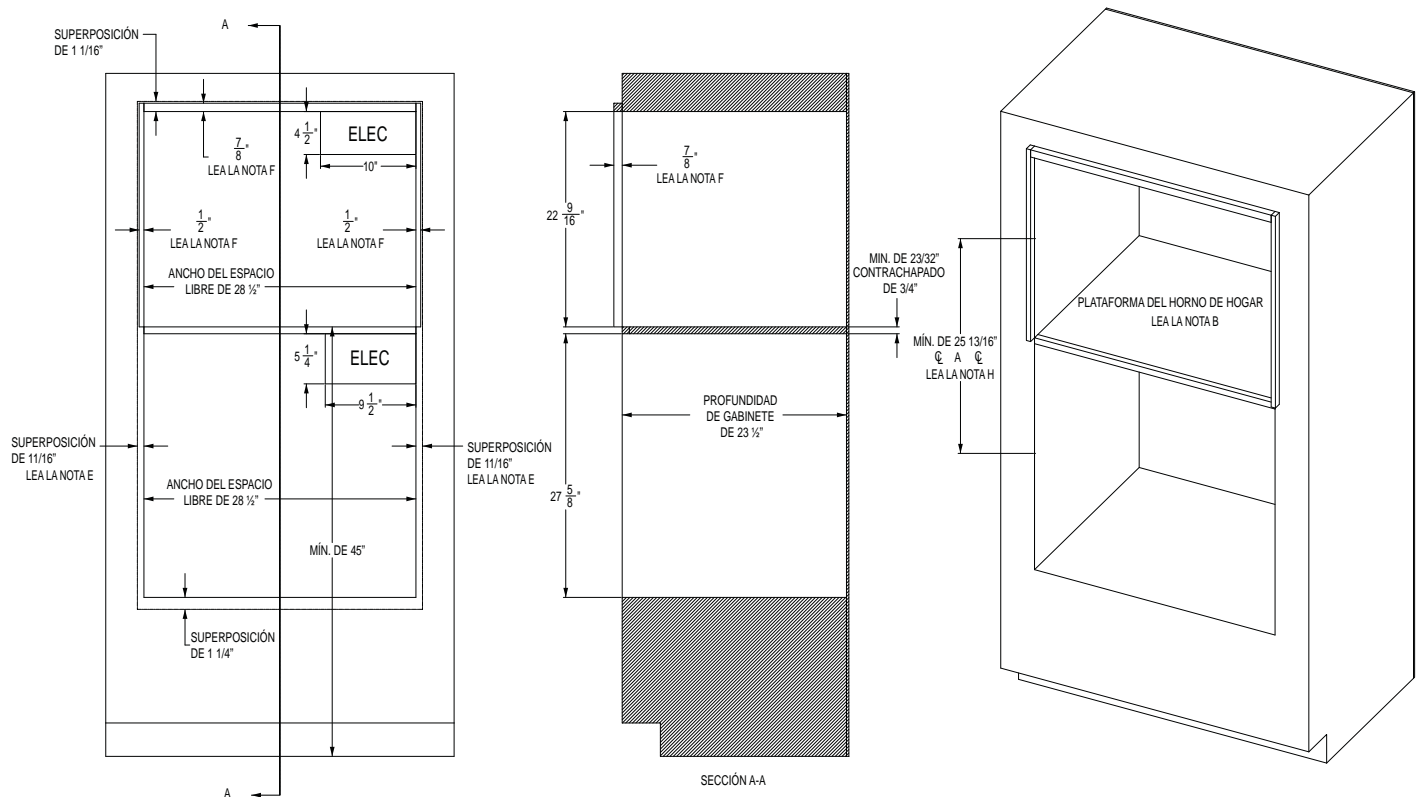
- A** 45” es la altura de instalación mínima requerida. El horno podrá ser instalado más arriba, dependiendo de la preferencia del propietario.
- B** La Plataforma del Horno de Hogar deberá poder soportar 200 libras (91 kg.).
- C** Se requiere un cerramiento sólido en las partes superior, inferior, izquierda, derecha y trasera. La superficie trasera podrá ser de yeso. Se recomienda el uso de técnicas de fabricación y ensamble avanzadas, a fin de asegurar un grado preciso de nivelación y paralelismo de los gabinetes.
- D** Ubicación de la caja de empalmes: Deberá estar nivelado con la superficie trasera de modo que no se extienda sobre la profundidad del gabinete de 24-15/16 pulgadas. La caja de empalmes podrá estar ubicada en un gabinete adyacente.
- E** La base frontal de los soportes interiores deberán poseer un acabado de su superficie.
- F** El Horno de Pared REQUIERE un MARCO DE VENTILACIÓN INFERIOR de aluminio extrudido. Los modelos de horno de pared que comienzan con “ZTSX” ya incluyen el marco de ventilación de aluminio. Para los modelos que comienzan con “ZTS”, se deberá ordenar el kit del marco de ventilación ZX30VT1, que incluye el marco de ventilación de aluminio y las herramientas de montaje. De forma alternativa, el marco de acero inoxidable suministrado con todos los modelos se podrá usar para esta configuración de gabinetes. Asegúrese de ajustar la dimensión de “superposición” asociada con el marco de acero inoxidable. Antes cualquier duda, por favor comuníquese al 1-800-626-2000
- G** La dimensión de la línea central de abertura se toma sobre la ABERTURA FRONTAL de cada cerramiento.
- H** El soporte de la superficie inferior del Horno de Pared deberá poseer una tabla de fibra de MDF de un grosor de 1/4” o equivalente.



# Instalaciones

## 1 G HORNO DE HOGAR SOBRE HORNO DE PARED CON PUERTA FRANCESA – INSTALACIÓN ESTÁNDAR CON ESPACIO LIBRE INTERMEDIO MÍNIMO

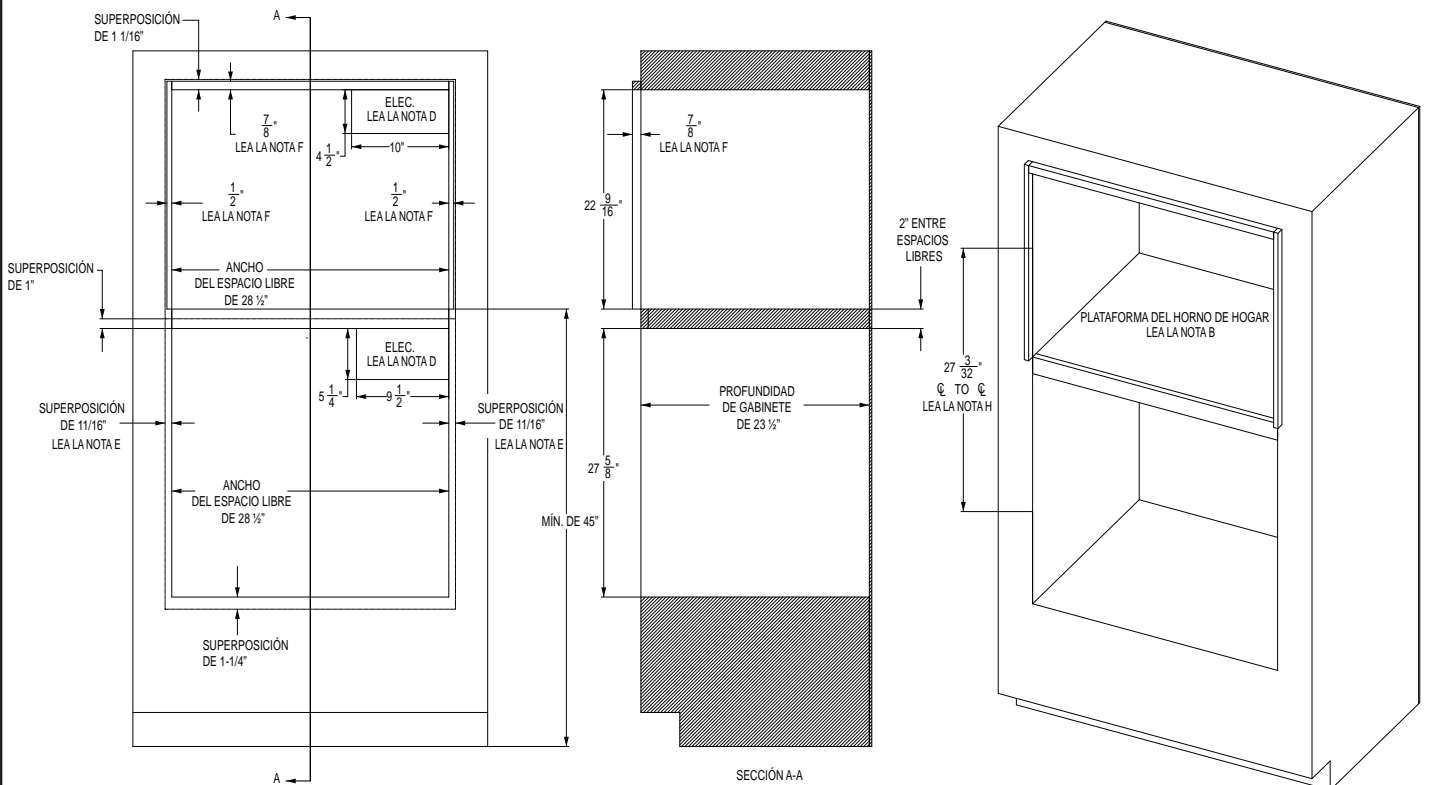
- A** 45" es la altura de instalación mínima requerida. El horno podrá ser instalado más arriba, dependiendo de la preferencia del propietario.
- B** La Plataforma del Horno de Hogar deberá poder soportar 200 libras (91 kg.).
- C** Se requiere un cerramiento sólido en las partes superior, inferior, izquierda, derecha y trasera. La superficie trasera podrá ser de yeso. Se recomienda el uso de técnicas de fabricación y ensamble avanzadas, a fin de asegurar un grado preciso de nivelación y paralelismo de los gabinetes.
- D** Ubicación de la caja de empalmes: Deberá estar nivelado con la superficie trasera de modo que no se extienda sobre la profundidad del gabinete de 23-1/2 pulgadas. La caja de empalmes podrá estar ubicada en un gabinete adyacente.
- E** Se recomienda el uso de un perfil de 1/8" MÁS ALLÁ de las dimensiones de SUPERPOSICIÓN, a fin de contar con un espacio libre para el desplazamiento del cajón y la puerta. Para el HORNO DE PARED CON PUERTA FRANCESA Inferior, por favor consulte las restricciones de apertura de puerta asociadas con encimeras, paredes y frente de gabinetes cercanos, a fin de ajustar las superposiciones.
- F** Se podrán agregar soportes exteriores sobre los laterales y la parte superior de la abertura del Horno de Hogar, a fin de poder alinear la superficie frontal del Horno de Hogar con la superficie frontal del horno de pared que se encuentra debajo. El acabado será acorde con los requisitos del cliente. Un acabado negro liso podrá combinar mejor con el aspecto lateral del horno que se encuentra debajo.
- G** Para el HORNO DE PARED CON PUERTA FRANCESA, el MARCO INFERIOR de acero inoxidable suministrado con la unidad es la única opción.
- H** La dimensión de la línea central de abertura se toma sobre la ABERTURA FRONTAL de cada cerramiento.



# Instalaciones

## 1 H HORNO DE HOGAR SOBRE HORNO DE PARED CON PUERTA FRANCESA – INSTALACIÓN ESTÁNDAR CON PLATAFORMA INTERMEDIA DE 2”

- A** 45” es la altura de instalación mínima requerida. El horno podrá ser instalado más arriba, dependiendo de la preferencia del propietario.
- B** La Plataforma del Horno de Hogar deberá poder soportar 200 libras (91 kg.).
- C** Se requiere un cerramiento sólido en las partes superior, inferior, izquierda, derecha y trasera. La superficie trasera podrá ser de yeso. Se recomienda el uso de técnicas de fabricación y ensamble avanzadas, a fin de asegurar un grado preciso de nivelación y paralelismo de los gabinetes.
- D** Ubicación de la caja de empalmes: Deberá estar nivelado con la superficie trasera de modo que no se extienda sobre la profundidad del gabinete de 23-1/2 pulgadas. La caja de empalmes podrá estar ubicada en un gabinete adyacente.
- E** Se recomienda el uso de un perfil de 1/8” MÁS ALLÁ de las dimensiones de SUPERPOSICIÓN, a fin de contar con un espacio libre para el desplazamiento del cajón y la puerta. Para el HORNO DE PARED CON PUERTA FRANCESA Inferior, por favor consulte las restricciones de apertura de puerta asociadas con encimeras, paredes y frentes de gabinetes cercanos, a fin de ajustar las superposiciones.
- F** Se podrán agregar soportes exteriores sobre los laterales y la parte superior de la abertura del Horno de Hogar, a fin de poder alinear la superficie frontal del Horno de Hogar con la superficie frontal del horno de pared que se encuentra debajo. El acabado será acorde con los requisitos del cliente. Un acabado negro liso podrá combinar mejor con el aspecto lateral del horno que se encuentra debajo.
- G** Para el HORNO DE PARED CON PUERTA FRANCESA, el MARCO INFERIOR de acero inoxidable suministrado con la unidad es la única opción.
- H** La dimensión de la línea central de abertura se toma sobre la ABERTURA FRONTAL de cada cerramiento.

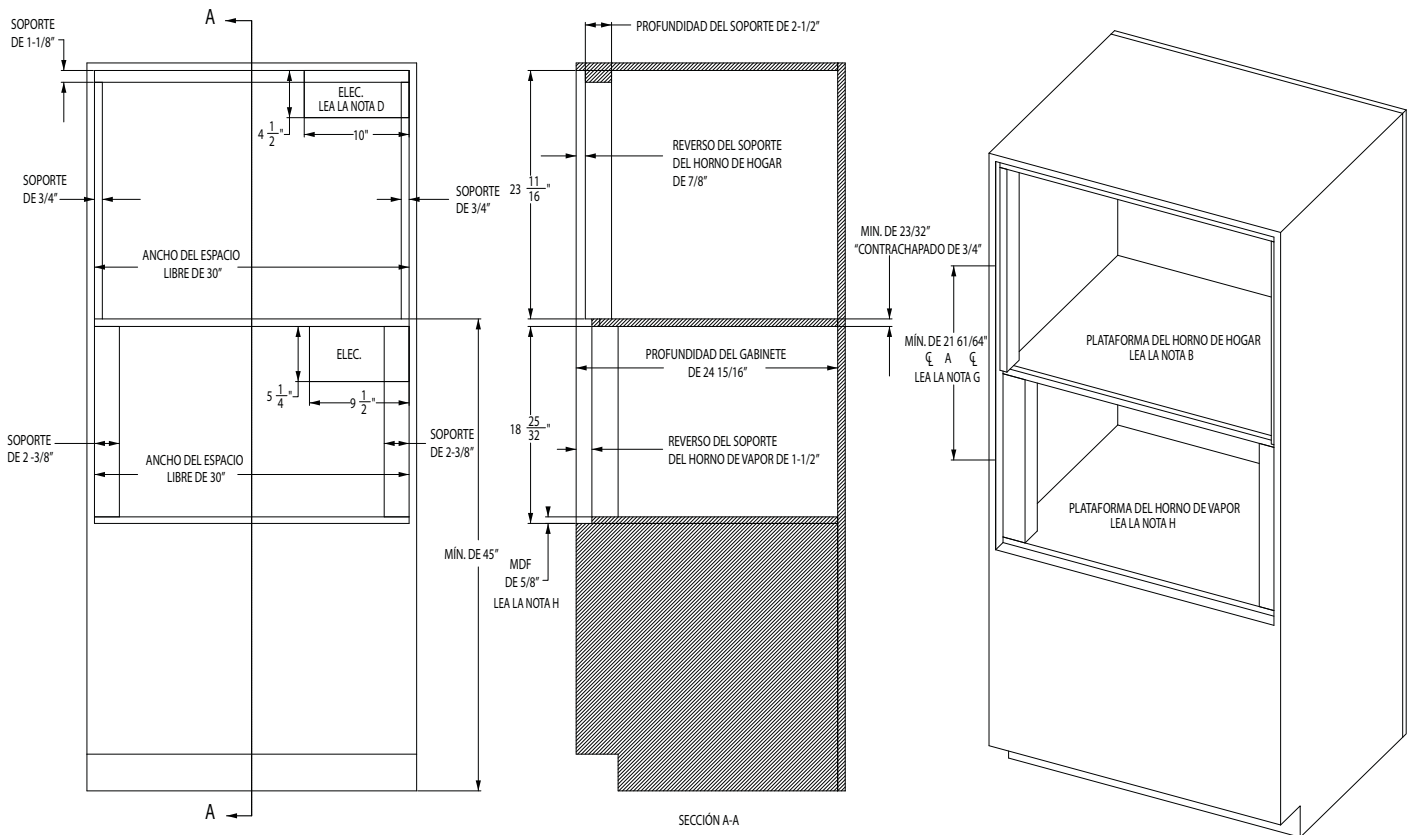




# Instalaciones

## 1 J HORNO DE HOGAR SOBRE HORNO DE VAPOR – INSTALACIÓN CON MONTAJE AL RAS CON ESPACIO LIBRE INTERMEDIO MÍNIMO

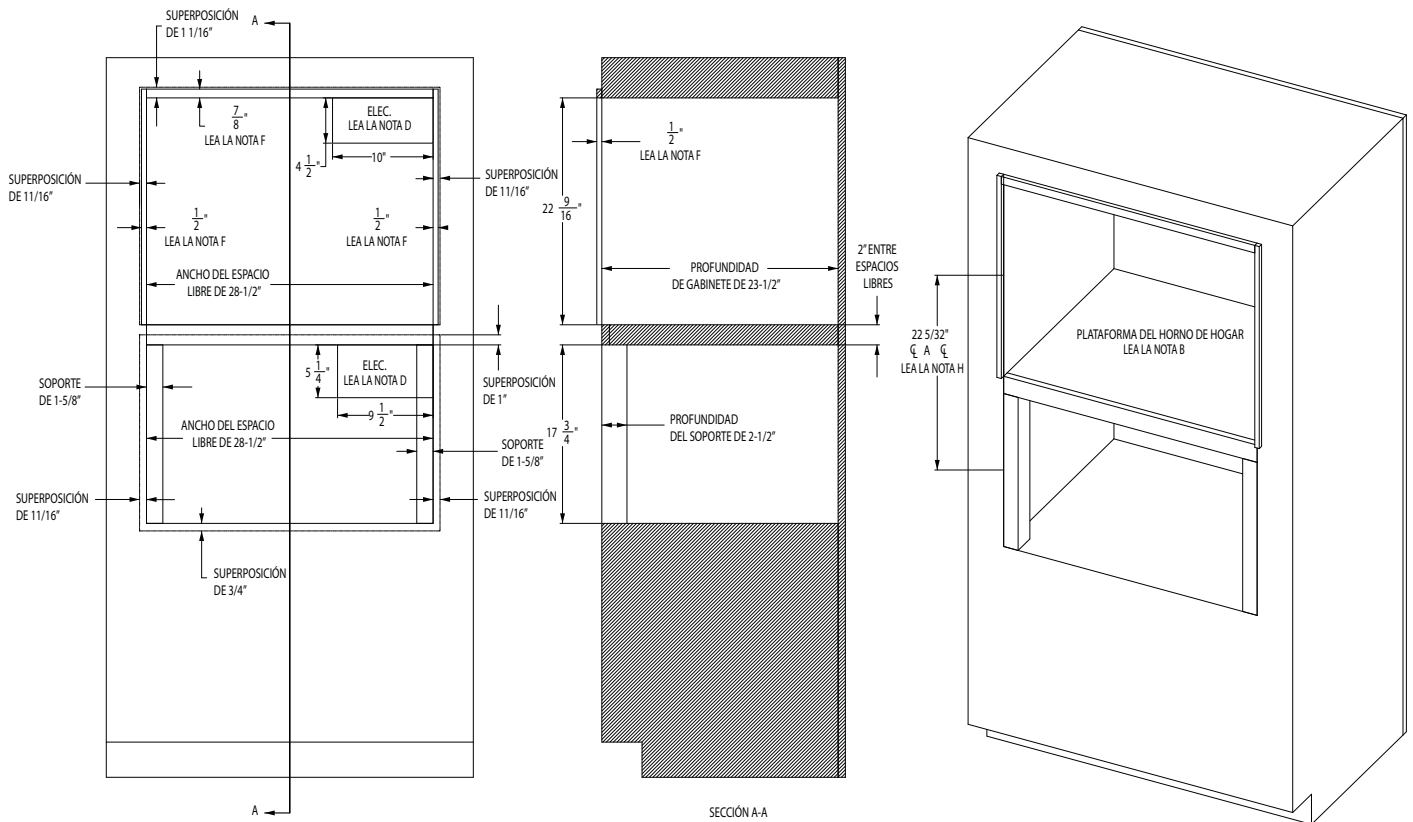
- A** 45" es la altura de instalación mínima requerida. El horno podrá ser instalado más arriba, dependiendo de la preferencia del propietario.
- B** La Plataforma del Horno de Hogar deberá poder soportar 200 libras (91 kg.). Para esta instalación, se recomienda enfáticamente bloquear la plataforma dentro de las paredes laterales, usando uniones de carpintería tipo Dado. También se recomienda el uso de sujetadores y pegamento para madera, a fin de reforzar aún más las uniones de carpintería. La veta de la madera de la plataforma se deberá orientar de izquierda a derecha. El borde frontal de la plataforma deberá poseer una superficie con acabado. Para consultar sobre conceptos de uniones, lea las ilustraciones 1Q y 1R.
- C** Se requiere un cerramiento sólido en las partes superior, inferior, izquierda, derecha y trasera. La superficie trasera podrá ser de yeso. Se recomienda el uso de técnicas de fabricación y ensamble avanzadas, a fin de asegurar un grado preciso de nivelación y paralelismo de los gabinetes.
- D** Ubicación de la caja de empalmes: Deberá estar nivelado con la superficie trasera de modo que no se extienda sobre la profundidad del gabinete de 24-15/16 pulgadas. La caja de empalmes podrá estar ubicada en un gabinete adyacente.
- E** La base frontal de los soportes interiores deberán poseer un acabado de su superficie.
- F** Se podrá instalar un KIT DE MARCOS INFERIOR opcional con un cambio de altura para la ABERTURA DEL ESPACIO LIBRE Y SOPORTE INFERIOR. El kit de marcos ZXSTEAM1 se podrá usar con una altura de ABERTURA DEL ESPACIO LIBRE de 19 25/32" y una altura del SOPORTE INFERIOR de 1 5/8". Ante cualquier duda, por favor comuníquese al 1-800-626-2000.
- G** La dimensión de la línea central de abertura se toma sobre la ABERTURA FRONTAL de cada cerramiento.
- H** El soporte de la superficie inferior del Horno de Vapor deberá poseer una tabla de fibra de MDF de un grosor de 5/8" o equivalente.



# Instalaciones

## 1 K HORNO DE HOGAR SOBRE HORNO DE VAPOR – INSTALACIÓN ESTÁNDAR CON PLATAFORMA INTERMEDIA DE 2”

- A** 45” es la altura de instalación mínima requerida. El horno podrá ser instalado más arriba, dependiendo de la preferencia del propietario.
- B** La Plataforma del Horno de Hogar deberá poder soportar 200 libras (91 kg.).
- C** Se requiere un cerramiento sólido en las partes superior, inferior, izquierda, derecha y trasera. La superficie trasera podrá ser de yeso. Se recomienda el uso de técnicas de fabricación y ensamble avanzadas, a fin de asegurar un grado preciso de nivelación y paralelismo de los gabinetes.
- D** Ubicación de la caja de empalmes: Deberá estar nivelado con la superficie trasera de modo que no se extienda sobre la profundidad del gabinete de 23-1/2 pulgadas. La caja de empalmes podrá estar ubicada en un gabinete adyacente.
- E** Se recomienda el uso de un perfil de 1/8” MÁS ALLÁ de las dimensiones de SUPERPOSICIÓN, a fin de contar con un espacio libre para el desplazamiento del cajón y la puerta.
- F** Se podrán agregar soportes exteriores sobre los laterales y la parte superior de la abertura del Horno de Hogar, a fin de poder alinear la superficie frontal del Horno de Hogar con la superficie frontal del horno de pared que se encuentra debajo. El acabado será acorde con los requisitos del cliente. Un acabado negro liso podrá combinar mejor con el aspecto lateral del horno que se encuentra debajo.
- G** La opción de un MARCO DE VENTILACIÓN INFERIOR NO está disponible para esta configuración de gabinetes.
- H** La dimensión de la línea central de abertura se toma sobre la ABERTURA FRONTAL de cada cerramiento.

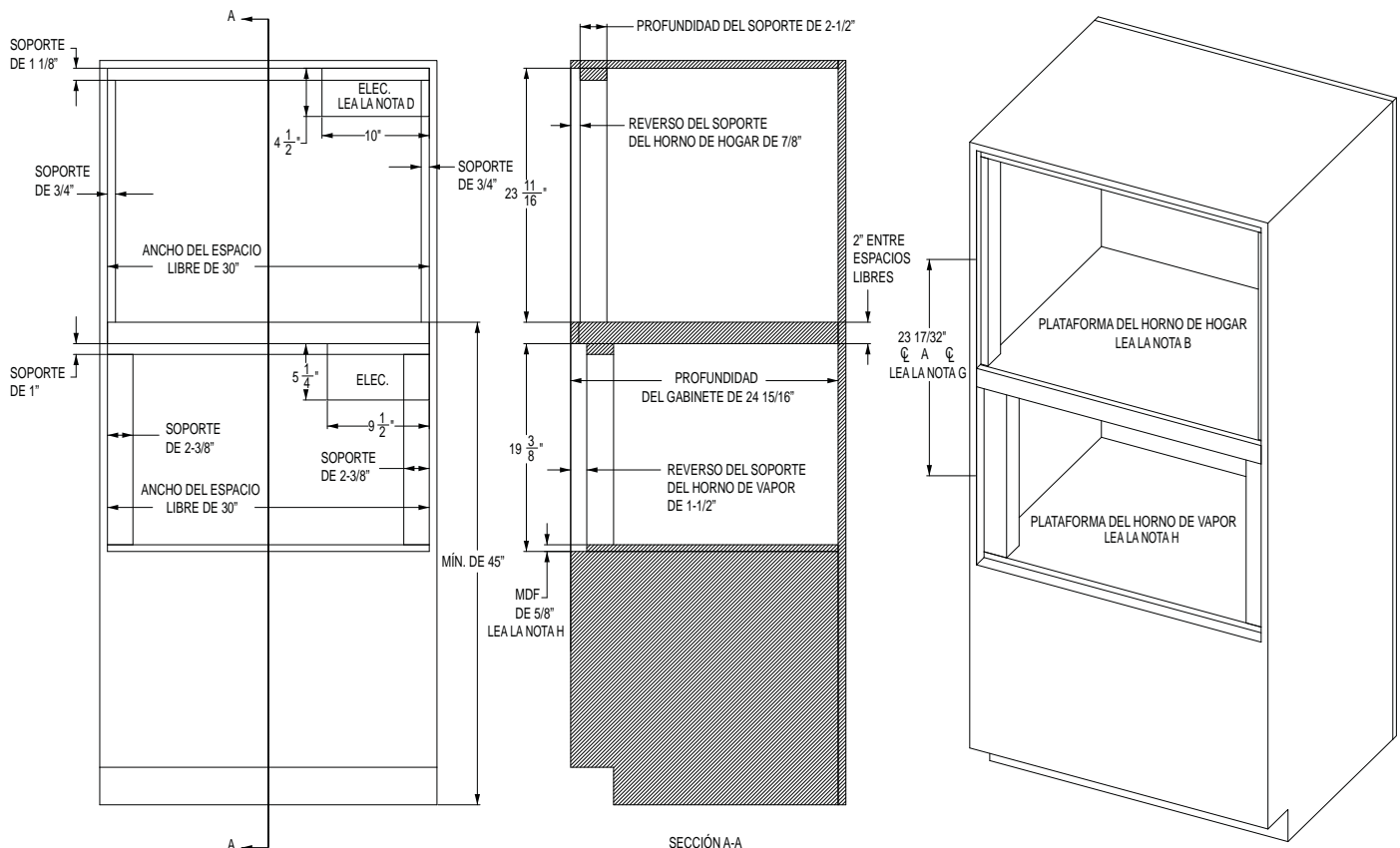




# Instalaciones

## 1 L HORNO DE HOGAR SOBRE HORNO DE VAPOR – INSTALACIÓN CON MONTAJE AL RAS CON PLATAFORMA INTERMEDIA DE 2”

- A** 45” es la altura de instalación mínima requerida. El horno podrá ser instalado más arriba, dependiendo de la preferencia del propietario.
- B** La Plataforma del Horno de Hogar deberá poder soportar 200 libras (91 kg.).
- C** Se requiere un cerramiento sólido en las partes superior, inferior, izquierda, derecha y trasera. La superficie trasera podrá ser de yeso. Se recomienda el uso de técnicas de fabricación y ensamble avanzadas, a fin de asegurar un grado preciso de nivelación y paralelismo de los gabinetes.
- D** Ubicación de la caja de empalmes: Deberá estar nivelado con la superficie trasera de modo que no se extienda sobre la profundidad del gabinete de 24-15/16 pulgadas. La caja de empalmes podrá estar ubicada en un gabinete adyacente.
- E** La base frontal de los soportes interiores deberán poseer un acabado de su superficie.
- F** Se podrá instalar un KIT DE MARCOS INFERIOR opcional con un cambio de altura para la ABERTURA DEL ESPACIO LIBRE Y SOPORTE INFERIOR. El kit de marcos ZXSTEAM1 se podrá usar con una altura de ABERTURA DEL ESPACIO LIBRE de 20-3/8” y una altura del SOPORTE INFERIOR de 1 5/8”. Ante cualquier duda, por favor comuníquese al 1-800-626-2000.
- G** La dimensión de la línea central de abertura se toma sobre la ABERTURA FRONTAL de cada cerramiento.
- H** El soporte de la superficie inferior del Horno de Vapor deberá poseer una tabla de fibra de MDF de un grosor de 5/8” o equivalente.

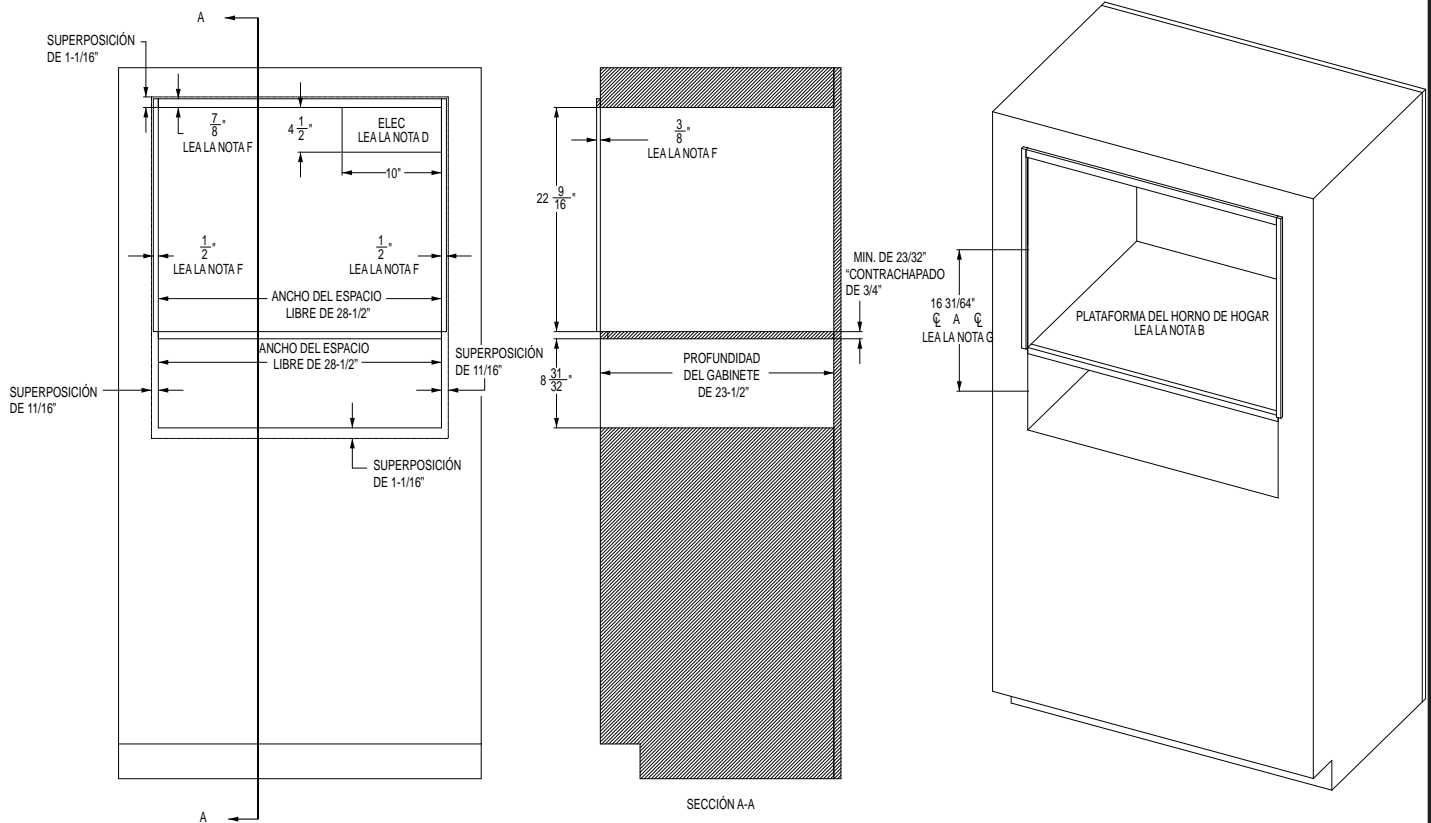




# Instalaciones

## 1 M HORNO DE HOGAR SOBRE CAJÓN PARA CALENTAR – INSTALACIÓN ESTÁNDAR CON ESPACIO LIBRE INTERMEDIO MÍNIMO

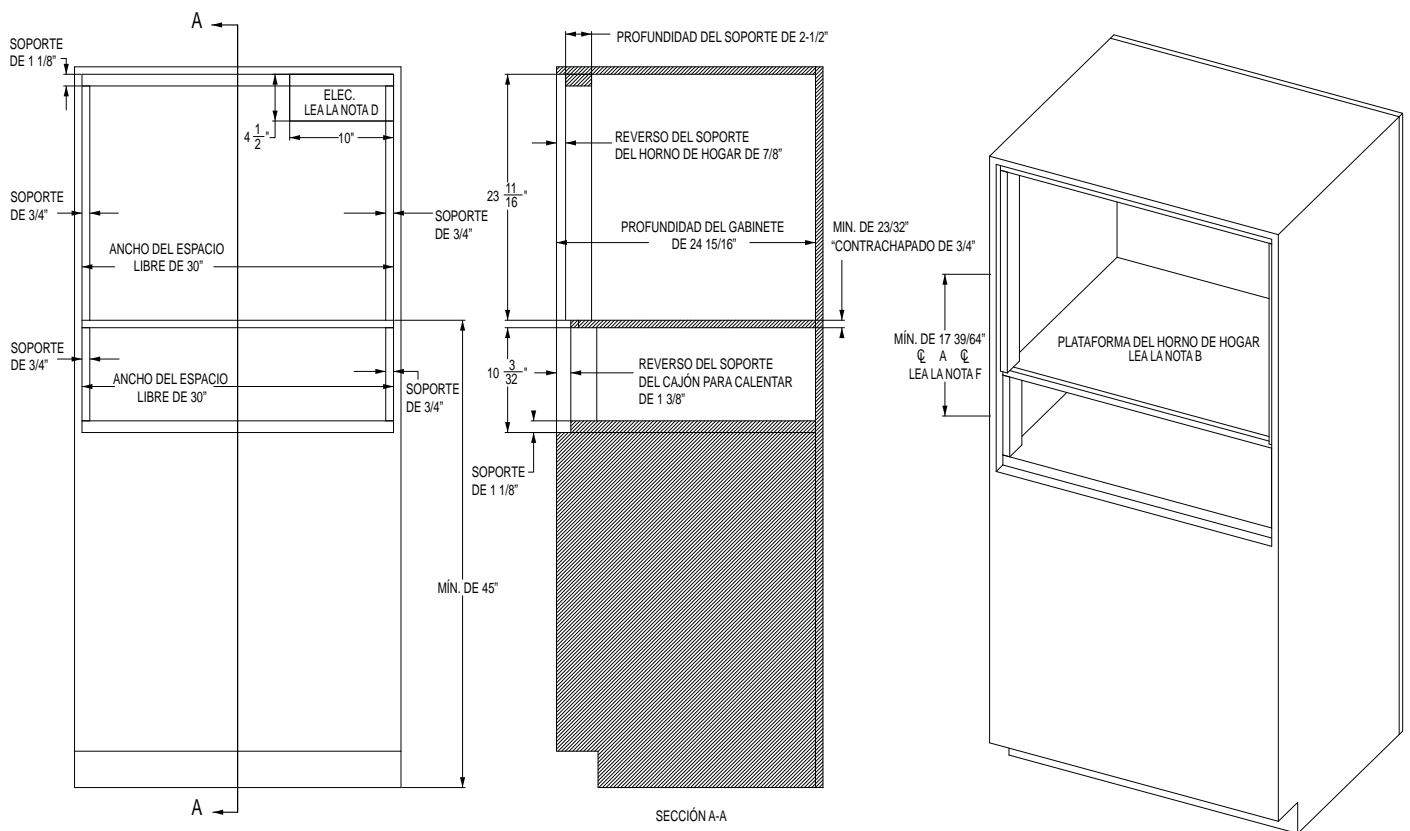
- A** 45" es la altura de instalación mínima requerida. El horno podrá ser instalado más arriba, dependiendo de la preferencia del propietario.
- B** La Plataforma del Horno de Hogar deberá poder soportar 200 libras (91 kg.). Para esta instalación, se recomienda enfáticamente bloquear la plataforma dentro de las paredes laterales, usando uniones de carpintería tipo Dado. También se recomienda el uso de sujetadores y pegamento para madera, a fin de reforzar aún más las uniones de carpintería. La veta de la madera de la plataforma se deberá orientar de izquierda a derecha. El borde frontal de la plataforma deberá poseer una superficie con acabado. Para consultar sobre conceptos de uniones, lea las ilustraciones 1Q y 1R.
- C** Se requiere un cerramiento sólido en las partes superior, inferior, izquierda, derecha y trasera. La superficie trasera podrá ser de yeso. Se recomienda el uso de técnicas de fabricación y ensamble avanzadas, a fin de asegurar un grado preciso de nivelación y paralelismo de los gabinetes.
- D** Ubicación de la caja de empalmes: Deberá estar nivelado con la superficie trasera de modo que no se extienda sobre la profundidad del gabinete de 23-1/2 pulgadas. La caja de empalmes podrá estar ubicada en un gabinete adyacente.
- E** Se recomienda el uso de un perfil de 1/8" MÁS ALLÁ de las dimensiones de SUPERPOSICIÓN, a fin de contar con un espacio libre para el desplazamiento del cajón y la puerta.
- F** Se podrán agregar soportes exteriores sobre los laterales y la parte superior de la abertura del Horno de Hogar, a fin de poder alinear la superficie frontal del Horno de Hogar con la superficie frontal del horno de pared que se encuentra debajo. El acabado será acorde con los requisitos del cliente. Un acabado negro liso podrá combinar mejor con el aspecto lateral del horno que se encuentra debajo.
- G** La dimensión de la línea central de abertura se toma sobre la ABERTURA FRONTAL de cada cerramiento.



# Instalaciones

## 1 N HORNO DE HOGAR SOBRE CAJÓN PARA CALENTAR – INSTALACIÓN CON MONTAJE AL RAS CON ESPACIO LIBRE INTERMEDIO MÍNIMO

- A** 45" es la altura de instalación mínima requerida. El horno podrá ser instalado más arriba, dependiendo de la preferencia del propietario.
- B** La Plataforma del Horno de Hogar deberá poder soportar 200 libras (91 kg.). Para esta instalación, se recomienda enfáticamente bloquear la plataforma dentro de las paredes laterales, usando uniones de carpintería tipo Dado. También se recomienda el uso de sujetadores y pegamento para madera, a fin de reforzar aún más las uniones de carpintería. La veta de la madera de la plataforma se deberá orientar de izquierda a derecha. El borde frontal de la plataforma deberá poseer una superficie con acabado. Para consultar sobre conceptos de uniones, lea las ilustraciones 1Q y 1R.
- C** Se requiere un cerramiento sólido en las partes superior, inferior, izquierda, derecha y trasera. La superficie trasera podrá ser de yeso. Se recomienda el uso de técnicas de fabricación y ensamble avanzadas, a fin de asegurar un grado preciso de nivelación y paralelismo de los gabinetes.
- D** Ubicación de la caja de empalmes: Deberá estar nivelado con la superficie trasera de modo que no se extienda sobre la profundidad del gabinete de 24-15/16 pulgadas. La caja de empalmes podrá estar ubicada en un gabinete adyacente.
- E** La base frontal de los soportes interiores deberán poseer un acabado de su superficie.
- F** La dimensión de la línea central de abertura se toma sobre la ABERTURA FRONTAL de cada cerramiento.

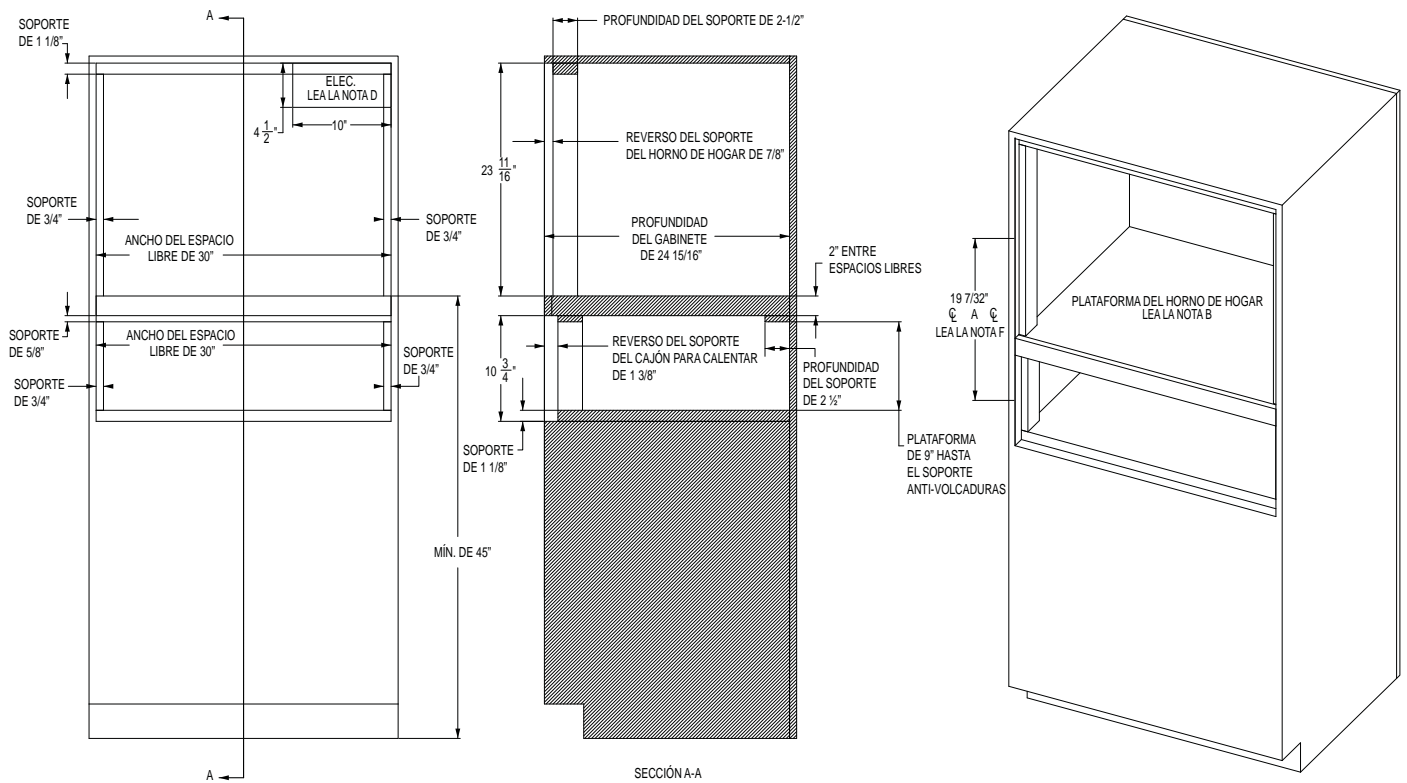




# Instalaciones

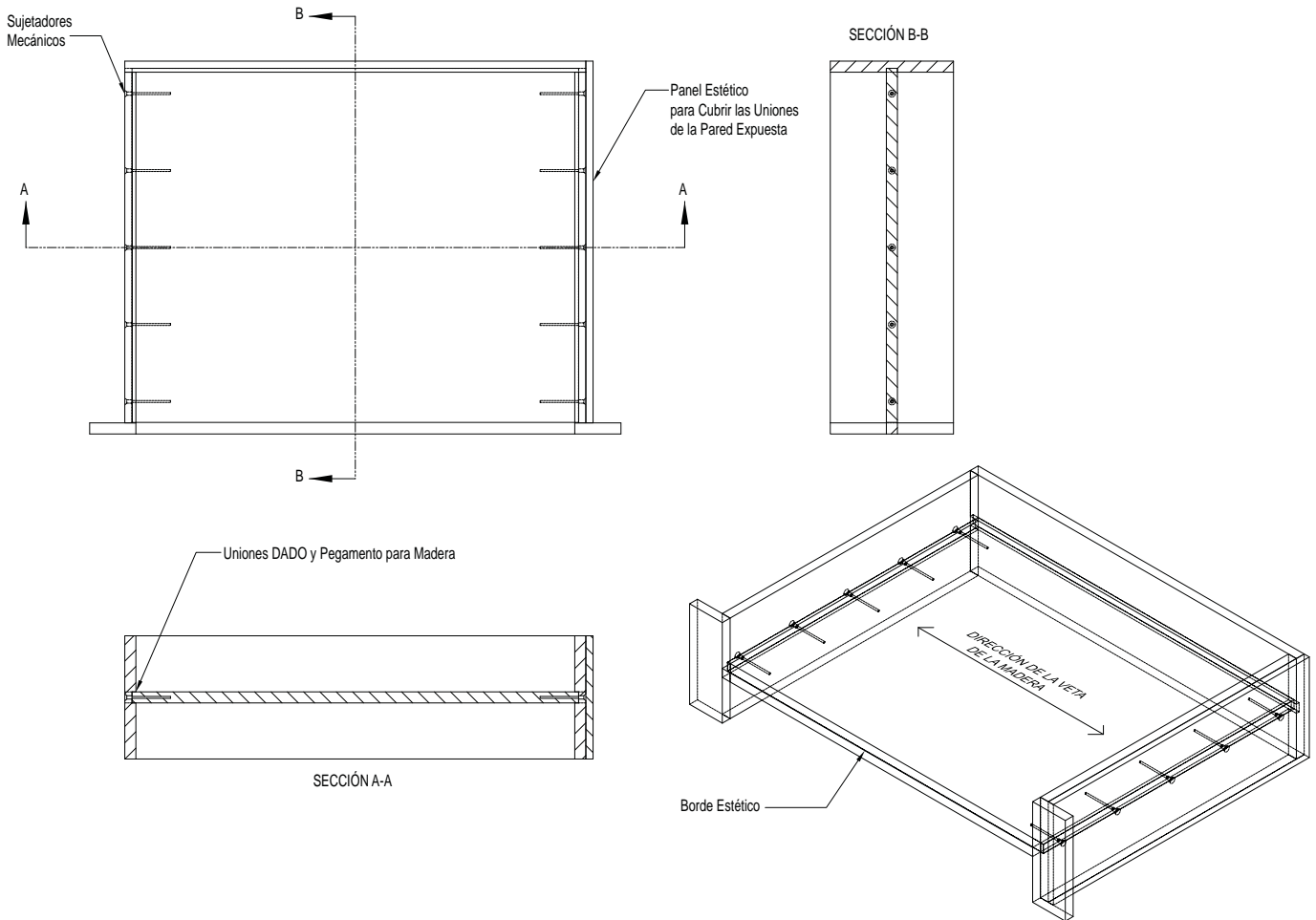
## 1 P HORNO DE HOGAR SOBRE CAJÓN PARA CALENTAR – INSTALACIÓN CON MONTAJE AL RAS CON PLATAFORMA INTERMEDIA DE 2”

- A** 45” es la altura de instalación mínima requerida. El horno podrá ser instalado más arriba, dependiendo de la preferencia del propietario.
- B** La Plataforma del Horno de Hogar deberá poder soportar 200 libras (91 kg.).
- C** Se requiere un cerramiento sólido en las partes superior, inferior, izquierda, derecha y trasera. La superficie trasera podrá ser de yeso. Se recomienda el uso de técnicas de fabricación y ensamble avanzadas, a fin de asegurar un grado preciso de nivelación y paralelismo de los gabinetes.
- D** Ubicación de la caja de empalmes: Deberá estar nivelado con la superficie trasera de modo que no se extienda sobre la profundidad del gabinete de 24-15/16 pulgadas. La caja de empalmes podrá estar ubicada en un gabinete adyacente.
- E** La base frontal de los soportes interiores deberán poseer un acabado de su superficie.
- F** La dimensión de la línea central de abertura se toma sobre la ABERTURA FRONTAL de cada cerramiento.



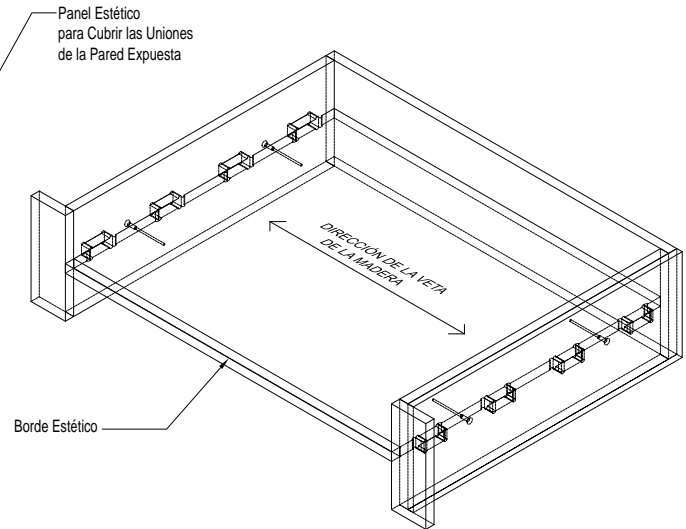
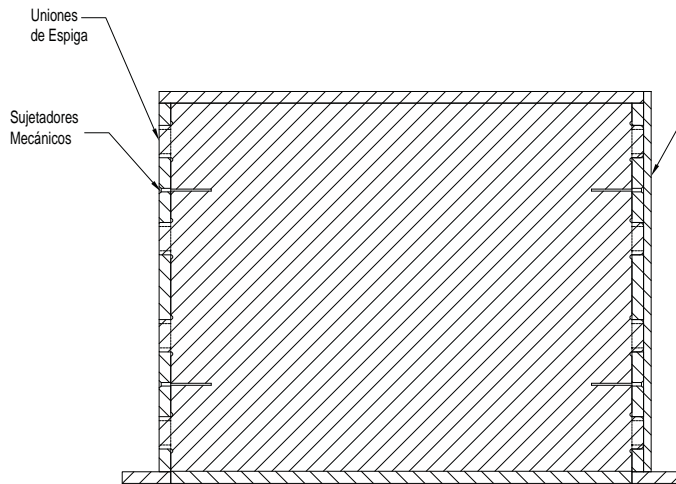
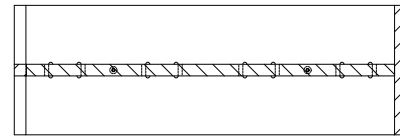
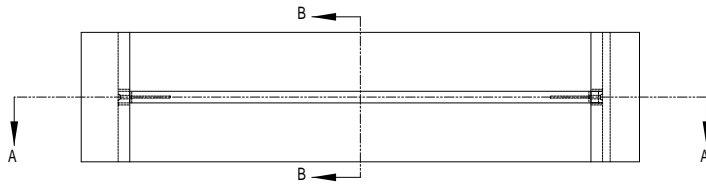
# Instalaciones

## 1 Q PLATAFORMA DE HORNO DE HOGAR PARA UN ESPACIO LIBRE MÍNIMO ENTRE ELECTRODOMÉSTICOS: CONCEPTO DADO Y SUJETADOR MECÁNICO



# Instalaciones

## 1 R PLATAFORMA DE HORNO DE HOGAR PARA UN ESPACIO LIBRE MÍNIMO ENTRE ELECTRODOMÉSTICOS: CONCEPTO DE ESPIGA Y SUJETADOR MECÁNICO



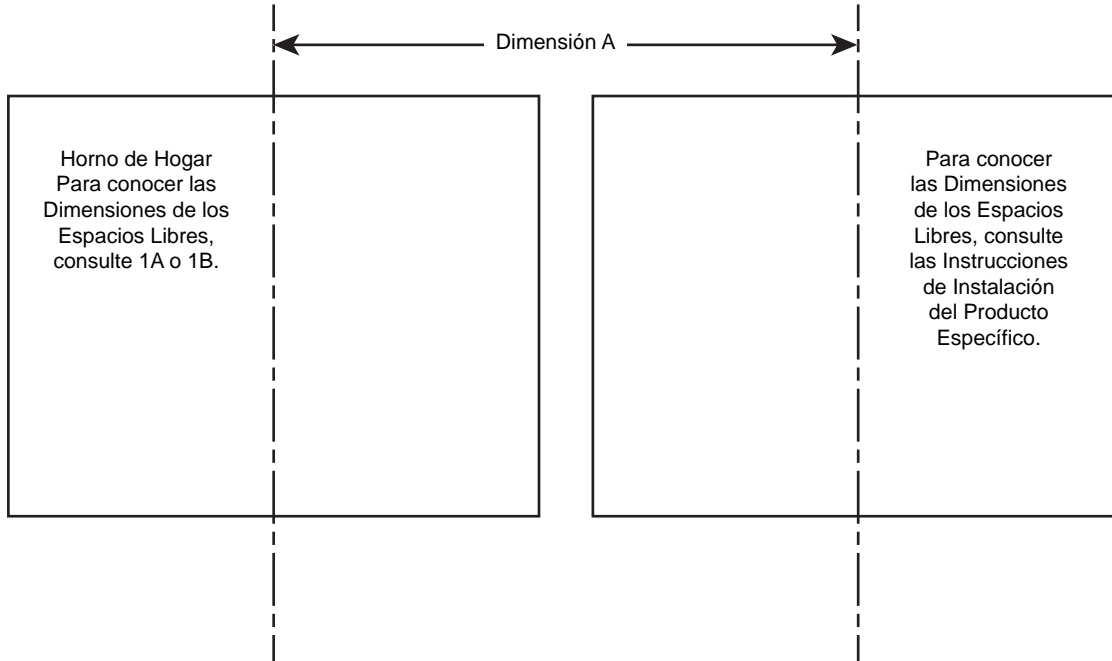
# Instalaciones

## 1 S INSTALACIÓN DEL COMBO DE LADO A LADO

Para acceder a un listado de productos compatibles con la Instalación del Horno de Lado a Lado, consulte a través de Internet en [geappliances.com/combinations](http://geappliances.com/combinations).

Por favor, consulte las instrucciones de instalación de ambas unidades para sus respectivas instalaciones.

Para solicitar asistencia en relación al diseño del gabinete, por favor conéctese con un Diseñador de Monogram.



Tipo de Horno	Distancia Mín. – Líneas Centrales de Producto a Producto de la Dimensión A
Horno de Hogar junto al Horno de Pared	30.5"
Horno de Hogar junto al Horno de Vapor	30.5"
Horno de Hogar junto al Horno de Pared con Puerta Francesa	42.5"

# Instalación

## 2 CONEXIONES ELÉCTRICAS

### ATENCIÓN AL INSTALADOR

Todos los hornos eléctricos de pared deben ser cableados directamente en una caja de conexión. Un “enchufe-receptáculo” NO ES permitido en estos productos.

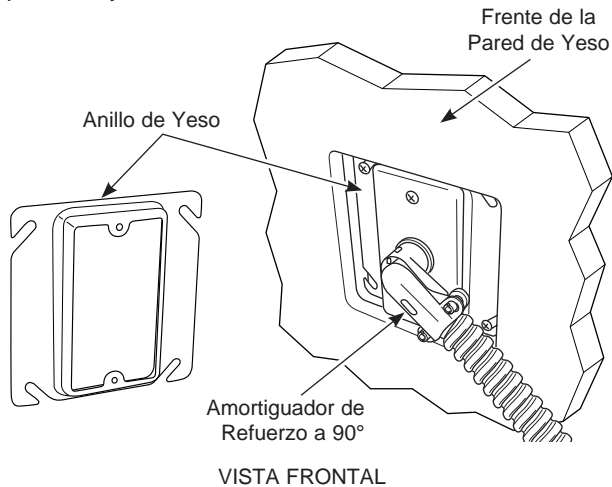
NO acorte el conducto flexible. La abrazadera para controlar la presión debe estar firmemente adherida a la caja de conexión y el conductor flexible debe estar firmemente adherido a la abrazadera. Si el conducto flexible no se ajusta al interior de la abrazadera, no instale el horno hasta que obtenga el tamaño apropiado.

Nota al electricista: Los 3 alambres eléctricos proporcionados con este aparato son reconocidos por la UL para conexiones a cableado residencial de mayor calibre. El aislante de estos 3 alambres supera las especificaciones de temperatura indicadas para cableado residencial. La capacidad actual de conducción del cable depende del calibre del cableado y de la clasificación de la temperatura del aislamiento alrededor del alambre.

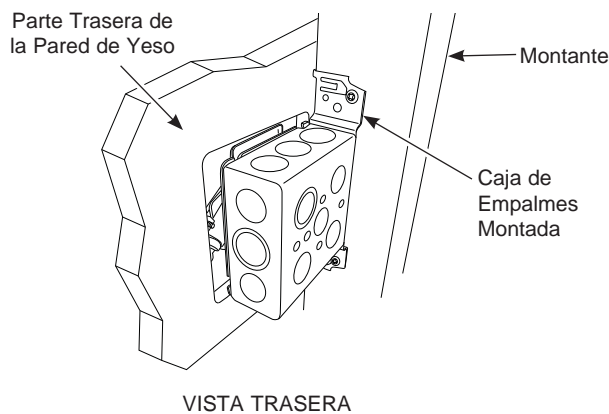
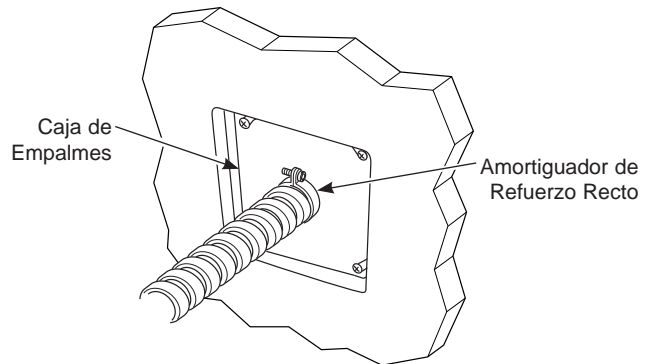
**⚠ ADVERTENCIA** Una conexión inapropiada del cableado de aluminio residencial con cobre, podría resultar en un peligro eléctrico o hasta en incendio. Use solamente conectores diseñados para unir cobre con aluminio y siga las recomendaciones del fabricante con mucho cuidado.

### OPCIONES DE INSTALACIÓN RECOMENDADAS

**Opción 1** - Una caja de empalmes con un anillo de yeso y un amortiguador de refuerzo a 90°, sobre un montante detrás de la pared de yeso.



**Opción 2** - Caja de empalmes estándar con un amortiguador de refuerzo recto, montado sobre una viga detrás del panel de yeso.

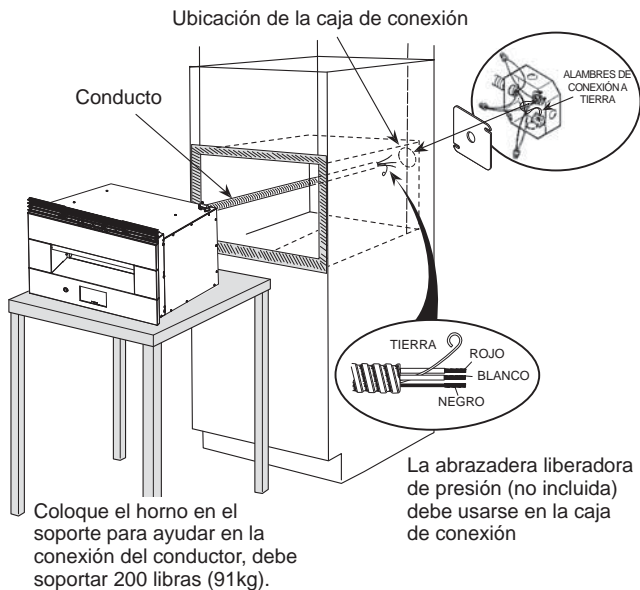




# Instalación

## 2 CONEXIONES ELÉCTRICAS (Cont)

1. Desconecte el interruptor del circuito o retire los fusibles que alimentan el circuito de empalmes del horno.
2. Con el horno enfrente de la abertura del gabinete, sobre una mesa o plataforma conecte el conducto flexible a la caja de conexión como se muestra en la figura. Coloque el conducto de manera que quede apoyado sobre la parte superior del horno en forma de bucle natural cuando se instale el horno. Usted necesitará comprar una abrazadera liberadora de presión para completar la conexión del conducto hacia la caja de conexión.



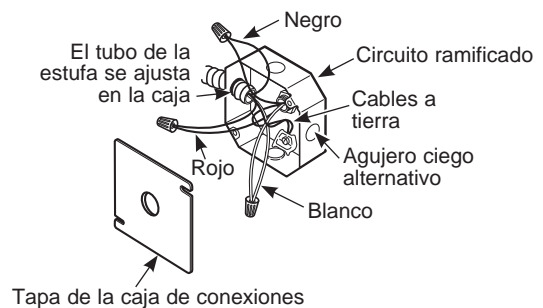
## A CONEXIÓN PARA NUEVA CONSTRUCCIÓN Y DE CIRCUITO DE EMPALMES DE CUATRO CONDUCTORES

- Cuando se instale en una construcción nueva, o
- Cuando se instale en una casa móvil, o
- Al instalar en un vehículo de recreación, o
- Cuando los códigos locales no permitan hacer conexión a tierra a través de un cable neutro:

**NOTA:** Si los cables del hogar poseen conductores de aluminio, ver la ADVERTENCIA en la página 5.

Quando conecte un circuito derivado de cuatro conductores, si lo permiten los códigos locales:

1. Conecte el conductor de conexión a tierra junto con el cable neutro (blanco) al neutro del circuito de empalmes (de color blanco o gris), usando una tuerca para cables.
2. Conecte el cable a tierra del artefacto (verde o cobre) de acuerdo con los códigos locales.



3. Conecte el cable neutral (blanco) del horno con el neutral de circuito derivado (blanco o gris) de acuerdo con códigos locales, utilizando un tapón de alambre.
4. Conecte el cable rojo del horno al cable rojo del circuito derivado y el cable negro del horno al cable negro del circuito derivado de acuerdo con los códigos locales, utilizando tapones de alambre.
5. Instale una abrazadera adecuada de alivio de tensión.
6. Instale la tapa de la caja de conexiones.

# Instalación

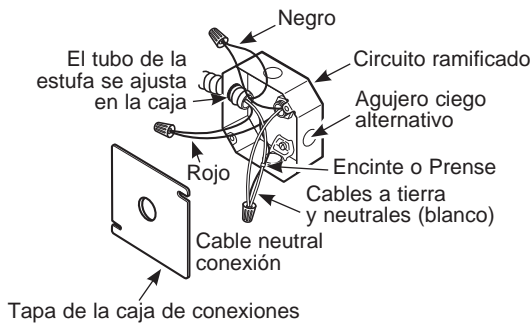
## 2 CONEXIONES ELÉCTRICAS (Cont)

### B CONEXIÓN DE CIRCUITO DE EMPALMES DE TRES CONDUCTORES

**NOTA:** Si los cables domésticos son conductores de aluminio, ver la ADVERTENCIA en la página 5.

Cuando conecte un circuito derivado de tres conductores, si lo permiten los códigos locales:

1. Evite que el conductor neutro (blanco) quede enredado con cualquier otro cable. De ser necesario, corte el conductor neutro (blanco) y luego vuelva a pelar el mismo, a fin de exponer la longitud adecuada del conductor.

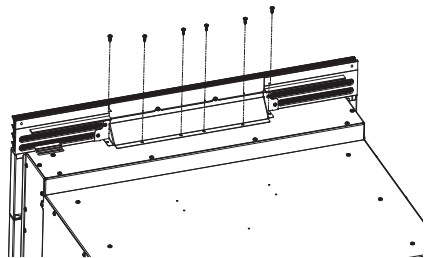


2. Conecte el cable rojo del horno al cable rojo del circuito derivado y el cable negro del horno al cable negro del circuito derivado de acuerdo con los códigos locales, utilizando tapones de alambre.
3. Instale una abrazadera adecuada de alivio de tensión.
4. Instale la tapa de la caja de conexiones.

## 3 INSTALACIÓN DEL HORNO EN EL GABINETE

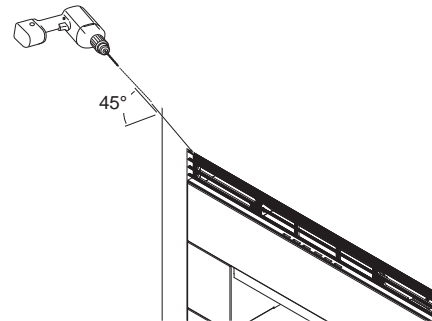
### B CON KIT DE MARCOS

1. Antes de levantar el horno sobre el espacio del gabinete, retire los seis tornillos de la ventilación superior y adhiera la rejilla superior a la parte superior del horno usando los mismos tornillos, como se muestra.

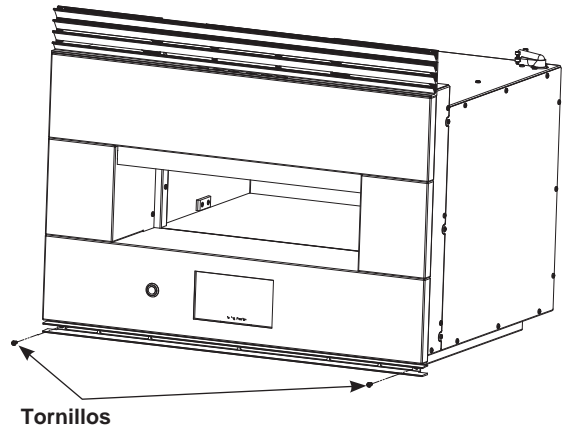


## 3 INSTALACIÓN DEL HORNO EN EL GABINETE

2. Eleve el horno hasta el espacio del gabinete usando la parte inferior como agarre. No lo levante desde la abertura del horno.
3. Con cuidado, deslice la parte trasera del horno dentro del espacio hasta que la rejilla superior toque apenas la cara frontal del gabinete. **NOTA:** No empuje con demasiada fuerza, ya que se podrán producir daños sobre la rejilla superior.
4. Haga agujeros piloto sobre el gabinete para el montaje de la rejilla superior, usando una broca de 3/32" y el agujero del marco como guía. Instale los dos tornillos Phillips de 3/4".



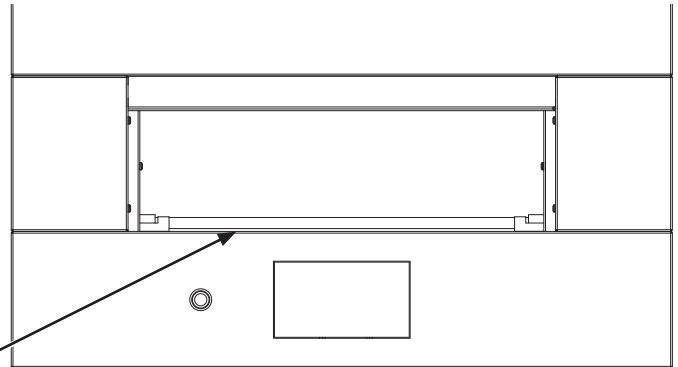
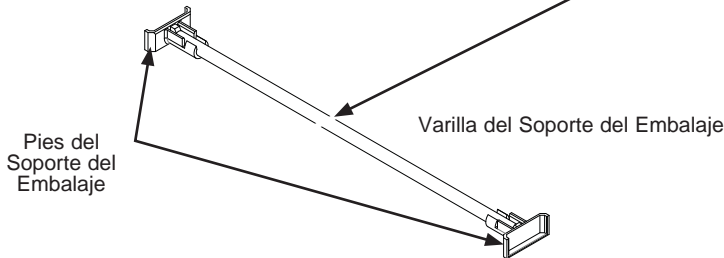
5. Una vez que el horno se encuentre instalado en el gabinete, alinee el Marco de Ventilación Inferior con los agujeros de los soportes de montaje y realice su instalación usando dos tornillos Torx de 1/2".



# Instalación

## LISTA DE CONTROL ANTES DE LA PRUEBA

- De estar presente, retire toda la película protectora.
- Revise para asegurarse de que todos los alambres estén bien conectados y no aplastados.
- Retire los soportes de embalaje de la superficie de cocción:
  1. Retire la Varilla del Soporte del Embalaje empujando hacia arriba sobre un extremo.
  2. Retire ambos Pies del Soporte de Embalaje, deslizando estos hacia afuera de la pared y hacia el centro de la Piedra.
  3. Realice su retiro del horno y descártelos.



## LISTA DE CONTROL PARA LA OPERACIÓN

### IMPORTANTE

- Retire cualquier artículo del interior del horno.
- Cerciórese de que el conducto está conectado firmemente a la caja de conexión eléctrica.
- Conecte la energía hacia el horno. (Consulte su Manual del propietario.) Verifique que todas las funciones de cocción operen correctamente.
- Cerciórese de que el interruptor de circuito no se haya disparado o de que los fusibles de la casa no estén quemados.
- Consulte el manual del propietario para una lista de problemas eventuales.

**NOTA AL ELECTRICISTA:** los alambres eléctricos proporcionados con este aparato son reconocidos por la UL para las conexiones con cableado residencial de mayor calibre. El aislante de estos alambres supera las especificaciones indicadas para cableado residencial. La capacidad actual de conducción del cable depende de la clasificación de la temperatura del aislamiento alrededor del alambre.

**NOTA:** Cableado de aluminio

- A. **⚠ WARNING** UNA CONEXIÓN INAPROPIADA DEL CABLEADO DEL ALUMINIO RESIDENCIAL CON EL COBRE, PODRÍA RESULTAR EN PROBLEMAS SERIOS O EN INCENDIO.
- B. Conecte los alambres de cobre a los alambres de aluminio usando conectores especiales diseñados y aprobados por UL para unir cobre y aluminio y siga cuidadosamente el procedimiento para hacer las conexiones recomendadas por el fabricante.

**NOTA:** El alambrado que se use, la ubicación y el tipo de conexión, etc., deben cumplir con las buenas prácticas de alambrado y los códigos locales.

**NOTA:** Al realizar las instalaciones descritas en este libro, se deberán usar anteojos o gafas de seguridad.

**NOTA:** Monogram Appliances se esfuerza de forma constante para mejorar sus productos. Por lo tanto, los materiales, el aspecto y las especificaciones están sujetos a cambios sin aviso previo