



INSTALLATION INSTRUCTIONS

**18", 24" and 30" Built-In Column Freezers
24" and 30" Built-In Column Refrigerators**

ENGLISH/FRANÇAIS/ESPAÑOL.

Safety Information

BEFORE YOU BEGIN

Read these instructions completely and carefully.

- **IMPORTANT** – Save these instructions for local inspector's use. Observe all governing codes and ordinances.
- **Note to Installer** – Be sure to leave these instructions with the Consumer.
- **Note to Consumer** – Keep these instructions with your Owner's Manual for future reference.

If you received a damaged unit, you should immediately contact your dealer or builder.

Skill Level – Installation of this unit requires basic mechanical, carpentry and plumbing skills. Proper installation is the responsibility of the installer. Product failure due to improper installation is not covered under the Monogram Warranty. See the Owner's Manual for warranty information.

WARNING **Electrical Shock Hazard.**

Plug into a grounded 3-prong outlet.

Do not remove the ground prong.

Do not use an adapter.

Immediately discontinue use of a damaged supply cord.

If the supply cord is damaged it must be replaced by a qualified service professional with an authorized service part from the manufacturer.

Do not use an extension cord with this appliance.

Failure to follow these instructions can result in death, fire, or electrical shock.

Follow the instructions in the section Grounding the unit.


This appliance must be installed with a means in the fixed house wiring or circuit breaker for disconnecting the appliance from the electrical supply after installation.

WARNING **Tip Over Hazard.**

These appliances are top heavy, especially with any doors open, and must be secured to prevent tipping forward which could result in death or serious injury. Read and follow the entire installation instructions for securing the appliance with the anti-tip system.


WARNING **Fire or Explosion Hazard.**

Keep flammable materials and vapors away from appliance. Failure to do so can result in fire, explosion, or death.

 **WARNING** To reduce the risk associated with choking, do not allow children under 3 years of age to have access to small parts during the installation of this product.

CAUTION **Lifting Hazard**

This unit is very heavy. To reduce the risk of person injury during maneuvering and installing this appliance, 3 people are required for proper installation.

 **CAUTION** Keep fingers out of the “pinch point” areas; clearances between the doors and between the doors and cabinet are necessarily small. Be careful closing doors when children are in the area.

For Monogram local service in your area, visit monogram.com or call 800.444.1845.

For Monogram service in Canada, visit monogram.ca or call 800.561.3344.

For Monogram Parts and Accessories, visit monogram.com or call 800.444.1845.

For Monogram Parts and Accessories in Canada, visit monogram.ca or call 800.661.1616.

Contents

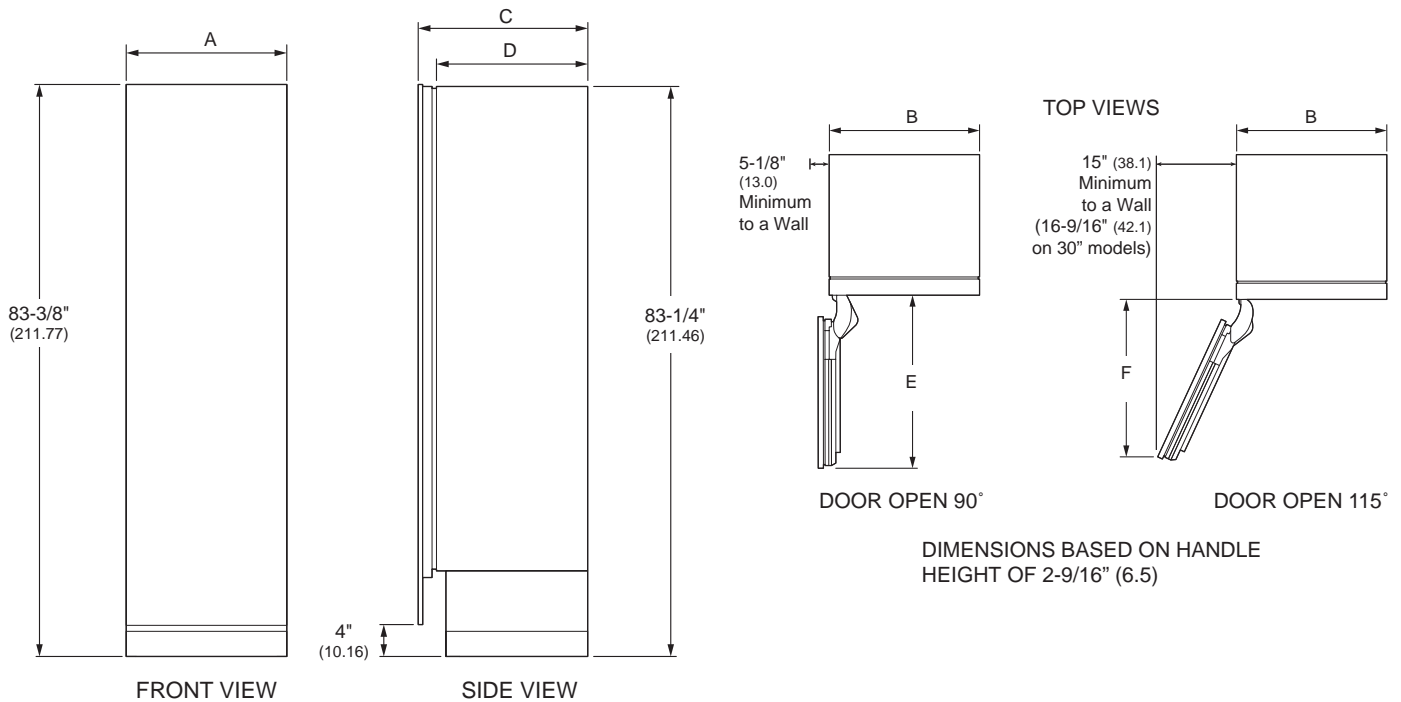
Safety	2	Step 12. Start Icemaker	36
Design Guide		Step 13. Install AutoFill Pitcher Assembly	37
Dimensions and Clearances	4	Instructions for Single Integrated Installation	38
Accessories/Kits	5	The Installation Space	39
Reversing the Door Swing	6	Tools, Hardware, Materials	40
Step 1. Remove Upper Enclosure	7	Grounding the Unit	40
Step 2. Remove Door	7	Flooring	40
Step 3. Move Control Assembly	8	Step 1. Remove Packaging	41
Step 4. Move Light Switch Housing	8	Step 2. Install Water Line	41
Step 5. Reinstall Hinge Brackets	9	Step 3. Preparing Unit for Installation	42
Step 6. Reinstall the Enclosure	9	Step 4. Install Anti-tip Bracket	42
Step 7. Reinstall the Front Access Cover	10	Step 5. Connecting Water Supply	42
Step 8. Remove Hinges from Door	10	Step 6. Inserting/Securing into Cabinet Surround	43
Step 9. Panel Brackets and Hinges	11	Step 7. Level Unit	44
Step 10. Reinstall the Door	11	Step 8. Final External Unit Preparation	44
Instructions for Dual Integrated Installation	12	Step 9. Toe Kick Installation	45
The Installation Space	13	Step 10. Internal Unit Preparation	45
Tools, Hardware, Materials	14	Step 11. Start Icemaker	45
Grounding the Unit	15	Step 12. Install AutoFill Pitcher Assembly	46
Flooring	15	Stainless Steel Door Panel Installation	47
Step 1. Remove Packaging	15	Step 1. Install Stainless Panel	48
Step 2. Install Water Line	16	Step 2. Adjust Stainless Panel	49
Step 3. Preparing Unit for Installation	16	Step 3. Install Hinge Covers	49
Step 4. Install Anti-tip Bracket	17	Step 4. Install Door Trims	50
Step 5. Joining Dual Installed Units	18	Custom Overlay Door Panel Installation	51
Step 6. Connecting Water Supply	19	Custom Handle Design Guide	52
Step 7. Inserting/Securing into Cabinet Surround	19	3/4" Custom Decorative Panel Dimensions	52
Step 8. Level Unit	20	Step 1. Overlay Panel Prep	53
Step 9. Final External Unit Preparation	21	Step 2. Install Overlay Panel	54
Step 10. Toe Kick Installation	22	Step 3. Adjust Overlay Panel	54
Step 11. Internal Unit Preparation	22	Step 4. Install Hinge Covers	55
Step 12. Start Icemaker	22	Step 5. Install Door Trims	55
Step 13. Install AutoFill Pitcher Assembly	23		
Instructions for Dual Retro-Fit Installation	24		
The Installation Space	25		
Tools, Hardware, Materials	26		
Grounding the Unit	26		
Flooring	26		
Step 1. Remove Packaging	27		
Step 2. Install Water Line	27		
Step 3. Preparing Unit for Installation	28		
Step 4. Install Anti-tip Bracket	29		
Step 5. Joining Dual Installed Units	30		
Step 6. Connecting Water Supply	32		
Step 7. Inserting/Securing into Cabinet Surround	33		
Step 8. Level Unit	34		
Step 9. Final External Unit Preparation	34		
Step 10. Toe Kick Installation	36		
Step 11. Internal Unit Preparation	36		

Design Guide

DIMENSIONS AND CLEARANCES

Dimensions in parentheses are in centimeters.

Overall Dimensions



Dimensions		18" Models	24" Models	30" Models
A	Overall Width - Front	17-1/2" (44.5 cm)	23-1/2" (59.7 cm)	29-1/2" (74.9 cm)
B	Overall Width - Rear	17-1/4" (43.8 cm)	23-1/4" (59.1 cm)	29-1/4" (74.3 cm)
C	Overall Depth	24-3/4" (62.9 cm)	24-3/4" (62.9 cm)	24-3/4" (62.9 cm)
D	Case Depth	22-1/16" (56 cm)	22-1/16" (56 cm)	22-1/16" (56 cm)
E	Door Clearance at 90°	21-1/4" (53.9 cm)	27-1/4" (62.9 cm)	33-1/4" (84.5 cm)
F	Door Clearance at 115°	19-1/16" (48.4 cm)	24-1/2" (62.2 cm)	29-15/16" (76.0 cm)
	Cutout Width	17-13/16" (45.3 cm)	23-13/16" (60.5 cm)	29-13/16" (75.7 cm)
	Cutout Height	84" (213.4 cm)	84" (213.4 cm)	84" (213.4 cm)
	Cutout Depth	25" (63.5 cm)	25" (63.5 cm)	25" (63.5 cm)
	Weight	370 lbs (167.8 kg)	460 lbs (208.7 kg) (Refrigerator) 430 lbs. (195.0 kg) (Freezer)	495 lbs (224.5 kg) (Refrigerator) 475 lbs. (215.5 kg) (Freezer)

Shipping height.

The product can be adjusted to fit into a cutout that is 84" (213.36 cm). Use leveling legs and wheels for a maximum 1" (2.54 cm) height adjustment.

Product Clearances

These units are equipped with a 2-position door stop. The factory set 115° door swing can be adjusted to 90° if clearance to adjacent cabinets or walls is restricted.

For a 90° door swing, allow 4" (10.2 cm) minimum clearance to a wall.

When installed in a corner, allow 15" (38.1 cm) for a full 115° door swing on 18" and 24" models. Allow 16 9/16" (42.07 cm) on 30" models.

Design Guide

The Monogram Columns refrigerators and freezers can be installed in many configurations with different installation situations. Three installation situations will be explained along with door reversal instructions and two options for door panel installation.

Reversing the Door Swing (all installation types)

Making a refrigerator LH swing and freezer RH swing. MUST be done BEFORE the unit is removed from the shipping skid.

Instructions for Dual Integrated Installation

New construction installation with 25" deep openings

Instructions for Dual Retro Installation

Existing construction installation (existing cutouts) with 24" deep openings that are 41-1/2" or 47-1/2" wide

Instructions for Single Integrated Installation

New construction installation with 25" deep opening

Instructions for Stainless Steel Door Panel Installation (all installation types)

Installing Stainless Steel Door Panel Kits

Instructions for Custom Overlay Door Panel Installation (all installation types)

Installing Custom Decorative Panels

ACCESSORIES/KITS

- **ZKUN** Heater Unification Kit
- **WX08X10006** 8 Ft. Water Line
- **ZKR42N** 42" Trim Retro Kit
- **ZKR48N** 48" Trim Retro Kit
- Stainless Steel Door Panel Kits

- Stainless Toe Kicks for Dual Install

42"	ZKK42P
48"	ZKK48P
54"	ZKK54P
60"	ZKK60P

ZK1SN189NLH	LH 18" Stainless Steel Door Panel
ZK1SN184NRH	RH 18" Stainless Steel Door Panel
ZK1SN249NLH	LH 24" Stainless Steel Door Panel
ZK1SN244NRH	RH 24" Stainless Steel Door Panel
ZK1SN309NLH	LH 30" Stainless Steel Door Panel
ZK1SN304NRH	RH 30" Stainless Steel Door Panel
ZKSP1H1CNSS	Minimalist Handle for Stainless Steel Panels Only
ZKSP1H1PNSS	Statement Handle for Stainless Steel Panels Only

Reversing the Door Swing

This step can be done for all installation types.

Installation Instructions - Reversing the Door Swing

⚠ WARNING Follow all steps when reversing the door swing. Failure to follow these instructions, leaving off parts, or overtightening screws, can lead to the door falling off and result in injury and property damage.

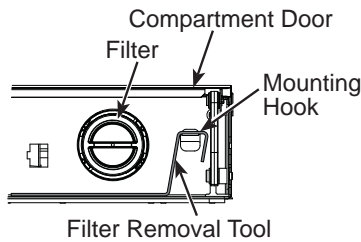
- If installation will require the door swing to be reversed, follow these directions to reverse the door swing BEFORE the unit is removed from the shipping skid.
- Instructions for reversing a RH swing refrigerator are shown in the following steps.

⚠ WARNING  **Tip Over Hazard.**

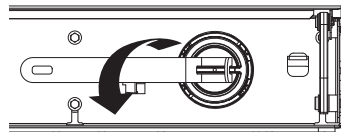
This appliance is top heavy, especially with the door open, and must be secured to prevent tipping forward which could result in death or serious injury.

STEP 1 REMOVE UPPER ENCLOSURE

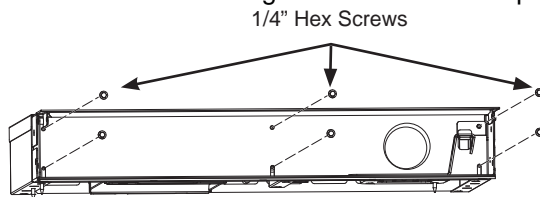
- Open the front cover of the enclosure to 90°. Locate filter and filter removal tool. Filter should be as shown.



- Rotate filter ¼ turn counterclockwise (use filter removal tool if needed).

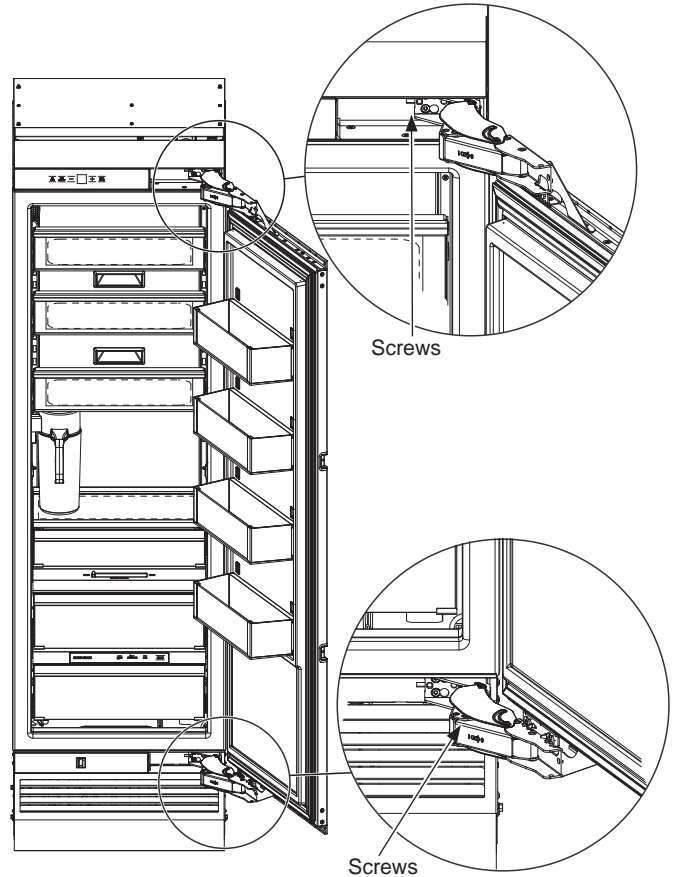


- Pull filter toward you to remove. **NOTE:** Water system will not function without filter in place.
- Remove 6 screws securing front enclosure to top case.



STEP 2 REMOVE DOOR

- Open the door to the open position.
- Have a second person support the open door.
- Remove 2 T30 Torx screws securing the bottom hinge to the case.



- Remove the 2 T30 Torx screws securing the top hinge to the case.
- Place the door on a protected work surface (to prevent scratches), liner side down.

NOTICE: Door hinges will remain in the open position during the door reversal procedure.

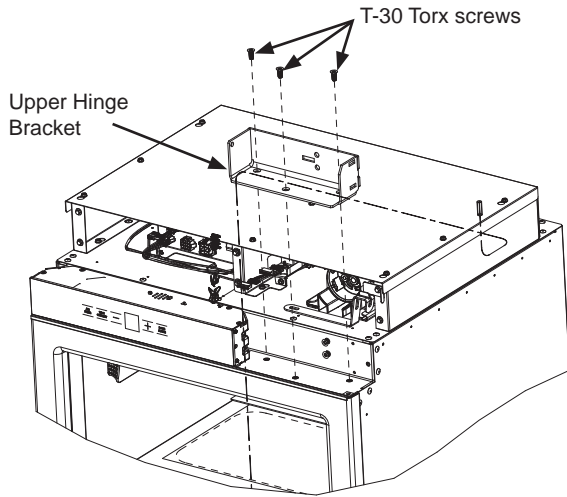
⚠ WARNING  **Door Hinge Pinch Point Hazard**

Door hinges are under tension and should be left in the open position throughout the reversal process. Closing the hinge can lead to a finger pinch point hazard.

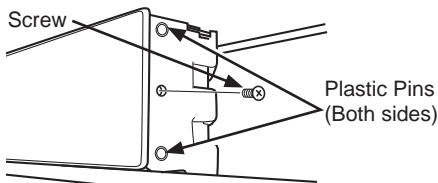
Installation Instructions - Reversing the Door Swing

STEP 3 MOVE CONTROL ASSEMBLY

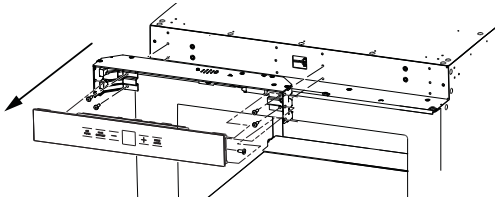
- Remove upper hinge brackets by removing the T-30 Torx screws.



- Remove the Phillips head screw from the middle of the housing on the hinge side.

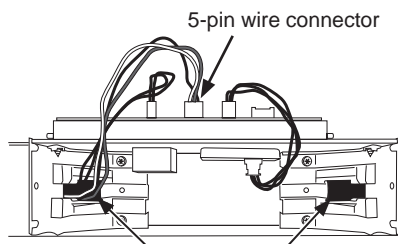


- Insert a flat head screwdriver or putty knife between the glass front and plastic side and free the control assembly by prying the plastic pins clear of the side bracket holes.



- Lay the glass assembly on top of the control housing.
- Remove 4 screws, 2 on each end, to remove the housing assembly using a 1/4" Hex bit.
- Move the housing assembly to the opposite side and install using the 4 screws, 2 on each side.

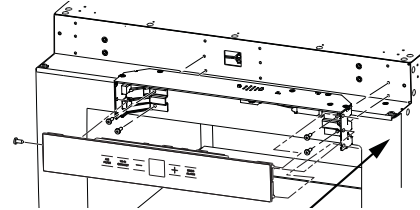
NOTE: Make sure wires do not get pinched. On 18" models, the red/white/black 5-pin wire connector will need to be removed from the control board and routed through the opposite corner bracket and reconnected to the control board to prevent pinching the wiring.



Wires must be rerouted from one side to the other for 18" models.

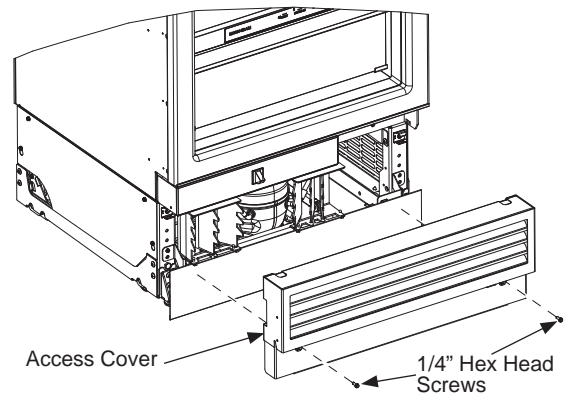
STEP 3 MOVE CONTROL ASSEMBLY (Cont.)

- Snap glass assembly back onto the control housing assembly, ensuring plastic pins snap into holes on the side of the housing.

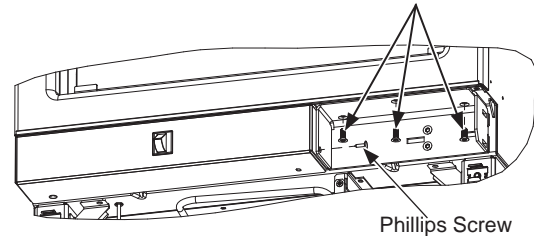


STEP 4 MOVE LIGHT SWITCH HOUSING

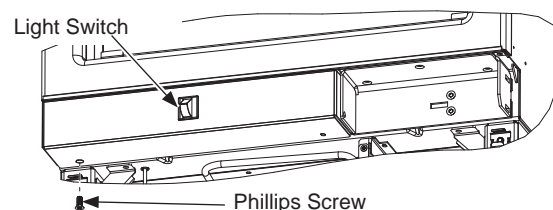
- Remove front access cover from unit by removing two 1/4" hex head screws.



- Remove the Philip screw first and lower hinge brackets by removing three T-30 Torx screws.



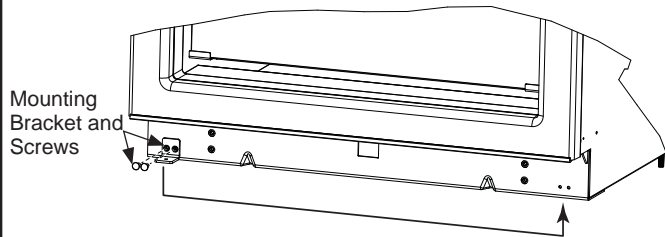
- Remove screw with 1/4" hex bit driver at the bottom corner of light switch housing.



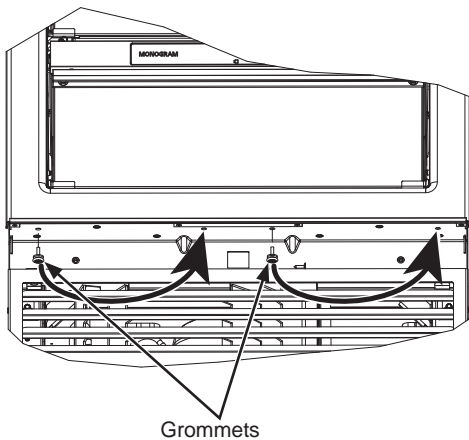
Installation Instructions - Reversing the Door Swing

STEP 4 MOVE LIGHT SWITCH HOUSING (Cont.)

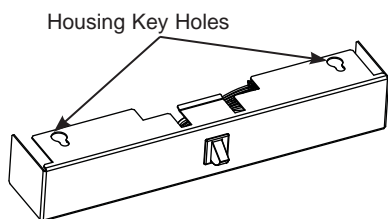
- Move the mounting bracket to the other side of the unit by removing two Philips screws and using them to install the bracket in its new location.



- Slide housing forward and down to remove from case and grommets on case bottom.
- Keeping it connected to the unit, lay housing aside.



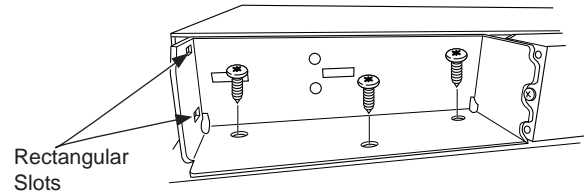
- Remove 2 grommets with Phillips driver.
- Move grommets to the set of 2 holes on opposite side.
- Align housing key holes over grommets and then slide back until engaged. Ensure wires do not get pinched.



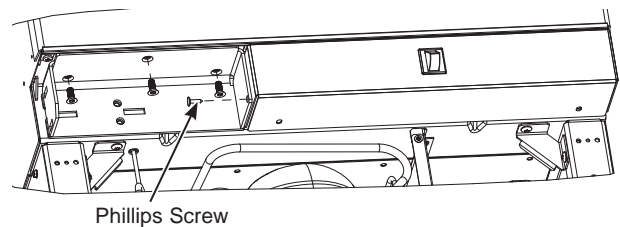
- Install Phillips screw into bottom hole to hold in place.

STEP 5 REINSTALL HINGE BRACKETS

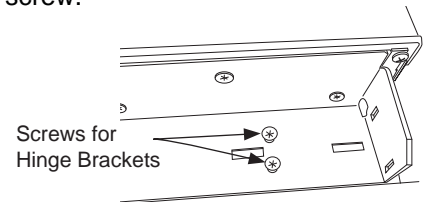
- Move top hinge bracket to bottom and bottom bracket to top.
- Ensure the 2 rectangular slots of bracket are on outside, hinge side of case.



- Install both brackets with 3 T-30 Torx screws 45 in/lb (5.1 Nm).

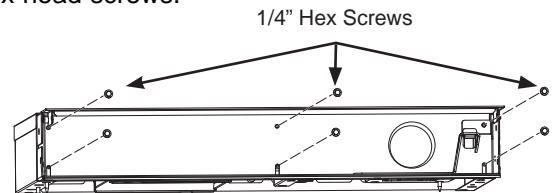


- Install the Phillips screw.
- Start 2 screws in each bracket for hinge mounting but do not tighten all the way.

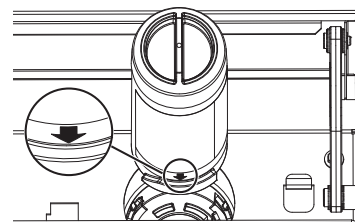


STEP 6 REINSTALL THE ENCLOSURE

- Install the enclosure assembly with removed six 1/4" hex head screws.



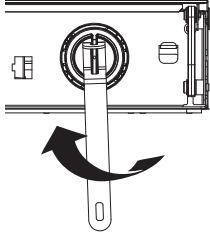
- Locate blue arrow on filter. Rotate filter to align arrow as shown.



Installation Instructions - Reversing the Door Swing

STEP 6 REINSTALL THE ENCLOSURE (Cont.)

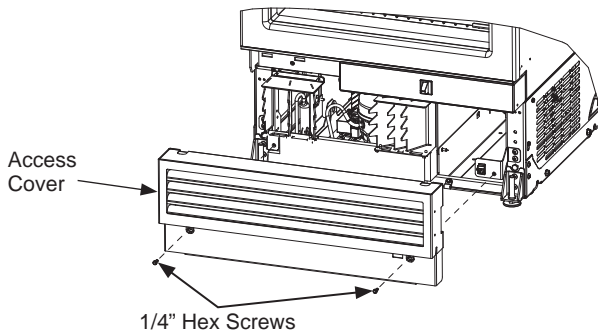
- Insert filter into position and rotate ¼ turn clockwise (use filter removal tool if needed).



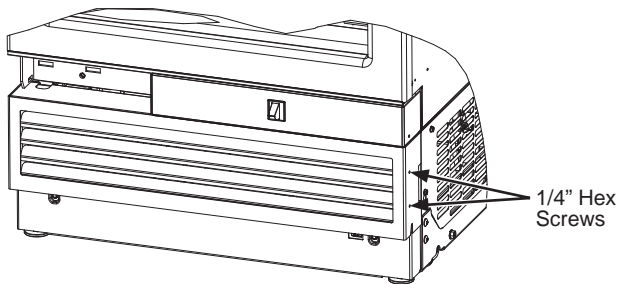
- Return filter removal tool to mounting hook.
- Close the compartment door.

STEP 7 REINSTALL THE FRONT ACCESS COVER

- Put the access cover back onto the unit and secure with two 1/4" hex head screws.



- Verify the two 1/4" hex head screws are assembled to handle side of the products for both freezer and fresh food columns.



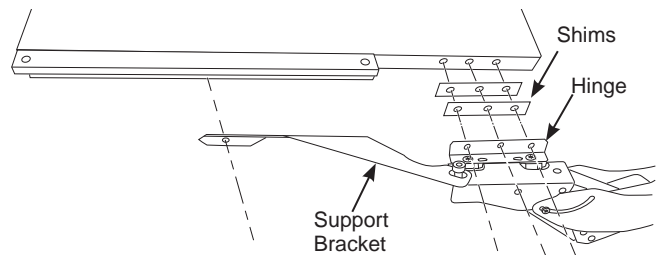
STEP 8 REMOVE HINGES FROM DOOR

⚠ WARNING Door Hinge Pinch

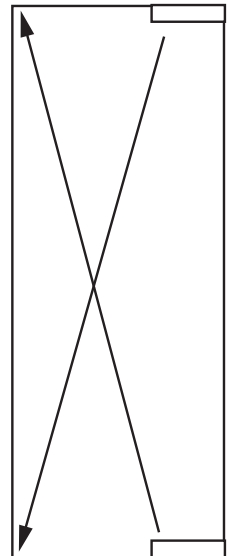
Point Hazard

Door hinges are under tension and should be left in the open position throughout the reversal process. Closing the hinge can lead to a finger pinch point hazard.

- Remove 3 screws securing each hinge from the top and bottom of the door and one screw securing the support bracket to the door (T-30 Torx)



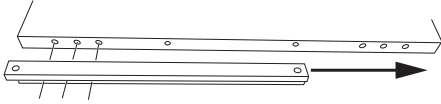
- Move the hinge assembly to the opposite end of the door - top hinge to the bottom and bottom hinge to the top. Hinge, L-bracket already attached to hinge, and support bracket will all move together.
- 2 shims between the hinge bracket and door will be moved to the other side save for installing the hinge.



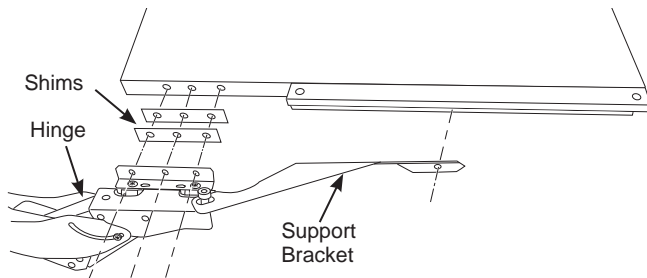
Installation Instructions - Reversing the Door Swing

STEP 9 PANEL BRACKETS AND HINGES

- Remove panel brackets on each end of the door by removing the T30 Torx screws.



- Slide same bracket on each end to other side of door and re-install brackets to door.
- Install hinges to door ensuring that 2 shims are between hinge L-bracket and door. Install with 3 T-30 Torx screws 45 in/lb (5.1 Nm)



NOTE: Ensure L-bracket remains attached to hinge and is on the outer side of the door. Hinge is on the inner door side.

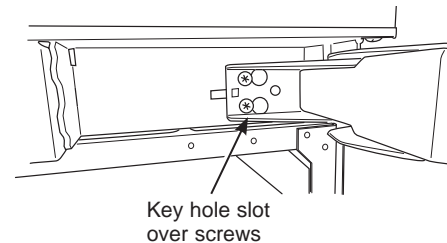
REMINDER: Hinges have to move from top to bottom and bottom to top.

- Install support bracket screw through both support bracket and panel bracket.

STEP 10 REINSTALL THE DOOR

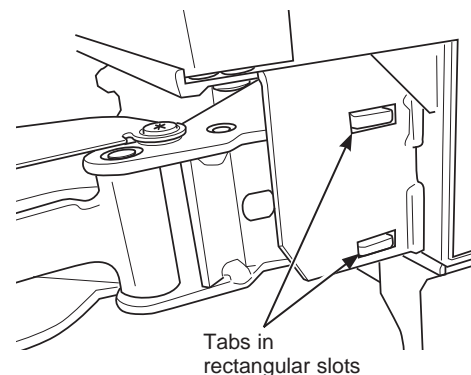
▲ WARNING Follow all steps when reversing the door swing. Failure to follow these instructions, leaving off parts, or overtightening screws, can lead to the door falling off and result in injury and property damage.

- Ensure 2 hinge screws are started but not tightened in hinge brackets on case.
- With 2nd person, hold door with hinges near correct position.
- Install top hinges with key hole over screws and slide bracket.



- Repeat on bottom.

NOTE: Ensure 2 tabs on hinges are inserted into the rectangular slots on outside of hinge brackets BEFORE tightening screws.



- Tighten bottom screws 45 in/lb (5.1 Nm).
- Tighten top screws 45 in/lb (5.1 Nm).
- Carefully ensure door closes correctly and gasket aligns with case.

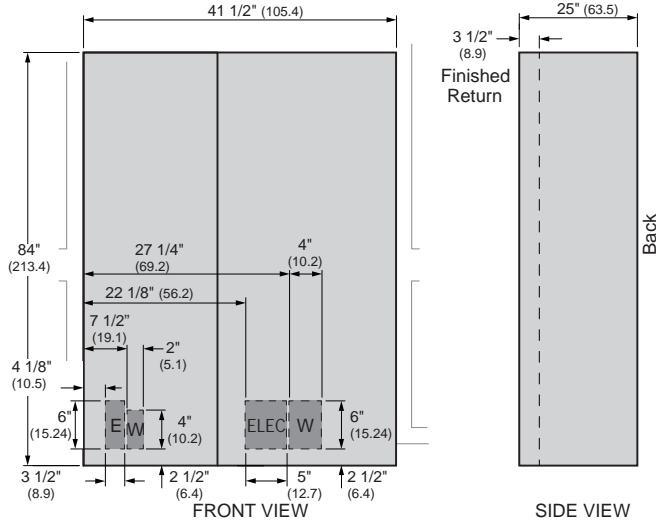
Instructions for Dual Integrated Installation
New construction installation with 25” deep openings

Design Guide - Dual Integrated Installation

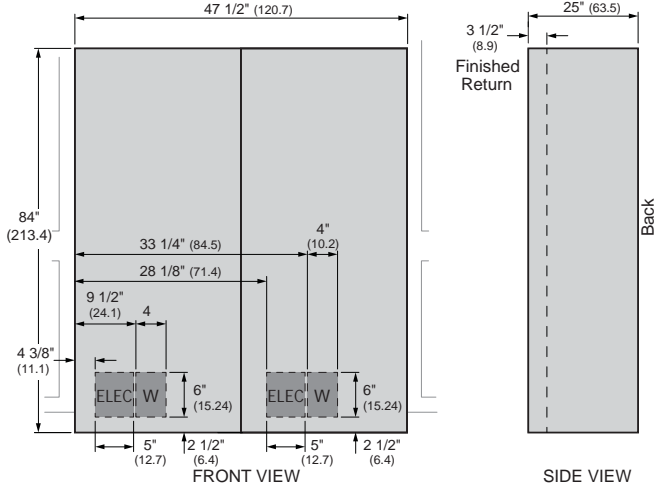
DUAL INTEGRATED INSTALLATION SPACE

Dimensions in parentheses are in centimeters.

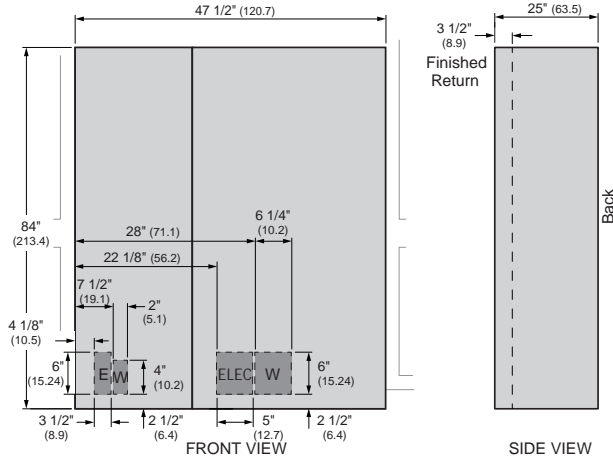
18" Integrated Freezer 24" Integrated Refrigerator



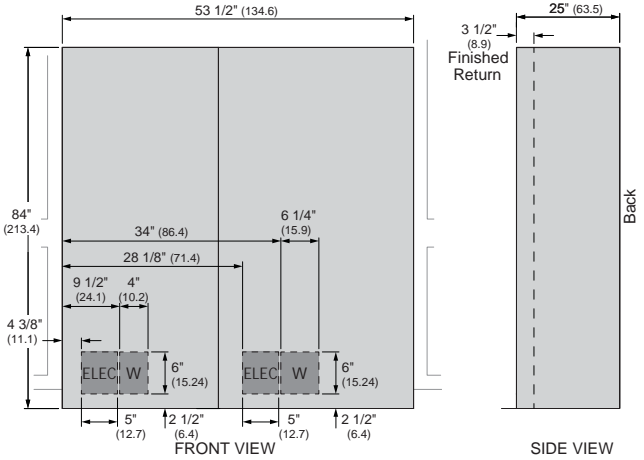
24" Integrated Freezer 24" Integrated Refrigerator



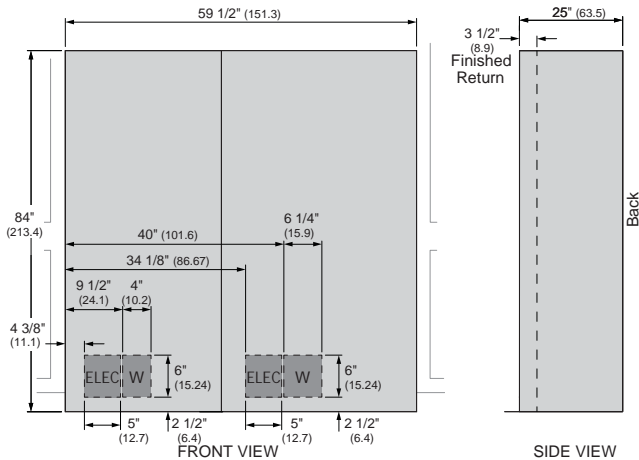
18" Integrated Freezer 30" Integrated Refrigerator



24" Integrated Freezer 30" Integrated Refrigerator



30" Integrated Freezer 30" Integrated Refrigerator



Design Guide - Dual Integrated Installation

DUAL INTEGRATED INSTALLATION SPACE

Water And Electrical Locations

Electrical and water supply must be located as shown.

The Cutout Depth Must Be 25"

Cutout is based on installation of 2 products with a left-and-right hand door swing.

Heater Unification Kit ZKUN required.

Product Clearances

These units are equipped with a 2-position door stop. The factory set 115° door swing can be adjusted to 90° if clearance to adjacent cabinets or walls is restricted.

For a 90° door swing, allow 4" (10.2 cm) minimum clearance to a wall.

When installed in a corner, allow 15" (38.1 cm) for a full 115° door swing on 18" and 24" models. Allow 16.5" (41.9 cm) on 30" models.

Additional Specifications

- A separate 115 volt 60Hz., 15 or 20 amp power supply is recommended for each product. An individual properly grounded branch circuit or circuit breaker is recommended. Install a properly grounded 3-prong electrical receptacle recessed into the back wall. Electrical must be located on rear wall as shown.
- Water line must be located on the back wall as shown. The water line should be 1/4" O.D. copper tubing or QuickConnect™ kit (WX08X10006) between the cold water line and water connection location, long enough to extend to the front of the unit (8' [2.4m]). Installation of an easily accessible shut-off valve in the water line is required.
- A minimum of 3-1/2" finished return matching cabinet exterior is recommended on interior on all sides and top at front of opening.

REFRIGERATOR/FREEZER LOCATION

- Do not install the refrigerator/freezer where the temperature will go below 55°F (13°C). It will not run often enough to maintain proper temperatures.
- Do not install the refrigerator/freezer where temperatures will go above 100°F (37°C). It will not perform properly.
- Do not install the refrigerator/freezer in a location exposed to water (rain, etc.) or direct sunlight.
- Install it on a floor strong enough to support it fully loaded.

HARDWARE SUPPLIED (per unit)

- Water Filter Bypass Plug (if equipped)
- Air filter (if equipped)
- Anti-Tip bracket
- 3 Lag screws
- 3 Tapcon screws
- 3 Toggles with bolts
- Panel installation templates
- 2 Door trims
- 2 Door panel brackets
- Set screws
- #6 Phillips head wood screws
- Door Bracket Cover Top
- T30 screws
- 1 Hinge limiter pin
- Center door panel bracket
- Hi-Lo screw and square washer
- Stainless Toe Kick
- Painted access cover screws
- T10 screw

TOOLS AND MATERIALS REQUIRED

- Metal shears
- #1, #2 Phillips screwdriver
- Flathead screwdriver
- Putty knife
- Measuring tape
- Drill and 1/16", 5/64", 3/16", 1/2" bits
- 5/32" concrete bit (if installing anti-tip into concrete)
- 1/4", 3/8", 7/16" driver/socket
- 7/16" open wrench
- T10, T20, T30 driver/bit
- 1/8", 1/4" hex driver (allen wrench)
- Level
- Water shut-off valves (optional but recommended)
- 8' waterline (one per unit requiring water hookup)
- Masking tape
- Rubbing alcohol
- Adjustable wrench
- Center punch
- Heater Unification Kit (ZKUN)
- Stainless Steel Door Kits (if applicable)
- Custom panels for doors (if applicable)
- Handle Kits (if applicable)
- Small Ratchet

Installation Instructions - Dual Integrated Installation

KIT ZKUN PARTS SUPPLIED:

Adhesive Heater
Transformer
Front Mullion
Trim Bracket
Top Unification Bracket
Bottom Front Unification Bracket
3 1/4" Hex Head 8-18 5/8" Long Screws
5 1/4" Hex Head 8-32 5/8" Long Screws
5 3/8" Hex Head 1/4-20 1/2" Long Screws
4 wire clips

Tools and Materials Required:

1/4" and 3/8" driver / sockets
#2 Phillips screwdriver
Rubbing alcohol

GROUNDING THE UNIT

⚠ WARNING **Electrical Shock**

Hazard. Failure to follow these instructions can result in death, fire, or electrical shock.

The power cord of this appliance is equipped with a 3-prong (grounding) plug which mates with a standard 3-prong (grounding) wall receptacle to minimize the possibility of electric shock hazard from this appliance.

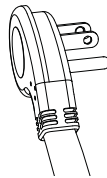
Have the wall outlet and circuit checked by a qualified electrician to make sure the outlet is properly grounded.

Where a standard 2-prong wall outlet is encountered, it is your personal responsibility and obligation to have it replaced with a properly grounded 3-prong wall outlet.

DO NOT, UNDER ANY CIRCUMSTANCES, CUT OR REMOVE THE THIRD (GROUND) PRONG FROM THE POWER CORD.

DO NOT USE AN ADAPTER PLUG TO CONNECT THE REFRIGERATOR TO A 2-PRONG OUTLET.

DO NOT USE AN EXTENSION CORD WITH THIS APPLIANCE.



FLOORING

For proper installation, this product must be placed on a level surface of hard material that is at the same height as the rest of the flooring. This surface should be strong enough to support a fully loaded refrigerator or freezer, or approximately 1,200 lbs. per unit.

NOTE: Protect the finish of the flooring.

NOTE: Not recommended for installation on carpeted flooring.

STEP 1 REMOVE PACKAGING

⚠ WARNING

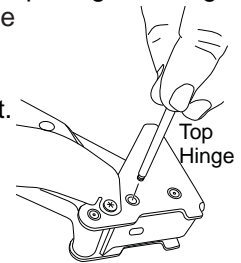


Tip Over Hazard. This appliance is top heavy. Use extreme caution with moving to prevent tipping over which could result in death or serious injury.

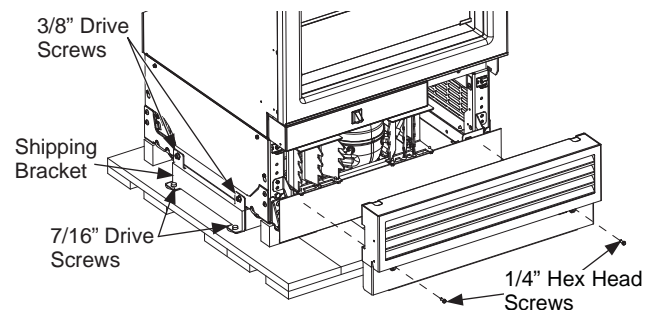
- Remove outer carton and external packing from units.
- Inspect for damage.
- If installation will require the door swing to be reversed, follow the instructions in Reversing the Door Swing section to reverse the door swing **BEFORE** the unit is removed from the shipping skid.
- Ensure the flooring that the units are set is clean/free of debris that could be collected on to, or pinched in front of the wheels and damaging the floor. Additionally, it is recommended that the floor be protected with a plastic covering through out the installation process.

- Remove hardware kit from top drawer.
- If installation requires a 90° door opening, the hinge limiter pin must be installed in the top hinge **BEFORE** the unit is removed from the shipping skid. Pin is located in the hardware kit.

- Open the door approximately 45°, but no wider than 90°, to expose the hole in the back hinge bracket and install the limiting pin. Pin must be fully seated in the bracket or the door will not close properly.



- Remove front access cover from unit by removing two 1/4" hex head screws. (Some models have access cover in a box on the left side of the cabinet.) Place the cover and screws to the side for future installation.



- Remove three 3/8" drive screws and two 7/16" drive screws from each side of the unit to release it from the shipping skid. Tip the unit from the side enough to remove the shipping material from under the unit, but above the shipping skid (both sides)
- **CAREFULLY** roll the unit off the back side of the shipping skid.
- Handle from side only with a hand truck.

Installation Instructions - Dual Integrated Installation

STEP 2 INSTALL WATER LINE

⚠ WARNING Connect to potable water supply only. A cold water supply is required for automatic icemaker operation. The water pressure must be between 40 and 120 psi (275-827 kilopascals).

⚠ WARNING  **ELECTRIC SHOCK HAZARD**
Attach tubing clamp using existing hole only. DO NOT drill into the refrigerator.

Shut off the main water supply.

Turn on the nearest faucet long enough to clear the line of water.

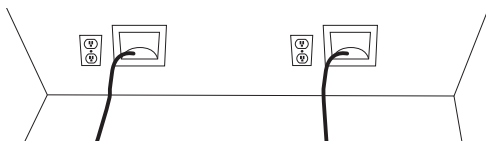
- Install a shut-off valve between the water valve and cold water pipe in a basement or cabinet. **The shut-off valve should be located where it will be easily accessible.**
- Turn on the main water supply and flush debris. Run about a quart of water through the tubing into a bucket. Shut off water supply at the shut-off valve.

NOTE: Saddle type shut-off valves are included in many water supply kits. Before purchasing, make sure a saddle type valve complies with your local plumbing codes.

NOTE: Commonwealth of Massachusetts Plumbing Codes 248CMR shall be adhered to. Saddle valves are illegal and use is not permitted in Massachusetts. Consult with your licensed plumber.

- Route 1/4" OD copper or SmartConnect™ (WX08X10006) plastic tubing between house cold water line and the water connection location at the front of the unit.

SmartConnect™ Refrigerator Tubing Kits are available. One 8' (2.4m) water line (WX08X10006) is needed for each unit. The waterline(s) will be taped to the floor using masking tape after anti-tip bracket installation.

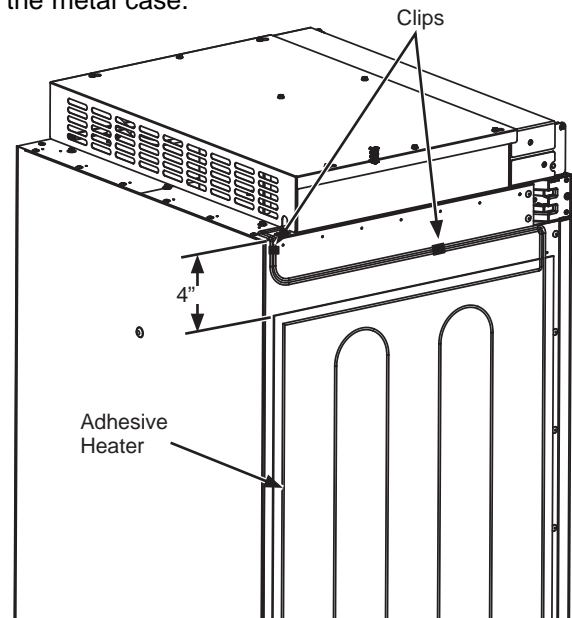


- Tubing should be long enough to extend to the front of the unit. Allow enough tubing to accommodate bend leading into the water line connection. Unit must be tipped on its side to route waterline underneath and to the front of the appliance.

NOTE: The only GE Appliances approved plastic tubing is supplied in the SmartConnect™ Refrigerator Tubing kits. Do not use any other plastic water supply line because the line is under pressure at all times. Other types of plastic may crack or rupture with age and cause water damage to your home.

STEP 3 PREPARING UNIT FOR INSTALLATION

- Unpack the heater Unification Kit (ZKUN) and make sure all of the components on the list are included.
- NOTE:** Ensure the heater connector cord is toward the top of the unit when installed.
- Place the right hand unit in front of the installation opening in a way that the unit is in front of the intended installed location.
 - Install adhesive heater on the outside of the unit to the left side of the case. Install heater 4" below the case top. Heater should be centered front to back on the metal case.



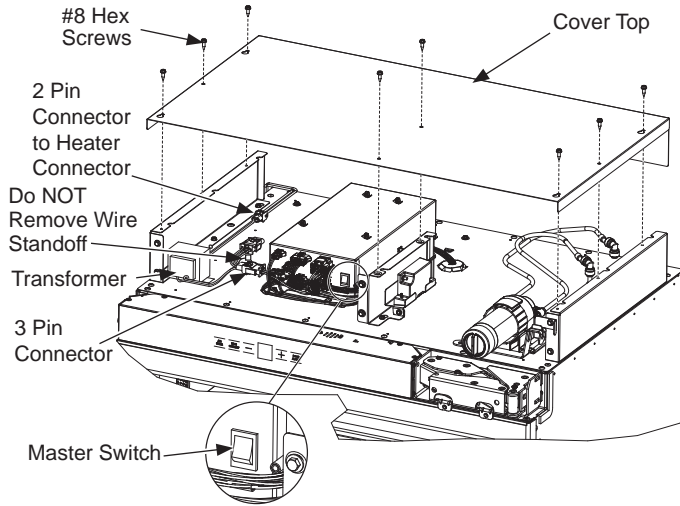
⚠ WARNING  **Electrical Shock**

Hazard. To avoid the risk of electric shock, make sure the power cord is not plugged into the wall outlet.

- Install the transformer into the case top assembly:
 1. Remove cover top by removing eight #8 hex screws and keep aside for assembling back the cover top.
 2. Place the transformer into the case top provided in ZKUN kit and secure it with the existing (1/4") hex screws to left front of case top.
 3. Connect the 2 pin transformer connector to the heater connector and 3 pin connector to panel control, make sure locking tabs are engaged.
 4. **NOTE:** Verify the master switch is on.
 5. Assemble the cover top with screws save from previous step.

Installation Instructions - Dual Integrated Installation

STEP 3 PREPARING UNIT FOR INSTALLATION (Cont.)



Enclosure assembly upper is hidden for clarity.

STEP 4 INSTALL ANTI-TIP BRACKET

⚠ WARNING Tip Over Hazard.

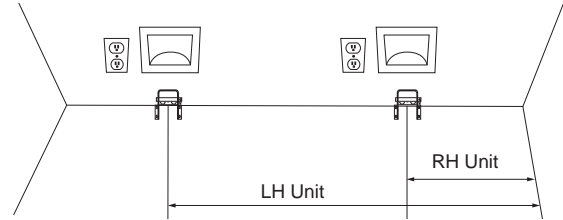
These appliances are top heavy, especially with any doors open, and must be secured to prevent tipping forward which could result in death or serious injury. Read and follow the entire installation instructions for securing the appliance with the anti-tip system.

- Remove the anti-tip bracket from the hardware kit.
- Anti-tip bracket should be mounted against the back wall or up to 25-1/2" (64.7 cm) maximum from front of opening. Use floor mounting method if the bracket is not against a wall (bracket hardware is provided for mounting into wood, steel studs and concrete).

LH Unit			RH	UNIT
18"	24"	30"		
26-5/8" 67.6 cm	23-1/2" 59.7 cm	23-1/2" 59.7 cm	8-7/8" 22.5 CM	18"
32-5/8" 82.8 cm	29-1/2" 74.9 cm	29-1/2" 74.9 cm	5-3/4" 14.5 CM	24"
38-5/8" 98.1 cm	35-1/2" 90.1 cm	35-1/2" 90.1 cm	5-3/4" 14.5 CM	30"

STEP 4 INSTALL ANTI-TIP BRACKET (Cont.)

- Measure and mark from the RH side of the opening per the table above depending on the size of the RH unit you are installing.



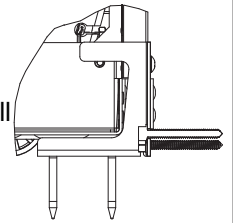
- Measure and mark again from the RH side of the opening per the table and depending on your combination of LH and RH units. For example, if installing an 18" LH unit and a 30" RH unit, use 5-3/4" and 38-5/8".

- Mount the anti-tip bracket centered about the marks and flush to the floor as shown. Mark 3 holes for wall mounting or 4 holes for floor mounting.

WOOD MOUNTING: Predrill with 3/16" drill bit, 2" deep, then install lag bolts with a 7/16" driver.

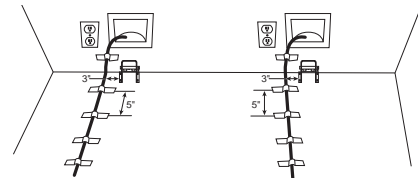
CONCRETE MOUNTING: Predrill with a 5/32" concrete bit, 2" deep, then install tapcon screws with a 7/16" driver.

STEEL MOUNTING: Predrill with a 1/2" drill bit, insert toggle, then install bolts with a 7/16" driver.



The bracket must be screwed to either the FLOOR or REAR WALL.

- If the enclosure is deeper than 25 1/2", the anti-tip bracket should be secured to the floor 25" from front of the enclosure.
- Tape the waterline to the wall and floor approximately 3" to the left of the anti-tip bracket. Apply tape about every 5" toward the front of the opening (tape will prevent the unit from rolling over the waterline during installation). Do not tape near the cabinet front in order to keep tape hidden under the unit.

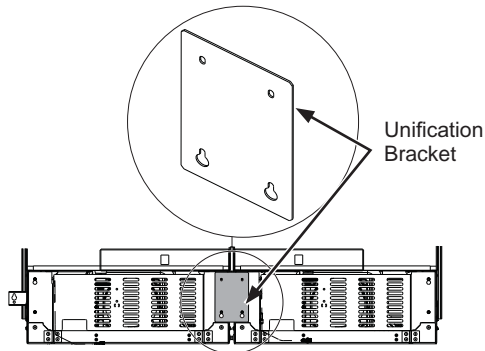


Installation Instructions - Dual Integrated Installation

STEP 5 JOINING DUAL INSTALLED UNITS

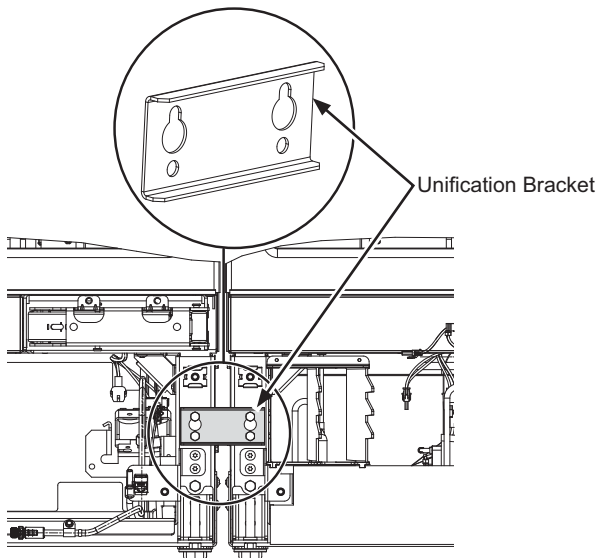
BOTTOM BACK UNIFICATION

- Loosen the two bottom screws of rear access covers of both units and remove the top screws.
- Hang the unification bracket to the bottom screws and reassemble the screws at the top.
- Tighten screws to tie units together.



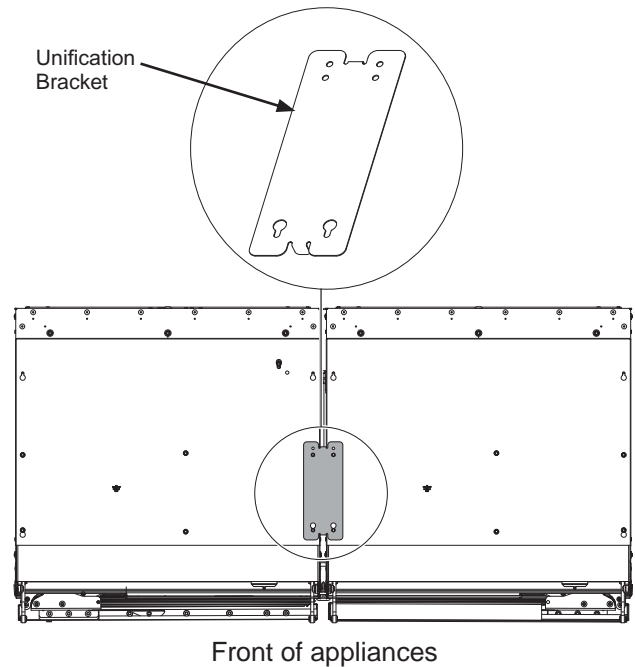
BOTTOM FRONT UNIFICATION

- Install the bottom front unification bracket using a 3/8" driver (4 screws).



TOP UNIFICATION

- Loosen the front two screws on top of the unit and remove the two middle screws.
- Assemble the bracket to the front screws and reinstall the middle screws.
- Tighten screws to tie units together.

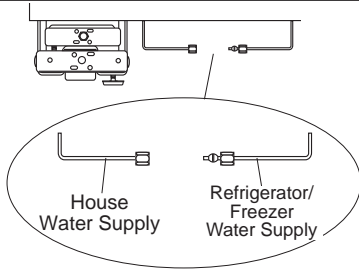


Installation Instructions - Dual Integrated Installation

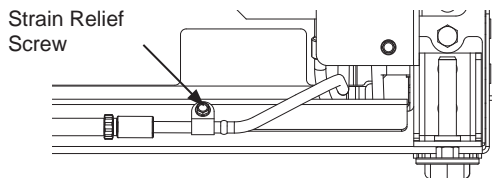
STEP 6 CONNECTING WATER SUPPLY

⚠ WARNING Connect to potable water supply only. A cold water supply is required for automatic icemaker operation. The water pressure must be between 40 and 120 psi (275-827 kilopascals).

⚠ WARNING  **ELECTRIC SHOCK HAZARD**
Attach tubing clamp using existing hole only. DO NOT drill into the refrigerator.



- Locate and bring the tubing to the front of the cabinet.
- Turn the water on to flush debris from the line. Run about a quart of water through the tubing into a bucket, then shut off the water.
- Remove strain relief screw to allow for enough slack to make a proper water connection. (Screw must be replaced in the next step.)



Copper Tubing:

- Slip a 1/4" nut and ferrule (provided) over both ends of the copper tubing. Insert the tube into the union fitting on the unit and tighten the nut to the union.
- Turn on the water to check for leaks.

SmartConnect™ Tubing:

NOTE: The only GE Appliances-approved plastic tubing is supplied in the SmartConnect™ Refrigerator Tubing kits. Do not use any other plastic water supply line because the line is under pressure at all times. Other types of plastic may crack or rupture with age and cause water damage to your home.

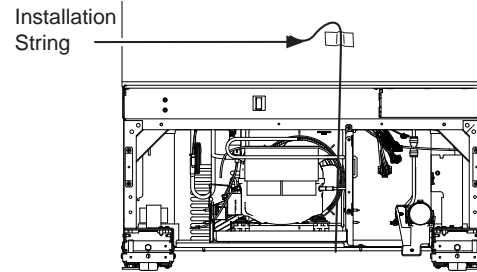
- Insert the molded end of the tubing into the refrigerator or freezer connection. Tighten the compression nut until it is just hand-tight.
- Follow the instructions provided with the tubing. Overtightening can cause leaks!
- Turn on the water to check for leaks.

STEP 7 INSERTING/SECURING INTO CABINET SURROUND

⚠ WARNING  **Electrical Shock Hazard.**

To reduce the risk of electrical shock, be careful during the remaining installation steps not to touch wiring or electrical components inside the compressor compartment while the appliance is plugged in and the front access cover is not in place.

- Plug both units into the outlet in the wall.
- Find the installation string that is attached to the door of the unit; this is to be used as you are pushing the unit back into the opening. The string is attached to the power cord; as you walk the unit back into the opening you should pull the string tight to make sure the power cord is routed underneath the unit.



- Slowly walk both units into opening making sure not to touch the cabinetry on the sides and top to prevent damage. Both door faces should be 7/8" behind the front face of surrounding cabinets on either a stainless or custom panel installation.

⚠ WARNING  **Tip Over Hazard.**

These appliances are top heavy, especially with any doors open, and must be secured to prevent tipping forward which could result in death or serious injury.

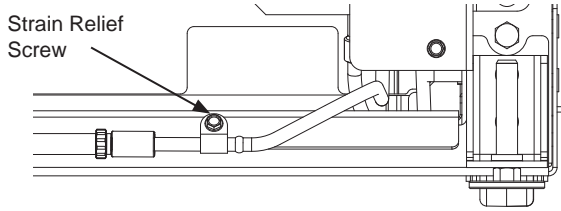
- Place power cord on its edge and pull under product between rollers and away from the anti-tip bracket to ensure cord is not damaged during installation.
- As you walk the unit back into the opening, you should pull the string tight to make sure the power cord is routed underneath the unit.



Installation Instructions - Dual Integrated Installation

STEP 7 INSERTING/SECURING INTO CABINET SURROUND (Cont.)

- Replace the waterline strain relief screw.



- Store the excess string, and water tubing under the unit.

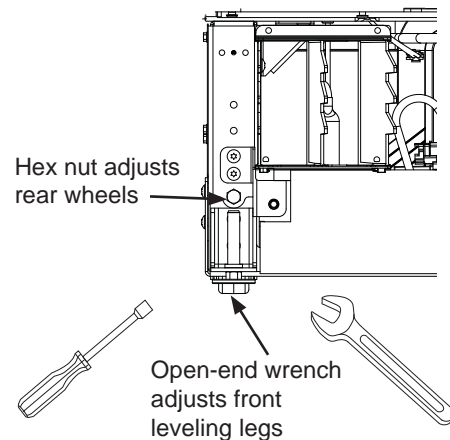
⚠ WARNING  **Electrical Shock Hazard.**

Replace waterline strain relief in front rail location as shown.

STEP 8 LEVEL UNIT

All models have 4-point leveling. The front is supported by leveling legs; the rear is supported by adjustable wheels. Both are accessible from the front of the unit.

- To level the back of the unit, turn the 7/16" hex nut located above the front wheels. Turn clockwise to raise or counterclockwise to lower the unit.
- For front leveling, use a 7/16" open-end wrench.
- Adjust height of unit to match installation cutout opening 84". The unit should be level and plumb with cabinetry.



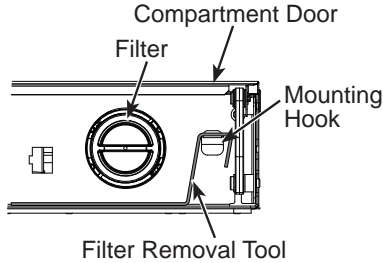
NOTICE: The rear leveling wheels and front leveling legs are limited to a maximum height adjustment of 1". If the installation requires more than 84" height, the installer should elevate the unit on a sheet of plywood or runners. Cabinetry trim could also be added across the top of the opening to shorten the opening. If you attempt to raise the unit more than 1", you will damage the front leveling legs and the rear leveling wheels.

Installation Instructions - Dual Integrated Installation

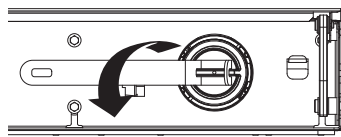
STEP 9 FINAL EXTERNAL UNIT PREPARATION

FOR FLUSH INSTALLATION: Make sure front surface of the door is 7/8" behind front face of surrounding cabinets BEFORE securing brackets to the surrounding cabinetry.

- Open the doors to the units. Locate filter and filter removal tool. Filter should be as shown.

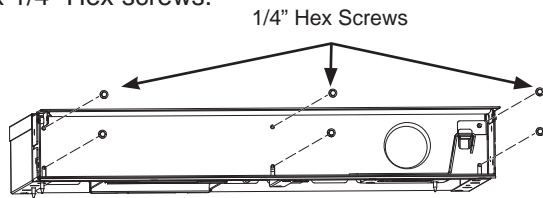


- Rotate filter 1/4 turn counterclockwise (use filter removal tool if needed).

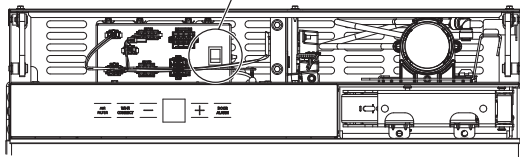


- Pull filter toward you to remove. **NOTE:** Water system will not function without filter in place.

- Make sure lights are on inside the unit. If they are not on, check to make sure the master switch is on by removing the front enclosure which is secured with six 1/4" Hex screws.



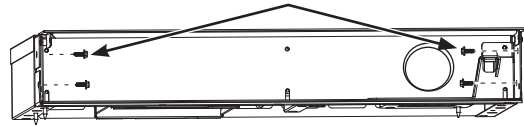
- Switch on the master switch if not on. (Master Switch Wires hidden for clarity.)



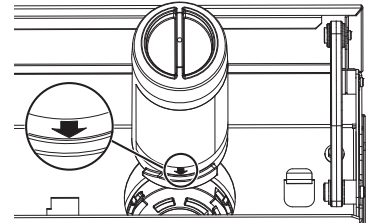
- Assemble the enclosure with removed screws.
- Pre-drill 1/16" holes in both the sides of the surround 1/2" deep through holes in the enclosure.
- Secure unit by driving four 1/4" hex screws to both sides to surrounding cabinetry. **NOTE:** This step does NOT replace the anti-tip safety hardware. Refer to Step 4 Installing Anti-Tip Bracket and Step 7 Inserting/Securing into Cabinet Surround for details on installing the anti-tip hardware. Repeat for the second unit.

STEP 9 FINAL EXTERNAL UNIT PREPARATION (Cont.)

1/4" Hex Screws

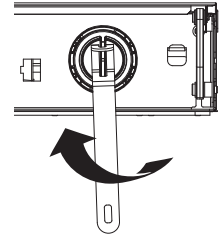


- Locate blue arrow on filter. Rotate filter to align arrow as shown.



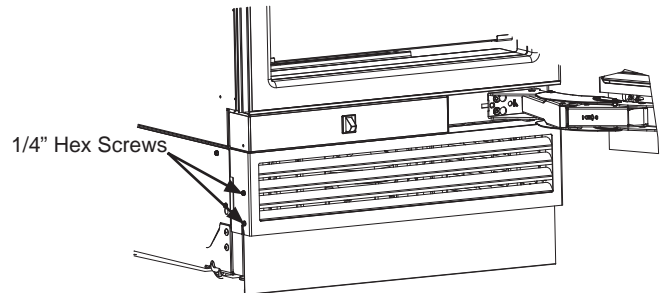
- Insert filter into position and rotate 1/4 turn clockwise (use filter removal tool if needed).

- Return filter removal tool to mounting hook.

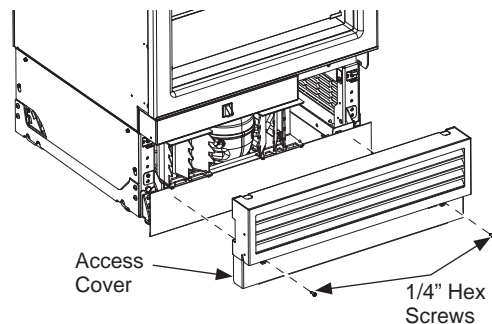


- **Close the compartment door.**

- Verify the two 1/4" hex head screws are assembled to handle side of the products for both freezer and fresh food columns.



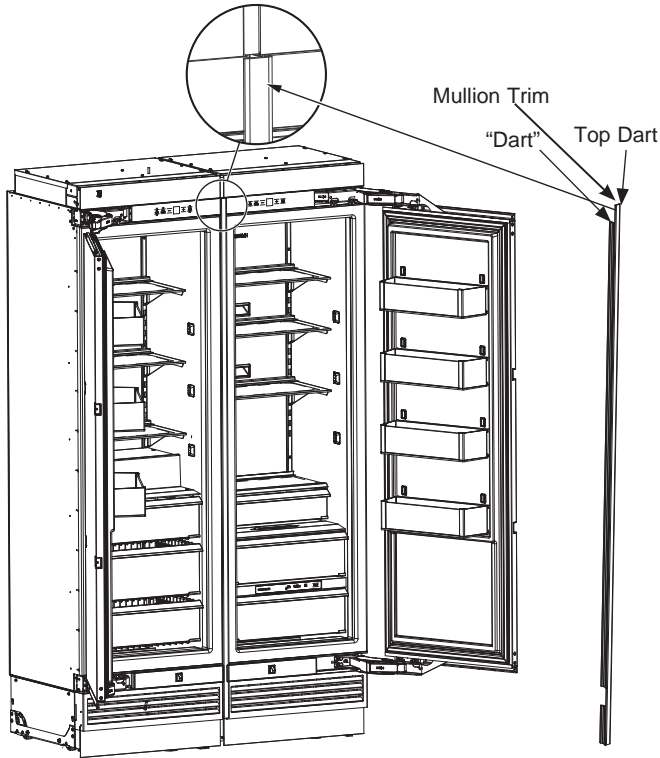
- Put the access cover back onto the unit and secure with two 1/4" hex head screws.



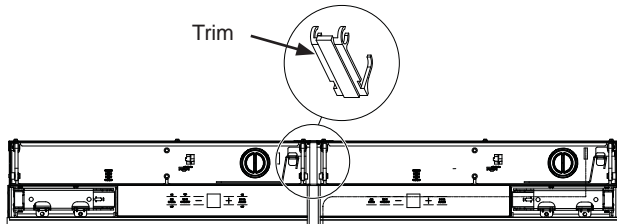
Installation Instructions - Dual Integrated Installation

STEP 9 FINAL EXTERNAL UNIT PREPARATION (Cont.)

- Install front mullion and access cover trims between the 2 units. Open the doors and the flexible dart in the area between units.
- Top dart of the mullion must align with bottom edge of the case trim.

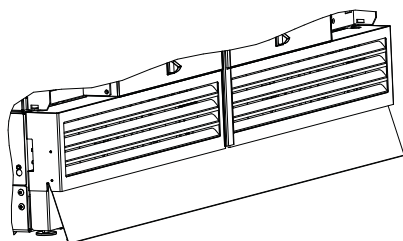


- Open both enclosure doors to 90°.
- Snap the trim bracket between the water filter access enclosures above displays.



STEP 10 TOE KICK INSTALLATION

- Insert Toe Kick into the slot in the Front Access Cover by rotating it toward you.
- Push the bottom portion of the Toe Kick towards the product and slide into place.



STEP 11 INTERNAL UNIT PREPARATION

- Remove all tape, cardboard, and foam from each unit (foam shipping supports may be located behind the left and right sides of each of the glass pan fronts on Refrigerator models).
- Remove boxed door bins from shelves.
- Unbox and install door bins.
- Install door bin mats.

STEP 12 START ICEMAKER (freezer models)

CAUTION

To minimize the risk of personal injury, avoid contact with the moving parts of the ejector mechanism, or with the heating element that releases the cubes. Do not place fingers or hands on the automatic ice making mechanism while the appliance is plugged in.

A newly-installed freezer may take 12–24 hours to begin making ice.

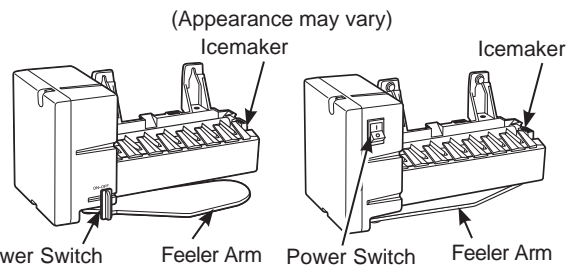
The icemaker will produce seven cubes per cycle—approximately 15 cycles in a 24-hour period, depending on freezer compartment temperature, room temperature, number of door openings and other use conditions.

If the freezer is operated before the water connection is made to the icemaker, set the power switch to **OFF**. Top wire basket must be removed to access the icemaker power switch.

When the freezer has been connected to the water supply, set the power switch to **ON**.

Throw away the first full bucket of ice to allow the water line to clear.

Be sure nothing interferes with the sweep of the feeler arm.



When the bin fills to the level of the feeler arm, the icemaker will stop producing ice.

It is normal for several cubes to be joined together.

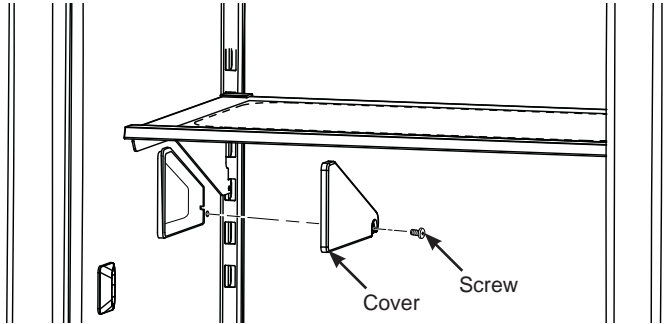
If ice is not used frequently, old ice cubes will become cloudy, taste stale and shrink.

NOTE: Icemaker works best between 40 and 120 PSI (275-827 kPa) home water pressure.

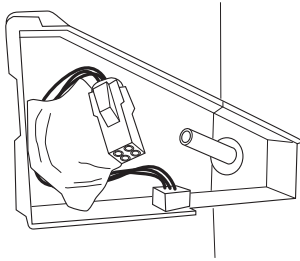
Installation Instructions - Dual Integrated Installation

STEP 13 INSTALL AUTOFILL PITCHER ASSEMBLY (Some Refrigerator Models)

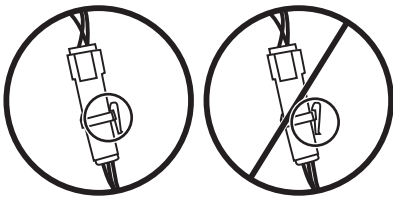
- Locate the AutoFill pitcher cover on the left side of the refrigerator's interior. Remove T20 Torx screw holding the cover in place towards the rear of the cover. Retain this screw for attachment of AutoFill assembly.



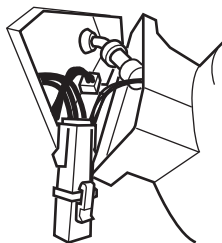
- Slide the cover forward to remove. This reveals an electrical connector and a water tube.



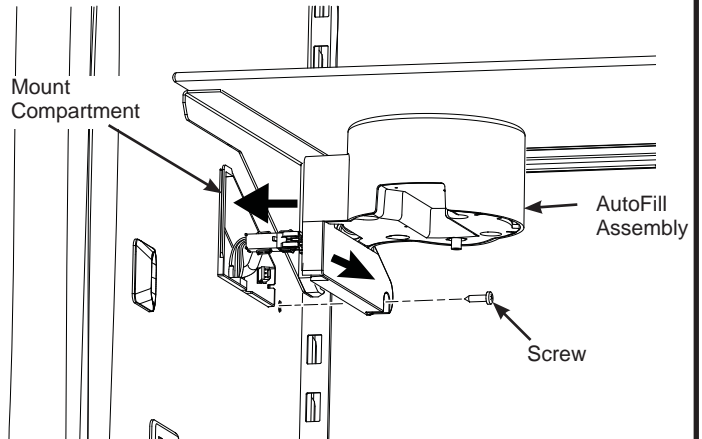
- Remove the AutoFill assembly from the box. Connect the 4 pin connector from the AutoFill assembly to the connector in the compartment wall.



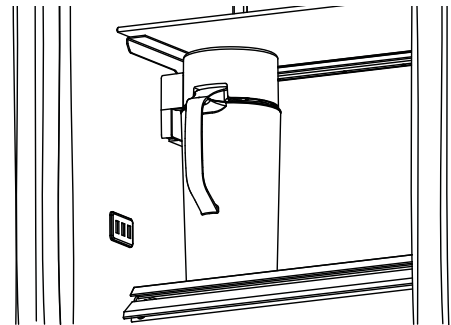
- Ensure that the locking tab on the connector is fully engaged.
- Connect the water line fitting from the AutoFill assembly to the water tube located in the compartment. Ensure the water tube is firmly connected and will not easily become unattached. Water tube should be inserted to the tubing mark.



- Conceal wires and tubing inside the wall compartment and place the AutoFill wall assembly onto the forward end of the mount until flush with the interior wall of the refrigerator. Slide the assembly toward the back wall until mounting screw hole is visible.



- Secure AutoFill assembly with the T20 Torx screw removed earlier.
- Ensure supply water is connected to the refrigerator before proceeding further.
- Align the pitcher lid to the dispenser guide and slide the pitcher toward the back of the refrigerator until it stops. There may be up to a 5 second response time before water starts to fill the pitcher.



- Water will fill the pitcher until it reaches a specified level and will then shut off. It is normal for the water level to be below the top of the pitcher.

NOTE: After installing the AutoFill pitcher, run 2 gallons of water (approximately 5 full pitchers) through the AutoFill dispenser to remove air from the system. A newly installed filter cartridge will cause water to spurt and dribble until the air is out of the system. It is normal for water to appear discolored during the initial system flush. Water color will return to normal after the first minutes of dispensing. Wash the AutoFill pitcher and lid following the initial flush before using.

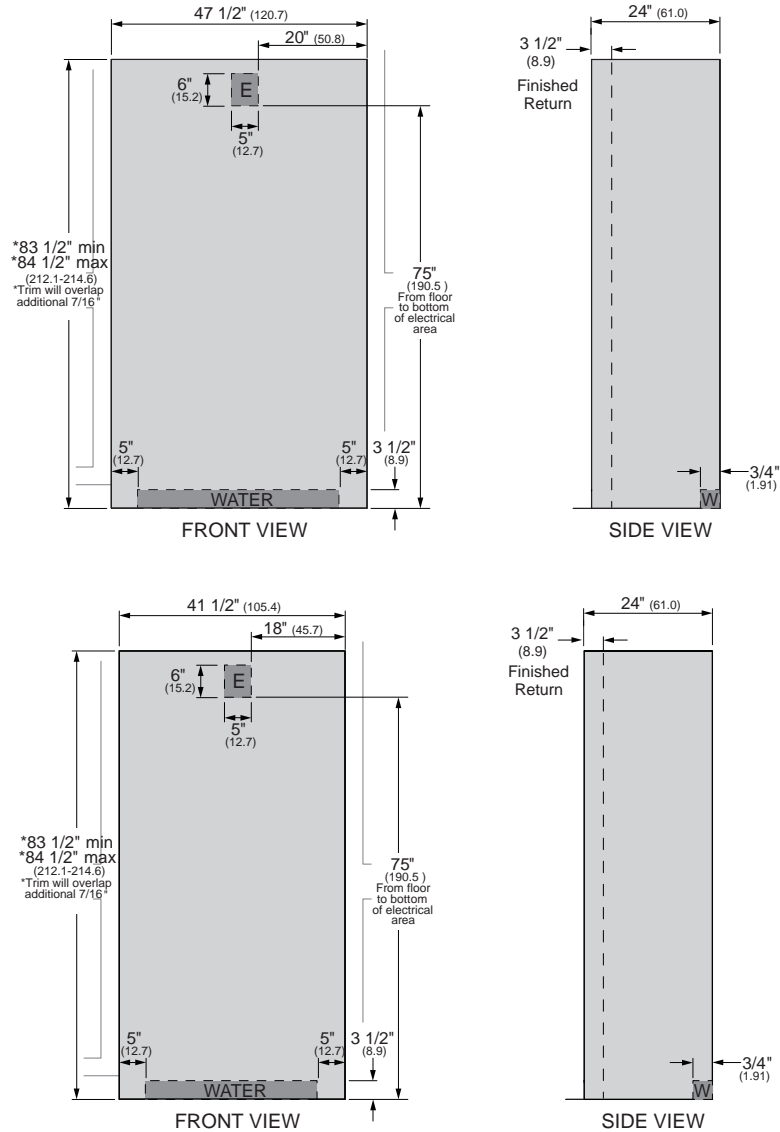
NOTE: Do not place the pitcher in the dispenser guide before the water connection is made to the refrigerator.

Instructions for Dual Retro-Fit Installation
Existing construction installation with 24” deep openings
that are 41-1/2” or 47-1/2” wide

Design Guide - Dual Retro-Fit Installation

DUAL RETRO-FIT INSTALLATION SPACE

Dimensions in parentheses are in centimeters.



Water And Electrical Locations

Electrical and water supply must be located as shown.

For 24" Deep Cutouts

Trim Retro kits are required for a 41.5" (ZKR42N) or a 47.5" (ZKR48N) wide opening.

Heater Unification Kit ZKUN required

Product Clearances

These units are equipped with a 2-position door stop. The factory set 115° door swing can be adjusted to 90° if clearance to adjacent cabinets or walls is restricted.

For a 90° door swing, allow 4" (10.2 cm) minimum clearance to a wall.

When installed in a corner, allow 15" (38.1 cm) for a full 115° door swing on 18" and 24" models. Allow 16-1/2" (41.9 cm) on 30" models.

Additional Specifications

- A separate 115 volt 60Hz., 15 or 20 amp power supply is recommended for each product. An individual properly grounded branch circuit or circuit breaker is recommended. Install a properly grounded 3-prong electrical receptacle recessed into the back wall. Electrical must be located on rear wall as shown.
- Water line must be located on the back wall as shown. The water line should be 1/4" O.D. copper tubing or QuickConnect™ kit (WX08X10006) between the cold water line and water connection location, long enough to extend to the front of the unit (8' [2.4m]). Installation of an easily accessible shut-off valve in the water line is required.

Installation Instructions - Dual Retro-Fit Installation

REFRIGERATOR/FREEZER LOCATION

- Do not install the refrigerator/freezer where the temperature will go below 55°F (13°C). It will not run often enough to maintain proper temperatures.
- Do not install the refrigerator/freezer where temperatures will go above 100°F (37°C). It will not perform properly.
- Do not install the refrigerator/freezer in a location exposed to water (rain, etc.) or direct sunlight.
- Install it on a floor strong enough to support it fully loaded.

TOOLS AND MATERIALS REQUIRED

- Metal shears
- #1, #2 Phillips screwdriver
- Flathead screwdriver
- Putty knife
- Measuring tape
- Drill and 1/16", 5/64", 3/16", 1/2" bits
- 5/32" concrete bit (if installing anti-tip into concrete)
- 1/4", 3/8", 7/16" driver/socket
- 7/16" open wrench
- T10, T20, T30 driver/bit
- 1/8", 1/4" hex driver (allen wrench)
- Level
- Water shut-off valves (optional but recommended)
- 8' waterline (one per unit requiring water hookup)
- Masking tape
- Rubbing alcohol
- Adjustable wrench
- Center punch
- Heater Unification Kit (ZKUN)
- Stainless Steel Door Kits (if applicable)
- Custom panels for doors (if applicable)
- Handle Kits (if applicable)
- Small Ratchet
- 42" (ZKR42N) or 48" (ZKR48N) Trim Retro Kit
- 42" (ZKK42P) or 48" (ZKK48P) Stainless Steel Toe Kick

HARDWARE SUPPLIED (per unit)

- Water Filter Bypass Plug (if equipped)
- Air filter (if equipped)
- Anti-Tip bracket
- 3 Lag screws
- 3 Tapcon screws
- 3 Toggles with bolts
- Panel installation templates
- 2 Door trims
- 2 Door panel brackets
- Set screws
- #6 Phillips head wood screws
- Door Bracket Cover Top
- T30 screws
- 1 Hinge limiter pin
- Center door panel bracket
- Hi-Lo screw and square washer
- Access Cover
- Painted access cover screws
- T10 screws

GROUNDING THE UNIT

⚠ WARNING



Electrical Shock

Hazard. Failure to follow these instructions can result in death, fire, or electrical shock.

The power cord of this appliance is equipped with a 3-prong (grounding) plug which mates with a standard 3-prong (grounding) wall receptacle to minimize the possibility of electric shock hazard from this appliance. Have the wall outlet and circuit checked by a qualified electrician to make sure the outlet is properly grounded.

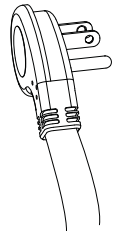
Where a standard 2-prong wall outlet is encountered, it is your personal responsibility and obligation to have it replaced with a properly grounded 3-prong wall outlet.

DO NOT, UNDER ANY CIRCUMSTANCES, CUT OR REMOVE THE THIRD (GROUND) PRONG

FROM THE POWER CORD.

DO NOT USE AN ADAPTER PLUG TO CONNECT THE REFRIGERATOR TO A 2-PRONG OUTLET.

DO NOT USE AN EXTENSION CORD WITH THIS APPLIANCE.



FLOORING

For proper installation, this product must be placed on a level surface of hard material that is at the same height as the rest of the flooring. This surface should be strong enough to support a fully loaded refrigerator or freezer, or approximately 1,200 lbs. per unit.

NOTE: Protect the finish of the flooring.

NOTE: Not recommended for installation on carpeted flooring.

Installation Instructions - Dual Retro-Fit Installation


KIT ZKUN PARTS SUPPLIED:

Adhesive Heater
 Transformer
 Front Mullion
 Trim Bracket
 Top Unification Bracket
 Bottom Front Unification Bracket
 3 1/4" Hex Head 8-18 5/8" Long Screws
 5 1/4" Hex Head 8-32 5/8" Long Screws
 5 3/8" Hex Head 1/4-20 1/2" Long Screws
 4 wire clips

Tools and Materials Required:

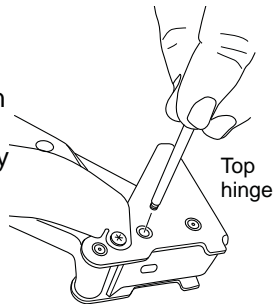
1/4" and 3/8" driver / sockets
 #2 Phillips screwdriver
 Rubbing alcohol

STEP 1 REMOVE PACKAGING

⚠ WARNING  **Tip Over Hazard.** This appliance is top heavy. Use extreme caution with moving to prevent tipping over which could result in death or serious injury.

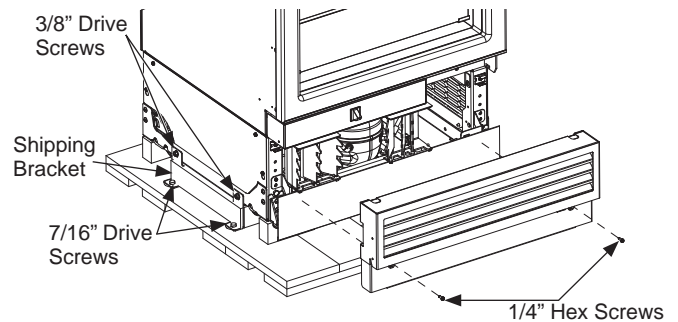
- Remove outer carton and external packing from units.
- Inspect for damage.
- If installation will require the door swing to be reversed, follow the instructions in Reversing the Door Swing section to reverse the door swing **BEFORE** the unit is removed from the shipping skid.
- Ensure the flooring that the units are set is clean/free of debris that could be collected on to, or pinched in front of the wheels and damaging the floor. Additionally, it is recommended that the floor be protected with a plastic covering through out the installation process.
- Remove hardware kit from top drawer.
- If installation requires a 90° door opening, the hinge limiter pin must be installed in the top hinge **BEFORE** the unit is removed from the shipping skid. Pin is located in the hardware kit.

- Open the door approximately 45°, but no wider than 90°, to expose the hole in the back hinge bracket and install the limiting pin. Pin must be fully seated in the bracket or the door will not close properly.



STEP 1 REMOVE PACKAGING (Cont.)

- Remove front access cover from unit by removing two 1/4" Hex Screws (some models have access cover in a box on the left side of the cabinet). Place the cover and screws to the side for future installation.
- Remove three 3/8" drive screws and two 7/16" drive screws from each side of the unit to release it from the shipping skid. Tip the unit from the side enough to remove the shipping material from under the unit, but above the shipping skid (both sides)
- **CAREFULLY** roll the unit off the back side of the shipping skid.
- Handle from side only with a hand truck.



STEP 2 INSTALL WATER LINE

⚠ WARNING Connect to potable water supply only. A cold water supply is required for automatic icemaker operation. The water pressure must be between 40 and 120 psi (275-827 kilopascals).

⚠ WARNING  **ELECTRIC SHOCK HAZARD**
 Attach tubing clamp using existing hole only. **DO NOT** drill into the refrigerator.

- A cold water supply is required for automatic icemaker and AutoFill pitcher operation. The water pressure must be between 40 and 120 p.s.i. (275-827 kPa).

Shut off the main water supply.

Turn on the nearest faucet long enough to clear the line of water.

- Install a shut-off valve between the water valve and cold water pipe in a basement or cabinet. **The shut-off valve should be located where it will be easily accessible.**
- Turn on the main water supply and flush debris. Run about a quart of water through the tubing into a bucket. Shut off water supply at the shut-off valve.

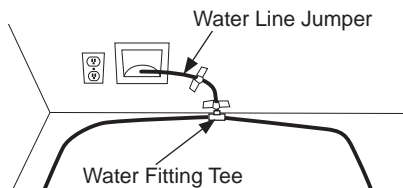
Installation Instructions - Dual Retro-Fit Installation

STEP 2 INSTALL WATER LINE (Cont.)

NOTE: Saddle type shut-off valves are included in many water supply kits. Before purchasing, make sure a saddle type valve complies with your local plumbing codes.

NOTE: Commonwealth of Massachusetts Plumbing Codes 248CMR shall be adhered to. Saddle valves are illegal and use is not permitted in Massachusetts. Consult with your licensed plumber.

- Connect the jumper water line from the ZKR42N or ZKR48N Trim Retro Kit to the house cold water line. Tighten the compression nut hand tight, then tighten one additional turn with a wrench. Overtightening can cause leaks!
- Connect the other end of the jumper water line to the water fitting tee supplied in the trim retro kit. Tighten the compression nut hand tight, then tighten one additional turn with a wrench. Overtightening can cause leaks!



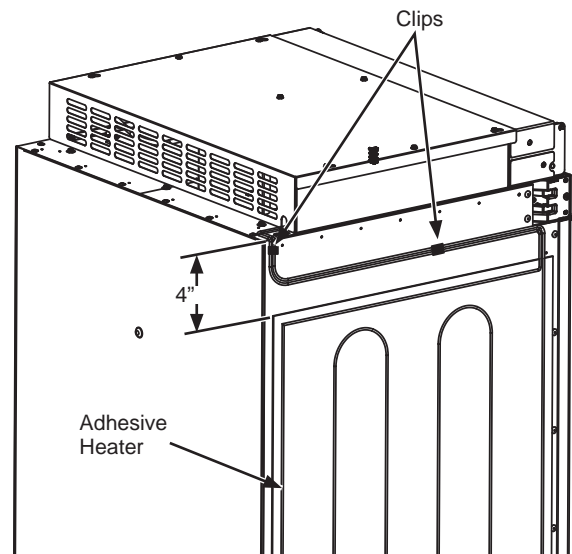
- Route 1/4" OD copper or SmartConnect™ (WX08X10006) plastic tubing between water fitting tee and the water connection location at the front of the unit.
SmartConnect™ Refrigerator Tubing Kits are available. One 8' (2.4m) water line (WX08X10006) is needed for each unit.
- Tubing should be long enough to extend to the front of the unit. Allow enough tubing to accommodate bend leading into the water line connection. Unit must be tipped on its side to route waterline underneath and to the front of the appliance.

NOTE: The only GE Appliances approved plastic tubing is supplied in the SmartConnect™ Refrigerator Tubing kits. Do not use any other plastic water supply line because the line is under pressure at all times. Other types of plastic may crack or rupture with age and cause water damage to your home.

- Tape the jumper waterline and water fitting tee to the back wall. The waterlines will be taped to the floor using masking tape after anti-tip bracket installation.

STEP 3 PREPARING UNIT FOR INSTALLATION

- Unpack the heater Unification Kit (ZKUN) and make sure all of the components on the list are included.
- NOTE:** Ensure the heater connector cord is toward the top of the unit when installed.
- Place the right hand unit in front of the installation opening in a way that the unit is in front of the intended installed location.
 - Install adhesive heater on the outside of the unit to the left side of the case. Install heater 4" below the case top. Heater should be centered front to back on the metal case.



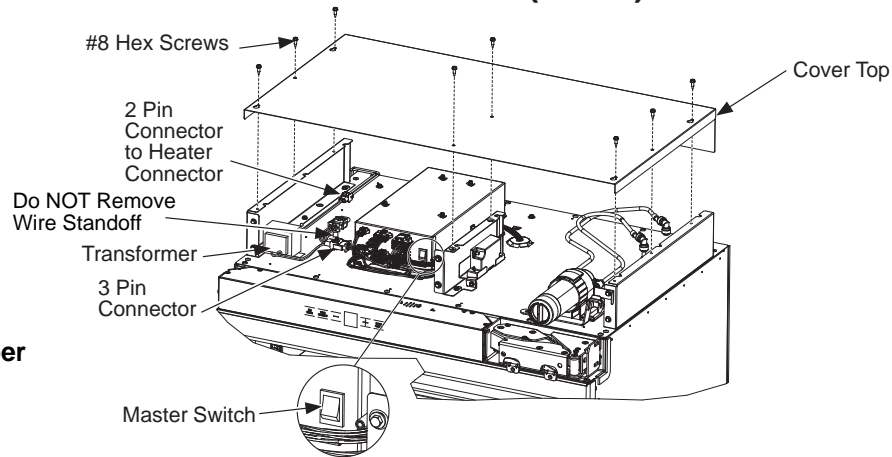
⚠ WARNING **Electrical Shock**

Hazard. To avoid the risk of electric shock, make sure the power cord is not plugged into the wall outlet.

- Install the transformer into the case top assembly:
 1. Remove cover top by removing eight #8 hex screws and keep aside for assembling back the cover top.
 2. Place the transformer into the case top provided in ZKUN kit and secure it with the existing (1/4") hex screws to left front of case top.
 3. Connect the 2 pin transformer connector to the heater connector and 3 pin connector to panel control, make sure locking tabs are engaged.
 4. **NOTE:** Verify the master switch is on.
 5. Assemble the cover top with screws save from previous step.

Installation Instructions - Dual Retro-Fit Installation

STEP 3 PREPARING UNIT FOR INSTALLATION (Cont.)



Enclosure assembly upper is hidden for clarity.

STEP 4 INSTALL ANTI-TIP BRACKET

⚠ WARNING



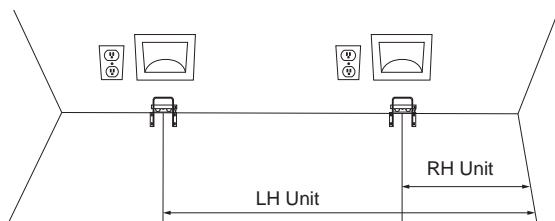
Tip Over Hazard.

These appliances are top heavy, especially with any doors open, and must be secured to prevent tipping forward which could result in death or serious injury. Read and follow the entire installation instructions for securing the appliance with the anti-tip system.

- Remove the anti-tip bracket from the hardware kit.
- Anti-tip bracket should be mounted against the back wall or up to 27" (68.6 cm) maximum from front of opening. Use floor mounting method if the bracket is not against a wall (bracket hardware is provided for mounting into wood, steel studs and concrete).

LH Unit			RH	UNIT
18"	24"	30"		
26-5/8" 67.6 cm	23-1/2" 59.7 cm	23-1/2" 59.7 cm	8-7/8" 22.5 CM	18"
32-5/8" 82.8 cm	29-1/2" 74.9 cm	29-1/2" 74.9 cm	5-3/4" 14.5 CM	24"
38-5/8" 98.1 cm	35-1/2" 90.1 cm	35-1/2" 90.1 cm	5-3/4" 14.5 CM	30"

- Measure and mark from the RH side of the opening per the table above depending on the size of the RH unit you are installing.



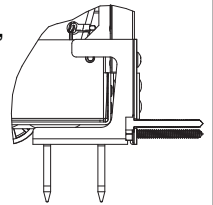
- Measure and mark again from the RH side of the opening per the table and depending on your combination of LH and RH units.
For example, if installing an 18" LH unit and a 30" RH unit, use 5-3/4" and 38-5/8".

- Mount the anti-tip bracket centered about the marks and flush to the floor as shown. Mark 3 holes for wall mounting or 4 holes for floor mounting.

WOOD MOUNTING: Predrill with 3/16" drill bit, 2" deep, then install lag bolts with a 7/16" driver.

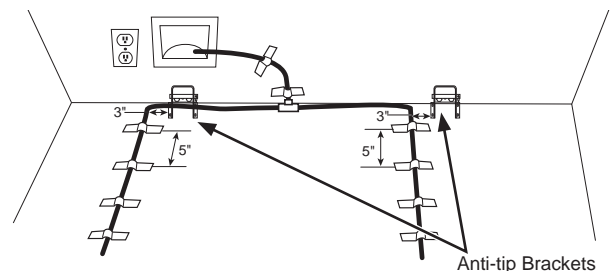
CONCRETE MOUNTING: Predrill with a 5/32" concrete bit, 2" deep, then install tapcon screws with a 7/16" driver.

STEEL MOUNTING: Predrill with a 1/2" drill bit, insert toggle, then install bolts with a 7/16" driver.



The bracket must be screwed to either the FLOOR or REAR WALL.

- The anti-tip bracket should be secured to the floor 23" from the front of the enclosure.
- Tape the waterline to the floor approximately 3" to the left of the anti-tip bracket. Apply tape about every 5" toward the front of the opening (tape will prevent the unit from rolling over the waterline during installation). Do not tape near the cabinet front in order to keep tape hidden under the unit.

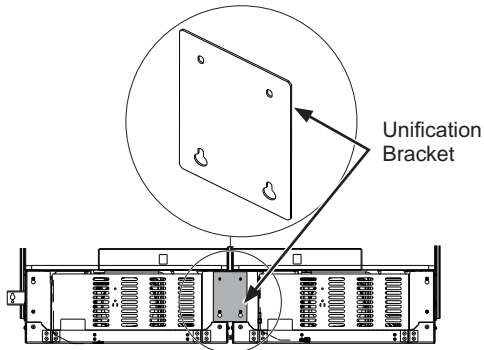


Installation Instructions - Dual Retro-Fit Installation

STEP 5 JOINING DUAL INSTALLED UNITS

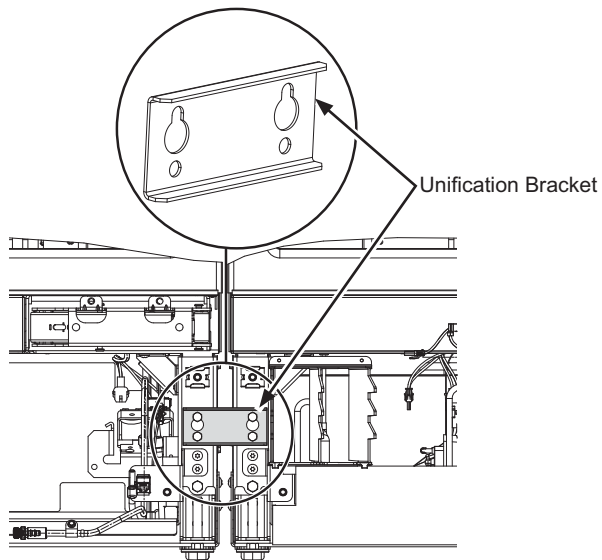
BOTTOM BACK UNIFICATION

- Loosen the two bottom screws of rear access covers of both units and remove the top screws.
- Hang the unification bracket to the bottom screws and reassemble the screws at the top
- Tighten screws to tie units together.



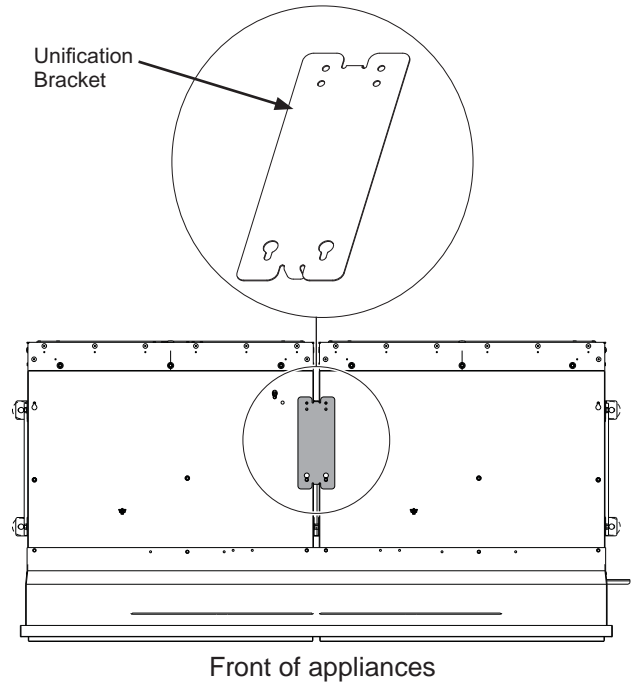
BOTTOM FRONT UNIFICATION

- Install the bottom front unification bracket using a 3/8" driver (4 screws).



TOP UNIFICATION

- Loosen the middle two screws, remove the two rear screws.
- Assemble the bracket to the middle screws and reassemble the rear screws.
- Tighten screws to tie units together.



Installation Instructions - Dual Retro-Fit Installation

STEP 5 JOINING DUAL INSTALLED UNITS (Cont.)

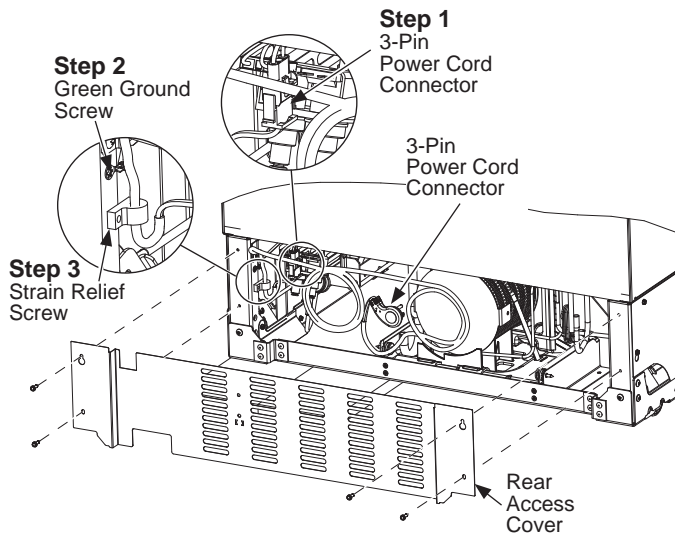
CHANGE POWER CORD

Longer power cords are required for retro fit installation. Power cords are included in 42" ZKR42N and 48" ZKR48N.

Replace power cords on both units. Both units can be plugged into the same electrical supply receptacle.

Remove existing short power cord with string assembly:

- Remove 1/4" hex screws attaching rear access cover.
 1. Unplug 3-pin power cord connector inside the machine compartment (press on sides to release locking tabs).
 2. Remove power cord green ground 1/4" hex screw.
 3. Remove strain relief 1/4" hex screw.



Install new longer power cord:

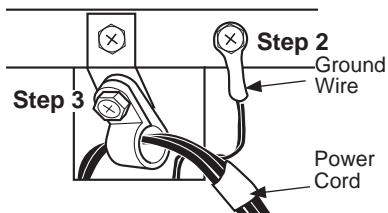
1. Plug in the 3-pin connector (make sure locking tabs are engaged).
2. Install the power cord green ground screw.
3. Install the power cord strain relief.

⚠ WARNING Electrical Shock Hazard.

To avoid the risk of electric shock, make sure to re-install the ground screw after changing the power cord.

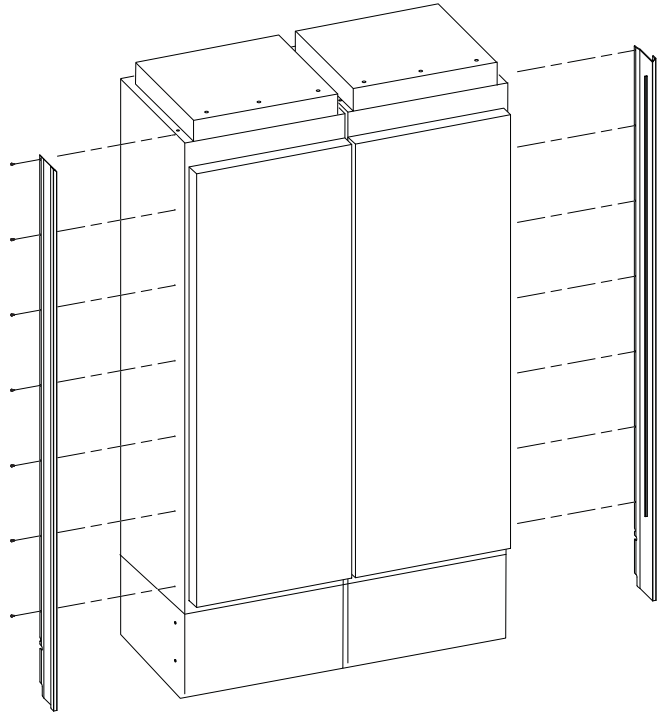
- Replace rear access cover. Make sure the power cord and ground wire are properly routed through the access cover cut-out.

Repeat all steps for second unit.

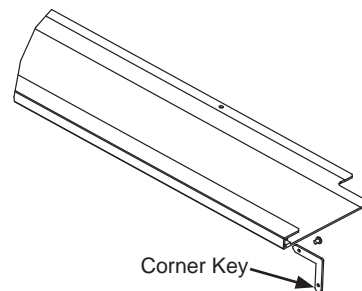


CASE TRIM INSTALLATION

- Install the trim kit side rails to the exposed right and left case walls using the provided #8 Phillips head screws - 7 screws per side.



- Pre-assemble the trim kit top rail and corner keys. One corner key should be installed to each end of the top trim. Use the provided #6 Phillips head screw in the corner key to ensure that the key is snugly fit to the top trim, but be sure not to overtighten the screw to prevent damage to the parts.

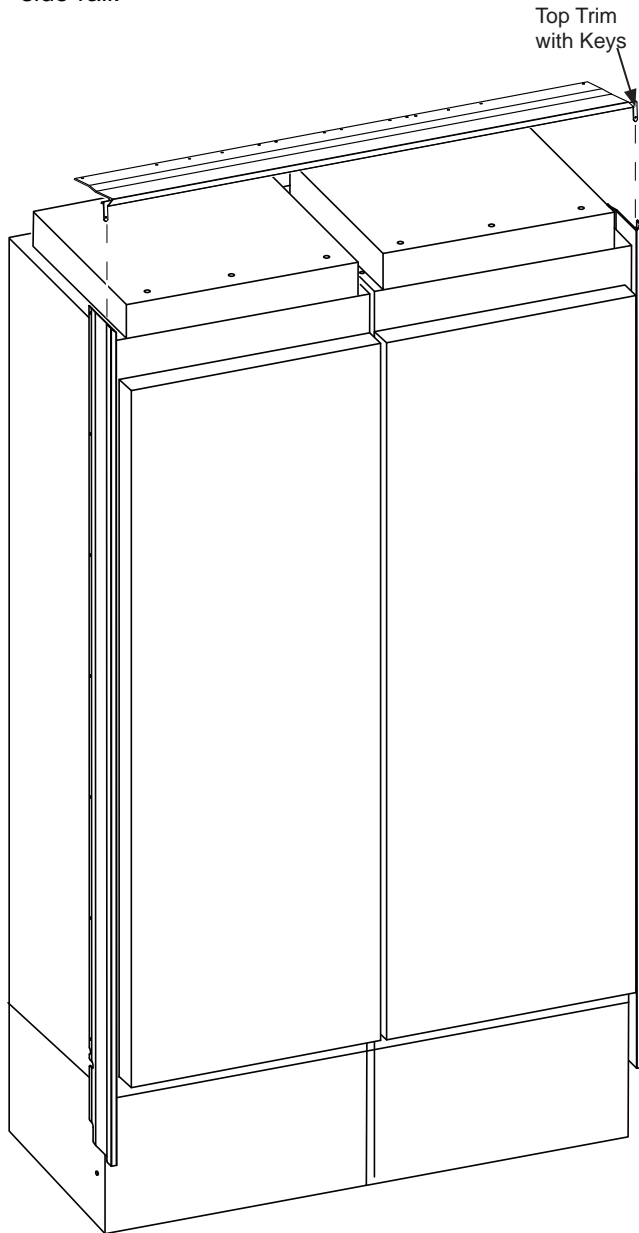


Installation Instructions - Dual Retro-Fit Installation

STEP 5 JOINING DUAL INSTALLED UNITS (Cont.)

CASE TRIM INSTALLATION


- Fit the top trim and side trim rails together by sliding the exposed edges of the corner trim into the right and left trim kit side rails. Press downward on the top trim until each corner key is fully seated in each side rail. Use the provided #6 Phillips head screws to ensure each corner key is snugly fit to each trim kit side rail.

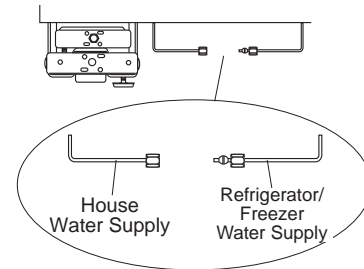


- Secure the top trim to the case by using the provided #8 Phillips head screws (6 screws).

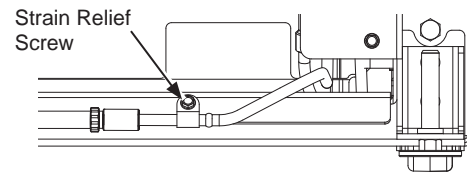
STEP 6 CONNECTING WATER SUPPLY

⚠ WARNING Connect to potable water supply only. A cold water supply is required for automatic icemaker operation. The water pressure must be between 40 and 120 psi (275-827 kilopascals).

⚠ WARNING  **ELECTRIC SHOCK HAZARD**
Attach tubing clamp using existing hole only. DO NOT drill into the refrigerator.



- Locate and bring the tubing to the front of the cabinet.
- Turn the water on to flush debris from the line. Run about a quart of water through the tubing into a bucket, then shut off the water.
- Remove strain relief screw to allow for enough slack to make a proper water connection. (Screw must be replaced in the next step.)



Copper Tubing:

- Slip a 1/4" nut and ferrule (provided) over both ends of the copper tubing. Insert the tube into the union fitting on the unit and tighten the nut to the union.
- Turn on the water to check for leaks.

SmartConnect™ Tubing:

NOTE: The only GE Appliances-approved plastic tubing is supplied in the SmartConnect™ Refrigerator Tubing kits. Do not use any other plastic water supply line because the line is under pressure at all times. Other types of plastic may crack or rupture with age and cause water damage to your home.

- Insert the molded end of the tubing into the refrigerator or freezer connection. Tighten the compression nut until it is just hand-tight.
- Follow the instructions provided with the tubing. Overtightening can cause leaks!
- Turn on the water to check for leaks.

Installation Instructions - Dual Retro-Fit Installation

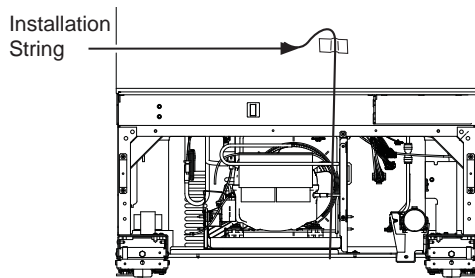
STEP 7 INSERTING/SECURING INTO CABINET SURROUND

- Plug both units to the outlet in the wall.

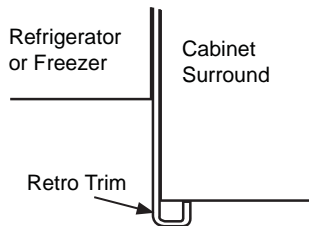
⚠ WARNING **Electrical Shock Hazard.**

To reduce the risk of electrical shock, be careful during the remaining installation steps not to touch wiring or electrical components inside the compressor compartment while the appliance is plugged in and the front access cover is not in place.

- Find the installation string that is attached to the door of the unit; this is to be used as you are pushing the unit back into the opening. The string is attached to the power cord; as you walk the unit back into the opening you should pull the string tight to make sure the power cord is routed underneath the unit.



- Slowly walk both units into opening making sure not to touch the cabinetry on the sides and top to prevent damage. The back side of the top and side retro trims should be touching the cabinet surround when the units are pushed back.



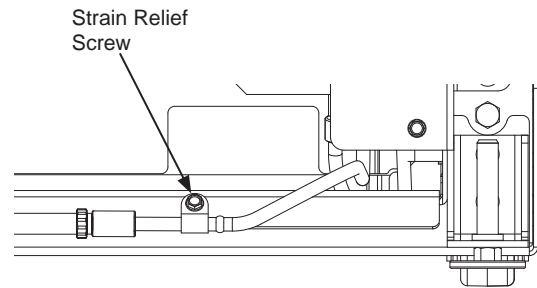
⚠ WARNING **Tip Over Hazard.**

These appliances are top heavy, especially with any doors open, and must be secured to prevent tipping forward which could result in death or serious injury.

- Place power cord on its edge and pull under product between rollers and away from the anti-tip bracket to ensure cord is not damaged during installation.
- As you walk the unit back into the opening, you should pull the string tight to make sure the power cord is routed underneath the unit.



- Replace the waterline strain relief screw.



- Store the excess strapping, string, and water tubing under the unit.

⚠ WARNING **Electrical Shock Hazard.**

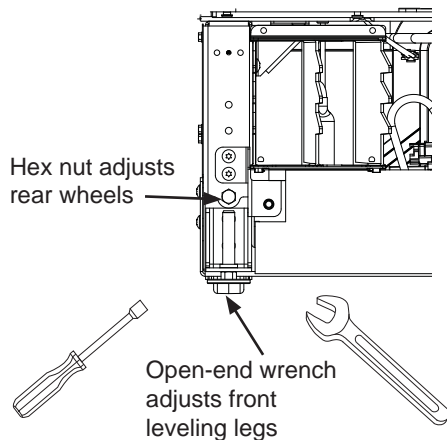
Replace waterline strain relief in front rail location as shown.

Installation Instructions - Dual Retro-Fit Installation

STEP 8 LEVEL UNIT

All models have 4-point leveling. The front is supported by leveling legs; the rear is supported by adjustable wheels. Both are accessible from the front of the unit.

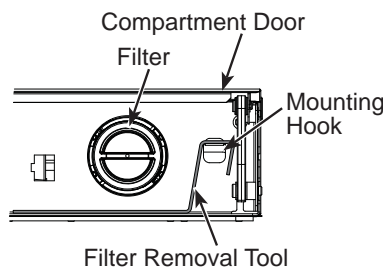
- To level the back of the unit, turn the 7/16" hex nut located above the front wheels. Turn clockwise to raise or counterclockwise to lower the unit.
- For front leveling, use a 7/16" open-end wrench.
- Adjust height of unit to match installation cutout opening 84". The unit should be level and plumb with cabinetry.



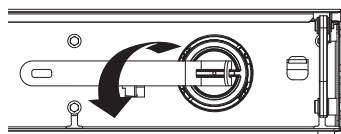
NOTICE: The rear leveling wheels and front leveling legs are limited to a maximum height adjustment of 1". If the installation requires more than 84" height, the installer should elevate the unit on a sheet of plywood or runners. Cabinetry trim could also be added across the top of the opening to shorten the opening. If you attempt to raise the unit more than 1", you will damage the front leveling legs and the rear leveling wheels.

STEP 9 FINAL EXTERNAL UNIT PREPARATION

- Open the doors to the units. Locate filter and filter removal tool. Filter should be as shown.

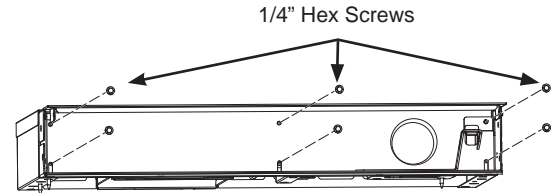


- Rotate filter 1/4 turn counterclockwise (use filter removal tool if needed).
- Pull filter toward you to remove. **NOTE:** Water system will not function without filter in place.

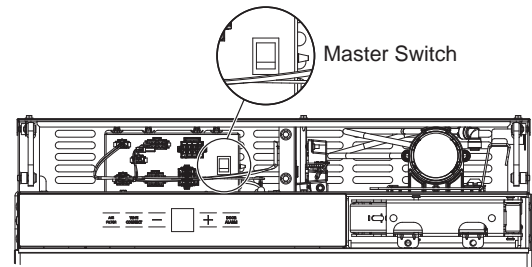


STEP 9 FINAL EXTERNAL UNIT PREPARATION (Cont.)

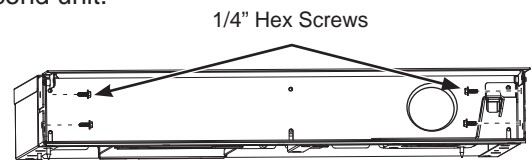
- Make sure lights are on inside the unit. If they are not on, check to make sure the master switch is on by removing the front enclosure which is secured with six 1/4" Hex screws.



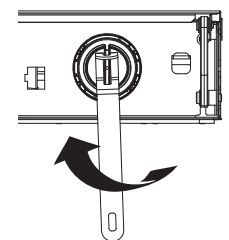
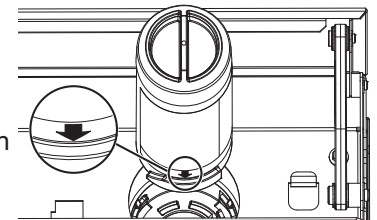
- Switch on the master switch if not on. (Master Switch Wires hidden for clarity.)



- Assemble the enclosure with removed screws.
- Pre-drill 1/16" holes in both the sides of the surround 1/2" deep through holes in the enclosure.
- Secure unit by driving four 1/4" hex screws to both sides to surrounding cabinetry. **NOTE:** This step does NOT replace the anti-tip safety hardware. Refer to Step 4 Installing Anti-Tip Bracket and Step 7 Inserting/Securing into Cabinet Surround for details on installing the anti-tip hardware. Repeat for the second unit.



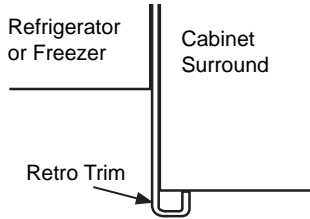
- Locate blue arrow on filter. Rotate filter to align arrow as shown.
- Insert filter into position and rotate 1/4 turn clockwise (use filter removal tool if needed).
- Return filter removal tool to mounting hook.
- **Close the compartment door.**



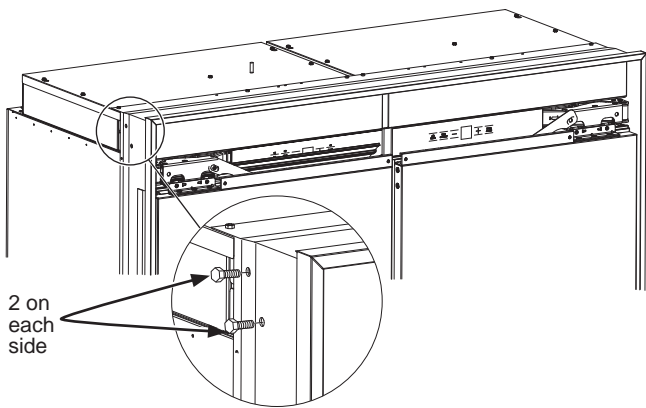
Installation Instructions - Dual Retro-Fit Installation

STEP 9 FINAL EXTERNAL UNIT PREPARATION (Cont.)

- For proper case placement after leveling, the back side of the top and side retro trims should be flush with the cabinet surround on all sides.



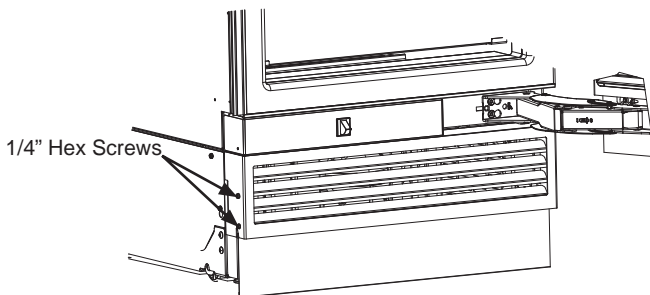
- Secure the trims to the surrounding cabinets to reduce excess movement to the top of the case during normal operation.



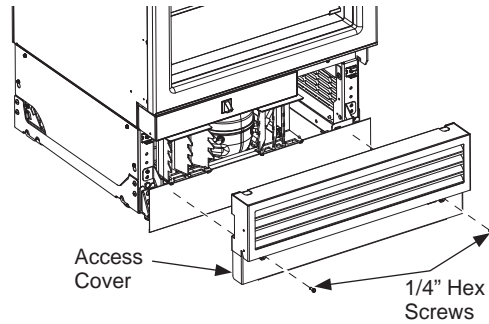
1. Drill 1/16" pilot holes in the trim 1/2" deep (2 per side, see figure for approximate locations).
2. Drive #6 Phillips head wood screws into the pilot holes.

NOTE: This step does NOT replace the anti-tip safety hardware. Refer to Step 4 Installing Anti-Tip Bracket and Step 7 Inserting/Securing into Cabinet Surround for details on installing the anti-tip hardware. Repeat for the second unit.

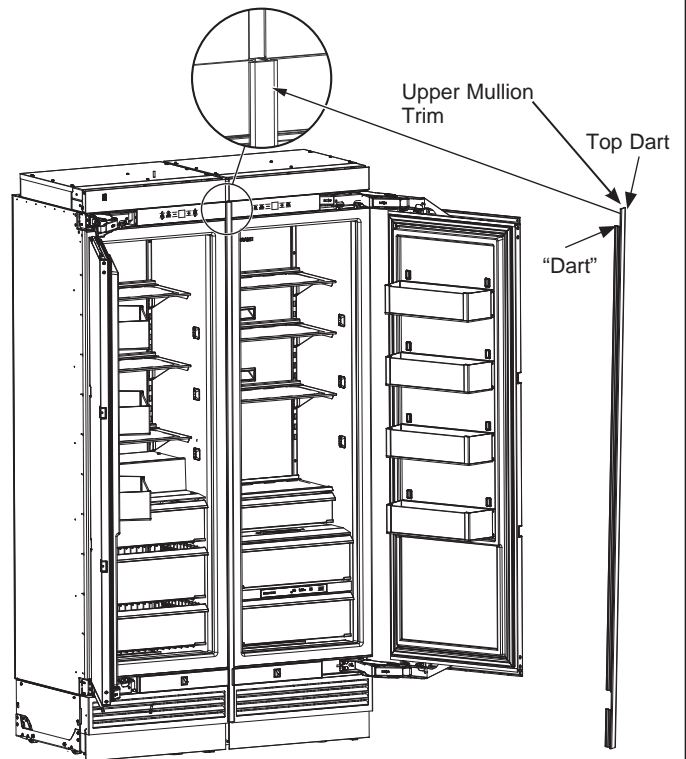
- Verify the two 1/4" hex head screws are assembled to handle side of the products for both freezer and fresh food columns.



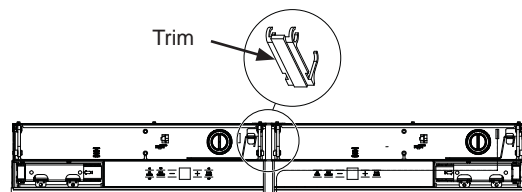
- Put the access cover back onto the unit and secure with two 1/4" hex head screws.



- Install front mullion trim between the two units. Open Doors and push the flexible dart in the area between units.



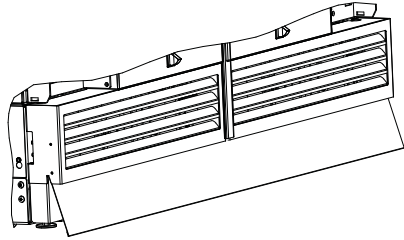
- Top dart of the mullion must align with bottom edge of the case trim.
- Open both water filter access doors to 90°.
- Snap the trim bracket between the water filter access enclosures above displays.



Installation Instructions - Dual Retro-Fit Installation

STEP 10 TOE KICK INSTALLATION

- Insert Toe Kick into the slot in the Front Access Cover by rotating it toward you.
- Push the bottom portion of the Toe Kick towards the product and slide into place.



STEP 11 INTERNAL UNIT PREPARATION

- Remove all tape, cardboard, and foam from each unit (foam shipping supports may be located behind the left and right sides of each of the glass pan fronts on Refrigerator models).
- Remove boxed door bins from shelves.
- Unbox and install door bins.
- Install door bin mats.

STEP 12 START ICEMAKER (freezer models)

⚠ CAUTION

To minimize the risk of personal injury, avoid contact with the moving parts of the ejector mechanism, or with the heating element that releases the cubes. Do not place fingers or hands on the automatic ice making mechanism while the appliance is plugged in.

A newly-installed freezer may take 12–24 hours to begin making ice.

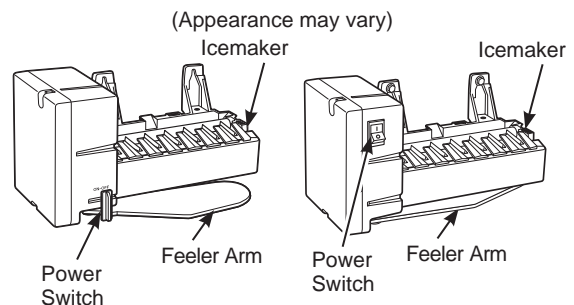
The icemaker will produce seven cubes per cycle—approximately 15 cycles in a 24-hour period, depending on freezer compartment temperature, room temperature, number of door openings and other use conditions.

If the freezer is operated before the water connection is made to the icemaker, set the power switch to **OFF**. Top wire basket must be removed to access the icemaker power switch.

When the freezer has been connected to the water supply, set the power switch to **ON**.

Throw away the first full bucket of ice to allow the water line to clear.

Be sure nothing interferes with the sweep of the feeler arm.



When the bin fills to the level of the feeler arm, the icemaker will stop producing ice.

It is normal for several cubes to be joined together.

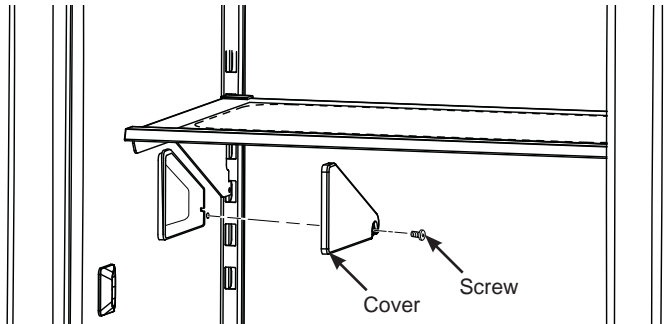
If ice is not used frequently, old ice cubes will become cloudy, taste stale and shrink.

NOTE: Icemaker works best between 40 and 120 PSI (275-827 kPa) home water pressure.

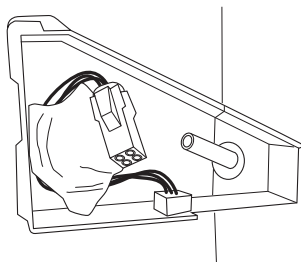
Installation Instructions - Dual Retro-Fit Installation

STEP 13 INSTALL AUTOFILL PITCHER ASSEMBLY (Some Refrigerator Models)

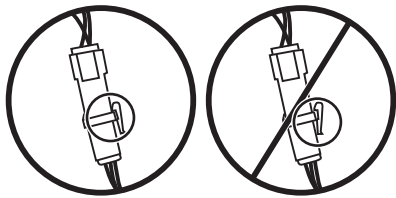
- Locate the AutoFill pitcher cover on the left side of the refrigerator's interior. Remove T20 Torx screw holding the cover in place towards the rear of the cover. Retain this screw for attachment of AutoFill assembly.



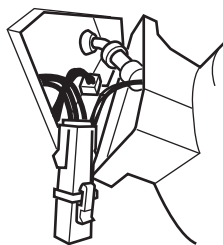
- Slide the cover forward to remove. This reveals an electrical connector and a water tube.



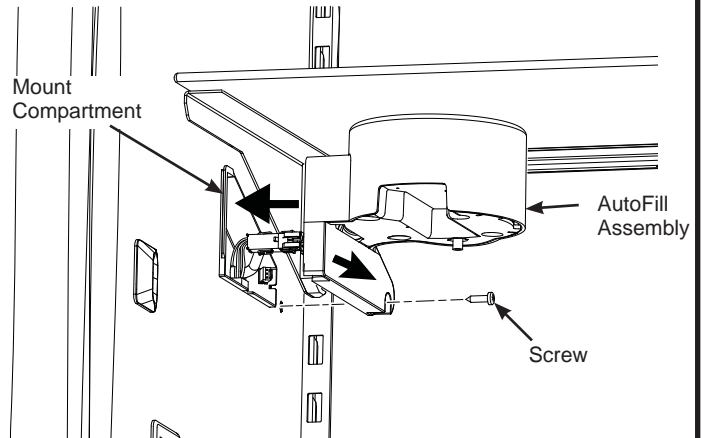
- Remove the AutoFill assembly from the box. Connect the 4 pin connector from the AutoFill assembly to the connector in the compartment wall.



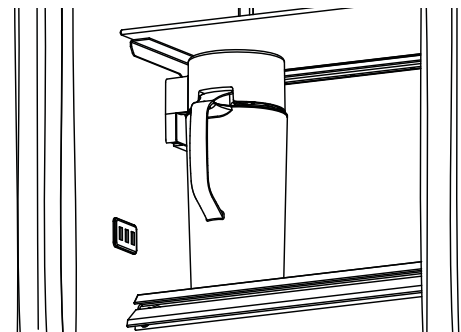
- Ensure that the locking tab on the connector is fully engaged.
- Connect the water line fitting from the AutoFill assembly to the water tube located in the compartment. Ensure the water tube is firmly connected and will not easily become unattached. Water tube should be inserted to the tubing mark.



- Conceal wires and tubing inside the wall compartment and place the AutoFill assembly onto the forward end of the mount until flush with the interior wall of the refrigerator. Slide the assembly toward the back wall until mounting screw hole is visible.



- Secure AutoFill assembly with the T20 Torx screw removed earlier.
- Ensure supply water is connected to the refrigerator before proceeding further.
- Align the pitcher lid to the dispenser guide and slide the pitcher toward the back of the refrigerator until it stops. There may be up to a 5 second response time before water starts to fill the pitcher.



- Water will fill the pitcher until it reaches a specified level and will then shut off. It is normal for the water level to be below the top of the pitcher.

NOTE: After installing the AutoFill pitcher, run 2 gallons of water (approximately 5 full pitchers) through the AutoFill dispenser to remove air from the system. A newly installed filter cartridge will cause water to spurt and dribble until the air is out of the system. It is normal for water to appear discolored during the initial system flush. Water color will return to normal after the first minutes of dispensing. Wash the AutoFill pitcher and lid following the initial flush before using.

NOTE: Do not place the pitcher in the dispenser guide before the water connection is made to the refrigerator.

Instructions for Single Integrated Installation

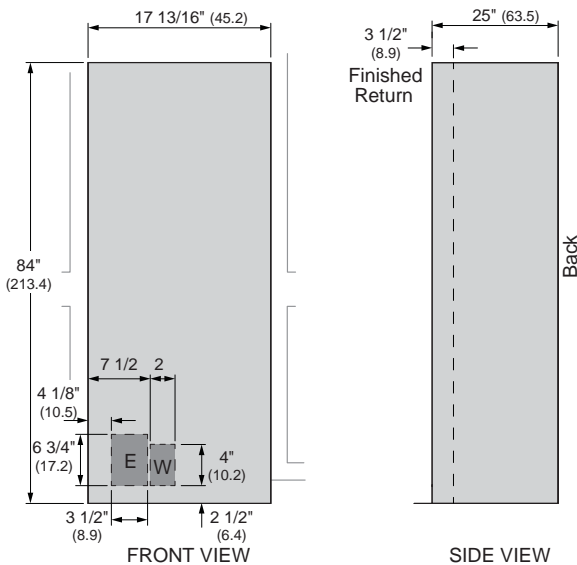
New construction installation with 25” deep openings

Design Guide - Single Integrated Installation

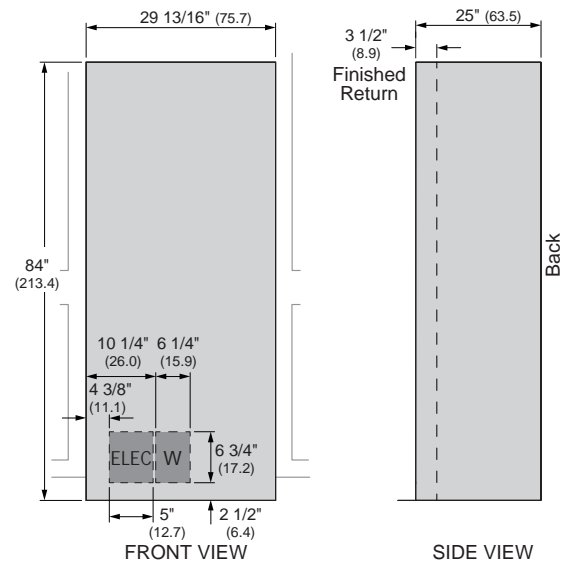
SINGLE INTEGRATED INSTALLATION SPACE

Dimensions in parentheses are in centimeters.

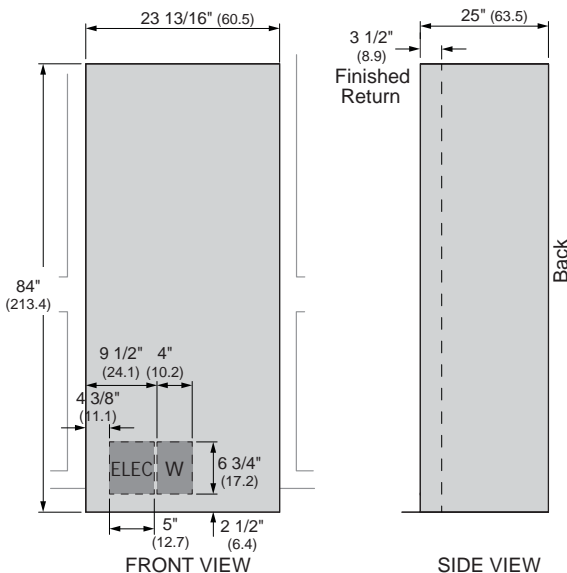
18" Integrated Freezer



30" Integrated Freezer or Refrigerator



24" Integrated Freezer or Refrigerator



Product Clearances

These units are equipped with a 2-position door stop. The factory set 115° door swing can be adjusted to 90° if clearance to adjacent cabinets or walls is restricted.

For a 90° door swing, allow 4" (10.2 cm) minimum clearance to a wall.

When installed in a corner, allow 15" (38.1 cm) for a full 115° door swing on 18" and 24" models. Allow 16-1/2" (41.9 cm) on 30" models.

Water And Electrical Locations

Electrical and water supply must be located as shown.

The Cutout Depth Must Be 25".

Additional Specifications

- A 115 volt 60Hz., 15 or 20 amp power supply is required. An individual properly grounded branch circuit or circuit breaker is recommended. Install a properly grounded 3-prong electrical receptacle recessed into the back wall. Electrical must be located on rear wall as shown.
- Water line must be located on the back wall as shown. The water line should be 1/4" O.D. copper tubing or QuickConnect™ kit (WX08X10006) between the cold water line and water connection location, long enough to extend to the front of the unit (8' [2.4 m]). Installation of an easily accessible shut-off valve in the water line is required.
- A minimum of 3-1/2" (8.9cm) finished return matching cabinet exterior is recommended on interior on all sides and top at front of opening.
- Installations with 4" (10.2 cm) or less between units require Heater Kit ZKUN.

Installation Instructions - Single Integrated Installation

REFRIGERATOR/FREEZER LOCATION

- Do not install the refrigerator/freezer where the temperature will go below 55°F (13°C). It will not run often enough to maintain proper temperatures.
- Do not install the refrigerator/freezer where temperatures will go above 100°F (37°C). It will not perform properly.
- Do not install the refrigerator/freezer in a location exposed to water (rain, etc.) or direct sunlight.
- Install it on a floor strong enough to support it fully loaded.

TOOLS AND MATERIALS REQUIRED

- Metal shears
- #1, #2 Phillips screwdriver
- Flathead screwdriver
- Putty knife
- Measuring tape
- Drill and 1/16", 5/64", 3/16", 1/2" bits
- 5/32" concrete bit (if installing anti-tip into concrete)
- 1/4", 3/8", 7/16" driver/socket
- 7/16" open wrench
- T20, T30 driver/bit
- 1/8", 1/4" hex driver (allen wrench)
- Level
- Water shut-off valves (optional but recommended)
- 8' waterline (one per unit requiring water hookup)
- Masking tape
- Rubbing alcohol
- Adjustable wrench
- Center punch
- Heater Unification Kit (ZKUN) (only required with 4" or less between units)
- Stainless Steel Door Kits (if applicable)
- Custom panels for doors (if applicable)
- Handle Kits (if applicable)
- Small Ratchet

HARDWARE SUPPLIED (per unit)

- Water Filter Bypass Plug (if equipped)
- Air filter (if equipped)
- Anti-Tip bracket
- 3 Lag screws
- 3 Tapcon screws
- 3 Toggles with bolts
- 1 Hair Pin Cotter
- 1 Retaining pin
- Panel installation templates
- 2 Door trims
- 2 Door panel brackets
- Set screws
- #6 Phillips head wood screws

GROUNDING THE UNIT

⚠ WARNING **Electrical Shock**

Hazard. Failure to follow these instructions can result in death, fire, or electrical shock.

The power cord of this appliance is equipped with a 3-prong (grounding) plug which mates with a standard 3-prong (grounding) wall receptacle to minimize the possibility of electric shock hazard from this appliance.

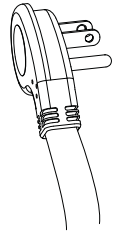
Have the wall outlet and circuit checked by a qualified electrician to make sure the outlet is properly grounded.

Where a standard 2-prong wall outlet is encountered, it is your personal responsibility and obligation to have it replaced with a properly grounded 3-prong wall outlet.

DO NOT, UNDER ANY CIRCUMSTANCES, CUT OR REMOVE THE THIRD (GROUND) PRONG FROM THE POWER CORD.

DO NOT USE AN ADAPTER PLUG TO CONNECT THE REFRIGERATOR TO A 2-PRONG OUTLET.

DO NOT USE AN EXTENSION CORD WITH THIS APPLIANCE.



FLOORING

For proper installation, this product must be placed on a level surface of hard material that is at the same height as the rest of the flooring. This surface should be strong enough to support a fully loaded refrigerator or freezer, or approximately 1,200 lbs. per unit.

NOTE: Protect the finish of the flooring.

NOTE: Not recommended for installation on carpeted flooring.

- Door Bracket Cover Top
- T30 screws
- 1 Hinge limiter pin
- Center door panel bracket
- Hi-Lo screw and square washer
- Access Cover
- Painted access cover screws

Installation Instructions - Single Integrated Installation

KIT ZKUN PARTS SUPPLIED:

Adhesive Heater
Transformer
Front Mullion
Trim Bracket
Top Unification Bracket
Bottom Front Unification Bracket
3 1/4" Hex Head 8-18 5/8" Long Screws
5 1/4" Hex Head 8-32 5/8" Long Screws
5 3/8" Hex Head 1/4-20 1/2" Long Screws
4 wire clips

Tools and Materials Required:

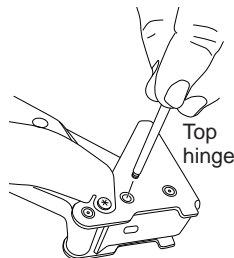
1/4" and 3/8" driver / sockets
#2 Phillips screwdriver
Rubbing alcohol

STEP 1 REMOVE PACKAGING

⚠ WARNING Tip Over Hazard.

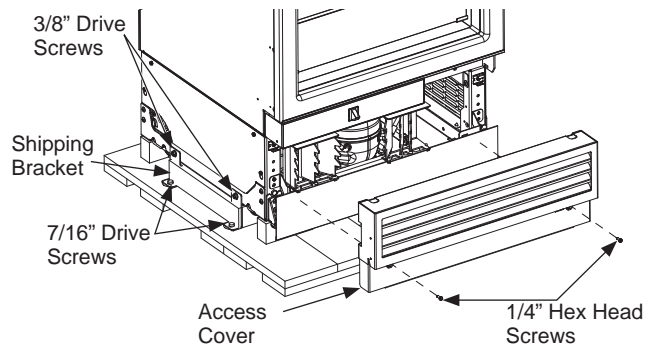
These appliances are top heavy, especially with any doors open, and must be secured to prevent tipping forward which could result in death or serious injury.

- Remove outer carton and external packing from units.
- Inspect for damage.
- If installation will require the door swing to be reversed, follow the instructions in Reversing the Door Swing section to reverse the door swing **BEFORE** the unit is removed from the shipping skid.
- Ensure the flooring that the units are set is clean/free of debris that could be collected on to, or pinched in front of the wheels and damaging the floor. Additionally, it is recommended that the floor be protected with a plastic covering through out the installation process.
- Remove hardware kit from top drawer.
- If installation requires a 90° door opening, the hinge limiter pin must be installed in the top hinge **BEFORE** the unit is removed from the shipping skid. Pin is located in the hardware kit.
 - Open the door approximately 45°, but no wider than 90°, to expose the hole in the back hinge bracket and install the limiting pin. Pin must be fully seated in the bracket or the door will not close properly.




STEP 1 REMOVE PACKAGING (Cont.)

- Remove front access cover from unit by removing two 1/4" hex head screws (some models have access cover in a box on the left side of the cabinet). Place the cover and screws to the side for future installation.
- Remove three 3/8" drive screws and two 7/16" drive screws from each side of the unit to release it from the shipping skid. Tip the unit from the side enough to remove the shipping material from under the unit, but above the shipping skid (both sides)
- **CAREFULLY** roll the unit off the back side of the shipping skid.
- Handle from side only with a hand truck.



STEP 2 INSTALL WATER LINE

⚠ WARNING Connect to potable water supply only. A cold water supply is required for automatic icemaker operation. The water pressure must be between 40 and 120 psi (275-827 kilopascals).

⚠ WARNING  **ELECTRIC SHOCK HAZARD**
Attach tubing clamp using existing hole only. **DO NOT** drill into the refrigerator.

Shut off the main water supply.

Turn on the nearest faucet long enough to clear the line of water.

- Install a shut-off valve between the water valve and cold water pipe in a basement or cabinet. **The shut-off valve should be located where it will be easily accessible.**
- Turn on the main water supply and flush debris. Run about a quart of water through the tubing into a bucket. Shut off water supply at the shut-off valve.

Installation Instructions - Single Integrated Installation

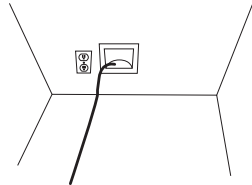
STEP 2 INSTALL WATER LINE (Cont.)

NOTE: Saddle type shut-off valves are included in many water supply kits. Before purchasing, make sure a saddle type valve complies with your local plumbing codes.

NOTE: Commonwealth of Massachusetts Plumbing Codes 248CMR shall be adhered to. Saddle valves are illegal and use is not permitted in Massachusetts. Consult with your licensed plumber.

- Route 1/4" OD copper or SmartConnect™ (WX08X10006) plastic tubing between house cold water line and the water connection location at the front of the unit.

SmartConnect™ Refrigerator Tubing Kits are available. One 8' (2.4m) water line (WX08X10006) is needed for each unit. The waterline will be taped to the floor using masking tape after anti-tip bracket installation.



- Tubing should be long enough to extend to the front of the unit. Allow enough tubing to accommodate bend leading into the water line connection. Unit must be tipped on its side to route waterline underneath and to the front of the appliance.

NOTE: The only GE Appliances approved plastic tubing is supplied in the SmartConnect™ Refrigerator Tubing kits. Do not use any other plastic water supply line because the line is under pressure at all times. Other types of plastic may crack or rupture with age and cause water damage to your home.

STEP 3 PREPARING UNIT FOR INSTALLATION

- Place the unit in front of the installation opening in a way that the unit is in front of the intended installed location.

STEP 4 INSTALL ANTI-TIP BRACKET

⚠ WARNING

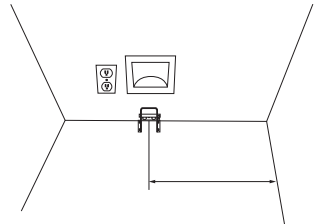


Tip Over Hazard.

This appliance is top heavy, especially with any doors open, and must be secured to prevent tipping forward which could result in death or serious injury. Read and follow the entire installation instructions for securing the appliance with the anti-tip system.

- Remove the anti-tip bracket from the hardware kit.
- Anti-tip bracket should be mounted against the back wall or up to 25-1/2" (64.7 cm) maximum from front of opening. Use floor mounting method if the bracket is not against a wall (bracket hardware is provided for mounting into wood, steel studs and concrete).

Unit	From Enclosure
18"	8-7/8" (22.5 cm)
24"	5-3/4" (14.6 cm)
30"	5-3/4" (14.6 cm)



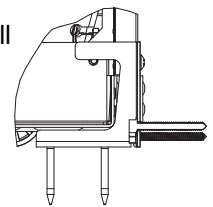
- Measure and mark from the right side of the opening per the table depending on the size of the unit you are installing.
- Mount the anti-tip bracket centered about the mark and flush to the floor as shown. Mark 3 holes for wall mounting or 4 holes for floor mounting.

WOOD MOUNTING: Predrill with 3/16" drill bit, 2" deep, then install lag bolts with a 7/16" driver.

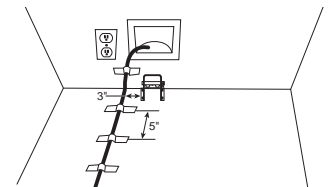
CONCRETE MOUNTING: Predrill with a 5/32" concrete bit, 2" deep, then install tapcon screws with a 7/16" driver.

STEEL MOUNTING: Predrill with a 1/2" drill bit, insert toggle, then install bolts with a 7/16" driver.

The bracket must be screwed to either the FLOOR or REAR WALL.



- If the enclosure is deeper than 25 1/2", the anti-tip bracket should be secured to the floor 25" from front of the enclosure.
- Tape the waterline to the wall and floor approximately 3" to the left of the anti-tip bracket. Apply tape about every 5" toward the front of the opening (tape will prevent the unit from rolling over the waterline during installation). Do not tape near the cabinet front in order to keep tape hidden under the unit.

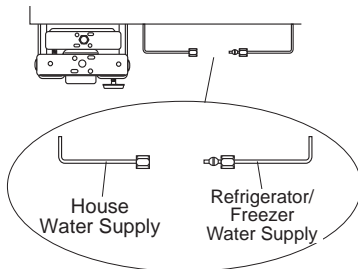


Installation Instructions - Single Integrated Installation

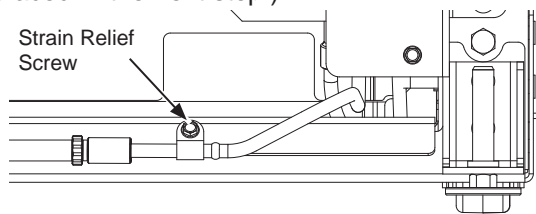
STEP 5 CONNECT WATER SUPPLY

⚠ WARNING Connect to potable water supply only. A cold water supply is required for automatic icemaker operation. The water pressure must be between 40 and 120 psi (275-827 kilopascals).

⚠ WARNING  **ELECTRIC SHOCK HAZARD**
Attach tubing clamp using existing hole only. DO NOT drill into the refrigerator.



- Locate and bring the tubing to the front of the cabinet.
- Turn the water on to flush debris from the line. Run about a quart of water through the tubing into a bucket, then shut off the water.
- Remove strain relief screw to allow for enough slack to make a proper water connection. (Screw must be replaced in the next step.)



Copper Tubing:

- Slip a 1/4" nut and ferrule (provided) over both ends of the copper tubing. Insert the tube into the union fitting on the unit and tighten the nut to the union.
- Turn on the water to check for leaks.

SmartConnect™ Tubing:

NOTE: The only GE Appliances-approved plastic tubing is supplied in the SmartConnect™ Refrigerator Tubing kits. Do not use any other plastic water supply line because the line is under pressure at all times. Other types of plastic may crack or rupture with age and cause water damage to your home.

- Insert the molded end of the tubing into the refrigerator or freezer connection. Tighten the compression nut until it is just hand-tight.
- Follow the instructions provided with the tubing. Overtightening can cause leaks!
- Turn on the water to check for leaks.

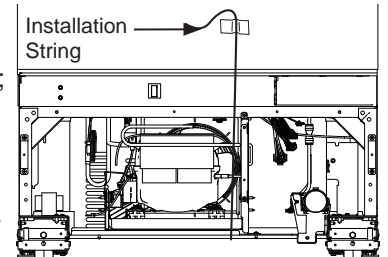
STEP 6 INSERTING/SECURING INTO CABINET SURROUND

- Plug unit into the outlet in the wall.

⚠ WARNING  **Electrical Shock Hazard.**

To reduce the risk of electrical shock, be careful during the remaining installation steps not to touch wiring or electrical components inside the compressor compartment while the appliance is plugged in and the front access cover is not in place.

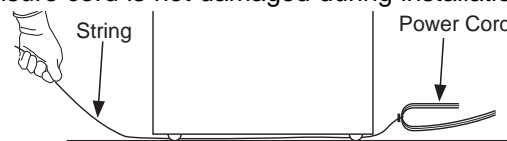
- Find the installation string that is attached to the door of the unit; this is to be used as you are pushing the unit back into the opening. The string is attached to the power cord; as you walk the unit back into the opening you should pull the string tight to make sure the power cord is routed underneath the unit.
- Slowly walk the unit into opening making sure not to touch the cabinetry on the sides and top to prevent damage. Door face should be 7/8" behind the front face of surrounding cabinets on either a stainless or custom panel installation.



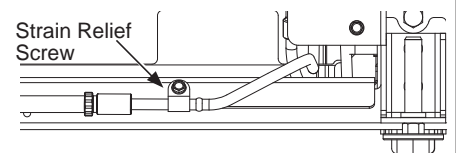
⚠ WARNING  **Tip Over Hazard.**

This appliance is top heavy, especially with the door open, and must be secured to prevent tipping forward which could result in death or serious injury.

- Place power cord on its edge and pull under product between rollers and away from the anti-tip bracket to ensure cord is not damaged during installation.



- As you walk the unit back into the opening, you should pull the string tight to make sure the power cord is routed underneath the unit.
- Replace the waterline strain relief screw.
- Store the excess string and water tubing under the unit.



⚠ WARNING  **Electrical Shock Hazard.**

Replace waterline strain relief in front rail location as shown.

Installation Instructions - Single Integrated Installation

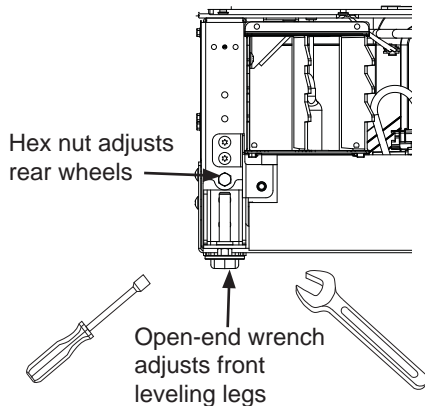
STEP 7 LEVEL UNIT

All models have 4-point leveling. The front is supported by leveling legs; the rear is supported by adjustable wheels. Both are accessible from the front of the unit.

- To level the back of the unit, turn the 7/16" hex nut located above the front wheels. Turn clockwise to raise or counterclockwise to lower the unit.

- For front leveling, use a 7/16" open-end wrench.

- Adjust height of unit to match installation cutout opening 84". The unit should be level and plumb with cabinetry.

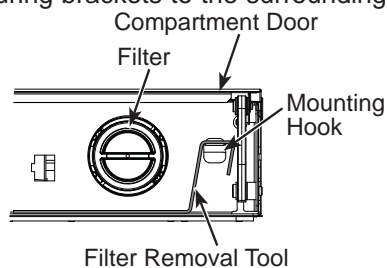


NOTICE: The rear leveling wheels and front leveling legs are limited to a maximum height adjustment of 1". If the installation requires more than 84" height, the installer should elevate the unit on a sheet of plywood or runners. Cabinetry trim could also be added across the top of the opening to shorten the opening. If you attempt to raise the unit more than 1", you will damage the front leveling legs and the rear leveling wheels.

STEP 8 FINAL EXTERNAL UNIT PREPARATION

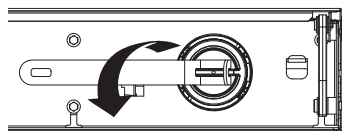
FOR FLUSH INSTALLATION: Make sure front surface of the door is 7/8" behind front face of surrounding cabinets BEFORE securing brackets to the surrounding cabinetry.

- Open the doors to the units. Locate filter and filter removal tool. Filter should be as shown.



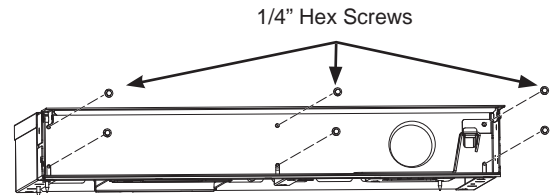
- Rotate filter 1/4 turn counterclockwise (use filter removal tool if needed).

- Pull filter toward you to remove. **NOTE:** Water system will not function without filter in place.

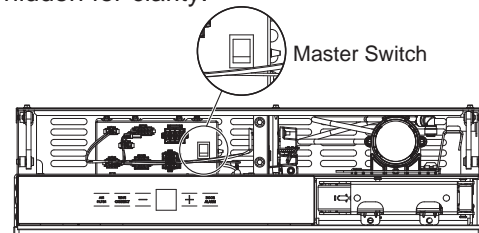


STEP 8 FINAL EXTERNAL UNIT PREPARATION (Cont.)

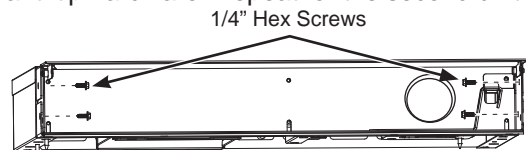
- Make sure lights are on inside the unit. If they are not on, check to make sure the master switch is on by removing the front enclosure which is secured with six 1/4" Hex screws.



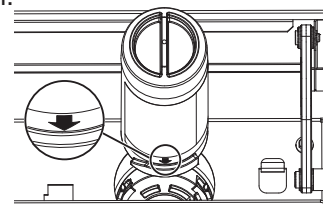
- Switch on the master switch if not on. (Master Switch Wires hidden for clarity.)



- Assemble the enclosure with removed screws.
- Pre-drill 1/16" holes in both the sides of the surround 1/2" deep through holes in the enclosure.
- Secure unit by driving four 1/4" hex screws to both sides to surrounding cabinetry. **NOTE:** This step does NOT replace the anti-tip safety hardware. Refer to Step 4 Installing Anti-Tip Bracket and Step 7 Inserting/Securing into Cabinet Surround for details on installing the anti-tip hardware. Repeat for the second unit.



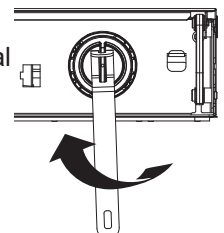
- Locate blue arrow on filter. Rotate filter to align arrow as shown.



- Insert filter into position and rotate 1/4 turn clockwise (use filter removal tool if needed).

- Return filter removal tool to mounting hook.

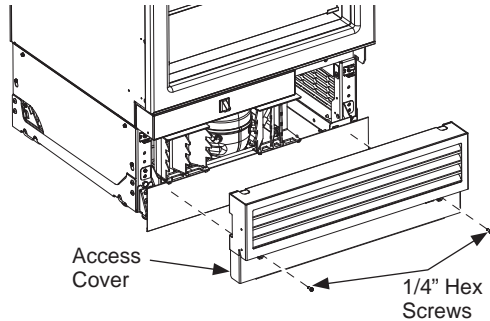
- Close the compartment door.



Installation Instructions - Single Integrated Installation

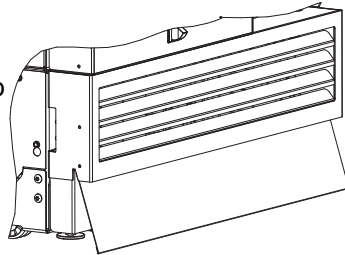
STEP 8 FINAL EXTERNAL UNIT PREPARATION (Cont.)

- Put the access cover back onto the unit and secure with two 1/4" hex head screws.



STEP 9 TOE KICK INSTALLATION

- Insert Toe Kick into the slot in the Front Access Cover by rotating it toward you.
- Push the bottom portion of the Toe Kick towards the product and slide into place.



STEP 10 INTERNAL UNIT PREPARATION

- Remove all tape, cardboard, and foam from the unit (foam shipping supports may be located behind the left and right sides of each of the glass pan fronts on Refrigerator models).
- Remove boxed door bins from shelves.
- Unbox and install door bins.
- Install door bin mats.

STEP 11 START ICEMAKER (freezer models)

CAUTION

To minimize the risk of personal injury, avoid contact with the moving parts of the ejector mechanism, or with the heating element that releases the cubes. Do not place fingers or hands on the automatic ice making mechanism while the appliance is plugged in.

A newly-installed freezer may take 12–24 hours to begin making ice.

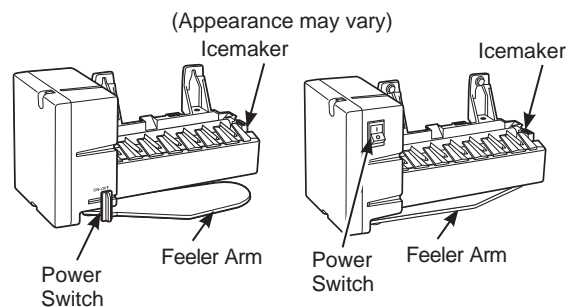
The icemaker will produce seven cubes per cycle—approximately 15 cycles in a 24-hour period, depending on freezer compartment temperature, room temperature, number of door openings and other use conditions.

If the freezer is operated before the water connection is made to the icemaker, set the power switch to **OFF**. Top wire basket must be removed to access the icemaker power switch.

When the freezer has been connected to the water supply, set the power switch to **ON**.

Throw away the first full bucket of ice to allow the water line to clear.

Be sure nothing interferes with the sweep of the feeler arm.



When the bin fills to the level of the feeler arm, the icemaker will stop producing ice.

It is normal for several cubes to be joined together.

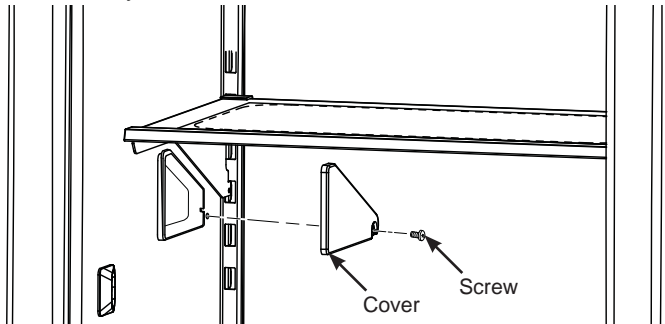
If ice is not used frequently, old ice cubes will become cloudy, taste stale and shrink.

NOTE: Icemaker works best between 40 and 120 PSI (275-827 kPa) home water pressure.

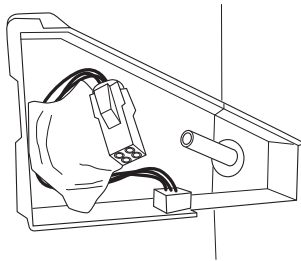
Installation Instructions - Single Integrated Installation

STEP 12 INSTALL AUTOFILL PITCHER ASSEMBLY (Some Refrigerator Models)

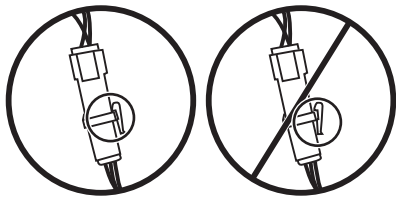
- Locate the AutoFill pitcher cover on the left side of the refrigerator's interior. Remove the one T20 Torx screw holding the cover in place towards the rear of the cover. Retain this screw for attachment of AutoFill assembly.



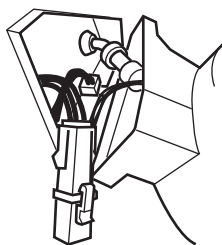
- Slide the cover forward to remove. This reveals an electrical connector and a water tube.



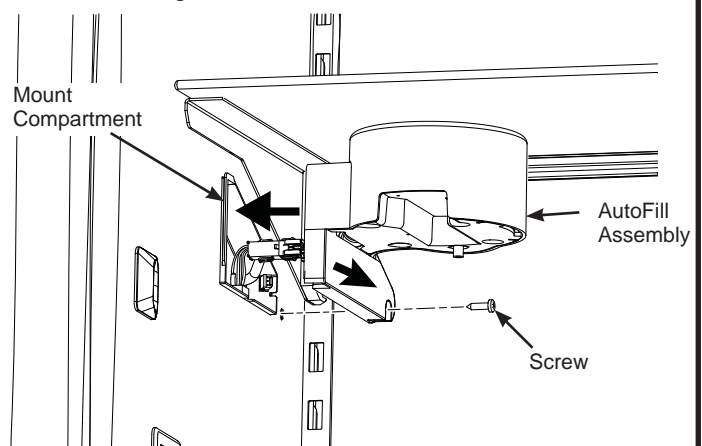
- Remove the AutoFill assembly from the box. Connect the 4 pin connector from the AutoFill assembly to the connector in the compartment wall.



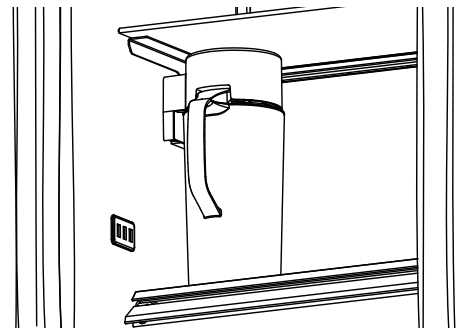
- Ensure that the locking tab on the connector is fully engaged.
- Connect the water line fitting from the AutoFill assembly to the water tube located in the compartment. Ensure the water tube is firmly connected and will not easily become unattached. Water tube should be inserted to the tubing mark.



- Conceal wires and tubing inside the wall compartment and place the AutoFill assembly onto the forward end of the mount until flush with the interior wall of the refrigerator. Slide the assembly toward the back wall until mounting screw hole is visible.



- Secure AutoFill assembly with the T20 Torx screw removed earlier.
- Ensure supply water is connected to the refrigerator before proceeding further.
- Align the pitcher lid to the dispenser guide and slide the pitcher toward the back of the refrigerator until it stops. There may be up to a 5 second response time before water starts to fill the pitcher.



- Water will fill the pitcher until it reaches a specified level and will then shut off. It is normal for the water level to be below the top of the pitcher.

NOTE: After installing the AutoFill pitcher, run 2 gallons of water (approximately 5 full pitchers) through the AutoFill dispenser to remove air from the system. A newly installed filter cartridge will cause water to spurt and dribble until the air is out of the system. It is normal for water to appear discolored during the initial system flush. Water color will return to normal after the first minutes of dispensing. Wash the AutoFill pitcher and lid following the initial flush before using.

NOTE: Do not place the pitcher in the dispenser guide before the water connection is made to the refrigerator.

Stainless Steel Door Panel Installation

This step can be done for all installation types.

Installation Instructions - Stainless Door Panel

Stainless Steel Door Panel Kits are available with either Euro handles or Pro handles.

ZK1SN189NLH	LH 18" Stainless Steel Door Panel
ZK1SN184NRH	RH 18" Stainless Steel Door Panel
ZK1SN249NLH	LH 24" Stainless Steel Door Panel
ZK1SN244NRH	RH 24" Stainless Steel Door Panel
ZK1SN309NLH	LH 30" Stainless Steel Door Panel
ZK1SN304NRH	RH 30" Stainless Steel Door Panel
ZKSP1H1CNSS	Minimalist Handle for Stainless Steel Panels Only
ZKSP1H1PNSS	Statement Handle for Stainless Steel Panels Only

Stainless steel panel is fully assembled with brackets and handle already installed as a LH or RH swing door. LH door kits can be modified to fit RH swing units and RH door kits can be modified to fit LH swing units. Leave the protective film on the door until the installation is complete.

⚠ WARNING



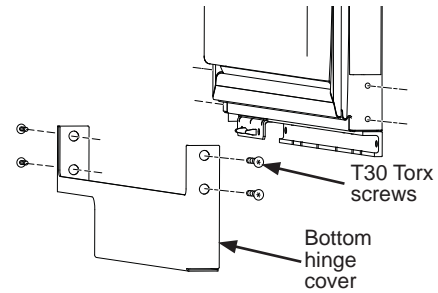
Door Trim Pinch

Point Hazard

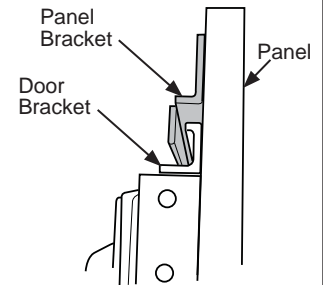
Improper installation can lead to a finger pinch point hazard between the side door trim and the cabinets when operating the door, especially with children. To minimize this risk you must follow the installation instructions for cabinet dimensions, trim assembly, and door stop angle.

STEP 1 INSTALL STAINLESS PANEL

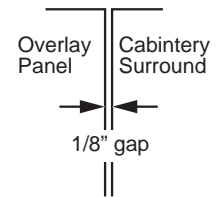
- Remove bottom hinge cover and retain the 4 T30 Torx screws for later installation.



- Open door to 90°. Slide the panel onto the door with the panel brackets interlocking on top and bottom with the door brackets (make sure not to slide the panel into the cabinetry surround). Center the panel on the door, then slowly close the door while watching to make sure the panel does not contact the surrounding cabinetry.

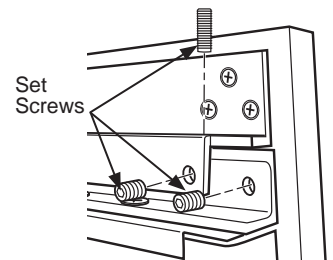


- With the door fully closed, carefully slide the panel towards the cabinetry with the goal gap of 1/8".

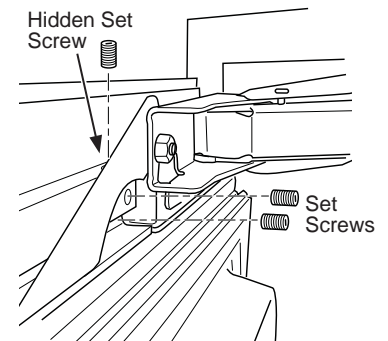


STEP 2 ADJUST STAINLESS PANEL

- Door adjustments will be made with 12 set screws provided. Each corner of the door will use 3 adjustment set screws. Use a 1/8" allen wrench to install the set screws in the order as instructed.



- The set screws behind the top and bottom support brackets are partially hidden.

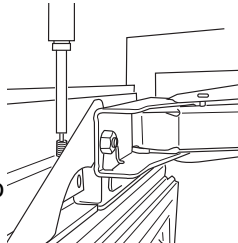


Installation Instructions - Stainless Door Panel

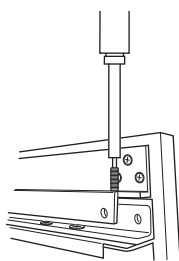
STEP 2 ADJUST STAINLESS PANEL (Cont.)

- Follow the next steps for set screw installation.
- For flush mounting, inspect the gap between the panel and cabinetry at the handle side.

- If the vertical gap between the cabinetry is smaller at the top than the bottom, insert and drive the vertical screw on the top bracket near the **hinge side** until the gap is equal along the entire vertical section. (You may need to slide the panel to realign the side gap to 1/8".)

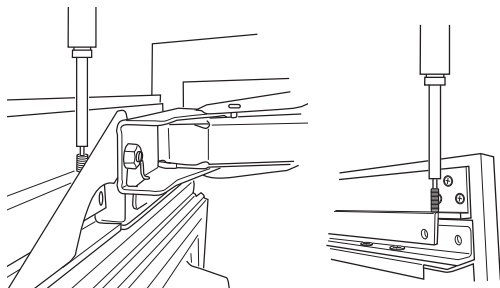


- If the vertical gap between the cabinetry is larger at the top than the bottom, insert and drive the vertical screw on the top bracket near the **handle side** until the gap is equal along the entire vertical section. (You may need to slide the panel to realign the side gap to 1/8".)



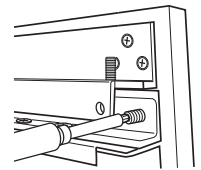
- Inspect the alignment at the top of the panel. Adjustments can be made by turning the vertical adjustment screws, equally, on the top of the panel bracket (2 adjustment screws per panel).

Vertical adjustment screw locations.

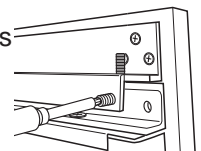


- If the panels do not lay flat, they can be adjusted. Start by adjusting the top corners and then moving to the bottom corners. Each corner can be adjusted independently.

- If the panel is too deep inside the cabinetry, the panel needs to move away from the unit. Install the outermost horizontal screws in all 4 corners and screw in until panel is in position.

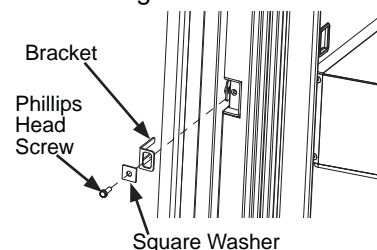


- If the panel is too proud of the surrounding cabinetry, the panel needs to move toward the unit. Install the innermost horizontal screws in all 4 corners and screw in place until the panel is in position.



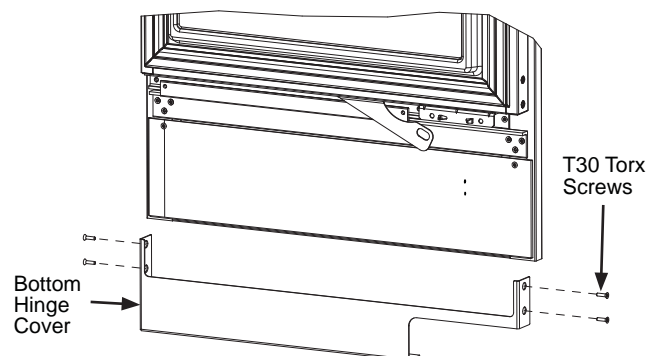
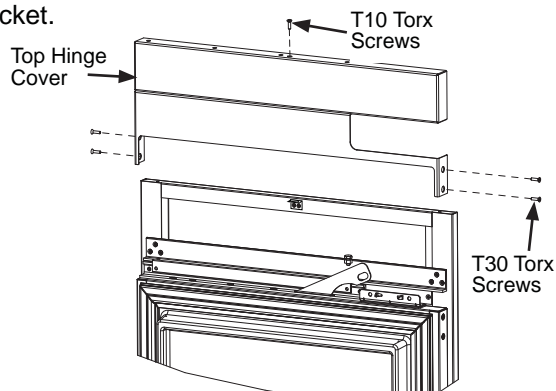
After the panel has been adjusted to the desired position, secure the panel by first driving and tightening the vertical screws at the bottom of the door brackets and then drive and tighten the remaining horizontal screws. ALL 12 SET SCREWS should be driven and firmly tightened in order to properly secure the panel.

- After the top and bottom door panel brackets are secured by installing / tightening all 12 set screws, use the four 1/4" hex screws and square washer to secure the center mounting brackets.



STEP 3 INSTALL HINGE COVERS

- Replace the top and bottom hinge covers using 4-T30 screws per cover.
- Using one T10 screw, secure the cover top to L-Bracket.

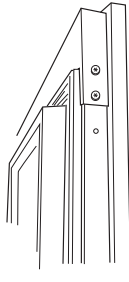


Installation Instructions - Stainless Door Panel

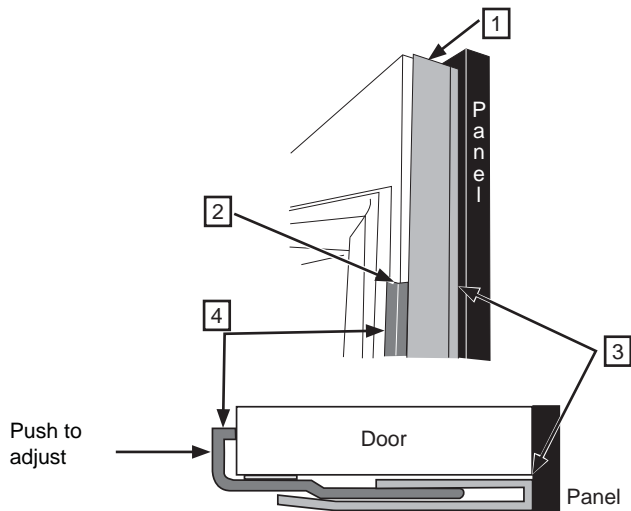
STEP 4 INSTALL DOOR TRIMS

There are 2 door trims to install. One for the handle side and one for the hinge side. The long trim is for the handle side and the shorter trim is for the hinge side. Install the handle side trim first.

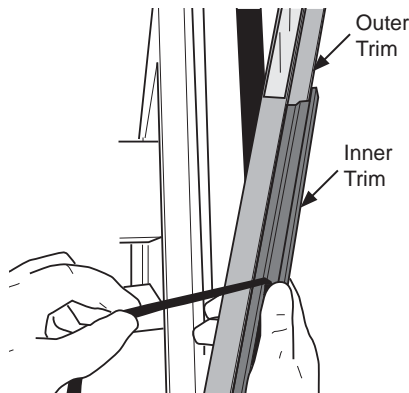
- Clean the side of the door, including the side of the top and bottom hinge covers with rubbing alcohol to improve trim adhesion.
- The side trim is made up of an outer trim and an inner trim. Adjustments need to be made before adhering to the side of the door. Without removing the backing to the tape strips, test the fit of the trim to the side of the door.



1. Align the top of the outer trim to the top of the door panel
2. Inner trim should fit between the top and bottom hinge covers
3. Make sure outer trim is setting flush against the back of the door panel
4. Adjust the inner trim until it is flush against the back of the door by pushing into the outer trim.

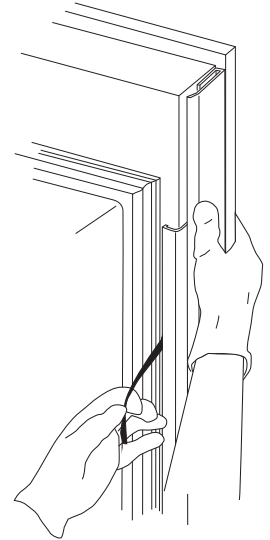


- Once the test fit is complete, remove the trim and peel 8-10" of backer off of the top of the inner trim tape.



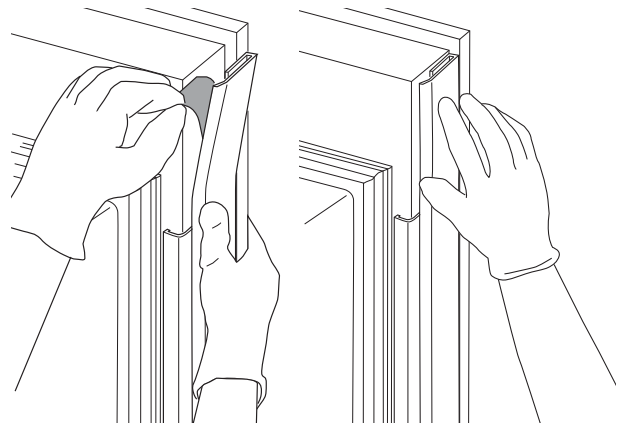
- Without touching the exposed tape to the side of the door, align the top of the trim with the top of the door panel. (tape backer should be sticking out when aligning the trim).

- Once the trim is in location (aligned to the top of the door, hinge covers, tight to the door and door panel), then push on the exposed tape area to secure. Slowly start pulling the tape backer off and pushing to adhere the tape while keeping the trim in place until you have completely removed the tape backing.



- Secure the top and bottom portions of the outer trim after the inner trim has been secured.

1. Gently pull the top of the outer trim away from the door panel in order to expose the tape backer. Do not bend too far away from the door or trim damage may occur.
2. Peel the backer off the outer trim tape and press to secure the trim.
3. Repeat for the bottom of the outer trim.



- Once the handle side door trim is in place, repeat the same steps for the hinge side door trim.

Custom Overlay Door Panel Installation

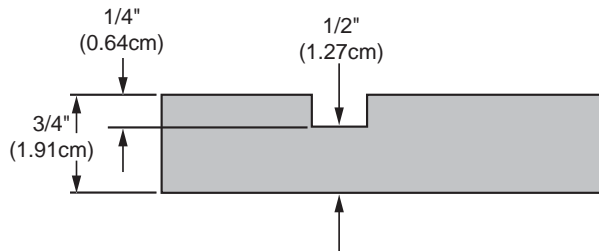
This step can be done for all installation types.

Design Guide - Custom Overlay Door Panel

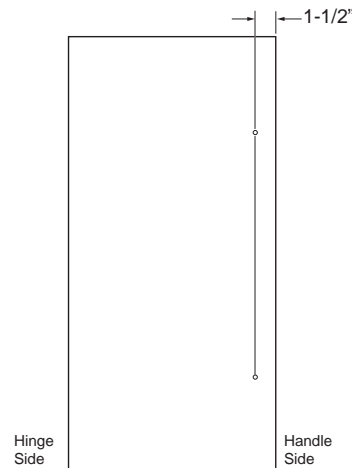
CUSTOM HANDLE DESIGN GUIDE

Custom handles must be used for flush installation. For custom handle installation, counter-bore holes in rear of decorative panels must ensure 1/2" (1.27cm) material thickness remains for handle support.

NOTE: The counterbore must not exceed 1" (2.54cm) in diameter.



Minimum distance from panel side edge to handle center should be 1-1/2" (3.81 cm) as shown.



3/4" CUSTOM DECORATIVE PANEL DIMENSIONS

For a more custom appearance, overlay panels may be installed to give a flush appearance with surrounding cabinets. The overlay panel must be 3/4" (1.91cm) thick. Panel attaches to included brackets to provide mounting to the appliance door.

NOTE: We recommend that decorative panels have inside corners and edges rounded or beveled by cabinet maker to avoid sharp edges on the panels. Edges to be treated should include the top, bottom and hinge side edges.

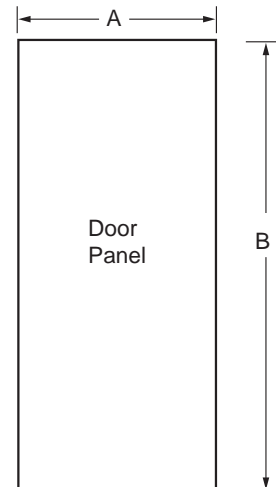
IMPORTANT NOTE: Maximum panel weight is 45 lbs.

NOTE: For panels constructed with rails and stiles (5-panel), the rails and stiles must be a minimum of 2" (5.08cm) wide.

For Stainless Panel Kits, see Stainless Steel Door Panel Installation on page 45.

For Custom Panels, use templates provided with the units to pre-drill holes for mounting panel brackets (provided with unit). Adjustment screws and instructions are provided.

IMPORTANT: Custom decorative door panel width dimensions are different for single model and dual model installations.



Panel Dimension	18" Models	24" Models	30" Models
A	17-9/16" (44.61cm)	23-9/16" (59.85cm)	29-9/16" (75.09)
B	79-7/8" (202.88cm)	79-7/8" (202.88cm)	79-7/8" (202.88cm)

⚠ WARNING



Door Trim Pinch

Point Hazard

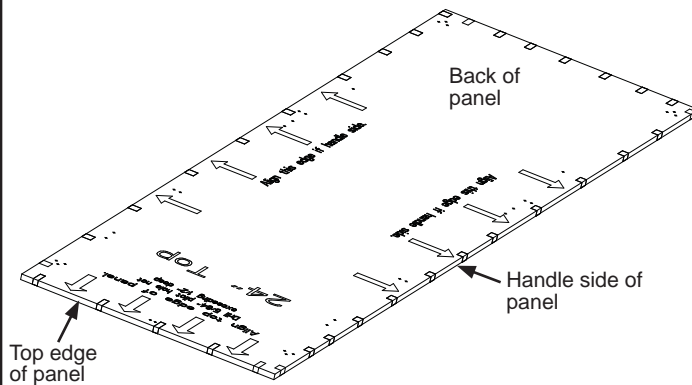
Improper installation can lead to a finger pinch point hazard between the side door trim and the cabinets when operating the door, especially with children.

To minimize this risk you must follow the installation instructions for cabinet dimensions, trim assembly, and door stop angle.

Installation Instructions - Custom Overlay Door Panel

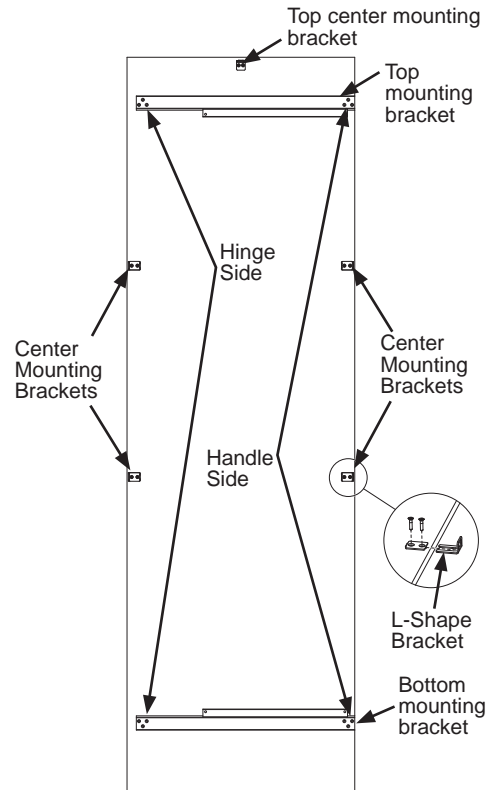
STEP 1 OVERLAY PANEL PREP

- Verify overall panel dimensions match supplied recommendations based on model and inspect for any initial damage.
- Lay the template on the **BACK** of the panel, making sure to align the top edge (black line) of the template to the top edge of the panel. The template side edges should be aligned with the handle side of the panel. Secure the template to the panel so it does not move when marking hole locations. Masking tape is recommended to secure the template and ensure it is not wrinkled and is smooth against the panel.

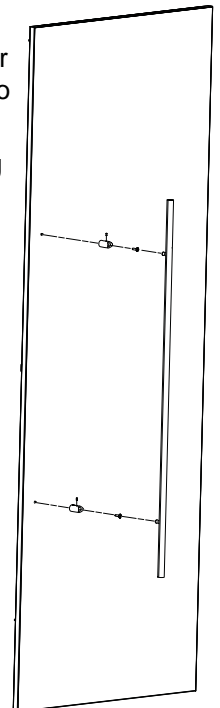


- Mark the hole locations by tapping lightly in the center of the hole markings with a center punch to transfer the markings to the panel. It is critical the template not move from start to finish of marking hole locations on the panel.
- Drill pilot holes with a 5/64" (drill bit making sure to drill no deeper than 1/2" deep).
- Install top and bottom mounting brackets provided with No. 6 Phillips Head Screws (12). Make sure cutout end of bracket is on hinge side per figure below. Also ensure flanges on brackets are facing toward the other bracket as shown. Screws should be secure and flush to brackets. Do not overtighten screws.

- Install center mounting brackets with 2 #6 Phillips head screws.
- Install the top center mounting bracket and secure with 2 #6 Phillips screw.



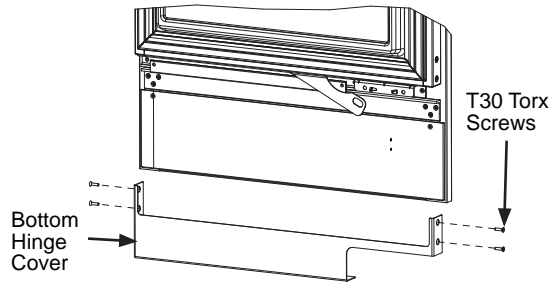
- Remove the L-shaped bracket and set it aside. This will be replaced after the installation of the wooden panel to the door assembly.
- Install the handle (if applicable) being sure all hardware mounts below the back surface of the panel.



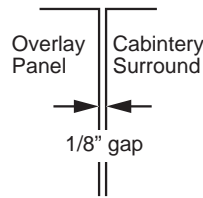
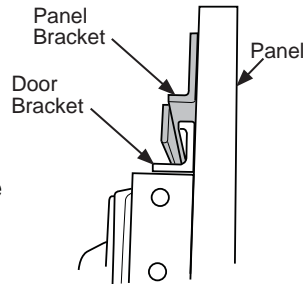
Installation Instructions - Custom Overlay Door Panel

STEP 2 INSTALL OVERLAY PANEL

- Remove bottom hinge cover and retain the 4 T30 Torx screws for later installation.

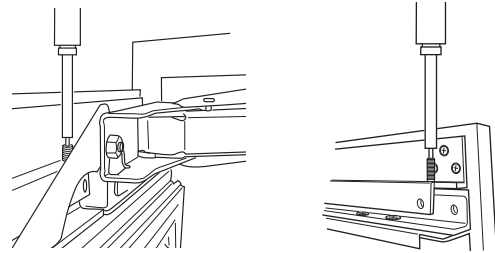


- Open door to 90°. Slide the panel onto the door with the panel brackets interlocking on top and bottom with the door brackets (make sure not to slide the panel into the cabinetry surround). Center the panel on the door, then slowly close the door while watching to make sure the panel does not contact the surrounding cabinetry.
- With the door fully closed, carefully slide the panel towards the cabinetry with the goal gap of 1/8".



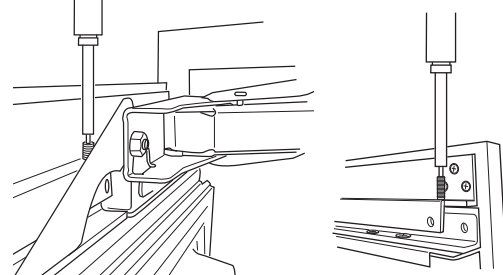
STEP 3 ADJUST OVERLAY PANEL (Cont.)

- Follow the next steps for set screw installation.
- For flush mounting, inspect the gap between the panel and cabinetry at the handle side.
 - If the gap at the top is too large or uneven use the set screws on the top bracket to adjust the gap until the gap is equal along the entire vertical section.



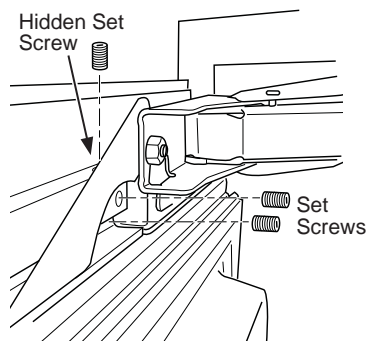
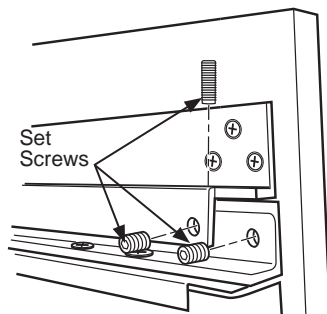
- Inspect the alignment at the top of the panel. Adjustments can be made by turning the vertical adjustment screws, equally, on the top of the panel bracket (2 adjustment screws per panel).

Vertical adjustment screw locations.

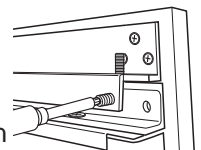
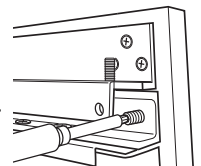


STEP 3 ADJUST OVERLAY PANEL

- Door adjustments will be made with 12 set screws provided. Each corner of the door will use 3 adjustment set screws. Use a 1/8" allen wrench to install the set screws in the order as instructed.
- The set screws behind the top and bottom support brackets are partially hidden.



- If the panels do not lay flat, they can be adjusted. Start by adjusting the top corners and then moving to the bottom corners. Each corner can be adjusted independently.
 - If the panel is too deep inside the cabinetry, the panel needs to move away from the unit. Install the outermost horizontal screws in all 4 corners and screw in until panel is in position.
 - If the panel is too proud of the surrounding cabinetry, the panel needs to move toward the unit. Install the innermost horizontal screws in all 4 corners and screw in place until the panel is in position.

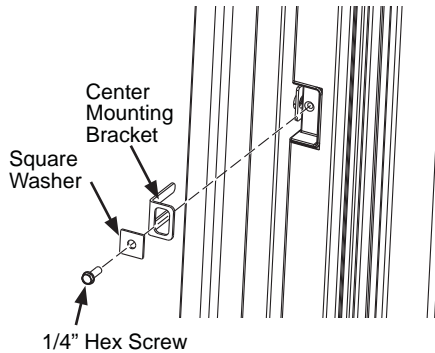


Installation Instructions - Custom Overlay Door Panel

STEP 3 ADJUST OVERLAY PANEL (Cont.)

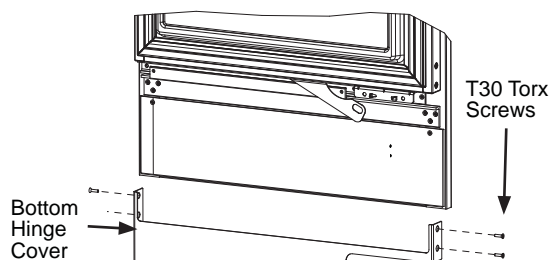
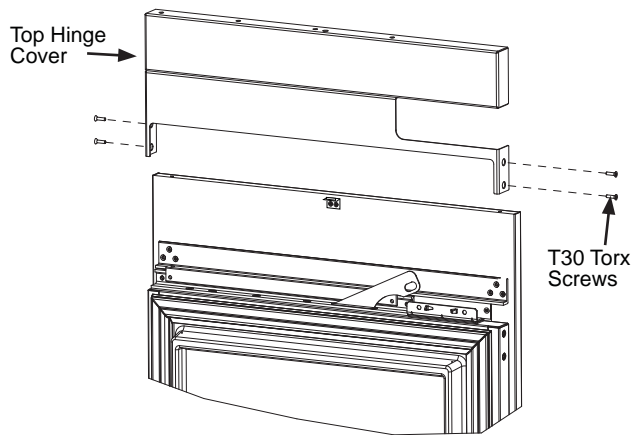
After the panel has been adjusted to the desired position, secure the panel by first driving and tightening the vertical screws at the bottom of the door brackets and then drive and tighten the remaining horizontal screws. ALL 12 SET SCREWS should be driven and firmly tightened in order to properly secure the panel.

- After the top and bottom door panel brackets are secured by installing / tightening all 12 set screws, use 1/4" hex screw and square washer to secure the center mounting bracket.



STEP 4 INSTALL HINGE COVERS

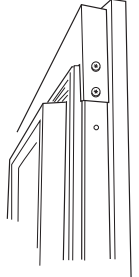
- Replace the top and bottom hinge covers using 4-T30 screws per cover.



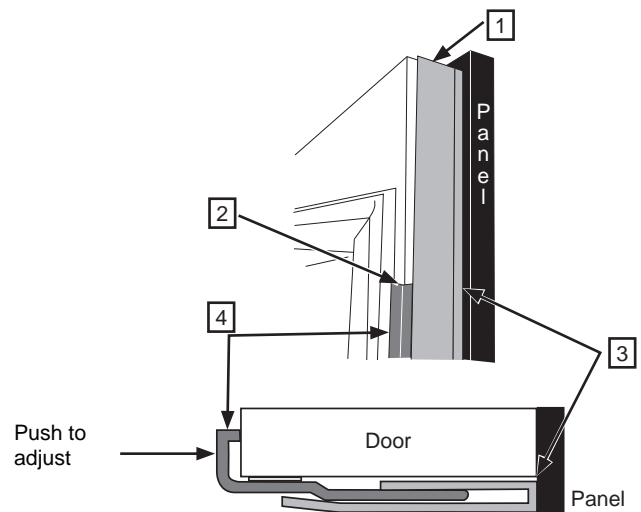
STEP 5 INSTALL DOOR TRIMS

There are 2 door trims to install. One for the handle side and one for the hinge side. The long trim is for the handle side and the shorter trim is for the hinge side. Install the handle side trim first.

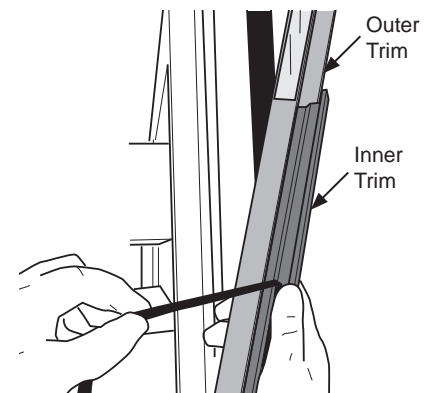
- Clean the side of the door, including the side of the top and bottom hinge covers with rubbing alcohol to improve trim adhesion.
- The side trim is made up of an outer trim and an inner trim. Adjustments need to be made before adhering to the side of the door. Without removing the backing to the tape strips, test the fit of the trim to the side of the door.



- Align the top of the outer trim to the top of the door panel
- Inner trim should fit between the top and bottom hinge covers
- Make sure outer trim is setting flush against the back of the door panel
- Adjust the inner trim until it is flush against the back of the door by pushing into the outer trim.



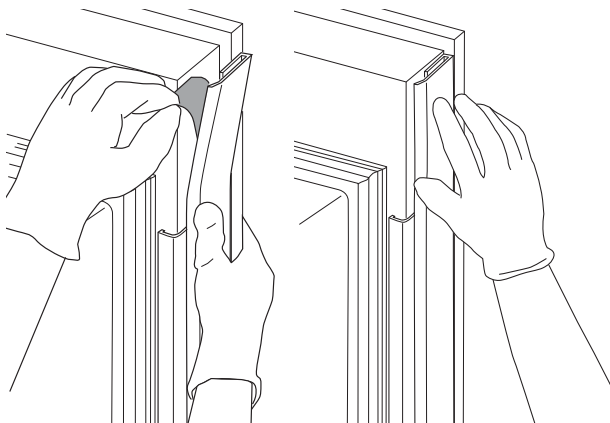
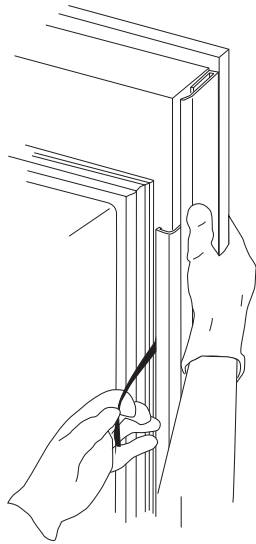
- Once the test fit is complete, remove the trim and peel 8-10" of backer off of the top of the inner trim tape.



Installation Instructions - Custom Overlay Door Panel

STEP 5 INSTALL DOOR TRIMS (cont.)

- Without touching the exposed tape to the side of the door, align the top of the trim with the top of the door panel. (tape backer should be sticking out when aligning the trim).
- Once the trim is in location (aligned to the top of the door, hinge covers, tight to the door and door panel), then push on the exposed tape area to secure. Slowly start pulling the tape backer off and pushing to adhere the tape while keeping the trim in place until you have completely removed the tape backing.
- Secure the top and bottom portions of the outer trim after the inner trim has been secured.
 1. Gently pull the top of the outer trim away from the door panel in order to expose the tape backer. Do not bend too far away from the door or trim damage may occur.
 2. Peel the backer off the outer trim tape and press to secure the trim.
 3. Repeat for the bottom of the outer trim.
- Once the handle side door trim is in place, repeat the same steps for the hinge side door trim.



Notes

NOTE: While performing installations described in this book, safety glasses or goggles should be worn.

NOTE: Product improvement is a continuing endeavor at Monogram. Therefore, materials, appearance and specifications are subject to change without notice.



MONOGRAM



INSTRUCTIONS D'INSTALLATION

Congélateurs colonnaires encastrés de 18, 24, et 30 po
Réfrigérateurs colonnaires encastrés de 24 et 30 po

FRANÇAIS

MONOGRAM.COM

Consignes de sécurité

AVANT DE COMMENCER

Veillez lire toutes ces instructions attentivement.

- **IMPORTANT** – Conservez ces instructions à l'usage de l'inspecteur local. Observez tous les codes et décrets en vigueur.
- **Note à l'installateur** – Assurez-vous de laisser ces instructions au consommateur.
- **Note au consommateur** - Conservez ces instructions avec votre manuel d'utilisation pour consultation ultérieure.

Si vous avez reçu un appareil endommagé, veuillez communiquer immédiatement avec votre revendeur ou votre entrepreneur.

Niveau de compétence – L'installation de cet appareil exige des compétences de base en mécanique, menuiserie et plomberie. La responsabilité d'une installation adéquate relève de l'installateur. La garantie Monogram ne couvre pas les défauts du produit causés par une installation inadéquate. Consultez le manuel d'utilisation pour des renseignements sur la garantie.

AVERTISSEMENT **Risque d'électrocution.**

Branchez l'appareil dans une prise à 3 broches mise à la terre.

N'enlevez pas la broche de mise à la terre.

N'utilisez pas un adaptateur.

Cessez immédiatement l'utilisation d'un cordon électrique endommagé. Si le cordon électrique est endommagé, son remplacement doit être exécuté par un technicien en réparation qualifié au moyen d'un cordon de rechange autorisé par le fabricant.

N'utilisez pas un cordon de rallonge avec cet électroménager. Le non-respect de ces instructions peut occasionner un décès, un incendie ou un choc électrique.

Suivez les instructions de la section Mise à la terre de l'appareil. Le circuit électrique auquel cet électroménager sera raccordé doit comporter un disjoncteur ou un autre dispositif permettant de couper l'alimentation électrique à l'appareil après l'installation.

AVERTISSEMENT **Risque de basculement.**

Ces électroménagers sont lourds du haut, notamment lorsqu'une porte est ouverte, de sorte qu'ils doivent être fixés pour prévenir un basculement vers l'avant susceptible d'occasionner des blessures graves ou la mort. Lisez et observez la totalité des instructions d'installation pour connaître la façon de fixer l'électroménager sur le dispositif antibasculement.

AVERTISSEMENT **Risque d'incendie ou d'explosion.**

Gardez les matières et les vapeurs inflammables à distance de l'électroménager. L'omission de prendre cette précaution peut entraîner un incendie, une explosion ou la mort.

AVERTISSEMENT Pour réduire le risque d'étouffement pendant l'installation de ce produit, ne pas laisser les petites pièces à la portée des enfants âgés de moins de 3 ans.

AVERTISSEMENT **Risque lié à la manipulation d'un objet lourd**

Cet appareil est très lourd. Afin de réduire le risque de blessure pendant la manipulation et l'installation de cet électroménager, la participation de 3 personnes est nécessaire à l'exécution d'une installation correcte.

AVERTISSEMENT Gardez vos doigts éloignés des points de pincement. Les espaces entre les portes et ceux entre les portes et l'armoire sont particulièrement restreints. Soyez prudent lorsque vous fermez les portes en présence d'enfants.

Pour joindre le service Monogram de votre région, visitez monogram.com ou 800.444.1845.

Pour le service Monogram au Canada, visitez monogram.ca ou 800.561.3344.

Pour le service des Pièces et accessoires Monogram, visitez monogram.com ou 800.444.1845.

Pour le service des Pièces et accessoires Monogram au Canada, visitez monogram.ca ou 800.661.1616.

Contenu

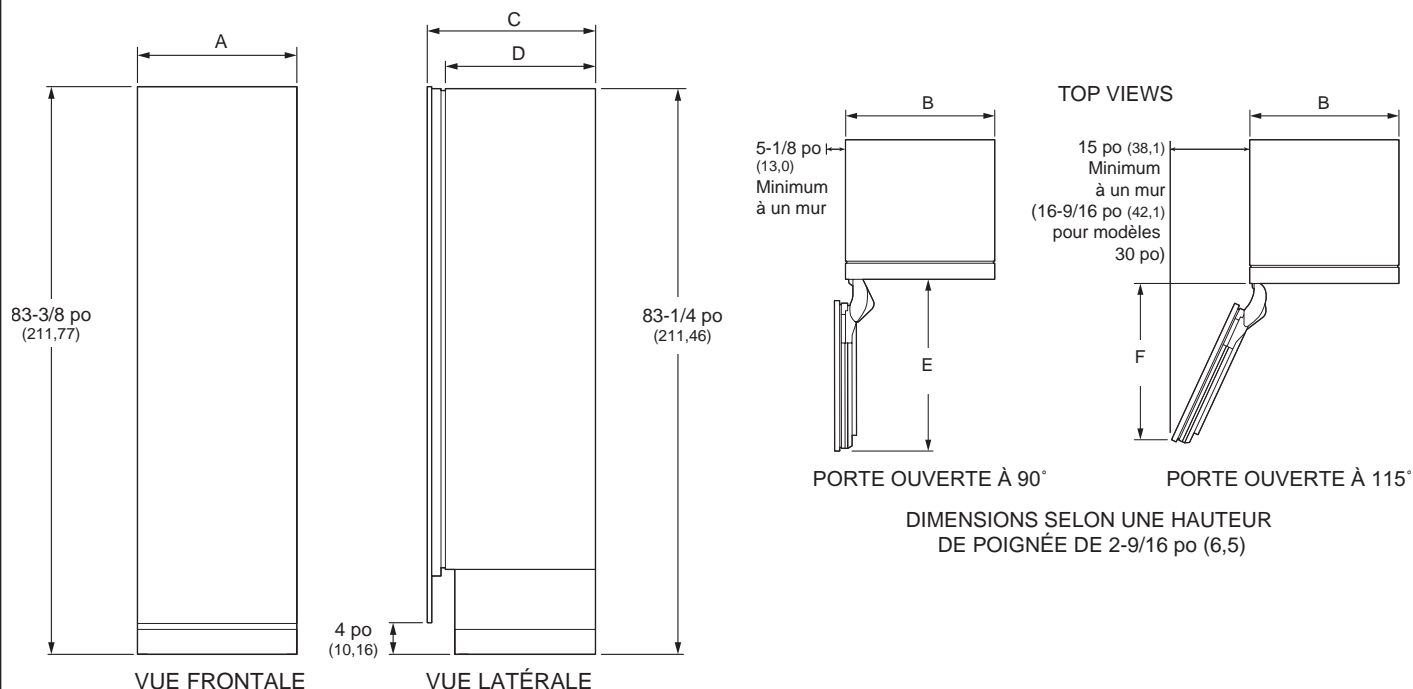
Sécurité	2	Instructions pour une installation intégrée simple	38
Guide de conception		Espace d'installation	39
Dimensions et dégagements	4	Outils, quincaillerie, matériaux	40
Accessoires/Trousses	5	Mise à la terre de l'appareil	40
Inversion du sens d'ouverture de porte	6	Plancher	40
Étape 1. Retrait de l'enceinte supérieure	7	Étape 1. Retrait de l'emballage	41
Étape 2. Enlèvement de la porte	7	Étape 2. Installez la conduite d'eau	41
Étape 3. Déplacement du panneau de commande	8	Étape 3. Préparation de l'appareil pour l'installation	42
Étape 4. Déplacement du boîtier d'interrupteur de lampe	8	Étape 4. Installation de la ferrure antibasculement	42
Étape 5. Réinstallation des supports de charnière	9	Étape 5. Raccordement de l'alimentation d'eau	42
Étape 6. Réinstallez l'enceinte	9	Étape 6. Placement et fixation dans l'encadrement	43
Étape 7. Réinstallez le couvercle d'accès frontal	10	Étape 7. Mise À Niveau De L'appareil	44
Étape 6. Enlèvement Des Charnières De La Porte	10	Étape 8. Préparation finale de l'extérieur3 de l'appareil	44
Étape 7. Supports et charnières de panneau	11	Étape 9. Préparation de l'intérieur de l'appareil	45
Étape 8. Réinstallation de la porte	11	Étape 10. Démarrage de la machine à glaçons	45
Instructions pour une installation intégrée double	12	Étape 11. Installation du distributeur et du pichet à remplissage automatique	46
Espace d'installation	13	Installation du panneau de porte en acier inoxydable	47
Outils, quincaillerie, matériaux	14	Étape 1. Installation du panneau superposé	48
Mise à la terre de l'appareil	15	Étape 2. Réglage du panneau en acier inoxydable	49
Plancher	15	Étape 3. Installation des couvercles de charnière	49
Étape 1. Retrait de l'emballage	15	Étape 4. Installation Des Garnitures De Porte	50
Étape 2. Installez la conduite d'eau	16	Installation de panneau décoratif personnalisé	51
Étape 3. Préparation de l'appareil pour l'installation	16	Guide de conception pour poignées personnalisées	52
Étape 4. Installation de la ferrure antibasculement	17	Dimensions d'un panneau décoratif personnalisé de 3/4 po	53
Étape 5. Accouplement Des Appareils Installés	18	Étape 1. Préparation du panneau superposé	53
Étape 6. Raccordement de l'alimentation d'eau	19	Étape 2. Installation du panneau superposé	54
Étape 7. Placement et fixation dans l'encadrement	19	Étape 3. Réglage du panneau superposé	54
Étape 8. Mise À Niveau De L'appareil	20	Étape 4. Installation des couvercles de charnière	55
Étape 9. Préparation finale de l'extérieur de l'appareil	21	Étape 5. Installation des garnitures de porte	55
Étape 10. Préparation de l'intérieur de l'appareil	22		
Étape 11. Démarrage de la machine à glaçons	22		
Étape 12. Installation du distributeur et du pichet à remplissage automatique	23		
Instructions pour une installation de conversion double	24		
Espace d'installation	25		
Outils, quincaillerie, matériaux	26		
Mise à la terre de l'appareil	26		
Plancher	26		
Étape 1. Retrait de l'emballage	27		
Étape 2. Installez la conduite d'eau	27		
Étape 3. Préparation de l'appareil pour l'installation	28		
Étape 4. Installation de la ferrure antibasculement	29		
Étape 5. Accouplement Des Appareils Installés	30		
Étape 6. Raccordement de l'alimentation d'eau	32		
Étape 7. Placement et fixation dans l'encadrement	33		
Étape 8. Mise À Niveau De L'appareil	34		
Étape 9. Préparation finale de l'extérieur de l'appareil	34		
Étape 10. Préparation de l'intérieur de l'appareil	36		
Étape 11. Démarrage de la machine à glaçons	36		
Étape 12. Installation du distributeur et du pichet à remplissage automatique	37		

Guide de conception

DIMENSIONS ET DÉGAGEMENTS

Les dimensions entre parenthèses sont en centimètres.

Dimensions hors tout



Dimensions		Modèles 18 po	Modèles 24 po	Modèles 30 po
A	Largeur totale – Avant	17-1/2" (44.5 cm)	23-1/2" (59.7 cm)	29-1/2" (74.9 cm)
B	Largeur totale – Arrière	17-1/4" (43.8 cm)	23-1/4" (59.1 cm)	29-1/4" (74.3 cm)
C	Profondeur totale	24-3/4" (62.9 cm)	24-3/4" (62.9 cm)	24-3/4" (62.9 cm)
D	Profondeur de la carrosserie	22-1/16" (56 cm)	22-1/16" (56 cm)	22-1/16" (56 cm)
E	Dégagement de porte à 90°	21-1/4" (53.9 cm)	27-1/4" (62.9 cm)	33-1/4" (84.5 cm)
F	Dégagement de porte à 115°	19-1/16" (48.4 cm)	24-1/2" (62.2 cm)	29-15/16" (76.0 cm)
	Largeur de l'ouverture	17-13/16" (45.3 cm)	23-13/16" (60.5 cm)	29-13/16" (75.7 cm)
	Hauteur de l'ouverture	84" (213.4 cm)	84" (213.4 cm)	84" (213.4 cm)
	Profondeur de l'ouverture	25" (63.5 cm)	25" (63.5 cm)	25" (63.5 cm)
	Poids	370 lbs (167.8 kg)	460 lbs (208.7 kg) (Réfrigérateur) 430 lbs. (195.0 kg) (Congélateur)	495 lbs (224.5 kg) (Réfrigérateur) Congélateur

Hauteur d'expédition.

Le produit peut être ajusté pour s'introduire dans une ouverture de 84 po (213,36 cm). Utilisez les pieds de nivellement et les roulettes pour un ajustement maximal en hauteur de 1 po (2,54 cm).

Dégagements du produit

Ces appareils sont dotés d'une butée de porte à 2 positions. L'ouverture de porte de 115° réglée à l'usine peut s'ajuster à 90° si le dégagement aux armoires ou aux murs adjacents est restreint.

Pour une ouverture de porte à 90°, prévoyez un dégagement minimal de 4 po (10,2 cm) à un mur.

Pour une installation dans un coin, prévoyez 15 po (38,1 cm) pour une pleine ouverture à 115° pour les modèles 18 et 24 po. Prévoyez 16-9/16 po (42,07 cm) pour les modèles 30 po.

Guide de conception

L'installation des réfrigérateurs et des congélateurs colonnaires Monogram peut se réaliser selon plusieurs configurations en fonction des situations. Trois situations d'installation seront décrites avec les instructions d'inversion de porte et deux options seront présentées pour l'installation de panneau de porte.

Inversion du sens d'ouverture de porte (tous les types d'installation)

Obtenir une ouverture de porte du réfrigérateur vers la gauche et du congélateur vers la droite. Cela DOIT être fait AVANT de retirer l'appareil du patin de manutention.

Instructions pour une installation intégrée double

Installation dans une nouvelle construction avec des ouvertures de 25 po (63,5 cm) de profondeur

Instructions pour une installation de conversion double

Installation dans une construction existante (ouvertures existantes) avec ouvertures d'une profondeur de 24 po et d'une largeur de 41-1/2 po ou 47-1/2 po.

Instructions pour une installation intégrée simple

Installation dans une nouvelle construction avec une ouverture de 25 po (63,5 cm) de profondeur

Instructions pour une installation de panneau de porte en acier inoxydable (tous les types d'installation)s

Installation d'une trousse de panneau de porte en acier inoxydable

Instructions pour une installation de panneau décoratif personnalisé (tous les types d'installation)

Installation de panneaux décoratifs personnalisés

ACCESSOIRES/TROUSSES

■ Trousse d'union d'éléments chauffants **ZKUN**

■ **WX08X10006** 8 Ft. Water Line

■ Trousse de garnitures de conversion 42 po **ZKR42N**

■ Trousse de garnitures de conversion 48 po **ZKR48N**

■ Trusses de panneau de porte en acier inoxydable

■ Coup-de-pieds en acier inoxydable pour installation double

42"	ZKK42P
48"	ZKK48P
54"	ZKK54P
60"	ZKK60P

ZK1SN189NLH	Panneau de porte en acier inoxydable - Gauche 18 po
ZK1SN184NRH	Panneau de porte en acier inoxydable - Droit 18 po
ZK1SN249NLH	Panneau de porte en acier inoxydable - Gauche 24 po
ZK1SN244NRH	Panneau de porte en acier inoxydable - Droit 24 po
ZK1SN309NLH	Panneau de porte en acier inoxydable - Gauche 30 po
ZK1SN304NRH	Panneau de porte en acier inoxydable - Droit 30 po
ZKSP1H1CNSS	Poignée Minimalist pour panneaux en acier inoxydable seulement
ZKSP1H1PNSS	Poignée Statement pour panneaux en acier inoxydable seulement

Inversion du sens d'ouverture de porte
Cette étape peut être exécutée pour tous les types d'installation.

Instructions d'installation - Inversion du sens d'ouverture de porte

⚠ AVERTISSEMENT

Suivez toutes les étapes pour inverser le sens d'ouverture de porte. L'omission de suivre ces instructions, de ne pas utiliser toutes les pièces, ou le serrage excessif des vis, peuvent causer la chute de la porte et occasionner des blessures ou des dommages à la propriété.

- Si l'installation nécessite l'inversion du sens d'ouverture de porte, suivez les instructions d'inversion de porte AVANT de retirer l'appareil du patin de manutention.
- Les instructions pour inverser une ouverture de porte de réfrigérateur à droite sont décrites dans les étapes suivantes.

⚠ AVERTISSEMENT

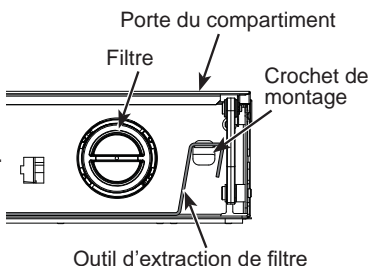


Risque de

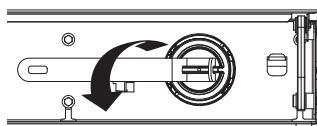
basculement. Ces électroménagers sont lourds du haut, notamment lorsqu'une porte est ouverte, de sorte qu'ils doivent être fixés pour prévenir un basculement vers l'avant susceptible d'occasionner des blessures graves ou la mort.

ÉTAPE 1 RETRAIT DE L'ENCEINTE SUPÉRIEURE

- Ouvrez le couvercle frontal de l'enceinte à 90°. Repérez le filtre et l'outil d'extraction du filtre. Le filtre doit se placer tel qu'illustré.

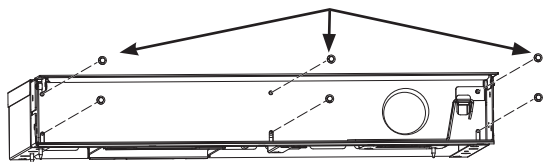


- Tournez le filtre de 1/4 de tour dans le sens contraire des aiguilles (utilisez l'outil d'extraction de filtre si nécessaire).



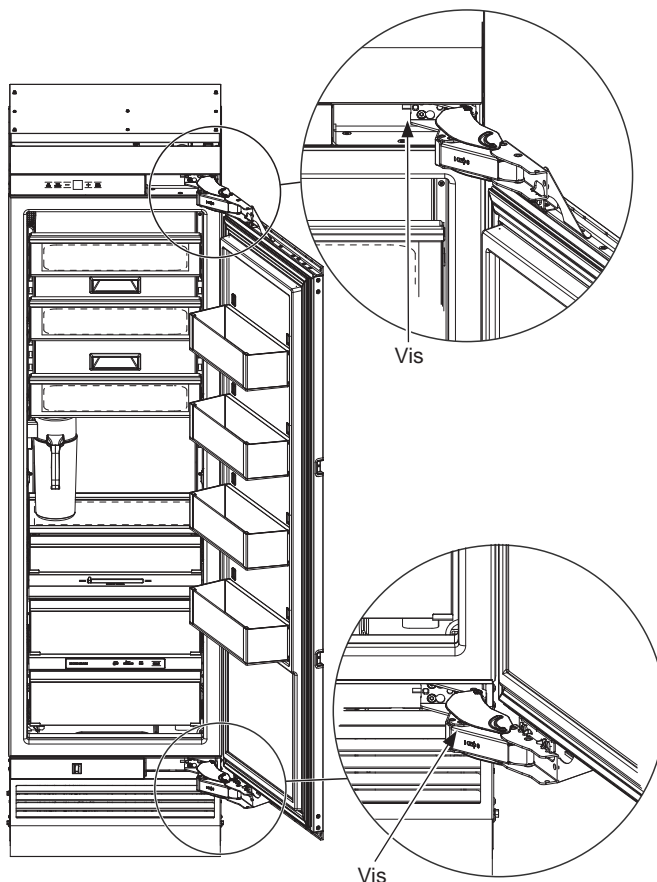
- Tirez le filtre vers vous pour le retirer. **NOTA** : Le système d'eau ne fonctionnera pas sans le filtre en place.
- Retirez 6 vis qui fixent l'enceinte frontale sur la carrosserie supérieure.

Vis hexagonales 1/4 po



ÉTAPE 2 ENLÈVEMENT DE LA PORTE

- Ouvrez la porte jusqu'à la position d'ouverture.
- Demandez à une autre personne de soutenir la porte ouverte
- Retirez les 2 vis Torx T30 qui fixent la charnière inférieure sur la carrosserie.



- Retirez les 2 vis Torx T30 qui fixent la charnière supérieure sur la carrosserie.
- Placez la porte sur une surface de travail protégée (pour prévenir les rayures), côté doublure vers le bas.

AVIS : Les charnières de porte vont demeurer dans la position ouverte durant la procédure d'inversion de porte.

⚠ AVERTISSEMENT



Risque de

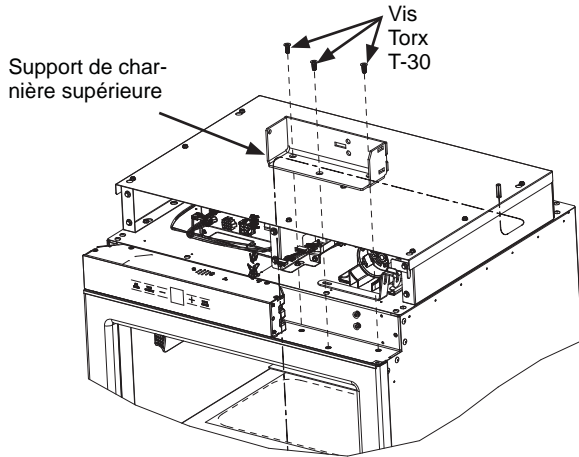
pincement de doigts

Les charnières de porte sont sous tension et doivent être laissées en position ouverte durant toute la procédure d'inversion. La fermeture de la charnière peut poser un risque de coincement de doigts.

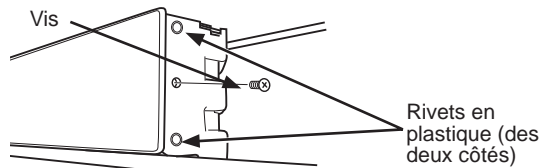
Instructions d'installation - Inversion du sens d'ouverture de porte

ÉTAPE 3 DÉPLACEMENT DU PANNEAU DE COMMANDE

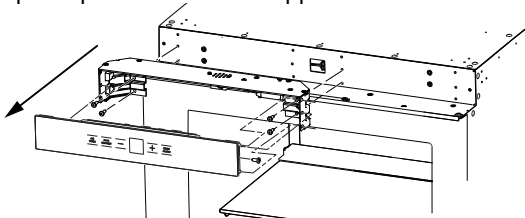
- Enlevez les supports de charnière supérieure en retirant trois vis Torx T-30.



- Retirez la vis cruciforme du centre du boîtier du côté charnière.

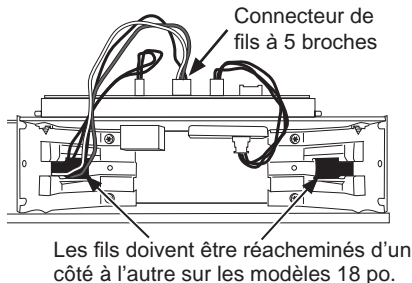


- Insérez une tournevis à lame plate ou un couteau à mastic entre la façade de verre et le côté en plastique puis dégagez le panneau de commande en écartant les rivets en plastique des trous du support latéral.



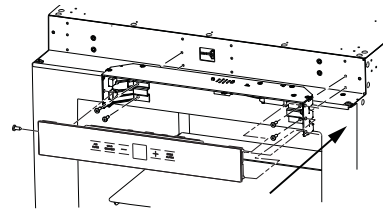
- Déposez le panneau en verre sur le dessus du boîtier du module de commande.
- Retirez 4 vis, 2 sur chaque extrémité, pour enlever le boîtier à l'aide d'un embout hexagonal 1/4 po.
- Déplacez le boîtier du côté opposé et installez-le à l'aide des 4 vis, 2 de chaque côté.

REMARQUE : Veillez à ne pas pincer les fils. Sur les modèles 18 po, le connecteur à 5 broches rouge/blanc/noir doit être débranché du module de commande, acheminé à travers le support de coin opposé, puis rebranché sur le module de commande afin de prévenir le coincement des fils.



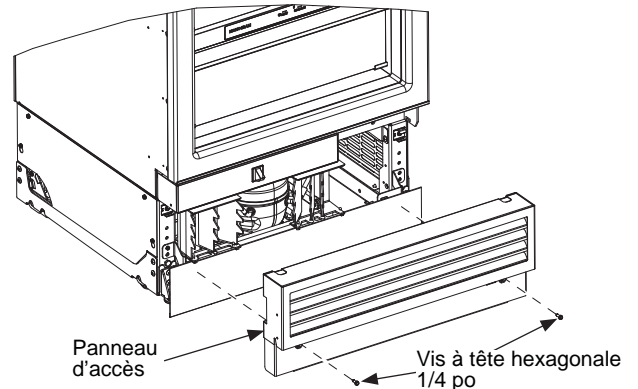
ÉTAPE 3 DÉPLACEMENT DU PANNEAU DE COMMANDE

- Fixez de nouveau le panneau en verre sur le boîtier de commande en vous assurant que les rivets en plastique s'encliquettent dans les trous du côté du boîtier.

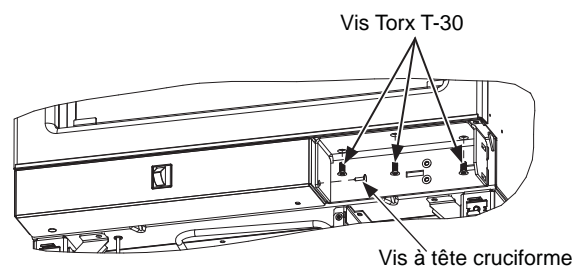


ÉTAPE 4 DÉPLACEMENT DU BOÎTIER D'INTERRUPTEUR DE LAMPE

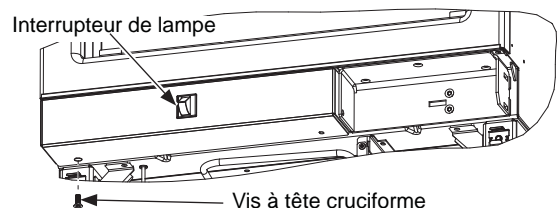
- Retirez le couvercle d'accès frontal de l'appareil en retirant les deux (2) Vis à tête hexagonale 1/4 po.



- Retirez d'abord la vis à tête cruciforme et les supports de charnière inférieure en retirant trois vis Torx T-30.



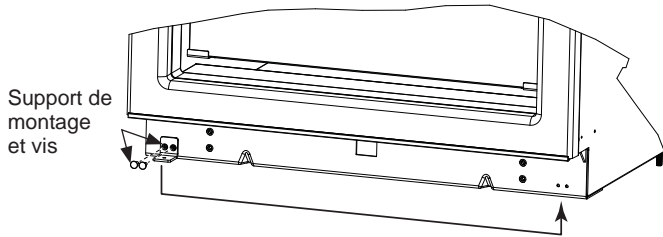
- À l'aide d'une visseuse munie d'un embout 1/4 po, retirez la vis dans le coin inférieur du boîtier de l'interrupteur de lampe.



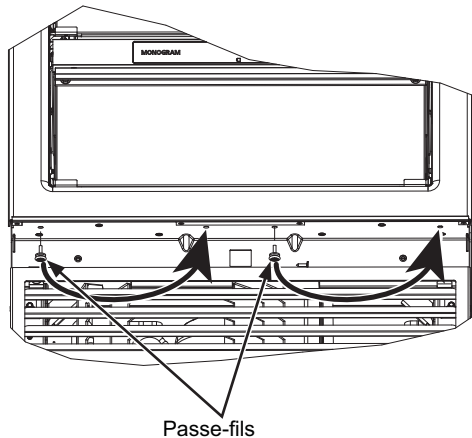
Instructions d'installation - Inversion du sens d'ouverture de porte

ÉTAPE 4 DÉPLACEMENT DU BOÎTIER D'INTERRUPTEUR DE LAMPE (Suite)

- Déplacez le support de montage de l'autre côté de l'unité en retirant deux vis à tête cruciforme et utilisez-les pour installer le support à son nouvel emplacement.

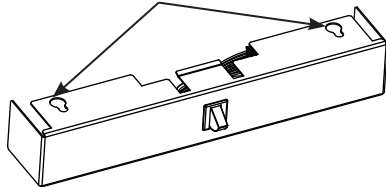


- Glissez le boîtier vers l'avant et le bas afin de le retirer de la carrosserie et des passe-fils dans le bas de carrosserie.
- En le gardant connecté à l'appareil, mettez le boîtier de côté.



- Retirez 2 passe-fils à l'aide d'un tournevis cruciforme.
- Déplacez les passe-fils sur la paire de 2 trous du côté opposé.
- Alignez les « trous de serrure » du boîtier au-dessus des passe-fils puis glissez le boîtier vers l'arrière pour l'insérer en place. Veillez à ne pas pincer les fils.

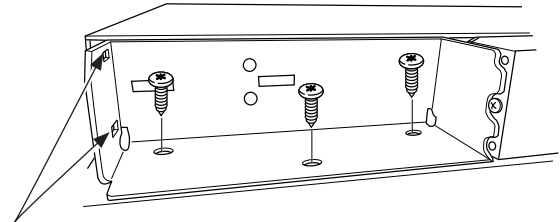
Trous piriformes du boîtier



- Installez la vis à tête cruciforme dans le trou inférieur et maintenez en place.

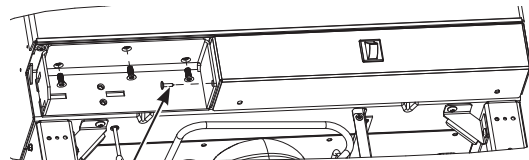
ÉTAPE 5 RÉINSTALLATION DES SUPPORTS DE CHARNIÈRE

- Déplacez le support de charnière supérieur dans le bas et le support de charnière inférieur dans le haut.
- Assurez-vous que les 2 fentes rectangulaires du support se trouvent sur l'extérieur, côté charnière de la carrosserie.



Fentes rectangulaires

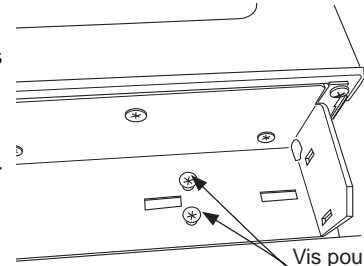
- Installez les deux supports à l'aide de 3 vis Torx T-30 serrées à 45 lb-po (5,1 N.m).



Vis à tête cruciforme

- Installez la vis à tête cruciforme.

- Commencez à visser 2 vis dans chaque support pour monter les charnières mais sans serrer jusqu'au bout.

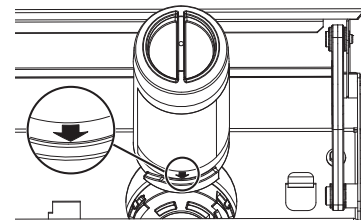
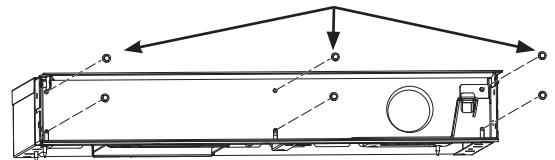


Vis pour supports de charnière

ÉTAPE 6 RÉINSTALLEZ L'ENCEINTE

- Installez l'enceinte assemblée à l'aide des six vis à tête hexagonale 1/4 po retirées précédemment.
- Repérez la flèche bleue sur le filtre. Tournez le filtre pour

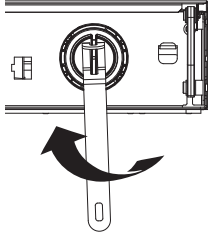
aligner la flèche comme illustré.



Instructions d'installation - Inversion du sens d'ouverture de porte

ÉTAPE 6 RÉINSTALLEZ L'ENCEINTE (suite)

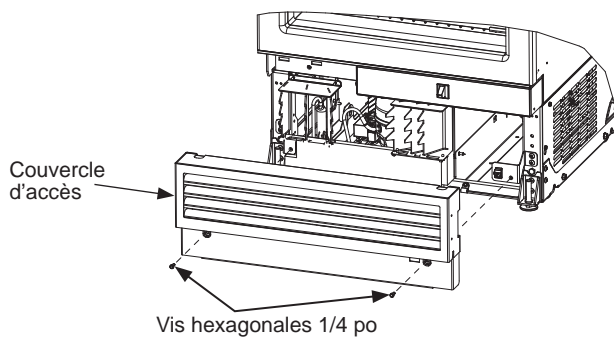
- Insérez le filtre en position et tournez-le de 1/4 de tour dans le sens des aiguilles (utilisez l'outil d'extraction de filtre si nécessaire).



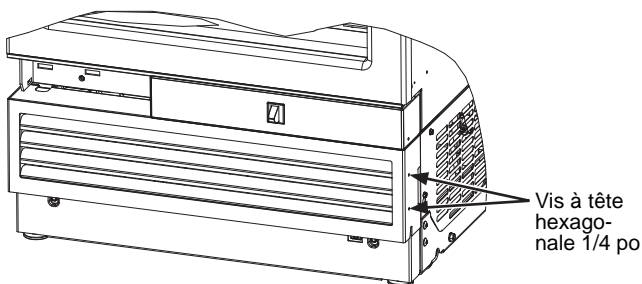
- Retournez l'outil d'extraction de filtre sur le crochet de montage.
- Fermez la porte du compartiment.

ÉTAPE 7 RÉINSTALLEZ LE COUVERCLE D'ACCÈS FRONTAL

- Remplacez le couvercle d'accès sur l'unité et fixez-le avec deux vis hexagonales 1/4 po.



- Vérifiez que les deux vis hexagonales 1/4 po sont installées du côté poignée des produits à la fois pour les colonnes congélateur et réfrigérateur.



ÉTAPE 8 ENLÈVEMENT DES CHARNIÈRES DE LA PORTE

⚠ AVERTISSEMENT

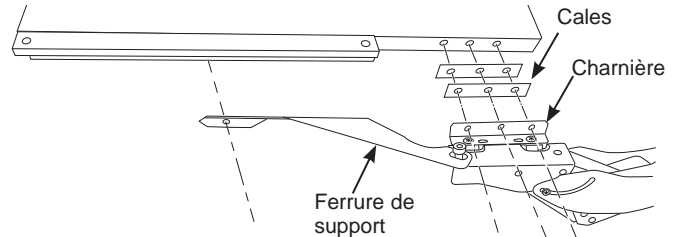


Risque de

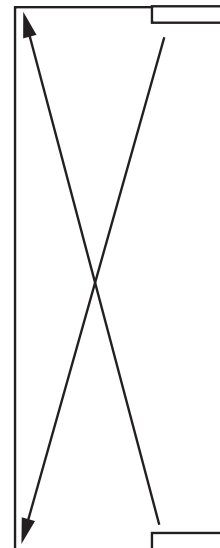
pincement de doigts

Les charnières de porte sont sous tension et doivent être laissées en position ouverte durant toute la procédure d'inversion. La fermeture de la charnière peut poser un risque de coincement de doigts.

- Retirez 3 vis qui fixent chaque charnière dans le haut et le bas de la porte, et une vis qui fixe la ferrure de support sur la porte (Torx T-30).



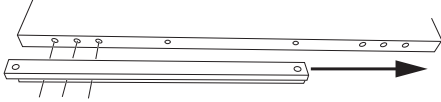
- Déplacez les charnières du côté opposé de la porte, charnière supérieure dans le bas et charnière inférieure dans le haut. Tous les éléments vont se déplacer ensemble : charnière, support en L déjà attaché à la charnière, et ferrure de support.
- 2 cales entre le support de charnière et la porte seront déplacées de l'autre côté, conservez-les pour installer la charnière.



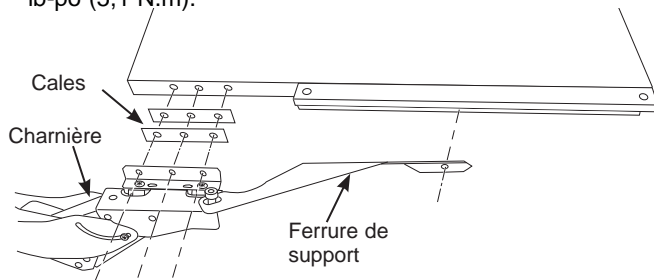
Instructions d'installation - Inversion du sens d'ouverture de porte

ÉTAPE 9 SUPPORTS ET CHARNIÈRES DE PANNEAU

- Enlevez les supports de panneau à chaque extrémité de la porte en retirant les vis Torx T30.



- Glissez le même support sur chaque extrémité de l'autre côté de la porte puis réinstallez les supports sur la porte.
- Installez les charnières sur la porte en vous assurant que 2 cales sont intercalées entre le support de charnière en L et la porte. Pour installer, utilisez 3 vis Torx T-30 serrées à 45 lb-po (5,1 N.m).



REMARQUE : Assurez-vous que le support en L demeure attaché à la charnière et qu'il se trouve du côté extérieur de la porte. La charnière est du côté intérieur de la porte.

RAPPEL : Les charnières doivent être déplacées du haut vers le bas et du bas vers le haut.

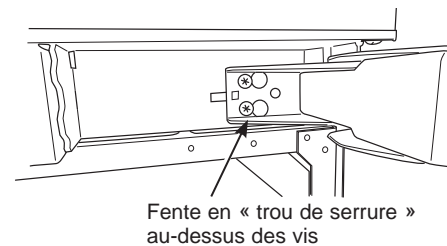
- Installez la vis de la ferrure de support à travers la ferrure de support et le support de panneau.

ÉTAPE 10 RÉINSTALLATION DE LA PORTE

⚠ AVERTISSEMENT

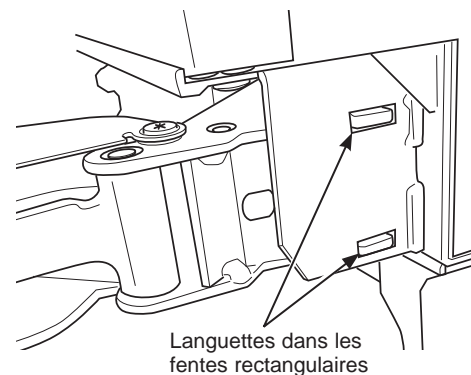
Suivez toutes les étapes pour inverser le sens d'ouverture de porte. L'omission de suivre ces instructions, de ne pas utiliser toutes les pièces, ou le serrage excessif des vis, peuvent causer la chute de la porte et occasionner des blessures ou des dommages à la propriété.

- Assurez-vous que 2 vis de charnière ne sont que partiellement vissées dans les supports de charnière sur la carrosserie.
- Avec la participation d'une deuxième personne, tenez la porte avec les charnières près de la position correcte.
- Installez les charnières supérieures avec les « trous de serrure » au-dessus des vis puis glissez le support.



- Répétez dans le bas.

REMARQUE : Assurez-vous que les 2 languettes des charnières sont insérées dans les fentes rectangulaires l'extérieur des supports de charnière AVANT de serrer les vis.



- Serrez les vis inférieures au couple de 45 lb-po (5,1 N.m).
- Serrez les vis supérieures au couple de 45 lb-po (5,1 N.m).
- Avec précaution, assurez-vous que la porte se ferme correctement et que le joint d'étanchéité s'aligne sur la carrosserie.

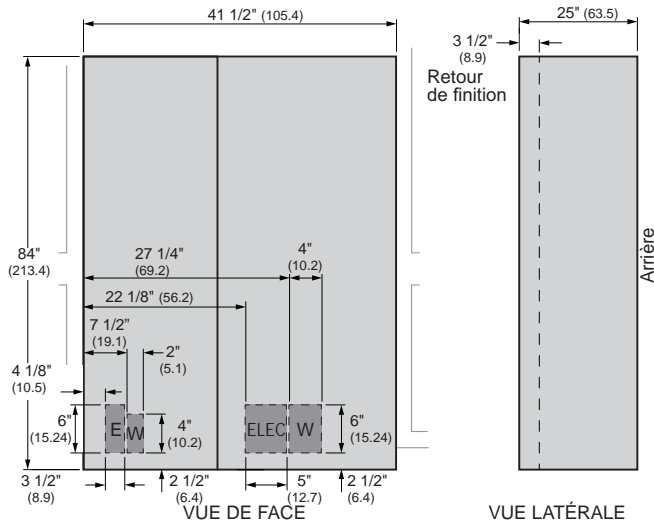
Instructions pour une installation intégrée double
Installation dans une nouvelle construction avec des ouvertures
de 25 po (63,5 cm) de profondeur

Guide de conception – Instructions pour une installation intégrée double

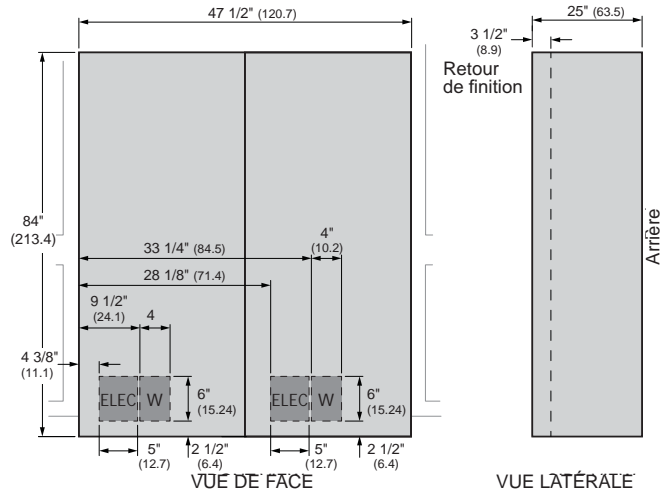
DIMENSIONS D'UNE INSTALLATION INTÉGRÉE DOUBLE

Les dimensions entre parenthèses sont en centimètres.

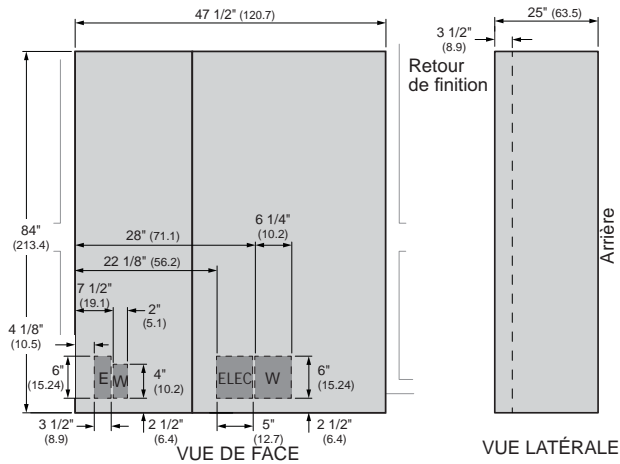
Congélateur intégré 18 po Réfrigérateur intégré 24 po



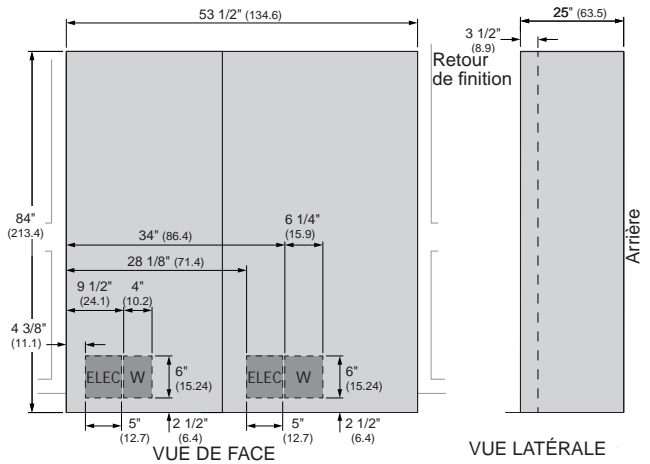
Congélateur intégré 24 po Réfrigérateur intégré 24 po



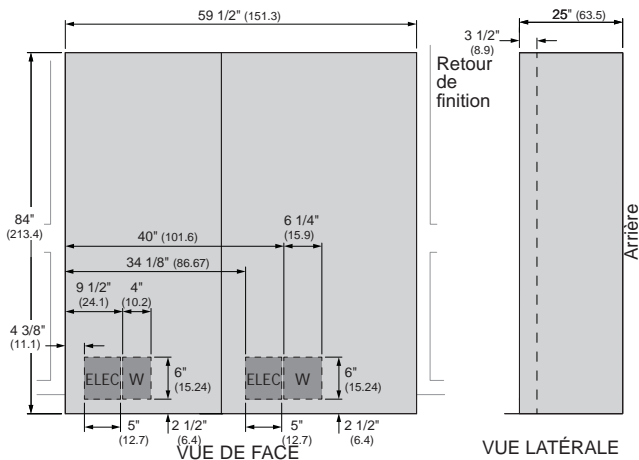
Congélateur intégré 18 po Réfrigérateur intégré 30 po



Congélateur intégré 24 po Réfrigérateur intégré 30 po



Congélateur intégré 30 po Réfrigérateur intégré 30 po



Guide de conception – Instructions pour une installation intégrée double

DIMENSIONS D'UNE INSTALLATION INTÉGRÉE DOUBLE

Position des tuyaux d'eau et du câblage électrique

Les alimentations d'eau et électrique doivent se situer comme illustré.

La profondeur de l'ouverture doit être de 25 po

Les dimensions de l'ouverture sont basées sur l'installation de 2 produits avec une ouverture de porte vers la gauche et vers la droite.

Une trousse d'union d'éléments chauffants ZKUN est requise.

Dégagements du produit

Ces appareils sont dotés d'une butée de porte à 2 positions. L'ouverture de porte de 115° réglée à l'usine peut s'ajuster à 90° si le dégagement aux armoires ou aux murs adjacents est restreint.

Pour une ouverture de porte à 90°, prévoyez un dégagement minimal de 4 po (10,2 cm) à un mur.

Pour une installation dans un coin, prévoyez 15 po (38,1 cm) pour une pleine ouverture à 115° pour les modèles 18 et 24 po. Prévoyez 16-1/2 po (41,9 cm) pour les modèles 30 po.

Spécifications supplémentaires

- Une alimentation électrique distincte de 115 volts, 60Hz, 15 ou 20 ampères, est recommandée pour chaque produit. Un circuit de dérivation ou un disjoncteur distincts correctement mis à la terre sont recommandés. Installez une prise électrique à trois alvéoles correctement mise à la terre encastrée dans le mur arrière. Le câblage électrique doit se situer sur le mur arrière comme illustré.
- Le tuyau d'eau doit se situer sur le mur arrière comme illustré. Le tuyau d'eau doit être en cuivre d'un diamètre extérieur de 1/4 po ou un tuyau de la trousse QuickConnect™ (WX08X10006) qu'il faut installer entre la conduite d'eau froide et le raccord d'alimentation d'eau, d'une longueur suffisante pour atteindre le devant de l'appareil (8 pi [2,4 m]). L'installation d'un robinet de sectionnement aisément accessible est requise.
- Un retour de finition d'un minimum de 3 1/2 po (9 cm) s'harmonisant avec l'extérieur des armoires est recommandé sur l'intérieur de tous les côtés et sur le devant dans le haut de l'ouverture.

EMPLACEMENT DU RÉFRIGÉRATEUR/ CONGÉLATEUR

- N'installez pas le réfrigérateur/congélateur à un endroit où la température est susceptible de descendre en dessous de 55 °F (13 °C). L'appareil ne fonctionnera pas suffisamment souvent pour maintenir les températures appropriées.
- N'installez pas le réfrigérateur/congélateur à un endroit où la température dépassera 100 °F (37 °C). L'appareil ne fonctionnera pas correctement.
- N'installez pas le réfrigérateur/congélateur dans un endroit exposé à l'eau (pluie, etc.) ou aux rayons directs du soleil.
- Installez l'appareil sur un plancher suffisamment robuste pour supporter son poids à pleine capacité.

QUINCAILLERIE FOURNIE (par appareil)

- Bouchon de dérivation de filtre à eau (le cas échéant)
- Filtre à air (le cas échéant)
- Ferrure antibasculement
- 3 tirefonds
- 3 vis Tapcon
- 3 boulons à ailettes
- Gabarits pour installation de panneaux
- 2 garnitures de porte
- 2 supports de panneau de porte
- Vis de serrage
- Vis à bois cruciformes no 6
- Cache de support de porte
- Vis T30
- 1 cheville de limitation de charnière
- Support de panneau de porte central
- Vis Hi-Lo et la rondelle carrée
- Coup de pied en acier inoxydable
- Vis de panneau d'accès peintes
- Vis T10

OUTILS ET MATÉRIEL REQUIS

- Cisaille à tôle
- Tournevis cruciformes nos 1 et 2
- Tournevis à lame plate
- Couteau à mastic
- Ruban à mesurer
- Perceuse et forets 1/16, 5/64, 3/16 po
- Foret à béton 5/32 po (si antibasculement posé sur béton)
- Visseuse/douille 1/4, 3/8, 1/2, 7/16 po
- Clé ouverte 7/16 po
- Visseuse/embout T10, T20, T30
- Visseuse hexagonale 1/8, 1/4 po (clé Allen)
- Niveau
- Robinet de sectionnement d'eau (facultatif mais recommandé)
- Conduite d'eau 8 pi (une par appareil raccordé à l'eau)
- Ruban-cache
- Alcool à friction
- Clé à molette
- Poinçon
- Trousse d'union d'éléments chauffants (ZUGCA)
- Trousses de porte en acier inoxydable (le cas échéant)
- Panneaux personnalisés pour portes (le cas échéant)
- Trousses de poignée (le cas échéant)
- Petite clé à cliquet

Instructions d'installation – Instructions pour une installation intégrée double

PIÈCES FOURNIES AVEC LA TROUSSE ZKUN :

Élément chauffant adhésif
Transformateur
Meneau avant
Support de garniture
Support d'union supérieur
Support d'union avant inférieur
Vis 8-18 de 3 1/4 po de long à tête hexagonale 5/8 po
Vis 8-32 de 5 1/4 po de long à tête hexagonale 5/8 po
Vis ¼-20 de 5 3/8 po de long à tête hexagonale 1/2 po
4 attaches de fil

Outils et matériel requis :

Tournevis/douilles 1/4 et 3/8 po
Tournevis cruciforme no 2
Alcool à friction

MISE À LA TERRE DE L'APPAREIL

⚠ AVERTISSEMENT Risque d'électrocution

Le non-respect de ces instructions peut occasionner un décès, un incendie ou un choc électrique

Le cordon d'alimentation de cet appareil est muni d'une fiche à 3 broches (mise à la terre) qui se branche dans une prise murale ordinaire à 3 alvéoles (mise à la terre) pour réduire au minimum les risques de chocs électriques.

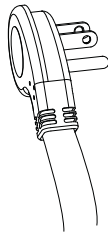
Faites examiner la prise de courant et le circuit par un électricien qualifié pour vous assurer que la prise est correctement mise à la terre.

Dans le cas d'une prise biphasée (2 alvéoles), l'installateur a la responsabilité et l'obligation de la remplacer par une prise triphasée correctement mise à la terre.

EN AUCUN CAS, NE COUPEZ NI NE RETIREZ LA TROISIÈME BROCHE (TERRE) DU CORDON ÉLECTRIQUE.

N'UTILISEZ PAS UNE FICHE D'ADAPTATION POUR BRANCHER LE RÉFRIGÉRATEUR DANS UNE PRISE À DEUX BORNES.

N'UTILISEZ PAS UN CORDON DE RALLONGE AVEC CET APPAREIL.



PLANCHER

Une installation correcte exige que ce produit soit placé sur la surface de niveau d'un matériau solide de la même hauteur que le reste du plancher. Cette surface doit être suffisamment robuste pour supporter un réfrigérateur ou un congélateur totalement rempli, ou environ 1 200 lb (545 kg) par appareil.

REMARQUE : Protégez le fini du plancher.

REMARQUE : Non recommandé pour une installation sur moquette.

ÉTAPE 1 RETRAIT DE L'EMBALLAGE

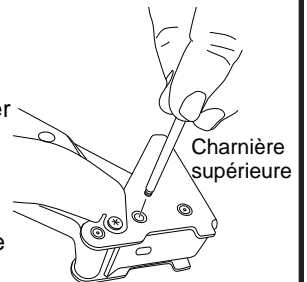
⚠ AVERTISSEMENT Risque de basculement.

Cet électroménager est lourd du haut. Usez d'extrême prudence en le déplaçant afin de prévenir un basculement susceptible d'occasionner des blessures graves ou la mort.

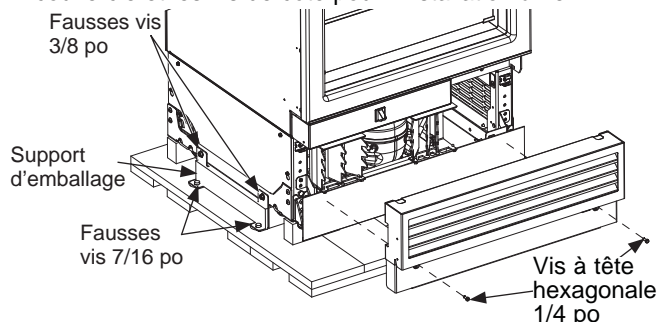
- Retirez la boîte extérieure et autres parties de l'emballage extérieur des appareils.
- Vérifiez l'absence de dommages.
- Si l'installation nécessite l'inversion du sens d'ouverture de porte, suivez les instructions de la section Inversion du sens d'ouverture de porte AVANT de retirer l'appareil du patin de manutention.
- Assurez-vous que le plancher sur lequel reposeront les appareils est propre et exempt de débris pouvant s'agglutiner ou coincer l'avant des roulettes et endommager le plancher. Il est aussi recommandé que le plancher soit protégé par un recouvrement plastique pendant la durée de l'installation.
- Retirez la trousse de quincaillerie du tiroir supérieur.
- Si l'installation doit permettre l'ouverture d'une porte à 90°, une cheville de limitation de charnière doit être installée sur la charnière supérieure AVANT de retirer l'appareil de la plateforme de manutention.

La cheville de limitation se trouve dans la trousse de quincaillerie.

- Ouvrez la porte à environ 45° sans dépasser 90° afin d'exposer le trou dans le support de charnière arrière, puis posez la cheville de limitation. La cheville de limitation doit reposer à fond dans le support sinon la porte ne fermera pas correctement.



- Enlevez le couvercle d'accès frontal de l'appareil en retirant deux vis à tête hexagonale 1/4 po. (Certains modèles sont munis d'un panneau d'accès dans une boîte du côté gauche de la carrosserie.) Mettez le couvercle et les vis de côté pour l'installation à venir.



- Retirez trois fausses vis 3/8 po et deux fausses vis 7/16 po de chaque côté de l'appareil afin de le libérer du patin de manutention. Inclinez l'appareil depuis un côté suffisamment pour retirer le matériel d'emballage qui se trouve en dessous, mais au-dessus du patin de manutention. (deux côtés).
- AVEC PRÉCAUTION, roulez l'appareil pour le dégager du côté arrière du patin de manutention.
- Manipulez l'appareil depuis le côté seulement à l'aide d'un chariot.

ÉTAPE 2 INSTALLEZ LA CONDUITE D'EAU

⚠ AVERTISSEMENT Raccordez l'appareil à une alimentation d'eau potable seulement. Une alimentation d'eau froide est requise pour faire fonctionner la machine à glaçons et le pichet à remplissage automatique. La pression d'eau doit se situer entre 40 et 120 psi. (275 à 827 kPa).

⚠ AVERTISSEMENT  RISQUE DE DÉCHARGE ÉLECTRIQUE

Fixez le collier de serrage dans le trou présent seulement. NE PERCEZ PAS dans le réfrigérateur.

Fermez l'alimentation d'eau principale.

Ouvrez le robinet le plus près suffisamment longtemps pour nettoyer la conduite d'eau.

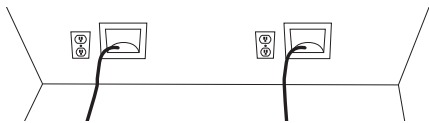
- Installez un robinet de sectionnement entre le robinet d'eau et le tuyau d'eau froide dans le sous-sol ou une armoire. Le robinet de sectionnement doit être situé à un endroit aisément accessible.
- Ouvrez l'alimentation d'eau principale et rincez les débris. Faites couler environ un litre d'eau à travers le tuyau aboutissant dans un seau. Coupez l'alimentation d'eau au robinet de sectionnement.

REMARQUE : Des robinet de sectionnement à étrier sont inclus dans plusieurs trousse d'alimentation d'eau. Avant d'acheter, assurez-vous qu'un robinet de sectionnement à étrier satisfait les codes de plomberie de votre région.

REMARQUE : Les codes de plomberie 248CMR du Commonwealth du Massachusetts doivent être satisfaits. Les robinets à étrier sont illégaux et leur utilisation prohibée dans le Massachusetts. Consultez votre plombier agréé.

- Acheminez le tuyau de cuivre 1/4 po (D.E.) ou le tuyau plastique SmartConnect™ (WX08X10006) entre la conduite d'eau froide du domicile et le raccord d'eau sur le devant de l'appareil.

Des trousse de tuyau pour réfrigérateur SmartConnect™ sont disponibles. Un tuyau d'eau de 8 pi (2,4 m) (WX08X10006) est nécessaire pour chaque appareil. Le ou les tuyaux d'eau seront fixés au plancher avec du ruban cache après la pose de la ferrure antibasculement.



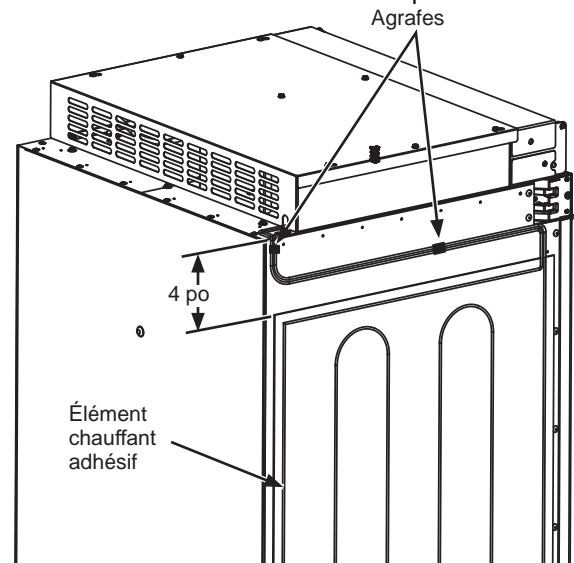
- Le tuyau doit être suffisamment long pour atteindre le devant de l'appareil. Prévoyez une longueur de tuyau suffisante pour la courbe menant au raccord de la conduite d'eau. L'appareil doit être incliné sur le côté afin d'acheminer le tuyau d'eau en dessous et jusqu'à l'avant de l'électroménager.

REMARQUE : Les seuls tuyaux en plastique approuvés par GE Appliances sont ceux inclus dans les trousse de tuyaux pour réfrigérateur SmartConnect™. N'utilisez pas d'autres tuyaux d'alimentation d'eau en plastique car ils seront sous pression constamment. D'autres types de plastique peuvent se fissurer ou se rompre avec le temps et occasionner des dégâts d'eau dans votre domicile.

ÉTAPE 3 PRÉPARATION DE L'APPAREIL POUR L'INSTALLATION

NOTE: Assurez-vous que le cordon de connexion de l'élément chauffant est orienté vers le haut de l'unité une fois installé.

- Placez l'unité de droite devant l'ouverture de l'installation de façon que l'unité se trouve devant l'endroit prévu une fois installé.
- Déballez la trousse d'union d'éléments chauffants (ZKUN) et assurez-vous que toutes les pièces de la liste sont incluses.
- Installez l'élément chauffant adhésif sur l'extérieur de l'unité du côté gauche de la carrosserie. Installez l'élément chauffant à 4 po en dessous du dessus de la carrosserie. L'élément chauffant doit être centré d'avant en arrière sur la face arrière de la carrosserie métallique.



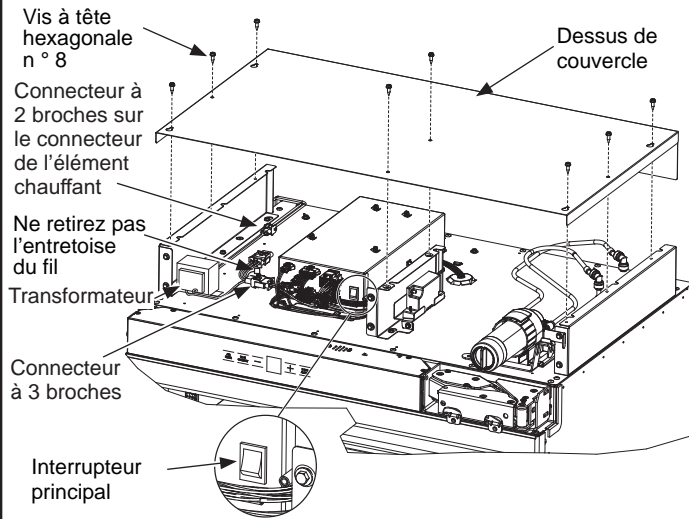
⚠ AVERTISSEMENT  Risque

d'électrocution. Pour prévenir le risque d'électrocution, assurez-vous que le cordon électrique n'est pas branché dans la prise murale.

- Installez le transformateur dans l'assemblage supérieur de la carrosserie :
 1. Enlevez le dessus du couvercle en retirant huit vis hexagonales no 8 et conservez-les pour réassembler le dessus de couvercle.
 2. Placez le transformateur dans le dessus de carrosserie fourni dans la trousse ZKUN kit et fixez-le avec les vis hexagonales (1/4 po) sur le devant gauche du dessus de carrosserie.
 3. Branchez le connecteur du transformateur à 2 broches sur le connecteur de l'élément chauffant, et le connecteur à 3 broches sur le panneau de commande, en vous assurant que les languettes de verrouillage sont bien insérées.
 4. **NOTE:** Vérifiez que l'interrupteur principal est ouvert (ON).
 5. Montez le dessus de couvercle avec les vis conservées à l'étape précédente.

Instructions d'installation – Instructions pour une installation intégrée double

ÉTAPE 3 PRÉPARATION DE L'APPAREIL POUR L'INSTALLATION (Suite)



La partie haute de l'assemblage de l'enceinte n'est pas illustrée par souci de clarté.

ÉTAPE 4 INSTALLATION DE LA FERRURE ANTIBASCULEMENT

⚠ AVERTISSEMENT



Risque de

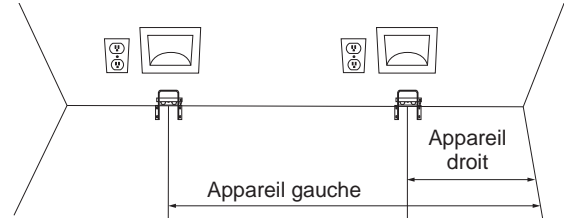
basculement. Ces électroménagers sont lourds du haut, notamment lorsqu'une porte est ouverte, de sorte qu'ils doivent être fixés pour prévenir un basculement vers l'avant susceptible d'occasionner des blessures graves ou la mort. Lisez et observez la totalité des instructions d'installation pour connaître la façon de fixer l'électroménager sur le dispositif antibasculement.

- Retirez la ferrure antibasculement de la trousse de quincaillerie.
- La ferrure antibasculement doit être montée sur le mur arrière ou jusqu'à un maximum de 27 po (68,6 cm) depuis le devant de l'ouverture. Utilisez le montage sur plancher si la ferrure n'ira pas au mur (la visserie pour cette ferrure est fournie pour un montage sur bois, montants d'acier ou béton).

Appareil gauche			Appareil droit	Appareil
18"	24"	30"		
26-5/8" 67.6 cm	23-1/2" 59.7 cm	23-1/2" 59.7 cm	8-7/8" 22.5 CM	18"
32-5/8" 82.8 cm	29-1/2" 74.9 cm	29-1/2" 74.9 cm	5-3/4" 14.5 CM	24"
38-5/8" 98.1 cm	35-1/2" 90.1 cm	35-1/2" 90.1 cm	5-3/4" 14.5 CM	30"

ÉTAPE 4 INSTALLATION DE LA FERRURE ANTIBASCULEMENT (Suite)

- En vous reportant au tableau ci-dessus, mesurez et marquez la distance depuis le côté droit de l'ouverture selon la largeur du modèle à installer.

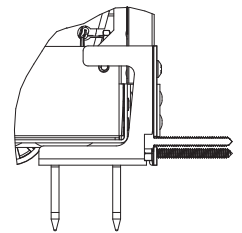


- En vous reportant au tableau ci-dessus, mesurez et marquez la distance depuis le côté droit de l'ouverture, selon votre combinaison des appareils gauche et droit. Par exemple, si vous installez un appareil gauche de 18 po et un appareil droit de 30 po, mesurez 5 3/4 et 38 5/8 po.
- Posez la ferrure antibasculement en la centrant par rapport aux marques et à égalité du plancher, comme illustré. Marquez 3 trous pour le montage sur mur et 4 trous pour le montage sur plancher.

MONTAGE SUR BOIS : Percez un trou de guidage de 2 po de profondeur avec un foret 3/16 po, puis posez des tirefonds à l'aide d'une visseuse 7/16 po.

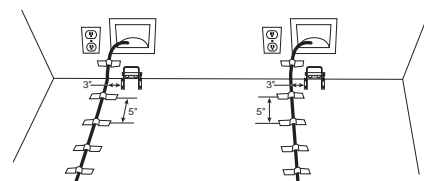
MONTAGE SUR BÉTON : Percez un trou de guidage de 2 po de profondeur avec un foret 5/32 po, puis posez des vis Tapcon à l'aide d'une visseuse 7/16 po.

MONTAGE SUR ACIER : Percez un trou de guidage avec un foret 1/2 po, puis posez les boulons à l'aide d'une visseuse 7/16 po.



La ferrure doit être vissée dans le **PLANCHER** ou le **MUR ARRIÈRE**.

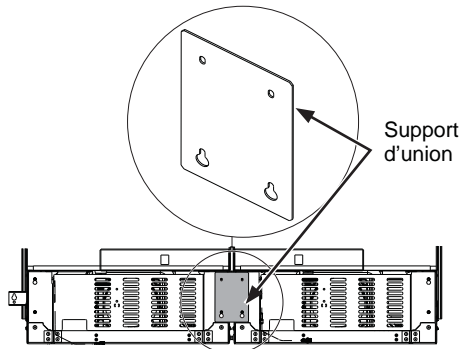
- Si l'enceinte est plus profonde que 25 1/2 po, la ferrure antibasculement doit être fixée au plancher à 25 po du devant de l'enceinte.
- Fixez le tuyau d'eau avec du ruban-cache sur le mur et le plancher à environ 3 po à la gauche de la ferrure antibasculement. Appliquez du ruban tous les 5 po vers le devant de l'ouverture (le ruban empêchera l'appareil de rouler sur le tuyau d'eau pendant l'installation). N'appliquez pas de ruban près du devant de l'armoire afin qu'il demeure dissimulé sous l'appareil.



ÉTAPE 5 ACCOUPLEMENT DES APPAREILS INSTALLÉS

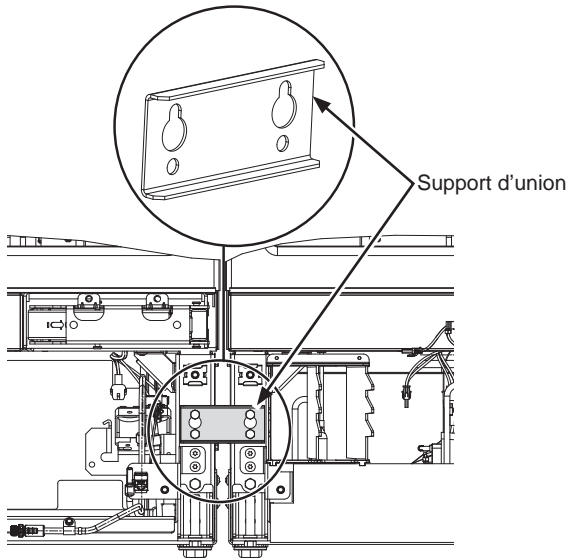
UNION DE LA PARTIE INFÉRIEURE ARRIÈRE

- Desserrez les deux vis inférieures des couvercles d'accès arrière des deux unités et retirez les vis supérieures.
- Accrochez le support d'union sur les vis inférieures et réinstallez les vis dans le haut.
- Serrez les vis pour réunir les unités.



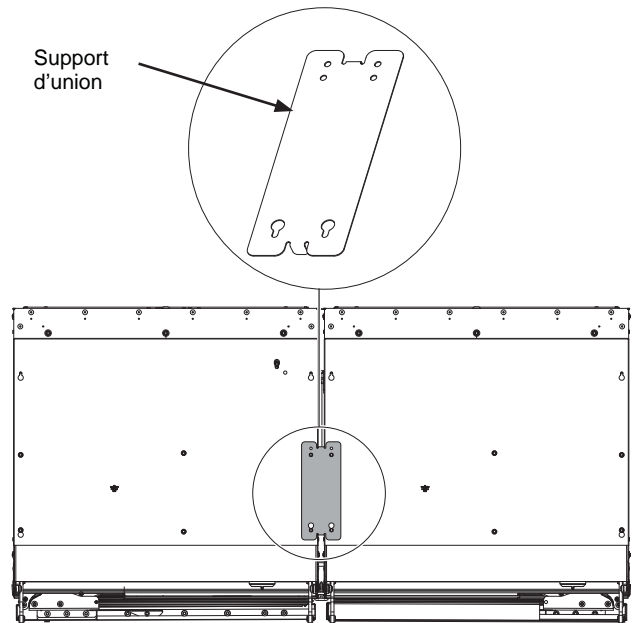
UNION DE LA PARTIE INFÉRIEURE ARRIÈRE

- Installez le support d'union inférieur avant à l'aide d'une visseuse 3/8 po (4 vis).



UNION DE LA PARTIE SUPÉRIEURE

- Desserrez les deux vis frontales dans le haut de l'unité et retirez les deux vis du milieu.
- Montez le support sur les deux vis frontales et réinstallez les vis du milieu.
- Serrez les vis pour réunir les unités.



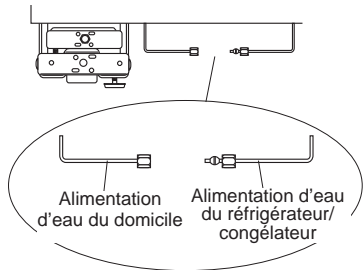
Devant des électroménages

ÉTAPE 6 RACCORDEMENT DE L'ALIMENTATION D'EAU

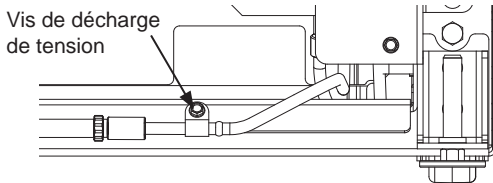
⚠ AVERTISSEMENT Raccordez l'appareil à une alimentation d'eau potable seulement. Une alimentation d'eau froide est requise pour faire fonctionner la machine à glaçons et le pichet à remplissage automatique. La pression d'eau doit se situer entre 40 et 120 psi. (275 à 827 kPa).

⚠ AVERTISSEMENT  **RISQUE DE DÉCHARGE ÉLECTRIQUE**

Fixez le collier de serrage dans le trou présent seulement. NE PERCEZ PAS dans le réfrigérateur.



- Repérez et acheminez le tuyau à l'avant de l'armoire.
- Ouvrez l'alimentation d'eau pour rincer les débris de la conduite. Faites couler environ un litre d'eau à travers le tuyau aboutissant dans un seau, puis fermez l'alimentation d'eau.
- Retirez la vis de décharge de tension pour laisser suffisamment de jeu pour le raccordement d'eau. (La vis doit être reposée à l'étape suivante.)



Tuyau de cuivre :

- Enfiler un écrou 1/4 po et une bague d'extrémité (fournis) aux deux bouts du tuyau de cuivre. Insérez le tuyau dans le raccord union sur l'appareil et serrez l'écrou sur le raccord union.
- Ouvrez l'alimentation d'eau pour vérifier l'absence de fuites.

Tuyau SmartConnect™ :

REMARQUE : Les seuls tuyaux en plastique approuvés par GE Appliances sont ceux inclus dans les trousse de tuyaux pour réfrigérateur SmartConnect™. N'utilisez pas d'autres tuyaux d'alimentation d'eau en plastique car ils seront sous pression constamment. D'autres types de plastique peuvent se fissurer ou se rompre avec le temps et occasionner des dégâts d'eau dans votre domicile.

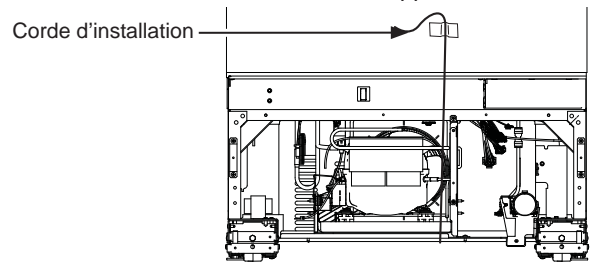
- Insérez l'extrémité moulée du tube dans le raccord du réfrigérateur ou du congélateur. Serrez l'écrou à compression à la main.
- Suivez les instructions fournies avec la tuyauterie. Un serrage excessif peut causer des fuites!
- Ouvrez l'alimentation d'eau pour vérifier l'absence de fuites.

ÉTAPE 7 PLACEMENT ET FIXATION DANS L'ENCADREMENT

⚠ AVERTISSEMENT  **Risque**

d'électrocution. Afin de réduire le risque d'électrocution, usez de prudence lors des étapes d'installation suivantes afin de ne pas toucher au câblage ou composants électriques à l'intérieur du compartiment du compresseur une fois que l'électroménager est branché sans le couvercle d'accès refermé.

- Branchez les deux appareils dans la prise murale.
- Repérez la corde d'installation attachée sur la porte de l'appareil; elle sert lorsque vous poussez l'appareil dans l'ouverture. Cette corde est attachée au cordon électrique; à mesure que vous poussez l'appareil dans l'ouverture, vous devez tirer fermement pour vous assurer que le cordon d'alimentation est acheminé sous l'appareil.



- Poussez lentement les deux appareils dans l'ouverture en vous assurant de ne pas toucher aux armoires des côtés et du dessus afin de prévenir les dommages. Les deux façades de porte doivent se trouver à 7/8 po derrière la face avant des armoires environnantes, autant pour l'installation d'un panneau en acier inoxydable que pour un panneau personnalisé.

⚠ AVERTISSEMENT  **Trisque de**

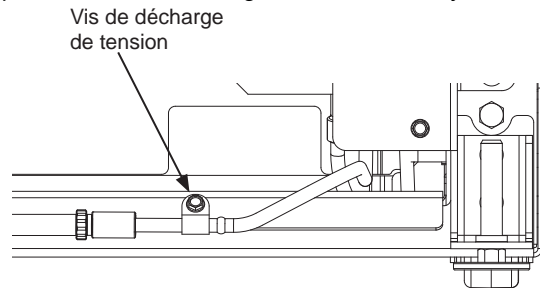
basculement. Ces électroménagers sont lourds du haut, notamment lorsqu'une porte est ouverte, de sorte qu'ils doivent être fixés pour prévenir un basculement vers l'avant susceptible d'occasionner des blessures graves ou la mort.

- Placez le cordon électrique sur son bord et tirez-le au-dessous de l'appareil entre les roulettes et à l'écart des ferrures antibasculement afin que le cordon ne soit pas endommagé pendant l'installation.
- À mesure que vous poussez l'appareil dans l'ouverture, vous devez tirer la corde fermement pour vous assurer que le cordon électrique passe sous l'appareil.



ÉTAPE 7 PLACEMENT ET FIXATION DANS L'ENCADREMENT (Cont.)

- Reposez la vis de décharge de tension du tuyau d'eau.



- Rangez excédentaire la corde et le tuyau d'eau sous l'appareil.

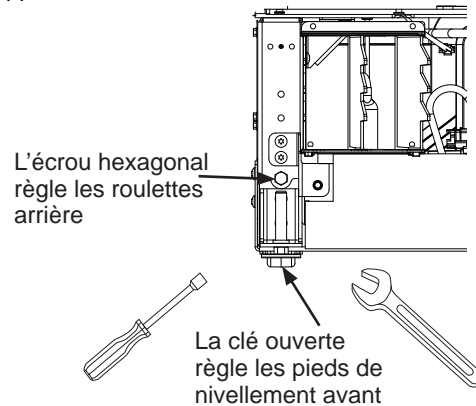
⚠ AVERTISSEMENT Risque

d'électrocution. Reposez la vis de décharge de tension dans le profilé avant comme illustré.

ÉTAPE 8 MISE À NIVEAU DE L'APPAREIL

Tous les modèles sont dotés de 4 points de nivellement. Le devant est supporté par des pieds de nivellement; l'arrière, par des roulettes réglables. Les deux types sont accessibles depuis le devant de l'appareil.

- Pour niveler l'arrière de l'appareil, tournez l'écrou hexagonal 7/16 po situé au-dessus des roulettes avant. Tournez dans le sens des aiguilles pour lever l'appareil, dans le sens inverse pour le baisser.
- Pour niveler le devant, utilisez une clé ouverte 7/16 po.
- Réglez la hauteur de l'appareil pour qu'elle corresponde à l'ouverture d'installation de 84 po. Il faut niveler et aplomber l'appareil en fonction des armoires.

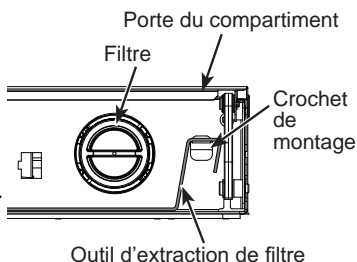


AVIS : Les roulettes de nivellement arrière et les pieds de nivellement avant sont limités à une hauteur de réglage maximale de 1 po. Si l'installation exige une hauteur supérieure à 84 po, l'installateur doit surélever l'appareil sur une feuille de contreplaqué ou des rails. On peut aussi ajouter une garniture d'armoire dans le haut de l'ouverture pour raccourcir celle-ci. Une tentative de lever l'appareil de plus de 1 po endommagera les pieds de nivellement avant et les roulettes de nivellement arrière.

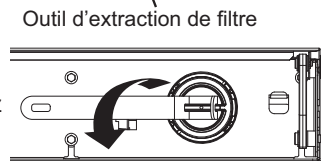
ÉTAPE 9 PRÉPARATION FINALE DE L'EXTÉRIEUR DE L'APPAREIL

POUR UNE INSTALLATION AFFLEURANTE : Assurez-vous que la face avant de la porte se situe à 7/8 po derrière la face avant des armoires environnantes AVANT de fixer les supports sur ces armoires.

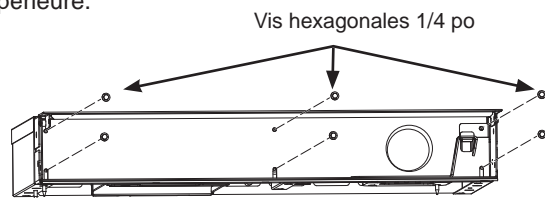
- Ouvrez la porte des unités. Repérez le filtre et l'outil d'extraction du filtre. Le filtre doit se placer tel qu'illustré.



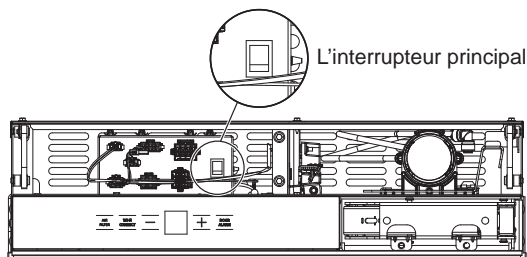
- Tournez le filtre de 1/4 de tour dans le sens contraire des aiguilles (utilisez l'outil d'extraction de filtre si nécessaire).



- Tirez le filtre vers vous pour le retirer. **NOTA :** Le système d'eau ne fonctionnera pas sans le filtre en place.
- Retirez 6 vis qui fixent l'enceinte frontale sur la carrosserie supérieure.

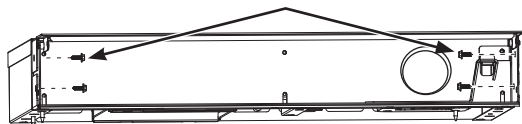


- Fermez l'interrupteur principal. Le câblage n'est pas illustré par souci de clarté.



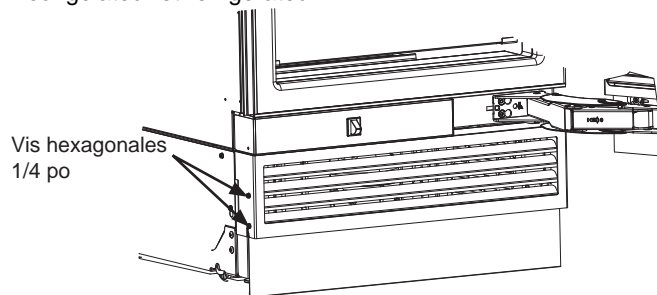
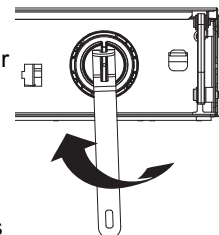
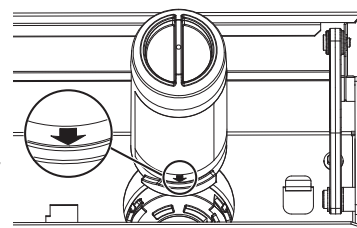
- Assemblez l'enceinte avec les vis retirées précédemment.
 - Prépercez des trous de 1/16 po dans les deux côtés du contour sur une profondeur de 1/2 po à travers les trous dans l'enceinte.
 - Fixez l'unité en vissant quatre vis hexagonales 1/4 po dans les deux côtés des armoires environnantes.
- REMARQUE :** Cette étape ne remplace PAS la quincaillerie antibasculement. Reportez-vous à l'étape 4 Installation de la ferrure antibasculement et à l'étape 7 Insertion/Fixation dans le contour d'armoires pour des instructions détaillées sur l'installation de la ferrure antibasculement. Répétez la procédure pour la deuxième unité.

Vis hexagonales 1/4 po

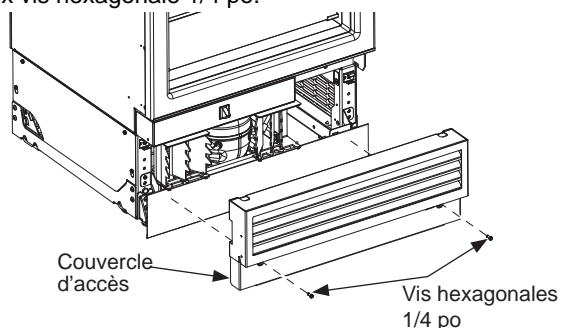


ÉTAPE 9 PRÉPARATION FINALE DE L'EXTÉRIEUR DE L'APPAREIL (Suite)

- Repérez la flèche bleue sur le filtre. Tournez le filtre pour aligner la flèche comme illustré.
- Insérez le filtre en position et tournez-le de 1/4 de tour dans le sens des aiguilles (utilisez l'outil d'extraction de filtre si nécessaire).
- Retournez l'outil d'extraction de filtre sur le crochet de montage.
- Fermez la porte du compartiment.
- Vérifiez que les deux vis hexagonales 1/4 po sont installées du côté poignée des produits à la fois pour les colonnes congélateur et réfrigérateur.



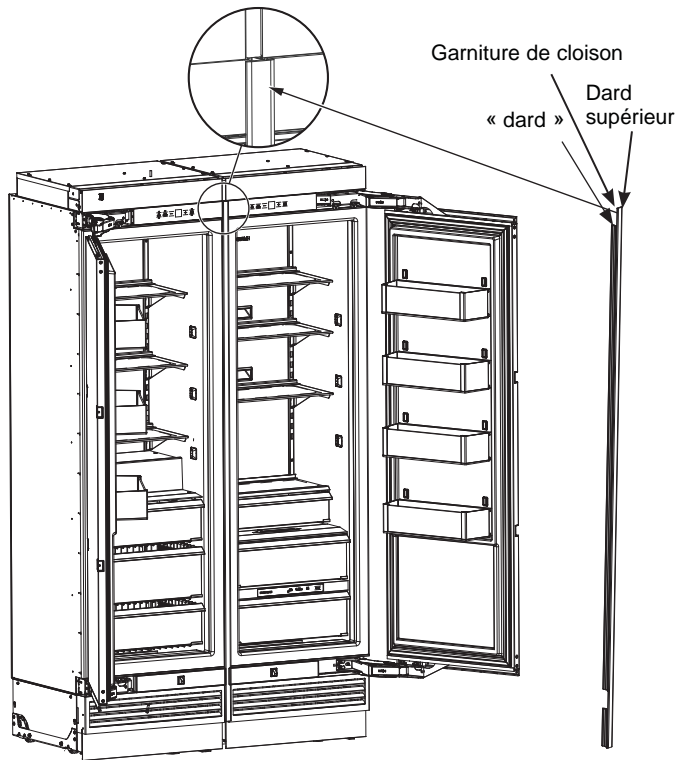
- Remplacez le couvercle d'accès sur l'unité et fixez-le avec deux vis hexagonales 1/4 po.



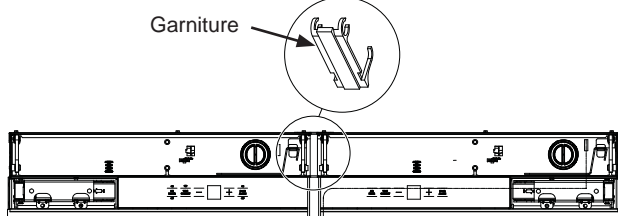
Instructions d'installation – Instructions pour une installation intégrée double

ÉTAPE 9 PRÉPARATION FINALE DE L'EXTÉRIEUR DE L'APPAREIL (suite)

- Installez le meneau frontal et les garnitures de couvercle d'accès entre les 2 appareils. Ouvrez les portes et le dard flexible dans la zone entre les appareils.
- Le « dard » supérieur du meneau soit s'aligner sur le bord inférieur de la garniture de carrosserie.

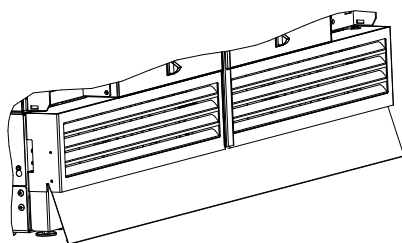


- Ouvrez les deux portes d'enceinte à 90°.
- Encliquetez le support de garniture entre les enceintes d'accès au filtre à eau au-dessus des afficheurs.



ÉTAPE 10 ÉTAPE 10 INSTALLATION DU COUP-DE-PIED

- Insérez le coup-de-pied dans la fente du couvercle d'accès frontal en le faisant pivoter vers vous.
- Poussez la partie inférieure du coup-de-pied vers le produit et glissez en place.



ÉTAPE 11 PRÉPARATION DE L'INTÉRIEUR DE L'APPAREIL

- Retirez tout le ruban, le carton et la mousse de chaque appareil (les supports en mousse sont situés derrière les côtés gauche et droit à l'avant de chaque tablette de verre sur les modèles Réfrigérateur.)
- Retirez les balconnets emballés des tablettes.
- Déballez et installez les balconnets.
- Installez les coussinets de balconnets.

ÉTAPE 12 DÉMARRAGE DE LA MACHINE À GLAÇONS (modèles de congélateur)

ATTENTION

Afin de réduire le risque de blessure, évitez tout contact avec les pièces mobiles du mécanisme d'éjection ou l'élément chauffant qui libère les cubes. Ne placez pas les doigts ou les mains sur le mécanisme de production de glace automatique lorsque l'électroménager est branché dans la prise électrique.

Un congélateur nouvellement installé peut mettre de 12 à 24 heures pour commencer à produire de la glace.

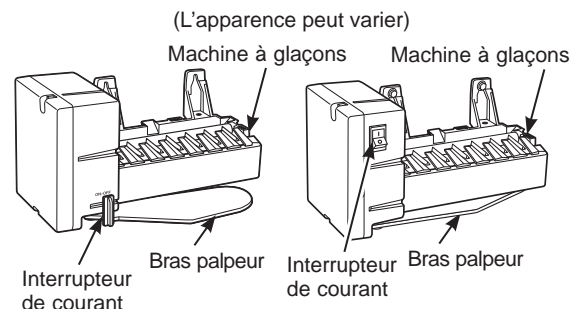
La machine à glaçons produira sept glaçons par cycle, environ 15 cycles sur une période de 24 heures selon la température du compartiment congélateur, la température de la pièce, le nombre d'ouvertures de porte et d'autres conditions d'utilisation.

Si le congélateur est utilisé avant le raccordement de l'alimentation d'eau à la machine à glaçons, mettez l'interrupteur de courant à OFF (Arrêt). Il faut retirer le panier de broche supérieur pour accéder à l'interrupteur de la machine à glaçons.

Une fois le congélateur raccordé à l'alimentation d'eau, mettez l'interrupteur à **ON (marche)**.

Jetez les premiers remplissages de bac de glaçons pour permettre le nettoyage de la conduite d'eau.

Assurez-vous que rien ne gêne le mouvement du bras palpeur.



Lorsque le bac se remplit au niveau du bras palpeur, la machine à glaçons cesse de produire de la glace.

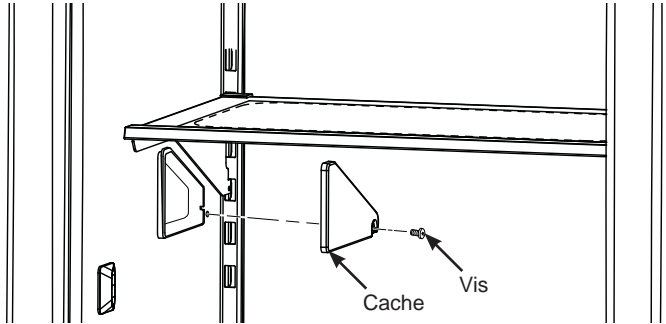
Il est normal que plusieurs glaçons s'agglutinent.

L'aspect, le goût et la taille des vieux glaçons seront altérés si ceux-ci ne sont pas consommés fréquemment.

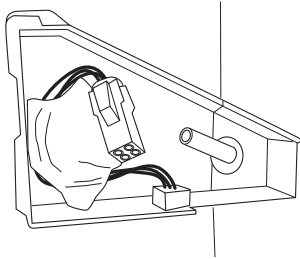
REMARQUE : La machine à glaçons fonctionne mieux à une pression d'eau domestique entre 40 et 120 PSI (275 à 827 kPa).

ÉTAPE 12 INSTALLATION DU DISTRIBUTEUR ET DU PICHET À REMPLISSAGE AUTOMATIQUE (certains modèles de réfrigérateur)

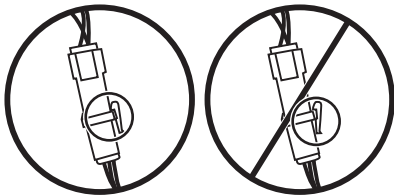
- Repérez le couvercle d'accès pour distributeur à remplissage automatique sur le côté gauche de l'intérieur du réfrigérateur. Retirez la vis Torx T20 qui fixe le couvercle d'accès, située vers l'arrière du couvercle. Conservez cette vis pour la pose du distributeur.



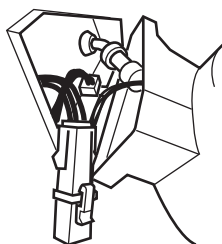
- Glissez le couvercle d'accès vers l'avant pour l'enlever. Cela exposera le connecteur électrique et le tuyau d'eau.



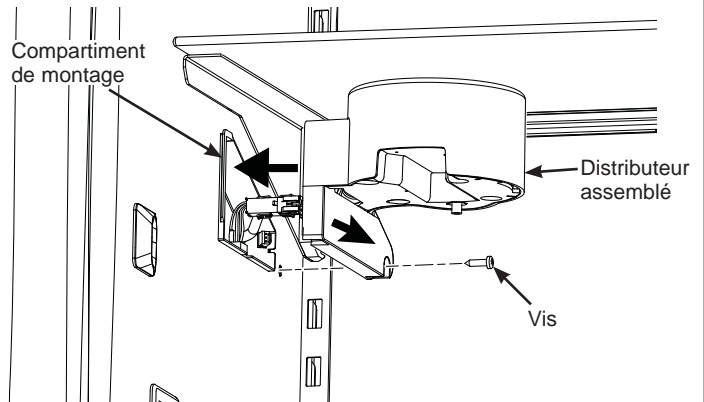
- Retirez le distributeur et le pichet à remplissage automatique de la boîte. Branchez le connecteur à 4 broches du distributeur sur le connecteur dans la paroi du compartiment.



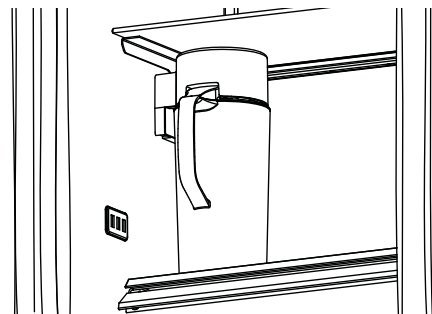
- Assurez-vous que la languette de verrouillage du connecteur est insérée à fond.
- Connectez le raccord de tuyau d'eau du distributeur sur le tuyau d'eau situé dans le compartiment. Assurez-vous que le tuyau d'eau est raccordé fermement afin qu'il ne puisse se détacher facilement. Le tuyau d'eau doit être inséré jusqu'à la marque sur le tuyau.



- Dissimulez les fils et la tuyauterie à l'intérieur du compartiment de la paroi et placez le distributeur sur l'extrémité avant du montage jusqu'à égalité avec la paroi intérieure du réfrigérateur. Glissez le distributeur assemblé vers la paroi arrière jusqu'à ce que le trou de la vis de montage soit visible.



- Fixez le distributeur à l'aide de la vis Torx T20 retirée précédemment.
- Assurez-vous que l'alimentation d'eau est raccordée au réfrigérateur avant de poursuivre.
- Aligned l'encoche du couvercle de pichet sur le guide du distributeur dans le haut du réfrigérateur et glissez le pichet vers l'arrière du réfrigérateur jusqu'à ce qu'il s'arrête. Il peut s'écouler jusqu'à 5 secondes avant que l'eau ne commence à remplir le pichet.



- Le remplissage du pichet s'effectuera jusqu'à un niveau prédéterminé puis cessera. Il est normal que le niveau d'eau soit en-dessous du bord supérieur du pichet.

REMARQUE : Après la mise en place du pichet, faites couler 2 gallons (8 litres) d'eau (environ 5 pichets pleins) à travers le distributeur afin de purger l'air du système. Il est normal d'apercevoir un changement de la couleur de l'eau lors de la purge initiale du système. De l'eau jaillira suite à l'installation d'une nouvelle cartouche et dégouttera jusqu'à ce que l'air soit purgé du système. La couleur de l'eau reviendra à la normale après les premières minutes de distribution. Avant l'utilisation, lavez le pichet et le couvercle après le rinçage initial.

REMARQUE : Ne placez pas le pichet dans le guide du distributeur avant d'avoir effectué le raccordement de l'alimentation d'eau au réfrigérateur.

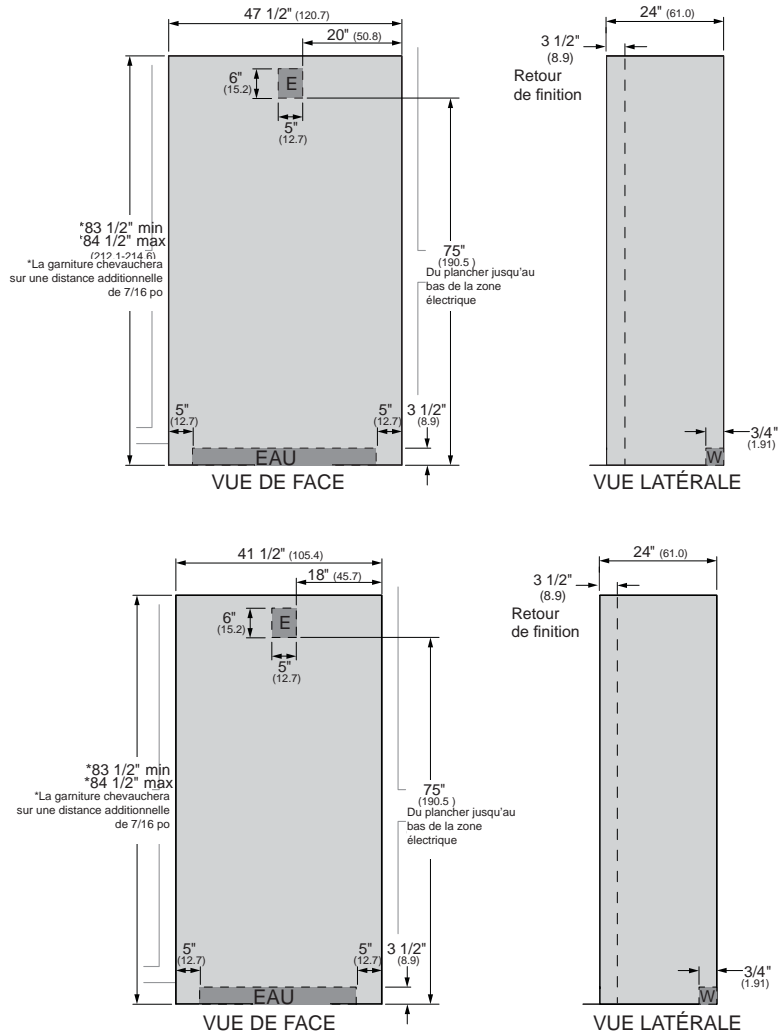
Instructions pour une installation de conversion double

Installation dans une construction existante avec ouvertures d'une profondeur de 24 po et d'une largeur de 41-1/2 po ou 47-1/2 po.

Guide de conception – Installation de conversion double

DÉGAGEMENTS POUR UNE INSTALLATION DE CONVERSION DOUBLE

Les dimensions entre parenthèses sont en centimètres.



Position des tuyaux d'eau et du câblage électrique

Les alimentations d'eau et électrique doivent se situer comme illustré.

Pour ouvertures de 24 po de profondeur

Des trousse de garniture de conversion sont nécessaires pour une ouverture d'un largeur de 41,5 po (ZKR42N) ou de 47,5 po (ZKR48N).

Une trousse d'union d'éléments chauffants ZKUN est requise.

Dégagements du produit

Ces appareils sont dotés d'une butée de porte à 2 positions. L'ouverture de porte de 115° réglée à l'usine peut s'ajuster à 90° si le dégagement aux armoires ou aux murs adjacents est restreint.

Pour une ouverture de porte à 90°, prévoyez un dégagement minimal de 4 po (10,2 cm) à un mur.

Pour une installation dans un coin, prévoyez 15 po (38,1 cm) pour une pleine ouverture à 115° pour les modèles 18 et 24 po. Prévoyez 16-1/2 po (41,9 cm) pour les modèles 30 po.

Spécifications supplémentaires

- Une alimentation électrique distincte de 115 volts, 60Hz, 15 ou 20 ampères, est recommandée pour chaque produit. Un circuit de dérivation ou un disjoncteur distincts correctement mis à la terre sont recommandés. Installez une prise électrique à trois alvéoles correctement mise à la terre encastree dans le mur arrière. Le câblage électrique doit se situer sur le mur arrière comme illustré.
- Le tuyau d'eau doit se situer sur le mur arrière comme illustré. Le tuyau d'eau doit être en cuivre d'un diamètre extérieur de 1/4 po ou un tuyau de la trousse QuickConnect™ (WX08X10006) qu'il faut installer entre la conduite d'eau froide et le raccord d'alimentation d'eau, d'une longueur suffisante pour atteindre le devant de l'appareil (8 pi [2,4 m]). L'installation d'un robinet de sectionnement aisément accessible est requise.

Instructions d'installation - Installation de conversion double

EMPLACEMENT DU RÉFRIGÉRATEUR/ CONGÉLATEUR

- N'installez pas le réfrigérateur/congélateur à un endroit où la température est susceptible de descendre en dessous de 55 °F (13 °C). L'appareil ne fonctionnera pas suffisamment souvent pour maintenir les températures appropriées.
- N'installez pas le réfrigérateur/congélateur à un endroit où la température dépassera 100 °F (37 °C). L'appareil ne fonctionnera pas correctement.
- N'installez pas le réfrigérateur/congélateur dans un endroit exposé à l'eau (pluie, etc.) ou aux rayons directs du soleil.
- Installez l'appareil sur un plancher suffisamment robuste pour supporter son poids à pleine capacité.

OUTILS ET MATÉRIEL REQUIS

- Cisaille à tôle
- Tournevis cruciformes nos 1 et 2
- Tournevis à lame plate
- Couteau à mastic
- Ruban à mesurer
- Perceuse et forets 1/16, 5/64, 3/16 po
- Foret à béton 5/32 po (si antibasculement posé sur béton)
- Visseuse/douille 1/4, 3/8, 1/2, 7/16 po
- Clé ouverte 7/16 po
- Visseuse/embout T10, T20, T30
- Visseuse hexagonale 1/8, 1/4 po (clé Allen)
- Niveau
- Robinet de sectionnement d'eau (facultatif mais recommandé)
- Conduite d'eau 8 pi (une par appareil raccordé à l'eau)
- Ruban-cache
- Alcool à friction
- Clé à molette
- Poinçon
- Trousse d'union d'éléments chauffants (ZKUN)
- Trousses de porte en acier inoxydable (le cas échéant)
- Panneaux personnalisés pour portes (le cas échéant)
- Trousses de poignée (le cas échéant)
- Petite clé à cliquet
- Trousse de conversion de garniture de 42 po (ZKR42N) ou de 48 po (ZKR48N)
- Coup-de-pied acier inoxydable 42 po (ZKK42P) ou 48 po (ZKK48P)

QUINCAILLERIE FOURNIE (par appareil)

- Bouchon de dérivation de filtre à eau (le cas échéant)
- Filtre à air (le cas échéant)
- Ferrure antibasculement
- 3 tirefonds
- 3 vis Tapcon
- 3 boulons à ailettes
- Gabarits pour installation de panneaux
- 2 garnitures de porte
- 2 supports de panneau de porte
- Vis de serrage
- Vis à bois cruciformes no 6
- Cache de support de porte
- Vis T30
- 1 cheville de limitation de charnière
- Support de panneau de porte central
- Vis Hi-Lo et la rondelle carrée
- Panneau d'accès
- Vis de panneau d'accès peintes
- Vis T10

MISE À LA TERRE DE L'APPAREIL

⚠ AVERTISSEMENT Risque d'électrocution

Le non-respect de ces instructions peut occasionner un décès, un incendie ou un choc électrique

Le cordon d'alimentation de cet appareil est muni d'une fiche à 3 broches (mise à la terre) qui se branche dans une prise murale ordinaire à 3 alvéoles (mise à la terre) pour réduire au minimum les risques de chocs électriques.

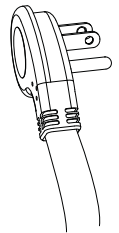
Faites examiner la prise de courant et le circuit par un électricien qualifié pour vous assurer que la prise est correctement mise à la terre.

Dans le cas d'une prise biphasée (2 alvéoles), l'installateur a la responsabilité et l'obligation de la remplacer par une prise triphasée correctement mise à la terre.

EN AUCUN CAS, NE COUPEZ NI NE RETIREZ LA TROISIÈME BROCHE (TERRE) DU CORDON ÉLECTRIQUE.

N'UTILISEZ PAS UNE FICHE D'ADAPTATION POUR BRANCHER LE RÉFRIGÉRATEUR DANS UNE PRISE À DEUX BORNES.

N'UTILISEZ PAS UN CORDON DE RALLONGE AVEC CET APPAREIL.



PLANCHER

Une installation correcte exige que ce produit soit placé sur la surface de niveau d'un matériau solide de la même hauteur que le reste du plancher. Cette surface doit être suffisamment robuste pour supporter un réfrigérateur ou un congélateur totalement rempli, ou environ 1 200 lb (545 kg) par appareil.

REMARQUE : Protégez le fini du plancher.

REMARQUE : Non recommandé pour une installation sur moquette.

Instructions d'installation - Installation de conversion double

PIÈCES FOURNIES AVEC LA TROUSSE ZKUN :

Élément chauffant adhésif

Transformateur

Meneau avant

Support de garniture

Support d'union supérieur

Support d'union avant inférieur

Vis 8-18 de 3 1/4 po de long à tête hexagonale 5/8 po

Vis 8-32 de 5 1/4 po de long à tête hexagonale 5/8 po

Vis ¼-20 de 5 3/8 po de long à tête hexagonale 1/2 po

4 attaches de fil

Outils et matériel requis :

Tournevis/douilles 1/4 et 3/8 po

Tournevis cruciforme no 2

Alcool à friction

ÉTAPE 1 RETRAIT DE L'EMBALLAGE

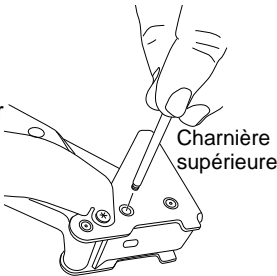
⚠ AVERTISSEMENT



Risque de

basculement. Cet électroménager est lourd du haut. Usez d'extrême prudence en le déplaçant afin de prévenir un basculement susceptible d'occasionner des blessures graves ou la mort.

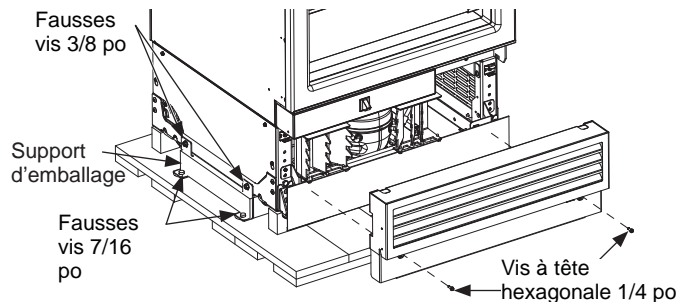
- Retirez la boîte extérieure et autres parties de l'emballage extérieur des appareils.
- Vérifiez l'absence de dommages.
- Si l'installation nécessite l'inversion du sens d'ouverture de porte, suivez les instructions de la section Inversion du sens d'ouverture de porte AVANT de retirer l'appareil du patin de manutention.
- Assurez-vous que le plancher sur lequel reposeront les appareils est propre et exempt de débris pouvant s'agglutiner ou coincer l'avant des roulettes et endommager le plancher. Il est aussi recommandé que le plancher soit protégé par un recouvrement plastique pendant la durée de l'installation.
- Retirez la trousse de quincaillerie du tiroir supérieur.
- Si l'installation doit permettre l'ouverture d'une porte à 90°, une cheville de limitation de charnière doit être installée sur la charnière supérieure AVANT de retirer l'appareil de la plateforme de manutention. La cheville de limitation se trouve dans la trousse de quincaillerie.
 - Ouvrez la porte à environ 45° sans dépasser 90° afin d'exposer le trou dans le support de charnière arrière, puis posez la cheville de limitation. La cheville de limitation doit reposer à fond dans le support sinon la porte ne fermera pas correctement.



ÉTAPE 1 RETRAIT DE L'EMBALLAGE

(suite)

- Enlevez le couvercle d'accès frontal de l'appareil en retirant deux vis à tête hexagonale 1/4 po. (certains modèles sont munis d'un panneau d'accès dans une boîte du côté gauche de la carrosserie). Mettez le couvercle et les vis de côté pour l'installation à venir.
- Retirez trois fausses vis 3/8 po et deux fausses vis 7/16 po de chaque côté de l'appareil afin de le libérer du patin de manutention. Inclinez l'appareil depuis un côté suffisamment pour retirer le matériel d'emballage qui se trouve en dessous, mais au-dessus du patin de manutention (deux côtés).
- AVEC PRÉCAUTION, roulez l'appareil pour le dégager du côté arrière du patin de manutention.
- Manipulez l'appareil depuis le côté seulement à l'aide d'un chariot.



ÉTAPE 2 INSTALLEZ LA CONDUITE D'EAU

⚠ AVERTISSEMENT

Raccordez l'appareil à une alimentation d'eau potable seulement. Une alimentation d'eau froide est requise pour faire fonctionner la machine à glaçons et le pichet à remplissage automatique. La pression d'eau doit se situer entre 40 et 120 psi. (275 à 827 kPa).

⚠ AVERTISSEMENT



RISQUE DE DÉCHARGE ÉLECTRIQUE

Fixez le collier de serrage dans le trou présent seulement. NE PERCEZ PAS dans le réfrigérateur.

- Une alimentation d'eau froide est requise pour faire fonctionner la machine à glaçons et le pichet à remplissage automatique. La pression d'eau doit se situer entre 40 et 120 psi. (275 à 827 kPa).
- Fermez l'alimentation d'eau principale.**
- Ouvrez le robinet le plus près suffisamment longtemps pour nettoyer la conduite d'eau.
- Installez un robinet de sectionnement entre le robinet d'eau et le tuyau d'eau froide dans le sous-sol ou une armoire. Le robinet de sectionnement doit être situé à un endroit aisément accessible.
 - Ouvrez l'alimentation d'eau principale et rincez les débris. Faites couler environ un litre d'eau à travers le tuyau aboutissant dans un seau. Coupez l'alimentation d'eau au robinet de sectionnement.

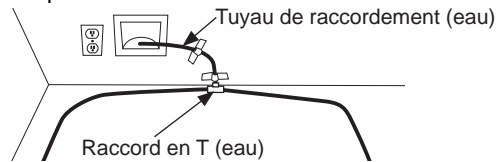
Instructions d'installation - Installation de conversion double

ÉTAPE 2 INSTALLEZ LA CONDUITE D'EAU (suite)

REMARQUE : Des robinet de sectionnement à étrier sont inclus dans plusieurs trousse d'alimentation d'eau. Avant d'acheter, assurez-vous qu'un robinet de sectionnement à étrier satisfait les codes de plomberie de votre région.

REMARQUE : Les codes de plomberie 248CMR du Commonwealth du Massachusetts doivent être satisfaits. Les robinets à étrier sont illégaux et leur utilisation prohibée dans le Massachusetts. Consultez votre plombier agréé.

- Raccordez le tuyau de raccordement de la trousse ZKR42N ou ZKR48N à la conduite d'eau froide du domicile. Serrez l'écrou à compression à la main, puis serrez d'un tour supplémentaire avec une clé. Un serrage excessif peut causer des fuites!
- Raccordez l'autre extrémité du tuyau de raccordement sur le raccord en T fourni avec la trousse de garniture de conversion. Serrez l'écrou à compression à la main, puis serrez d'un tour supplémentaire avec une clé. Un serrage excessif peut causer des fuites!



- Acheminez le tuyau de cuivre 1/4 po (D.E.) ou le tuyau plastique SmartConnect™ (WX08X10006) entre le raccord en T et le raccord d'eau sur le devant de l'appareil. Des trousse de tuyau pour réfrigérateur SmartConnect™ sont disponibles. Un tuyau d'eau de 8 pi (2,4 m) (WX08X10006) est nécessaire pour chaque appareil. Le ou les tuyaux d'eau seront fixés au plancher avec du ruban cache après la pose de la ferrure antibasculement.
- Le tuyau doit être suffisamment long pour atteindre le devant de l'appareil. Prévoyez une longueur de tuyau suffisante pour la courbe menant au raccord de la conduite d'eau. L'appareil doit être incliné sur le côté afin d'acheminer le tuyau d'eau en dessous et jusqu'à l'avant de l'électroménager.

REMARQUE : Les seuls tuyaux en plastique approuvés par GE Appliances sont ceux inclus dans les trousse de tuyaux pour réfrigérateur SmartConnect™. N'utilisez pas d'autres tuyaux d'alimentation d'eau en plastique car ils seront sous pression constamment. D'autres types de plastique peuvent se fissurer ou se rompre avec le temps et occasionner des dégâts d'eau dans votre domicile..

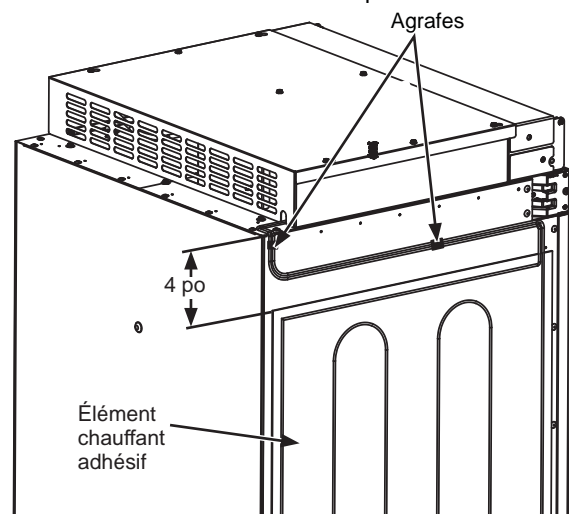
- Avec du ruban adhésif, fixez le tuyau de raccordement et le raccord en T sur le mur arrière. Les tuyaux d'eau seront fixés au plancher avec du ruban-cache après la pose de la ferrure antibasculement.

ÉTAPE 3 PRÉPARATION DE L'APPAREIL POUR L'INSTALLATION

- Déballez la trousse d'union d'éléments chauffants (ZKUN) et assurez-vous que toutes les pièces de la liste sont incluses.

NOTE : Assurez-vous que le cordon de connexion de l'élément chauffant est orienté vers le haut de l'unité une fois installé.

- Placez l'appareil de droite devant l'ouverture à l'endroit où vous prévoyez l'installer.
- Installez l'élément chauffant adhésif sur l'extérieur de l'unité du côté gauche de la carrosserie. Installez l'élément chauffant à 4 po en dessous du dessus de la carrosserie. L'élément chauffant doit être centré d'avant en arrière sur la face arrière de la carrosserie métallique.



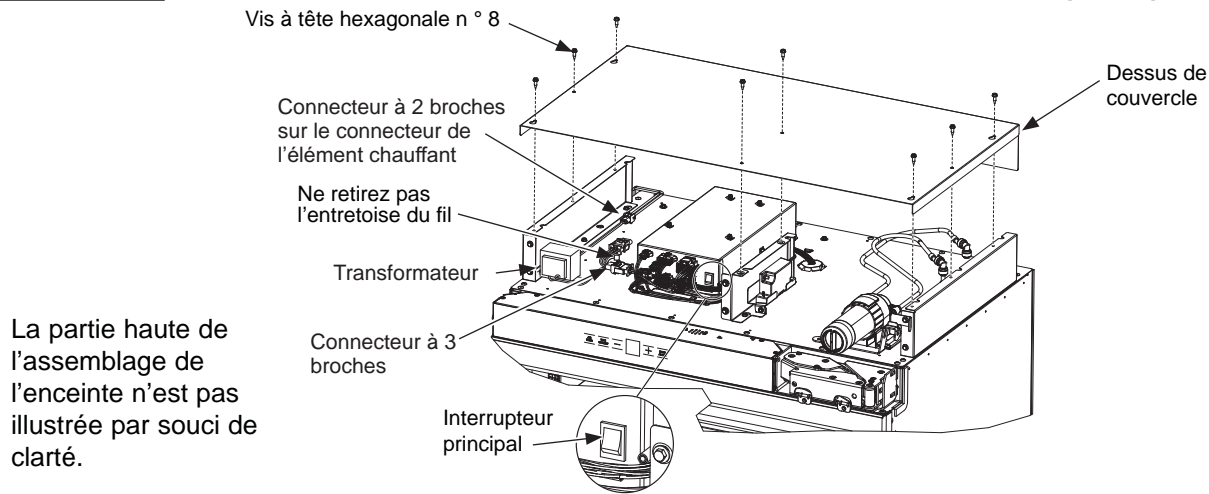
⚠ AVERTISSEMENT Risque

d'électrocution. Pour prévenir le risque d'électrocution, assurez-vous que le cordon électrique n'est pas branché dans la prise murale.

- Installez le transformateur dans l'assemblage supérieur de la carrosserie :
 1. Enlevez le dessus du couvercle en retirant huit vis hexagonales no 8 et conservez-les pour réassembler le dessus de couvercle.
 2. Placez le transformateur dans le dessus de carrosserie fourni dans la trousse ZKUN kit et fixez-le avec les vis hexagonales (1/4 po) sur le devant gauche du dessus de carrosserie.
 3. Branchez le connecteur du transformateur à 2 broches sur le connecteur de l'élément chauffant, et le connecteur à 3 broches sur le panneau de commande, en vous assurant que les languettes de verrouillage sont bien insérées.
 4. **NOTE :** Vérifiez que l'interrupteur principal est ouvert (ON).
 5. Montez le dessus de couvercle avec les vis conservées à l'étape précédente.

Instructions d'installation - Installation de conversion double

ÉTAPE 3 PRÉPARATION DE L'APPAREIL POUR L'INSTALLATION (Suite)



ÉTAPE 4 INSTALLATION DE LA FERRURE ANTIBASCULEMENT

⚠ AVERTISSEMENT



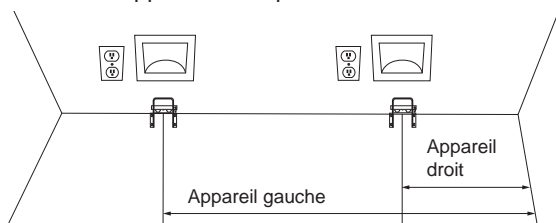
Risque de

basculement. Ces électroménagers sont lourds du haut, notamment lorsqu'une porte est ouverte, de sorte qu'ils doivent être fixés pour prévenir un basculement vers l'avant susceptible d'occasionner des blessures graves ou la mort. Lisez et observez la totalité des instructions d'installation pour connaître la façon de fixer l'électroménager sur le dispositif antibasculement.

- Retirez la ferrure antibasculement de la trousse de quincaillerie.
- La ferrure antibasculement doit être montée sur le mur arrière ou jusqu'à un maximum de 27 po (68,6 cm) depuis le devant de l'ouverture. Utilisez le montage sur plancher si la ferrure n'ira pas au mur (la visserie pour cette ferrure est fournie pour un montage sur bois, montants d'acier ou béton).

Appareil gauche			Appareil droit	Appareil
18"	24"	30"		
26-5/8" 67.6 cm	23-1/2" 59.7 cm	23-1/2" 59.7 cm	8-7/8" 22.5 CM	18"
32-5/8" 82.8 cm	29-1/2" 74.9 cm	29-1/2" 74.9 cm	5-3/4" 14.5 CM	24"
38-5/8" 98.1 cm	35-1/2" 90.1 cm	35-1/2" 90.1 cm	5-3/4" 14.5 CM	30"

- Mesurez et marquez à partir du côté droit de l'ouverture conformément au tableau ci-dessus en fonction de la dimension de l'appareil droit que vous installez.



- En vous reportant au tableau ci-dessus, mesurez et marquez la distance depuis le côté droit de l'ouverture, selon votre combinaison des appareils gauche et droit.

Par exemple, si vous installez un appareil gauche de 18 po et un appareil droit de 30 po, mesurez 5 3/4 et 38 5/8 po.

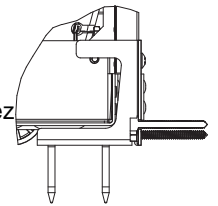
- Posez la ferrure antibasculement en la centrant par rapport aux marques et à égalité du plancher, comme illustré. Marquez 3 trous pour le montage sur mur et 4 trous pour le montage sur plancher.

MONTAGE SUR BOIS : Percez un trou de guidage de 2 po de profondeur avec un foret 3/16 po, puis posez des tirefonds à l'aide d'une visseuse 7/16 po.

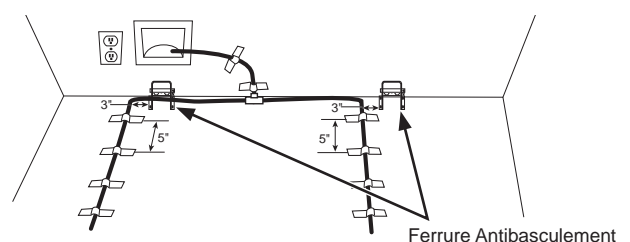
MONTAGE SUR BÉTON : Percez un trou de guidage de 2 po de profondeur avec un foret 5/32 po, puis posez des vis Tapcon à l'aide d'une visseuse 7/16 po.

MONTAGE SUR ACIER : Percez un trou de guidage avec un foret 1/2 po, puis posez les boulons à l'aide d'une visseuse 7/16 po.

La ferrure doit être vissée dans le **PLANCHER** ou le **MUR ARRIÈRE**.



- La ferrure antibasculement doit être fixée au plancher à 23 po de l'avant de l'enceinte.
- Avec du ruban adhésif, fixez le tuyau d'eau sur le plancher à environ 3 po à la gauche de la ferrure antibasculement. Appliquez du ruban tous les 5 po vers le devant de l'ouverture (le ruban empêchera l'appareil de rouler sur le tuyau d'eau pendant l'installation). N'appliquez pas de ruban près du devant de l'armoire afin qu'il demeure dissimulé sous l'appareil.

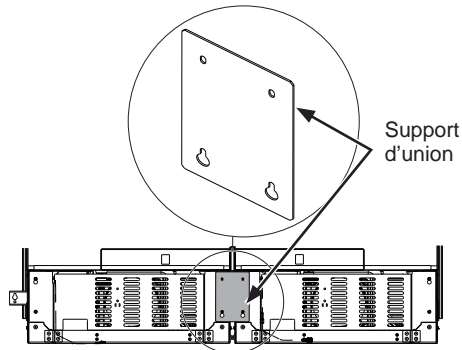


Instructions d'installation - Installation de conversion double

ÉTAPE 5 ACCOUPLEMENT DES APPAREILS INSTALLÉS

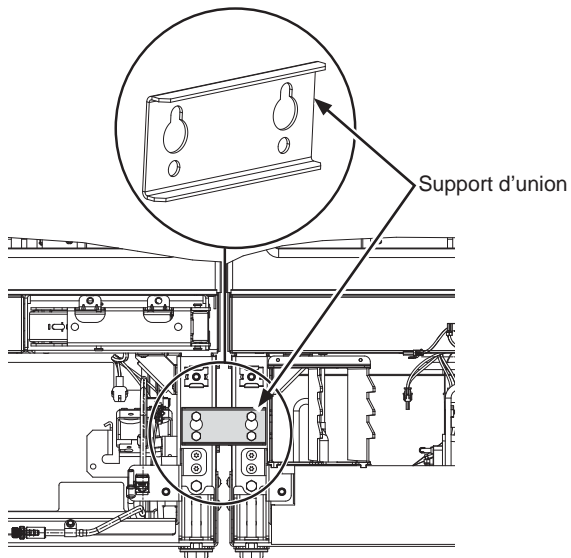
UNION DE LA PARTIE INFÉRIEURE ARRIÈRE

- Desserrez les deux vis inférieures des couvercles d'accès arrière des deux unités et retirez les vis supérieures.
- Accrochez le support d'union sur les vis inférieures et réinstallez les vis dans le haut.
- Serrez les vis pour réunir les unités.



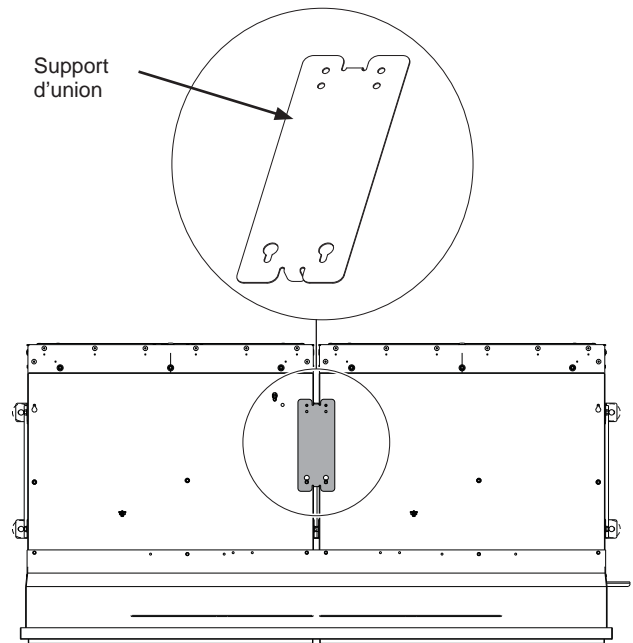
UNION DE LA PARTIE INFÉRIEURE ARRIÈRE

- Installez le support d'union inférieur avant à l'aide d'une visseuse 3/8 po (4 vis).



UNION DE LA PARTIE SUPÉRIEURE

- Desserrez les deux vis frontales dans le haut de l'unité et retirez les deux vis du milieu.
- Montez le support sur les deux vis frontales et réinstallez les vis du milieu.
- Serrez les vis pour réunir les unités.



Instructions d'installation - Installation de conversion double

ÉTAPE 5 ACCOUPLEMENT DES APPAREILS INSTALLÉS (Suite)

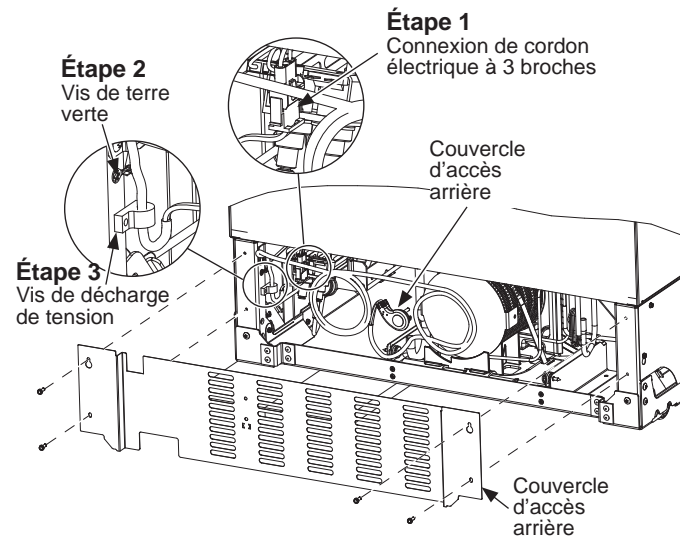
REPLACEMENT DU CORDON D'ALIMENTATION

Des cordons d'alimentation plus longs sont nécessaires pour une installation de conversion. Des cordons d'alimentation sont inclus dans les trousse 42 po ZKR42N et 48 po ZKR48N.

Remplacez les cordons d'alimentation sur les deux appareils. On peut brancher les deux appareils dans la même prise électrique.

Enlevez le cordon électrique court existant avec assemblage de corde :

- Retirez les vis hexagonales de 0,6 cm (1/4 po) fixant le couvercle d'accès arrière.
 1. Débranchez la connexion de cordon électrique à 3 broches sur les côtés pour libérer les languettes de verrouillage).
 2. Retirez la vis hexagonale de terre verte (1/4 po) du cordon électrique.
 3. Retirez la vis hexagonale de décharge de tension (1/4 po).



Installez le nouveau cordon électrique long :

1. Branchez le connecteur à 3 broches (assurez-vous que les languettes de verrouillage sont insérées).
2. Posez la vis de terre verte du cordon d'alimentation.
3. Posez la vis de décharge de tension.

⚠ AVERTISSEMENT

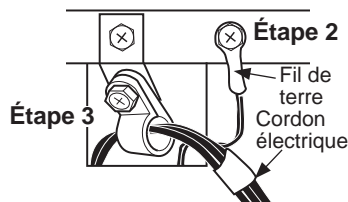


Risque

d'électrocution. Pour prévenir le risque d'électrocution, assurez-vous que le cordon électrique n'est pas branché dans la prise murale.

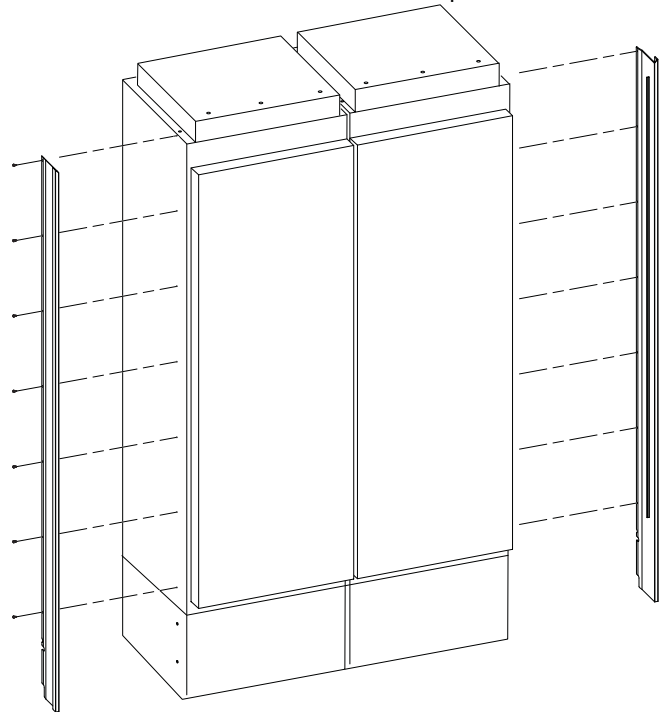
- Remplacez le couvercle d'accès arrière. Assurez-vous que le cordon électrique et le fil de terre sont correctement acheminés à travers l'orifice du couvercle d'accès.

Répétez toutes les étapes pour le deuxième appareil.

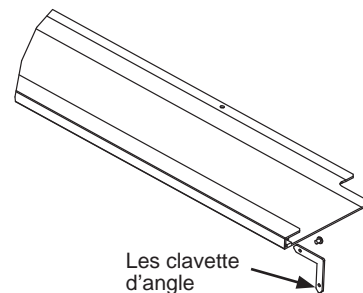


INSTALLATION DE LA GARNITURE DE CARROSSERIE

- Installez les profilés latéraux de la trousse de garniture sur les parois de carrosserie gauche et droite exposées à l'aide des vis cruciformes no 8 fournies - 7 vis par côté.



- Préassemblez le profilé supérieur et les clavettes d'angle de la trousse de garniture. Il faut poser une clavette à chaque extrémité de la garniture supérieure. Utilisez la vis à tête étoilée no 6 fournie dans la clavette d'angle pour vous assurer que la clavette est bien ajustée à la garniture supérieure, mais sans serrage excessif afin de prévenir les dommages aux pièces.



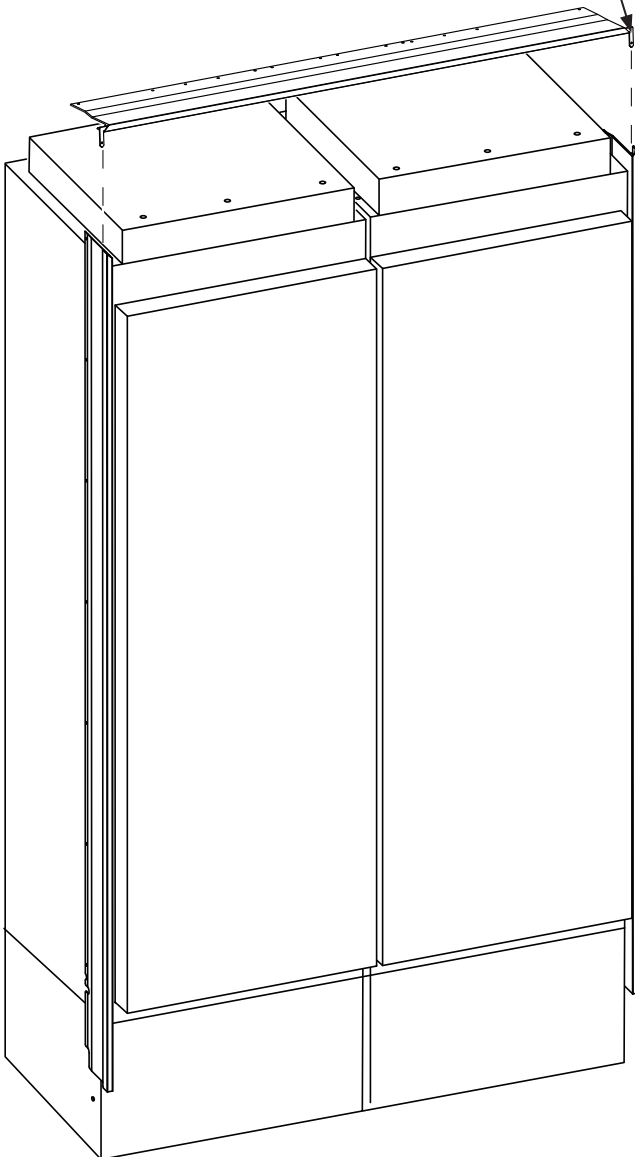
Instructions d'installation - Installation de conversion double

ÉTAPE 5 ACCOUPLEMENT DES APPAREILS INSTALLÉS (suite)

INSTALLATION DE LA GARNITURE DE CARROSSERIE

- Reliez la garniture supérieure et les profilés latéraux en glissant les bords exposés de la garniture d'angle dans les profilés latéraux gauche et droit de la trousse de garniture. Pressez vers le bas sur la garniture supérieure jusqu'à ce que chaque clavette d'angle soit insérée à fond dans chaque profilé latéral. Utilisez les vis à tête étoilée no 6 fournies pour vous assurer que chaque clavette d'angle est bien ajustée à chaque profilé latéral de la trousse de garniture.

Garniture supérieure et clavette d'angle



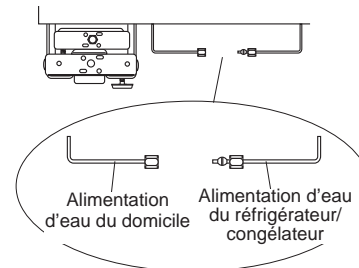
- Fixez la garniture supérieure sur la carrosserie à l'aide des vis cruciformes no 8 fournies (6 vis).

ÉTAPE 6 RACCORDEMENT DE L'ALIMENTATION D'EAU

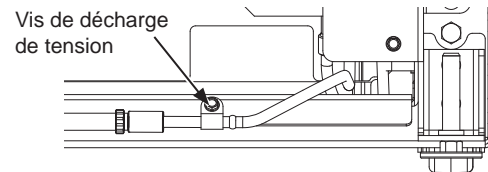
⚠ AVERTISSEMENT Raccordez l'appareil à une alimentation d'eau potable seulement. Une alimentation d'eau froide est requise pour faire fonctionner la machine à glaçons et le pichet à remplissage automatique. La pression d'eau doit se situer entre 40 et 120 psi. (275 à 827 kPa).

⚠ AVERTISSEMENT  RISQUE DE DÉCHARGE ÉLECTRIQUE

Fixez le collier de serrage dans le trou présent seulement. NE PERCEZ PAS dans le réfrigérateur.



- Repérez et acheminez le tuyau à l'avant de l'armoire.
- Ouvrez l'alimentation d'eau pour rincer les débris de la conduite. Faites couler environ un litre d'eau à travers le tuyau aboutissant dans un seau, puis fermez l'alimentation d'eau.
- Retirez la vis de décharge de tension pour laisser suffisamment de jeu pour le raccordement d'eau. (La vis doit être reposée à l'étape suivante.)



Tuyau de cuivre :

- Enfiler un écrou 1/4 po et une bague d'extrémité (fournis) aux deux bouts du tuyau de cuivre. Insérez le tuyau dans le raccord union sur l'appareil et serrez l'écrou sur le raccord union.
- Ouvrez l'alimentation d'eau pour vérifier l'absence de fuites.

Tuyau SmartConnect™ :

REMARQUE : Les seuls tuyaux en plastique approuvés par GE Appliances sont ceux inclus dans les trousse de tuyaux pour réfrigérateur SmartConnect™. N'utilisez pas d'autres tuyaux d'alimentation d'eau en plastique car ils seront sous pression constamment. D'autres types de plastique peuvent se fissurer ou se rompre avec le temps et occasionner des dégâts d'eau dans votre domicile.

- Insérez l'extrémité moulée du tube dans le raccord du réfrigérateur ou du congélateur. Serrez l'écrou à compression à la main.
- Suivez les instructions fournies avec la tuyauterie. Un serrage excessif peut causer des fuites!
- Ouvrez l'alimentation d'eau pour vérifier l'absence de fuites.

Instructions d'installation - Installation de conversion double

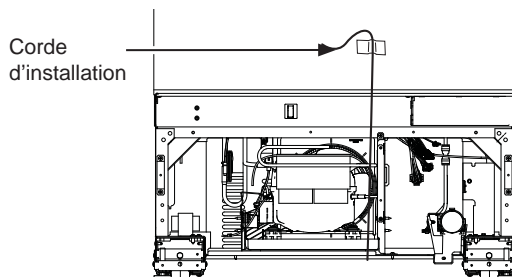
ÉTAPE 7 PLACEMENT ET FIXATION DANS L'ENCADREMENT

- Branchez les deux appareils dans la prise murale.

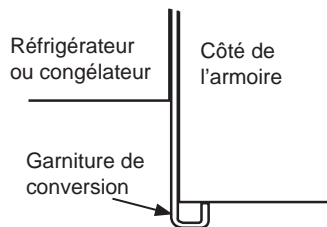
⚠ AVERTISSEMENT Risque

d'électrocution. Afin de réduire le risque d'électrocution, usez de prudence lors des étapes d'installation suivantes afin de ne pas toucher au câblage ou composants électriques à l'intérieur du compartiment du compresseur une fois que l'électroménager est branché sans le couvercle d'accès refermé.

- Repérez la corde d'installation attachée sur la porte de l'appareil; elle sert lorsque vous poussez l'appareil dans l'ouverture. Cette corde est attachée au cordon électrique; à mesure que vous poussez l'appareil dans l'ouverture, vous devez tirer fermement pour vous assurer que le cordon d'alimentation est acheminé sous l'appareil.



- Reliez la garniture supérieure et les profilés latéraux en glissant les bords exposés de la garniture d'angle dans les profilés latéraux gauche et droit de la trousse de garniture. L'arrière du dessus et du côté des garnitures de conversion doivent toucher les côtés de l'armoire lorsque les appareils sont poussés dans l'espace d'aménagement.



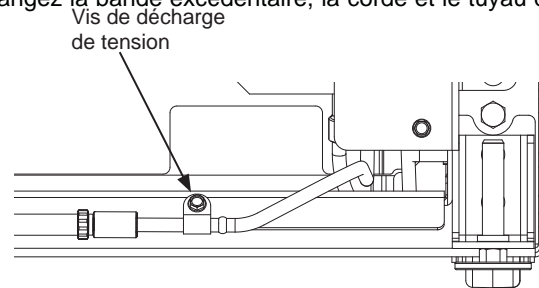
⚠ AVERTISSEMENT Risque de

basculement. Ces électroménagers sont lourds du haut, notamment lorsqu'une porte est ouverte, de sorte qu'ils doivent être fixés pour prévenir un basculement vers l'avant susceptible d'occasionner des blessures graves ou la mort.

- Placez le cordon électrique sur son bord et tirez-le au-dessous de l'appareil entre les roulettes et à l'écart des ferrures antibasculement afin que le cordon ne soit pas endommagé pendant l'installation.
- À mesure que vous poussez l'appareil dans l'ouverture, vous devez tirer la corde fermement pour vous assurer que le cordon électrique passe sous l'appareil.



- Reposez la vis de décharge de tension du tuyau d'eau.
- Rangez la bande excédentaire, la corde et le tuyau d'eau



sous l'appareil.

⚠ AVERTISSEMENT Risque d'électrocution.

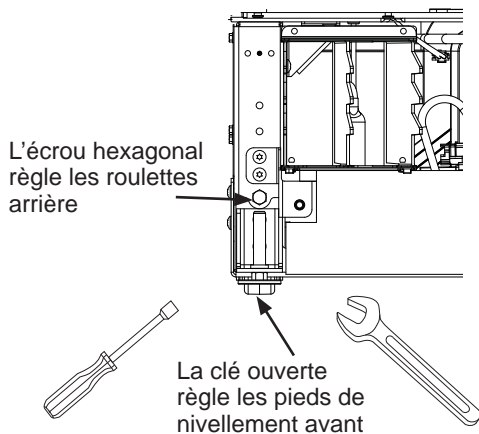
Reposez la vis de décharge de tension dans le profilé avant comme illustré.

Instructions d'installation - Installation de conversion double

ÉTAPE 8 MISE À NIVEAU DE L'APPAREIL

Tous les modèles sont dotés de 4 points de nivellement. Le devant est supporté par des pieds de nivellement; l'arrière, par des roulettes réglables. Les deux types sont accessibles depuis le devant de l'appareil.

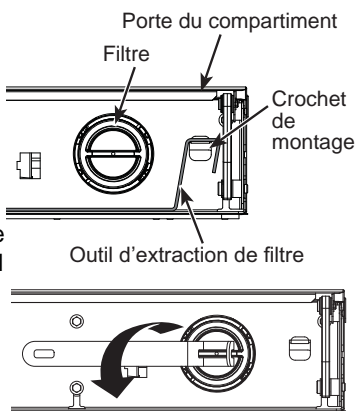
- Pour niveler l'arrière de l'appareil, tournez l'écrou hexagonal 7/16 po situé au-dessus des roulettes avant. Tournez dans le sens des aiguilles pour lever l'appareil, dans le sens inverse pour le baisser.
- Pour niveler le devant, utilisez une clé ouverte 7/16 po.
- Réglez la hauteur de l'appareil pour qu'elle corresponde à l'ouverture d'installation de 84 po. Il faut niveler et aplomber l'appareil en fonction des armoires.



AVIS : Les roulettes de nivellement arrière et les pieds de nivellement avant sont limités à une hauteur de réglage maximale de 1 po. Si l'installation exige une hauteur supérieure à 84 po, l'installateur doit surélever l'appareil sur une feuille de contreplaqué ou des rails. On peut aussi ajouter une garniture d'armoire dans le haut de l'ouverture pour raccourcir celle-ci. Une tentative de lever l'appareil de plus de 1 po endommagera les pieds de nivellement avant et les roulettes de nivellement arrière.

ÉTAPE 9 PRÉPARATION FINALE DE L'EXTÉRIEUR DE L'APPAREIL

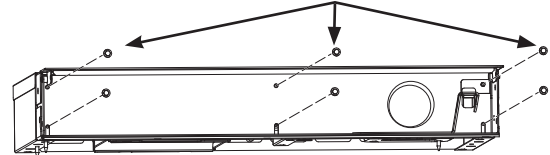
- Ouvrez le couvercle frontal de l'enceinte à 90°. Repérez le filtre et l'outil d'extraction du filtre. Le filtre doit se placer tel qu'illustré.
- Tournez le filtre de 1/4 de tour dans le sens contraire des aiguilles (utilisez l'outil d'extraction de filtre si nécessaire).
- Tirez le filtre vers vous pour le retirer. **NOTA :** Le système d'eau ne fonctionnera pas sans le filtre en place.



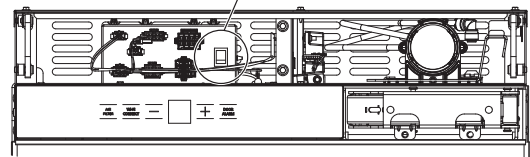
ÉTAPE 9 PRÉPARATION FINALE DE L'EXTÉRIEUR DE L'APPAREIL (Suite)

- Assurez-vous que les lampes sont à l'intérieur de l'unité. Si ce n'est pas le cas, assurez-vous que l'interrupteur principal est à ON (sous tension) en retirant l'enceinte frontale fixée par six vis hexagonales 1/4 po.

Vis hexagonales 1/4 po



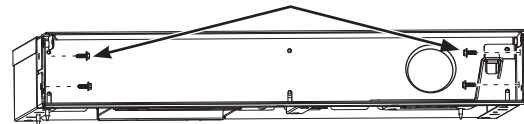
- Mettez l'interrupteur principal à ON s'il ne l'est pas. (Fils de l'interrupteur principal non illustrés par souci de clarté.)



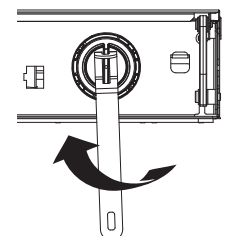
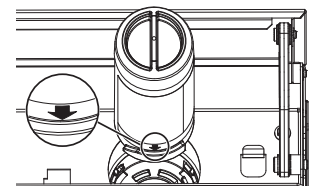
- Assemblez l'enveloppe avec les vis retirées précédemment.
- Prépercez des trous de 1/16 po dans les deux côtés du contour sur une profondeur de 1/2 po à travers les trous dans l'enceinte.
- Fixez l'unité en vissant quatre vis hexagonales 1/4 po dans les deux côtés des armoires environnantes.

REMARQUE : Cette étape ne remplace PAS la quincaillerie antibasculement. Reportez-vous à l'étape 4 Installation de la ferrure antibasculement et à l'étape 7 Insertion/Fixation dans le contour d'armoires pour des instructions détaillées sur l'installation de la ferrure antibasculement. Répétez la procédure pour le deuxième appareil.

Vis hexagonales 1/4 po



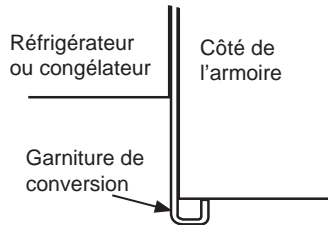
- Repérez la flèche bleue sur le filtre. Tournez le filtre pour aligner la flèche comme illustré.
- Insérez le filtre en position et tournez-le de 1/4 de tour dans le sens des aiguilles (utilisez l'outil d'extraction de filtre si nécessaire).
- Retournez l'outil d'extraction de filtre sur le crochet de montage.
- Fermez la porte du compartiment.



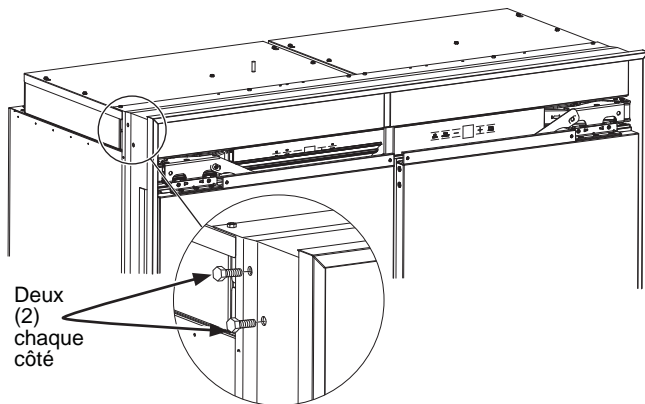
Instructions d'installation - Installation de conversion double

ÉTAPE 9 PRÉPARATION FINALE DE L'EXTÉRIEUR DE L'APPAREIL (Suite)

- Pour que la position du caisson soit adéquate après le nivellement, le dessus arrière et les côtés des garnitures de conversion doivent être d'équerre sur tous les côtés de l'armoire.



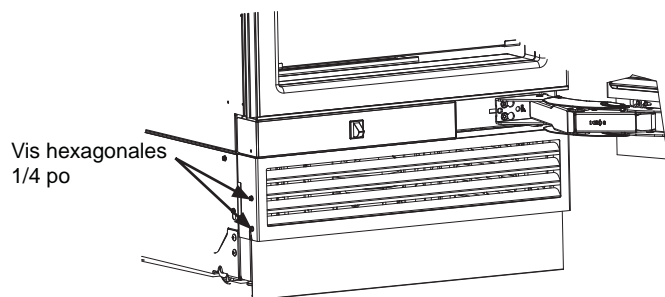
- Fixez les garnitures sur les armoires environnantes afin de réduire le mouvement dans le haut de la carrosserie pendant le fonctionnement normal.



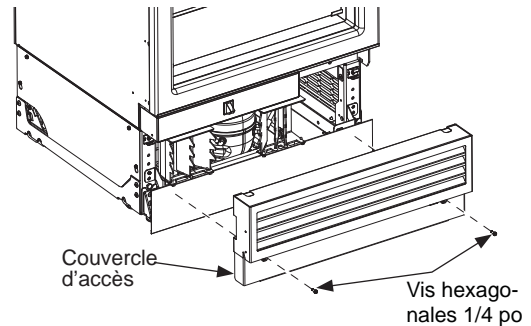
1. Percez des trous de guidage 1/16 po dans la garniture (2 par côté, voir l'illustration pour les endroits approximatifs).
2. Posez des vis à bois cruciformes no 6 dans les trous de guidage.

REMARQUE : Cette étape ne remplace PAS la quincaillerie antibasculement. Reportez-vous à l'étape 4 Installation de la ferrure antibasculement et à l'étape 7 Insertion/Fixation dans le contour pour des instructions détaillées sur l'installation de la ferrure antibasculement.

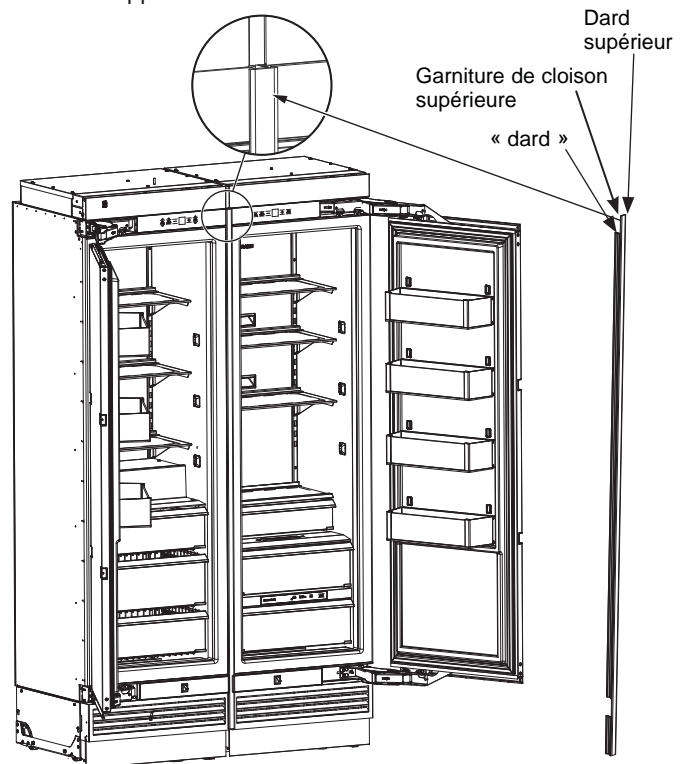
- Vérifiez que les deux vis hexagonale 1/4 po sont installées du côté poignée des produits à la fois pour les colonnes congélateur et réfrigérateur.



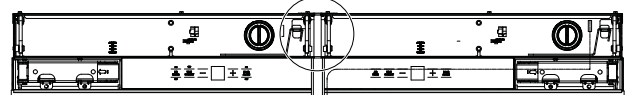
- Remplacez le couvercle d'accès sur l'unité et fixez-le avec deux vis hexagonale 1/4 po.



- Installez le meneau frontal et les garnitures de couvercle d'accès entre les 2 unités. Ouvrez les portes et poussez la partie flexible en forme de « dard » des garnitures en place entre les appareils.



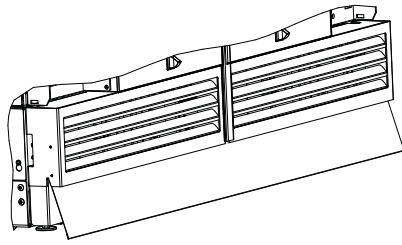
- Le « dard » supérieur du meneau doit s'aligner sur le bord inférieur de la garniture de carrosserie.
- Ouvrez les deux portes d'accès au filtre à eau à 90°.
- Encliquez la garniture sur les charnières assemblées des deux enceintes.



Instructions d'installation - Installation de conversion double

ÉTAPE 10 INSTALLATION DU COUP-DE-PIED

- Insérez le coup-de-pied dans la fente du couvercle d'accès frontal en le faisant pivoter vers vous.
- Poussez la partie inférieure du coup-de-pied vers le produit et glissez en place.



ÉTAPE 11 PRÉPARATION DE L'INTÉRIEUR DE L'APPAREIL

- Retirez tout le ruban, le carton et la mousse de chaque appareil (Les supports en mousse sont situés derrière les côtés gauche et droit à l'avant de chaque tablette de verre sur les modèles Réfrigérateur.)
- Retirez les balconnets emballés des tablettes.
- Déballez et installez les balconnets.
- Installez les coussinets de balconnets.

ÉTAPE 12 DÉMARRAGE DE LA MACHINE À GLAÇONS (modèles de congélateur)

⚠ ATTENTION

Afin de réduire le risque de blessure, évitez tout contact avec les pièces mobiles du mécanisme d'éjection ou l'élément chauffant qui libère les cubes. Ne placez pas les doigts ou les mains sur le mécanisme de production de glace automatique lorsque l'électroménager est branché dans la prise électrique.

Un congélateur nouvellement installé peut mettre de 12 à 24 heures pour commencer à produire de la glace.

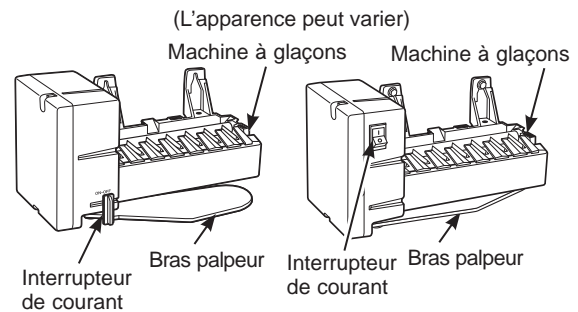
La machine à glaçons produira sept glaçons par cycle, environ 15 cycles sur une période de 24 heures selon la température du compartiment congélateur, la température de la pièce, le nombre d'ouvertures de porte et d'autres conditions d'utilisation.

Si le congélateur est utilisé avant le raccordement de l'alimentation d'eau à la machine à glaçons, mettez l'interrupteur de courant à OFF (Arrêt). Il faut retirer le panier de broche supérieur pour accéder à l'interrupteur de la machine à glaçons.

Une fois le congélateur raccordé à l'alimentation d'eau, mettez l'interrupteur à **ON (marche)**.

Jetez les premiers remplissages de bac de glaçons pour permettre le nettoyage de la conduite d'eau.

Assurez-vous que rien ne gêne le mouvement du bras palpeur.



Lorsque le bac se remplit au niveau du bras palpeur, la machine à glaçons cesse de produire de la glace.

Il est normal que plusieurs glaçons s'agglutinent.

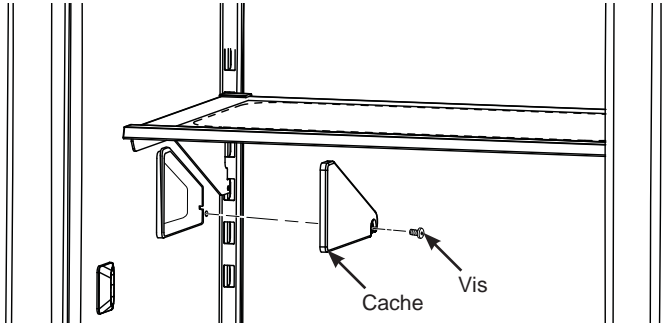
L'aspect, le goût et la taille des vieux glaçons seront altérés si ceux-ci ne sont pas consommés fréquemment.

REMARQUE : La machine à glaçons fonctionne mieux à une pression d'eau domestique entre 40 et 120 PSI (275 à 827 kPa).

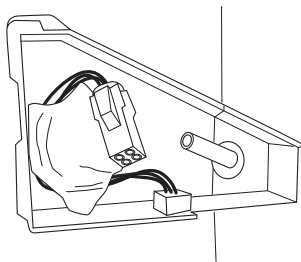
Instructions d'installation - Installation de conversion double

ÉTAPE 13 INSTALLATION DU DISTRIBUTEUR ET DU PICHET À REMPLISSAGE AUTOMATIQUE (certains modèles de réfrigérateur)

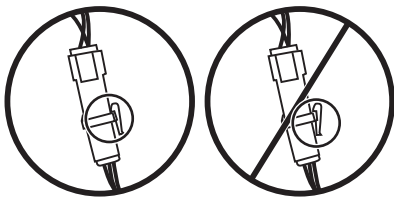
- Repérez le couvercle d'accès pour distributeur à remplissage automatique sur le côté gauche de l'intérieur du réfrigérateur. Retirez la vis Torx T20 qui fixe le couvercle d'accès, située vers l'arrière du couvercle. Conservez cette vis pour la pose du distributeur.



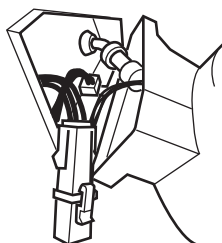
- Glissez le couvercle d'accès vers l'avant pour l'enlever. Cela exposera le connecteur électrique et le tuyau d'eau.



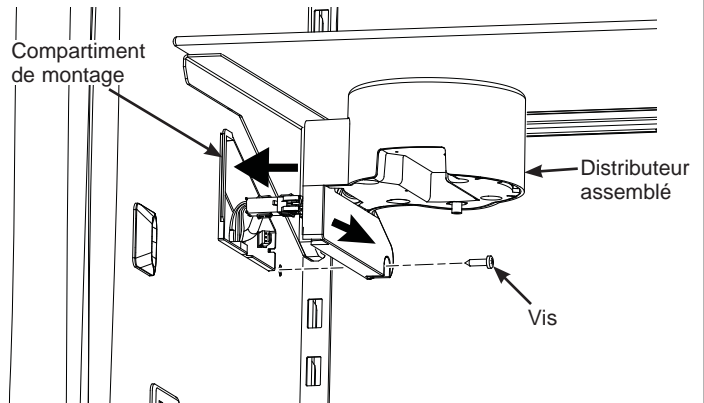
- Retirez le distributeur et le pichet à remplissage automatique de la boîte. Branchez le connecteur à 4 broches du distributeur sur le connecteur dans la paroi du compartiment.



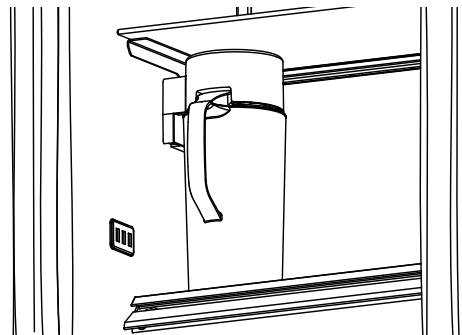
- Assurez-vous que la languette de verrouillage du connecteur est insérée à fond.
- Connectez le raccord de tuyau d'eau du distributeur sur le tuyau d'eau situé dans le compartiment. Assurez-vous que le tuyau d'eau est raccordé fermement afin qu'il ne puisse se détacher facilement. Le tuyau d'eau doit être inséré jusqu'à la marque sur le tuyau.



- Dissimulez les fils et la tuyauterie à l'intérieur du compartiment de la paroi et placez le distributeur sur l'extrémité avant du montage jusqu'à égalité avec la paroi intérieure du réfrigérateur. Glissez le distributeur assemblé vers la paroi arrière jusqu'à ce que le trou de la vis de montage soit visible.



- Fixez le distributeur à l'aide de la vis Torx T20 retirée précédemment.
- Assurez-vous que l'alimentation d'eau est raccordée au réfrigérateur avant de poursuivre.
- Alignez l'encoche du couvercle de pichet sur le guide du distributeur dans le haut du réfrigérateur et glissez le pichet vers l'arrière du réfrigérateur jusqu'à ce qu'il s'arrête. Il peut s'écouler jusqu'à 5 secondes avant que l'eau ne commence à remplir le pichet.



- Le remplissage du pichet s'effectuera jusqu'à un niveau prédéterminé puis cessera. Il est normal que le niveau d'eau soit en-dessous du bord supérieur du pichet.

REMARQUE : Après la mise en place du pichet, faites couler 2 gallons (8 litres) d'eau (environ 5 pichets pleins) à travers le distributeur afin de purger l'air du système. Il est normal d'apercevoir un changement de la couleur de l'eau lors de la purge initiale du système. De l'eau jaillira suite à l'installation d'une nouvelle cartouche et dégouttera jusqu'à ce que l'air soit purgé du système. La couleur de l'eau reviendra à la normale après les premières minutes de distribution. Avant l'utilisation, lavez le pichet et le couvercle après le rinçage initial.

REMARQUE : Ne placez pas le pichet dans le guide du distributeur avant d'avoir effectué le raccordement de l'alimentation d'eau au réfrigérateur.

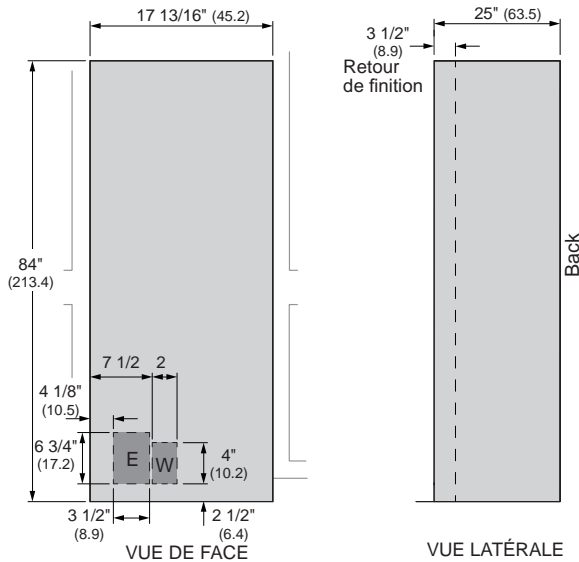
Instructions pour une installation intégrée simple
Installation dans une nouvelle construction avec des
ouvertures de 25 po (63,5 cm) de profondeur

Guide de conception – Instructions pour une installation intégrée simple

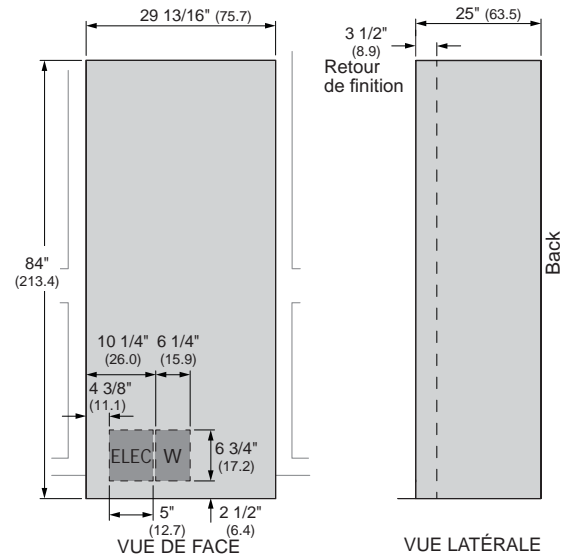
DIMENSIONS D'UNE INSTALLATION INTÉGRÉE SIMPLE

Les dimensions entre parenthèses sont en centimètres.

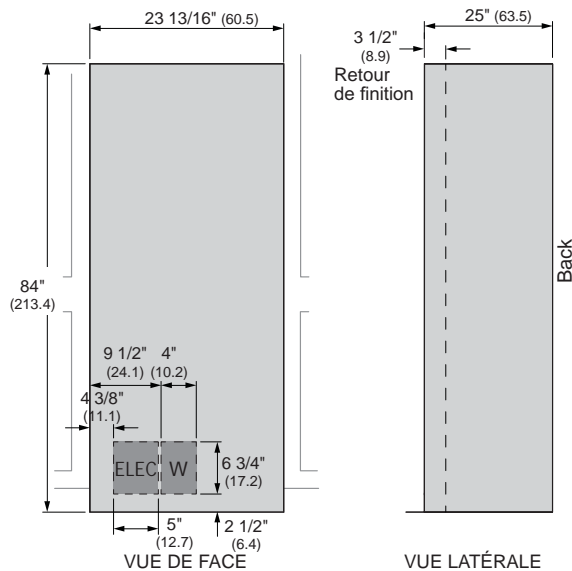
Congélateur intégré 18 po



Congélateur ou Réfrigérateur intégré 30 po



Congélateur ou Réfrigérateur intégré 24 po



Dégagements du produit

Ces appareils sont dotés d'une butée de porte à 2 positions. L'ouverture de porte de 115° réglée à l'usine peut s'ajuster à 90° si le dégagement aux armoires ou aux murs adjacents est restreint.

Pour une ouverture de porte à 90°, prévoyez un dégagement minimal de 4 po (10,2 cm) à un mur.

Pour une installation dans un coin, prévoyez 15 po (38,1 cm) pour une pleine ouverture à 115° pour les modèles 18 et 24 po. Prévoyez 16-1/2 po (41,9 cm) pour les modèles 30 po.

Position des tuyaux d'eau et du câblage électrique

Les alimentations d'eau et électrique doivent se situer comme illustré.

La profondeur de l'ouverture doit être de 25 po

Spécifications supplémentaires

- La source d'alimentation électrique requise est de 115 V, 60 Hz, 15 ou 20 ampères. Un circuit de dérivation ou un disjoncteur distincts correctement mis à la terre sont recommandés. Installez une prise électrique à trois alvéoles correctement mise à la terre encastrée dans le mur arrière. Le câblage électrique doit se situer sur le mur arrière comme illustré.
- Le tuyau d'eau doit se situer sur le mur arrière comme illustré. Le tuyau d'eau doit être en cuivre d'un diamètre extérieur de 1/4 po ou un tuyau de la trousse QuickConnect™ (WX08X10006) qu'il faut installer entre la conduite d'eau froide et le raccord d'alimentation d'eau, d'une longueur suffisante pour atteindre le devant de l'appareil (8 pi [2,4 m]). L'installation d'un robinet de sectionnement aisément accessible est requise.
- Un retour de finition d'un minimum de 3 1/2 po (9 cm) s'harmonisant avec l'extérieur des armoires est recommandé sur l'intérieur de tous les côtés et sur le devant dans le haut de l'ouverture.
- Les installations avec 4 po (10,2 cm) ou moins entre les unités nécessitent la trousse d'éléments chauffants ZKUN.

Instructions d'installation - Installation intégrée simple

EMPLACEMENT DU RÉFRIGÉRATEUR/ CONGÉLATEUR

- N'installez pas le réfrigérateur/congélateur à un endroit où la température est susceptible de descendre en dessous de 55 °F (13 °C). L'appareil ne fonctionnera pas suffisamment souvent pour maintenir les températures appropriées.
- N'installez pas le réfrigérateur/congélateur à un endroit où la température dépassera 100 °F (37 °C). L'appareil ne fonctionnera pas correctement.
- N'installez pas le congélateur/congélateur dans un endroit exposé à l'eau (pluie, etc.) ou aux rayons directs du soleil.
- Installez l'appareil sur un plancher suffisamment robuste pour supporter son poids à pleine capacité.

OUTILS ET MATÉRIEL REQUIS

- Cisaille à tôle
- Tournevis cruciformes nos 1 et 2
- Tournevis à lame plate
- Couteau à mastic
- Ruban à mesurer
- Perceuse et forets 1/16, 5/64, 3/16 po
- Foret à béton 5/32 po (si antibasculément posé sur béton)
- Visseuse/douille 1/4, 3/8, 1/2, 7/16 po
- Clé ouverte 7/16 po
- Visseuse/embout T20, T30
- Visseuse hexagonale 1/8, 1/4 po (clé Allen)
- Niveau
- Robinet de sectionnement d'eau (facultatif mais recommandé)
- Conduite d'eau 8 pi (une par appareil raccordé à l'eau)
- Ruban-cache
- Alcool à friction
- Clé à molette
- Poinçon
- Trousse d'union d'éléments chauffants (ZKUN) (requis seulement pour les appareils ayant 10,2 cm [4 po] ou moins entre eux)
- Trousses de porte en acier inoxydable (le cas échéant)
- Panneaux personnalisés pour portes (le cas échéant)
- Trousses de poignée (le cas échéant)
- Petite clé à cliquet

QUINCAILLERIE FOURNIE (par appareil)

- Bouchon de dérivation de filtre à eau (le cas échéant)
- Filtre à air (le cas échéant)
- Ferrure antibasculément
- 3 tirefonds
- 3 vis Tapcon
- 3 boulons à ailettes
- 1 goupille bêta
- 1 cheville de retenue
- Gabarits pour installation de panneaux
- 2 garnitures de porte
- 2 supports de panneau de porte
- Vis de serrage
- Vis à bois cruciformes no 6
- Cache de support de porte

MISE À LA TERRE DE L'APPAREIL

⚠ AVERTISSEMENT Risque d'électrocution

Le non-respect de ces instructions peut occasionner un décès, un incendie ou un choc électrique

Le cordon d'alimentation de cet appareil est muni d'une fiche à 3 broches (mise à la terre) qui se branche dans une prise murale ordinaire à 3 alvéoles (mise à la terre) pour réduire au minimum les risques de chocs électriques.

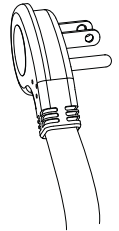
Faites examiner la prise de courant et le circuit par un électricien qualifié pour vous assurer que la prise est correctement mise à la terre.

Dans le cas d'une prise biphasée (2 alvéoles), l'installateur a la responsabilité et l'obligation de la remplacer par une prise triphasée correctement mise à la terre.

EN AUCUN CAS, NE COUPEZ NI NE RETIREZ LA TROISIÈME BROCHE (TERRE) DU CORDON ÉLECTRIQUE.

N'UTILISEZ PAS UNE FICHE D'ADAPTATION POUR BRANCHER LE RÉFRIGÉRATEUR DANS UNE PRISE À DEUX BORNES.

N'UTILISEZ PAS UN CORDON DE RALLONGE AVEC CET APPAREIL.



PLANCHER

Une installation correcte exige que ce produit soit placé sur la surface de niveau d'un matériau solide de la même hauteur que le reste du plancher. Cette surface doit être suffisamment robuste pour supporter un réfrigérateur ou un congélateur totalement rempli, ou environ 1 200 lb (545 kg) par appareil.

REMARQUE : Protégez le fini du plancher.

REMARQUE : Non recommandé pour une installation sur moquette.

- Vis T30
- 1 cheville de limitation de charnière
- Support de panneau de porte central
- Vis Hi-Lo et la rondelle carrée
- Panneau d'accès
- Vis de panneau d'accès peintes

Instructions d'installation - Installation intégrée simple

ÉTAPE 1 RETRAIT DE L'EMBALLAGE

⚠ AVERTISSEMENT

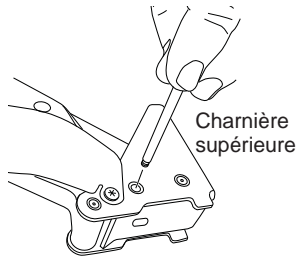


Risque de

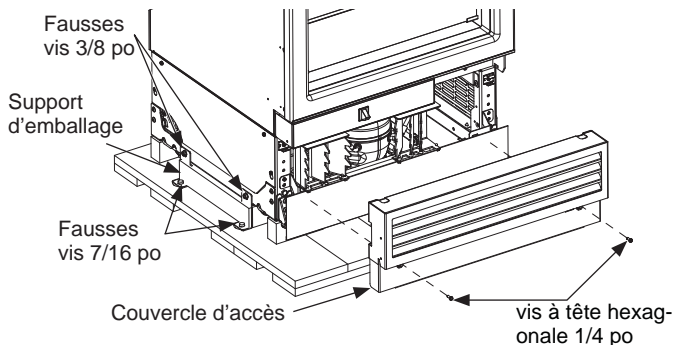
basculement. Cet électroménager est lourd du haut. Usez d'extrême prudence en le déplaçant afin de prévenir un basculement susceptible d'occasionner des blessures graves ou la mort.

- Retirez la boîte extérieure et autres parties de l'emballage extérieur des appareils.
- Vérifiez l'absence de dommages.
- Si l'installation nécessite l'inversion du sens d'ouverture de porte, suivez les instructions de la section Inversion du sens d'ouverture de porte AVANT de retirer l'appareil du patin de manutention.
- Assurez-vous que le plancher sur lequel reposeront les appareils est propre et exempt de débris pouvant s'agglutiner ou coincer l'avant des roulettes et endommager le plancher. Il est aussi recommandé que le plancher soit protégé par un recouvrement plastique pendant la durée de l'installation.
- Retirez la trousse de quincaillerie du tiroir supérieur.
- Si l'installation doit permettre l'ouverture d'une porte à 90°, une cheville de limitation de charnière doit être installée sur la charnière supérieure AVANT de retirer l'appareil du patin de manutention. La cheville de limitation se trouve dans la trousse de quincaillerie.

- Ouvrez la porte à environ 45° sans dépasser 90° afin d'exposer le trou dans le support de charnière arrière, puis posez la cheville de limitation. La cheville de limitation doit reposer à fond dans le support sinon la porte ne fermera pas correctement.



- Enlevez le couvercle d'accès frontal de l'appareil en retirant deux vis à tête hexagonale 1/4 po. (certains modèles sont munis d'un panneau d'accès dans une boîte du côté gauche de la carrosserie). Mettez le couvercle et les vis de côté pour l'installation à venir.



- Retirez trois fausses vis 3/8 po et deux fausses vis 7/16 po de chaque côté de l'appareil afin de le libérer du patin de manutention. Inclinez l'appareil depuis un côté suffisamment pour retirer le matériel d'emballage qui se trouve en dessous, mais au-dessus du patin de manutention (deux côtés).
- AVEC PRÉCAUTION, roulez l'appareil pour le dégager du côté arrière du patin de manutention.
- Manipulez l'appareil depuis le côté seulement à l'aide d'un chariot.

ÉTAPE 2 INSTALLEZ LA CONDUITE D'EAU

⚠ AVERTISSEMENT

Raccordez l'appareil à une alimentation d'eau potable seulement. Une alimentation d'eau froide est requise pour faire fonctionner la machine à glaçons et le pichet à remplissage automatique. La pression d'eau doit se situer entre 40 et 120 psi. (275 à 827 kPa).

⚠ AVERTISSEMENT



RISQUE DE DÉCHARGE ÉLECTRIQUE

Fixez le collier de serrage dans le trou présent seulement. NE PERCEZ PAS dans le réfrigérateur.

Fermez l'alimentation d'eau principale.

Ouvrez le robinet le plus près suffisamment longtemps pour nettoyer la conduite d'eau.

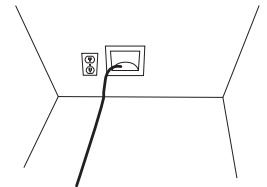
- Installez un robinet de sectionnement entre le robinet d'eau et le tuyau d'eau froide dans le sous-sol ou une armoire. Le robinet de sectionnement doit être situé à un endroit aisément accessible.
- Ouvrez l'alimentation d'eau principale et rincez les débris. Faites couler environ un litre d'eau à travers le tuyau aboutissant dans un seau. Coupez l'alimentation d'eau au robinet de sectionnement.

REMARQUE : Des robinet de sectionnement à étrier sont inclus dans plusieurs trousse d'alimentation d'eau. Avant d'acheter, assurez-vous qu'un robinet de sectionnement à étrier satisfait les codes de plomberie de votre région.

REMARQUE : Les codes de plomberie 248CMR du Commonwealth du Massachusetts doivent être satisfaits. Les robinets à étrier sont illégaux et leur utilisation prohibée dans le Massachusetts. Consultez votre plombier agréé.

- Acheminez le tuyau de cuivre 1/4 po (D.E.) ou le tuyau plastique SmartConnect™ (WX08X10006) entre la conduite d'eau froide du domicile et le raccord d'eau sur le devant de l'appareil.

Des trousse de tuyau pour réfrigérateur SmartConnect™ sont disponibles. Un tuyau d'eau de 8 pi (2,4 m) (WX08X10006) est nécessaire pour chaque appareil. Le ou les tuyaux d'eau seront fixés au plancher avec du ruban cache après la pose de la ferrure antibasculement.



- Le tuyau doit être suffisamment long pour atteindre le devant de l'appareil. Prévoyez une longueur de tuyau suffisante pour la courbe menant au raccord de la conduite d'eau. L'appareil doit être incliné sur le côté afin d'acheminer le tuyau d'eau en dessous et jusqu'à l'avant de l'électroménager.

REMARQUE : Les seuls tuyaux en plastique approuvés par GE Appliances sont ceux inclus dans les trousse de tuyaux pour réfrigérateur SmartConnect™. N'utilisez pas d'autres tuyaux d'alimentation d'eau en plastique car ils seront sous pression constamment. D'autres types de plastique peuvent se fissurer ou se rompre avec le temps et occasionner des dégâts d'eau dans votre domicile..

Instructions d'installation - Installation intégrée simple

ÉTAPE 3 PRÉPARATION DE L'APPAREIL POUR L'INSTALLATION

- Placez l'appareil de droite devant l'ouverture à l'endroit où vous prévoyez l'installer.

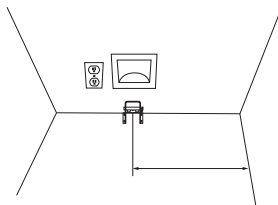
ÉTAPE 4 INSTALLATION DE LA FERRURE ANTIBASCULEMENT

⚠ AVERTISSEMENT Risque de

basculement. Cet électroménager est lourd du haut. Usez d'extrême prudence en le déplaçant afin de prévenir un basculement susceptible d'occasionner des blessures graves ou la mort. Lisez et observez la totalité des instructions d'installation pour connaître la façon de fixer l'électroménager sur le dispositif antibasculement.

- Retirez la ferrure antibasculement de la trousse de quincaillerie.
- La ferrure antibasculement doit être montée sur le mur arrière ou jusqu'à un maximum de 25-1/2 po (64.7 cm) depuis le devant de l'ouverture. Utilisez le montage sur plancher si la ferrure n'ira pas au mur (la visserie pour cette ferrure est fournie pour un montage sur bois, montants d'acier ou béton).

Appareil	De l'enceinte
18 po	8-7/8 po (22.5 cm)
24 po	5-3/4 po (14.6 cm)
30 po	5-3/4 po (14.6 cm)



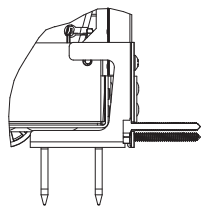
- En vous reportant au tableau, mesurez et marquez la distance depuis le côté gauche de l'ouverture selon la largeur du modèle à installer.
- Montez la ferrure antibasculement en la centrant d'après la marque et à égalité du plancher, comme illustré. Marquez 3 trous pour le montage sur mur et 4 trous pour le montage sur plancher.

MONTAGE SUR BOIS : Percez un trou de guidage de 2 po de profondeur avec un foret 3/16 po, puis posez des tirefonds à l'aide d'une visseuse 7/16 po.

MONTAGE SUR BÉTON : Percez un trou de guidage de 2 po de profondeur avec un foret 5/32 po, puis posez des vis Tapcon à l'aide d'une visseuse 7/16 po.

MONTAGE SUR ACIER

Percez un trou de guidage avec un foret 1/2 po, puis posez les boulons à l'aide d'une visseuse 7/16 po.

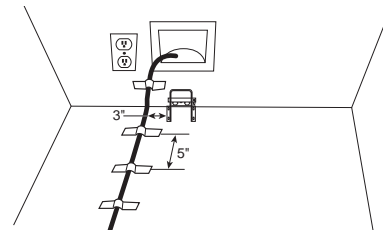


La ferrure doit être vissée dans le **PLANCHER** ou le **MUR ARRIÈRE**.

- Si l'enceinte est plus profonde que 25 1/2 po, la ferrure antibasculement doit être fixée au plancher à 25 po du devant de l'enceinte.

ÉTAPE 4 INSTALLATION DE LA FERRURE ANTIBASCULEMENT (suite)

- Fixez le tuyau d'eau avec du ruban-cache sur le mur et le plancher à environ 3 po à la gauche de la ferrure antibasculement. Appliquez du ruban tous les 5 po vers le devant de l'ouverture (le ruban empêchera l'appareil de rouler sur le tuyau d'eau pendant l'installation). N'appliquez pas de ruban près du devant de l'armoire afin qu'il demeure dissimulé sous l'appareil.

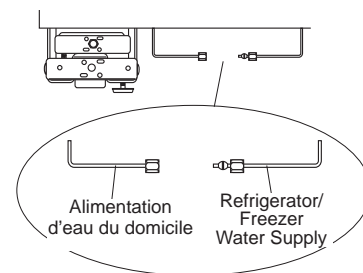


ÉTAPE 5 RACCORDEMENT DE L'ALIMENTATION D'EAU

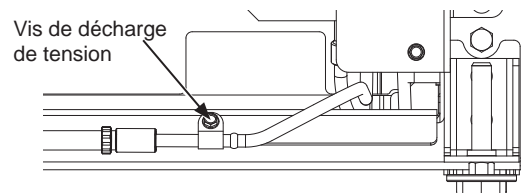
⚠ AVERTISSEMENT Raccordez l'appareil à une alimentation d'eau potable seulement. Une alimentation d'eau froide est requise pour faire fonctionner la machine à glaçons et le pichet à remplissage automatique. La pression d'eau doit se situer entre 40 et 120 psi. (275 à 827 kPa).

⚠ AVERTISSEMENT RISQUE DE DÉCHARGE ÉLECTRIQUE

Fixez le collier de serrage dans le trou présent seulement. **NE PERCEZ PAS** dans le réfrigérateur.



- Repérez et acheminez le tuyau à l'avant de l'armoire.
- Ouvrez l'alimentation d'eau pour rincer les débris de la conduite. Faites couler environ un litre d'eau à travers le tuyau aboutissant dans un seau, puis fermez l'alimentation d'eau.
- Retirez la vis de décharge de tension pour laisser suffisamment de jeu pour le raccordement d'eau. (La vis doit être reposée à l'étape suivante.)



Instructions d'installation - Installation intégrée simple

ÉTAPE 5 RACCORDEMENT DE L'ALIMENTATION D'EAU (Suite)

Tuyau de cuivre :

- Enfiler un écrou 1/4 po et une bague d'extrémité (fournis) aux deux bouts du tuyau de cuivre. Insérez le tuyau dans le raccord union sur l'appareil et serrez l'écrou sur le raccord union.
- Ouvrez l'alimentation d'eau pour vérifier l'absence de fuites.

Tuyau SmartConnect™ :

REMARQUE : Les seuls tuyaux en plastique approuvés par GE Appliances sont ceux inclus dans les trousse de tuyaux pour réfrigérateur SmartConnect™. N'utilisez pas d'autres tuyaux d'alimentation d'eau en plastique car ils seront sous pression constamment. D'autres types de plastique peuvent se fissurer ou se rompre avec le temps et occasionner des dégâts d'eau dans votre domicile.

- Insérez l'extrémité moulée du tube dans le raccord du réfrigérateur ou du congélateur. Serrez l'écrou à compression à la main.
- Suivez les instructions fournies avec la tuyauterie. Un serrage excessif peut causer des fuites!
- Ouvrez l'alimentation d'eau pour vérifier l'absence de fuites.

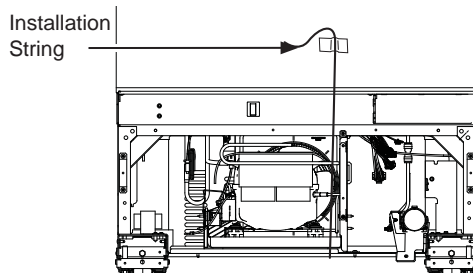
ÉTAPE 6 PLACEMENT ET FIXATION DANS L'ENCADREMENT

- Branchez l'appareil dans la prise murale.

⚠ AVERTISSEMENT Risque

d'électrocution. Afin de réduire le risque d'électrocution, usez de prudence lors des étapes d'installation suivantes afin de ne pas toucher au câblage ou composants électriques à l'intérieur du compartiment du compresseur une fois que l'électroménager est branché sans le couvercle d'accès refermé.

- Repérez la corde d'installation attachée sur la porte de l'appareil; elle sert lorsque vous poussez l'appareil dans l'ouverture. Cette corde est attachée au cordon électrique; à mesure que vous poussez l'appareil dans l'ouverture, vous devez tirer fermement pour vous assurer que le cordon d'alimentation est acheminé sous l'appareil.



STEP 6 INSERTING/SECURING INTO CABINET SURROUND

- Poussez lentement l'appareil dans l'ouverture en vous assurant de ne pas toucher aux armoires des côtés et du dessus afin de prévenir les dommages. La façade de porte doit se trouver à 7/8 po derrière la face avant des armoires environnantes, autant pour l'installation d'un panneau en acier inoxydable que pour un panneau personnalisé.

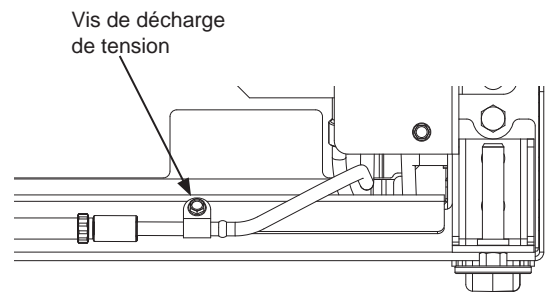
⚠ AVERTISSEMENT Trisque de

basculement. Ces électroménagers sont lourds du haut, notamment lorsqu'une porte est ouverte, de sorte qu'ils doivent être fixés pour prévenir un basculement vers l'avant susceptible d'occasionner des blessures graves ou la mort.

- Placez le cordon électrique sur son bord et tirez-le au-dessous de l'appareil entre les roulettes et à l'écart des ferrures antibasculement afin que le cordon ne soit pas endommagé pendant l'installation.
- À mesure que vous poussez l'appareil dans l'ouverture, vous devez tirer la corde fermement pour vous assurer que le cordon électrique passe sous l'appareil.



- Reposez la vis de décharge de tension du tuyau d'eau.



- Rangez la bande excédentaire, la corde et le tuyau d'eau sous l'appareil.

⚠ AVERTISSEMENT Risque

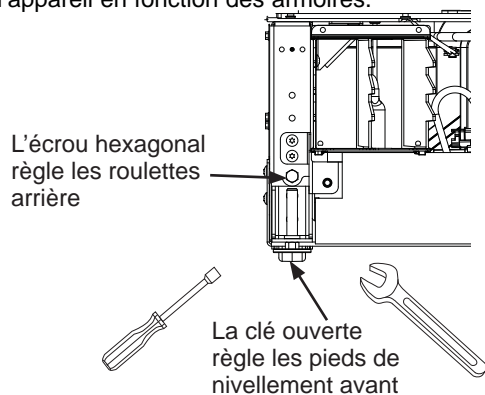
d'électrocution. Reposez la vis de décharge de tension dans le profilé avant comme illustré.

Instructions d'installation - Installation intégrée simple

ÉTAPE 7 MISE À NIVEAU DE L'APPAREIL

Tous les modèles sont dotés de 4 points de nivellement. Le devant est supporté par des pieds de nivellement; l'arrière, par des roulettes réglables. Les deux types sont accessibles depuis le devant de l'appareil.

- Pour niveler l'arrière de l'appareil, tournez l'écrou hexagonal 7/16 po situé au-dessus des roulettes avant. Tournez dans le sens des aiguilles pour lever l'appareil, dans le sens inverse pour le baisser.
- Pour niveler le devant, utilisez une clé ouverte 7/16 po.
- Réglez la hauteur de l'appareil pour qu'elle corresponde à l'ouverture d'installation de 84 po. Il faut niveler et aplomber l'appareil en fonction des armoires.

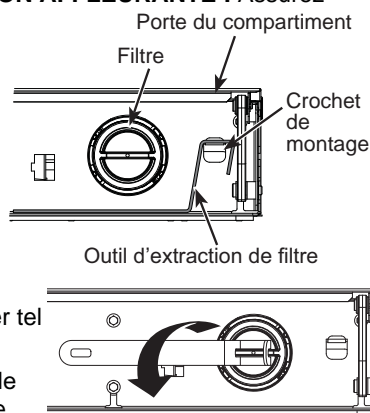


AVIS : Les roulettes de nivellement arrière et les pieds de nivellement avant sont limités à une hauteur de réglage maximale de 1 po. Si l'installation exige une hauteur supérieure à 84 po, l'installateur doit surélever l'appareil sur une feuille de contreplaqué ou des rails. On peut aussi ajouter une garniture d'armoire dans le haut de l'ouverture pour raccourcir celle-ci. Une tentative de lever l'appareil de plus de 1 po endommagera les pieds de nivellement avant et les roulettes de nivellement arrière.

ÉTAPE 8 PRÉPARATION FINALE DE L'EXTÉRIEUR DE L'APPAREIL

POUR UNE INSTALLATION AFFLEURANTE : Assurez-vous que la face avant de la porte se situe à 7/8 po derrière la face avant des armoires environnantes AVANT de fixer les supports sur ces armoires.

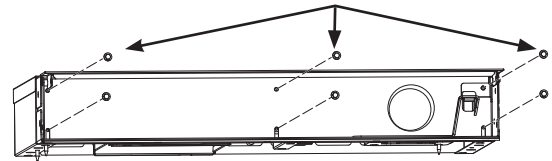
- Ouvrez la porte des unités. Repérez le filtre et l'outil d'extraction du filtre. Le filtre doit se placer tel qu'illustré.
- Tournez le filtre de 1/4 de tour dans le sens contraire des aiguilles (utilisez l'outil d'extraction de filtre si nécessaire).
- Tirez le filtre vers vous pour le retirer. **NOTA :** Le système d'eau ne fonctionnera pas sans le filtre en place.



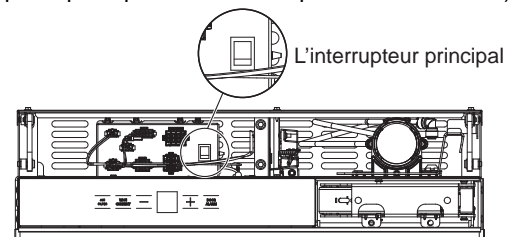
ÉTAPE 8 PRÉPARATION FINALE DE L'EXTÉRIEUR DE L'APPAREIL (Suite)

- Assurez-vous que les lampes sont à l'intérieur de l'unité. Si ce n'est pas le cas, assurez-vous que l'interrupteur principal est à ON (sous tension) en retirant l'enceinte frontale fixée par six vis hexagonales 1/4 po.

Vis hexagonales 1/4 po

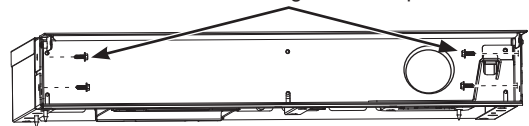


- Mettez l'interrupteur principal à ON s'il ne l'est pas. (Fils de l'interrupteur principal non illustrés par souci de clarté.)

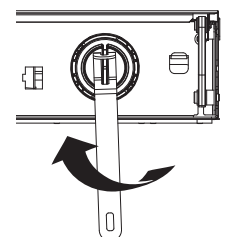
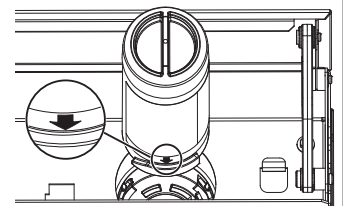


- Assemblez l'enveloppe avec les vis retirées précédemment.
- Prépercez des trous de 1/16 po dans les deux côtés du contour sur une profondeur de 1/2 po à travers les trous dans l'enceinte.
- Fixez l'unité en vissant quatre vis hexagonales 1/4 po dans les deux côtés des armoires environnantes. **REMARQUE :** Cette étape ne remplace PAS la quincaillerie antibasculement. Reportez-vous à l'étape 4 Installation de la ferrure antibasculement et à l'étape 7 Insertion/Fixation dans le contour d'armoires pour des instructions détaillées sur l'installation de la ferrure antibasculement. Répétez la procédure pour le deuxième appareil.

Vis hexagonales 1/4 po



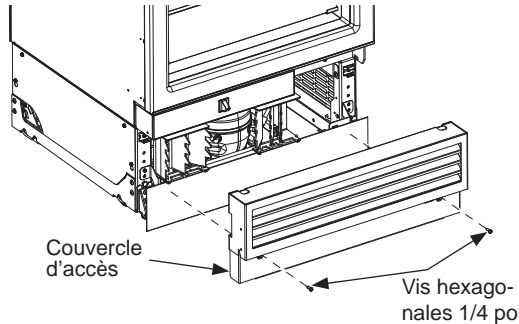
- Repérez la flèche bleue sur le filtre. Tournez le filtre pour aligner la flèche comme illustré.
- Insérez le filtre en position et tournez-le de 1/4 de tour dans le sens des aiguilles (utilisez l'outil d'extraction de filtre si nécessaire).
- Retournez l'outil d'extraction de filtre sur le crochet de montage.
- Fermez la porte du compartiment.



Instructions d'installation - Installation intégrée simple

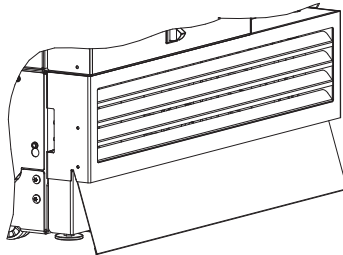
ÉTAPE 8 PRÉPARATION FINALE DE L'EXTÉRIEUR DE L'APPAREIL (Suite)

- Remplacez le couvercle d'accès sur l'unité et fixez-le avec deux vis hexagonale 1/4 po.



ÉTAPE 9 INSTALLATION DU COUP-DE-PIED

- Insérez le coup-de-pied dans la fente du couvercle d'accès frontal en le faisant pivoter vers vous.
- Poussez la partie inférieure du coup-de-pied vers le produit et glissez en place.



ÉTAPE 10 PRÉPARATION DE L'INTÉRIEUR DE L'APPAREIL

- Retirez tout le ruban, le carton et la mousse de la appareil (Les supports en mousse sont situés derrière les côtés gauche et droit à l'avant de chaque tablette de verre sur les modèles Réfrigérateur)
- Retirez les balconnets emballés des tablettes.
- Déballez et installez les balconnets.
- Installez les coussinets de balconnets.

ÉTAPE 11 DÉMARRAGE DE LA MACHINE À GLAÇONS (modèles de congélateur)

ATTENTION

Afin de réduire le risque de blessure, évitez tout contact avec les pièces mobiles du mécanisme d'éjection ou l'élément chauffant qui libère les cubes. Ne placez pas les doigts ou les mains sur le mécanisme de production de glace automatique lorsque l'électroménager est branché dans la prise électrique.

Un congélateur nouvellement installé peut mettre de 12 à 24 heures pour commencer à produire de la glace.

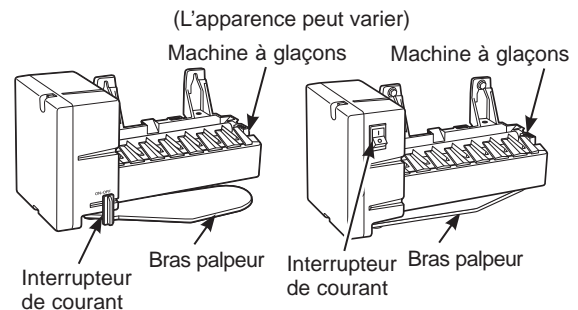
La machine à glaçons produira sept glaçons par cycle, environ 15 cycles sur une période de 24 heures selon la température du compartiment congélateur, la température de la pièce, le nombre d'ouvertures de porte et d'autres conditions d'utilisation.

Si le congélateur est utilisé avant le raccordement de l'alimentation d'eau à la machine à glaçons, mettez l'interrupteur de courant à OFF (Arrêt). Il faut retirer le panier de broche supérieur pour accéder à l'interrupteur de la machine à glaçons.

Une fois le congélateur raccordé à l'alimentation d'eau, mettez l'interrupteur à **ON (marche)**.

Jetez les premiers remplissages de bac de glaçons pour permettre le nettoyage de la conduite d'eau.

Assurez-vous que rien ne gêne le mouvement du bras palpeur.



Lorsque le bac se remplit au niveau du bras palpeur, la machine à glaçons cesse de produire de la glace.

Il est normal que plusieurs glaçons s'agglutinent.

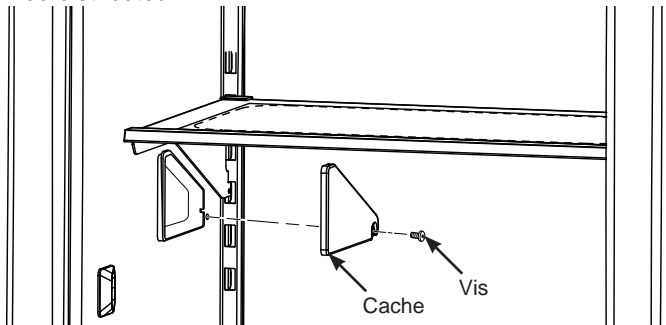
L'aspect, le goût et la taille des vieux glaçons seront altérés si ceux-ci ne sont pas consommés fréquemment.

REMARQUE : La machine à glaçons fonctionne mieux à une pression d'eau domestique entre 40 et 120 PSI (275 à 827 kPa).

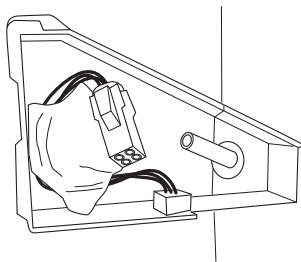
Instructions d'installation - Installation intégrée simple

ÉTAPE 12 INSTALLATION DU DISTRIBUTEUR ET DU PICHET À REMPLISSAGE AUTOMATIQUE (certains modèles de réfrigérateur)

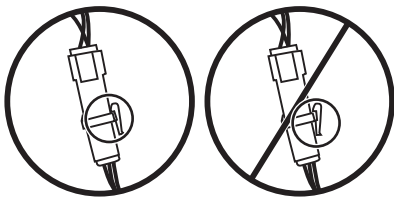
- Repérez le couvercle d'accès pour distributeur à remplissage automatique sur le côté gauche de l'intérieur du réfrigérateur. Retirez la vis Torx T20 qui fixe le couvercle d'accès, située vers l'arrière du couvercle. Conservez cette vis pour la pose du distributeur.



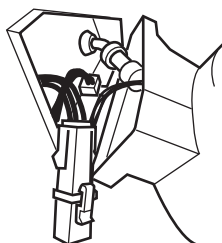
- Glissez le couvercle d'accès vers l'avant pour l'enlever. Cela exposera le connecteur électrique et le tuyau d'eau.



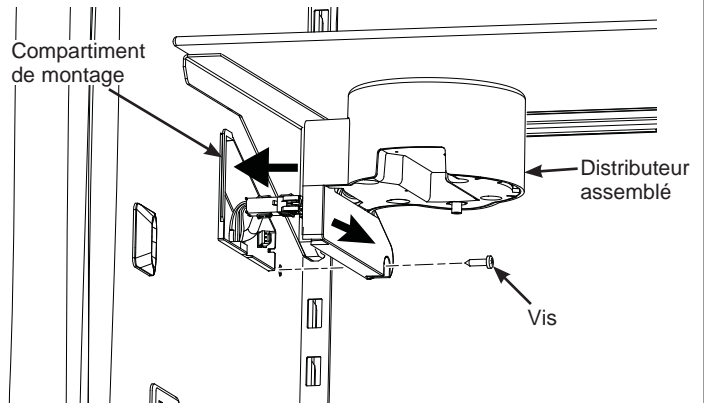
- Retirez le distributeur et le pichet à remplissage automatique de la boîte. Branchez le connecteur à 4 broches du distributeur sur le connecteur dans la paroi du compartiment.



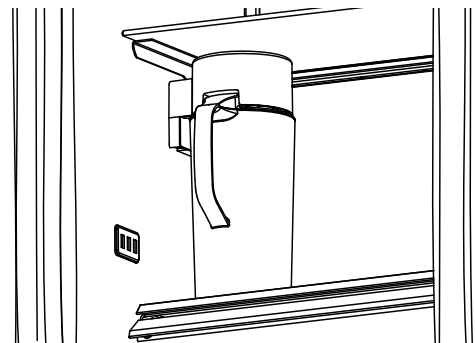
- Assurez-vous que la languette de verrouillage du connecteur est insérée à fond.
- Connectez le raccord de tuyau d'eau du distributeur sur le tuyau d'eau situé dans le compartiment. Assurez-vous que le tuyau d'eau est raccordé fermement afin qu'il ne puisse se détacher facilement. Le tuyau d'eau doit être inséré jusqu'à la marque sur le tuyau.



- Dissimulez les fils et la tuyauterie à l'intérieur du compartiment de la paroi et placez le distributeur sur l'extrémité avant du montage jusqu'à égalité avec la paroi intérieure du réfrigérateur. Glissez le distributeur assemblé vers la paroi arrière jusqu'à ce que le trou de la vis de montage soit visible.



- Fixez le distributeur à l'aide de la vis Torx T20 retirée précédemment.
- Assurez-vous que l'alimentation d'eau est raccordée au réfrigérateur avant de poursuivre.
- Alignez l'encoche du couvercle de pichet sur le guide du distributeur dans le haut du réfrigérateur et glissez le pichet vers l'arrière du réfrigérateur jusqu'à ce qu'il s'arrête. Il peut s'écouler jusqu'à 5 secondes avant que l'eau ne commence à remplir le pichet.



- Le remplissage du pichet s'effectuera jusqu'à un niveau prédéterminé puis cessera. Il est normal que le niveau d'eau soit en-dessous du bord supérieur du pichet.

REMARQUE : Après la mise en place du pichet, faites couler 2 gallons (8 litres) d'eau (environ 5 pichets pleins) à travers le distributeur afin de purger l'air du système. Il est normal d'apercevoir un changement de la couleur de l'eau lors de la purge initiale du système. De l'eau jaillira suite à l'installation d'une nouvelle cartouche et dégouttera jusqu'à ce que l'air soit purgé du système. La couleur de l'eau reviendra à la normale après les premières minutes de distribution. Avant l'utilisation, lavez le pichet et le couvercle après le rinçage initial.

REMARQUE : Ne placez pas le pichet dans le guide du distributeur avant d'avoir effectué le raccordement de l'alimentation d'eau au réfrigérateur.

Installation du panneau de porte en acier inoxydable
Cette étape peut être exécutée pour tous les types d'installation.

Instructions d'installation - Panneau en acier inoxydable

Trousse de panneau de porte en acier inoxydable offerte avec poignées européennes ou professionnelles.

ZK1SN189NLH	Panneau de porte en acier inoxydable - Gauche 18 po
ZK1SN184NRH	Panneau de porte en acier inoxydable - Droit 18 po
ZK1SN249NLH	Panneau de porte en acier inoxydable - Gauche 24 po
ZK1SN244NRH	Panneau de porte en acier inoxydable - Droit 24 po
ZK1SN309NLH	Panneau de porte en acier inoxydable - Gauche 30 po
ZK1SN304NRH	Panneau de porte en acier inoxydable - Droit 30 po
ZKSP1H1CNSS	Poignée Minimalist pour panneaux en acier inoxydable seulement
ZKSP1H1PNSS	Poignée Statement pour panneaux en acier inoxydable seulement

Le panneau en acier inoxydable est entièrement assemblé avec des supports et une poignée installée pour une ouverture de porte à gauche ou à droite. Les trousse de porte à ouverture vers la droite peuvent être modifiées et adaptées à des appareils ayant une ouverture vers la gauche. N'enlevez pas la pellicule protectrice de la porte tant que l'installation n'est pas terminée.

⚠ AVERTISSEMENT

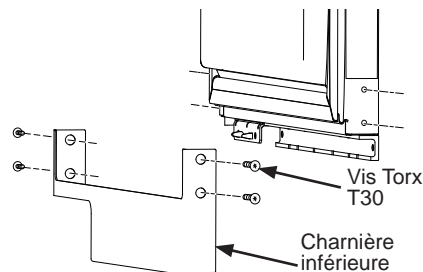


Risque de pincement

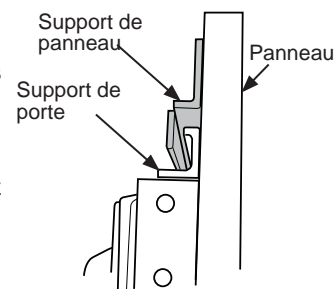
de doigts. Une installation incorrecte peut poser un risque de coincement de doigts entre la garniture de porte latérale et les armoires en manipulant la porte, en particulier pour les enfants. Pour réduire ce risque, vous devez suivre les instructions d'installation relatives aux dimensions d'armoire, au montage des garnitures et à l'angle de l'arrêt de porte.

ÉTAPE 1 INSTALLATION DU PANNEAU SUPERPOSÉ

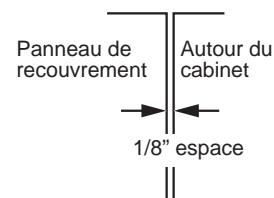
- Enlevez le couvercle de charnière inférieure et conservez les 4 vis Torx T30 pour installation ultérieure.



- Ouvrez la porte à 90°. Glissez le panneau sur la porte avec les supports de panneau s'emboîtant avec les supports de porte dans le haut et le bas (assurez-vous de ne pas glisser le panneau dans le contour de l'armoire). Centrez le panneau sur la porte, puis fermez la porte lentement tout en surveillant le panneau afin qu'il ne touche pas aux armoires environnantes.

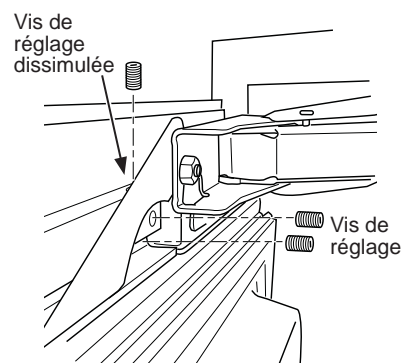
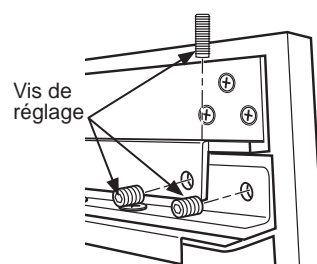


- Porte complètement fermée, glissez avec précaution le panneau vers l'armoire en laissant un jeu requis de 1/8 po.



ÉTAPE 2 RÉGLAGE DU PANNEAU EN ACIER INOXYDABLE

- Les réglages de porte sont effectués à l'aide des 12 vis de réglage fournies. Chaque coin de porte comporte 3 vis de réglage. Utilisez une clé Allen 1/8 po pour poser les vis de réglage dans l'ordre prescrit.
- Les vis de réglage derrière les ferrures de support supérieures et inférieures sont partiellement dissimulées.



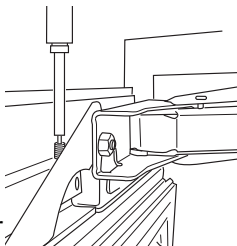
Instructions d'installation - Panneau en acier inoxydable

ÉTAPE 2 RÉGLAGE DU PANNEAU EN ACIER INOXYDABLE

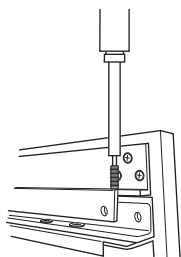
■ Suivez les étapes suivantes pour poser les vis de réglage.

■ Pour un montage affleurant, vérifiez l'espace entre le panneau et les armoires du côté poignée.

- Si l'espace vertical entre l'armoire et le panneau est plus petit dans le haut que dans le bas, insérez et posez la vis verticale sur le support supérieur près du côté charnière jusqu'à ce que l'espace soit uniforme tout le long de la section verticale. (Il pourrait s'avérer nécessaire de glisser le panneau pour réaligner l'espace latéral à 1/8 po.)

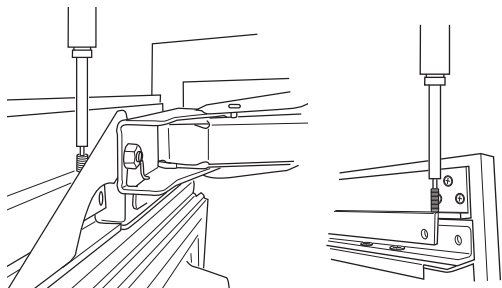


- Si l'espace verticale entre l'armoire et le panneau est plus grand dans le haut que dans le bas, insérez et posez la vis verticale sur le support supérieur près du côté poignée jusqu'à ce que l'espace soit uniforme tout le long de la section verticale. (Il pourrait s'avérer nécessaire de glisser le panneau pour réaligner l'espace latéral à 1/8 po.)



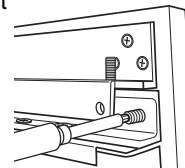
■ Vérifiez l'alignement dans le haut du panneau. On peut effectuer les réglages en tournant les vis de réglage verticales (dans la même proportion) dans le haut du support de panneau (2 vis de réglage par panneau).

Emplacements des vis de réglage verticales.

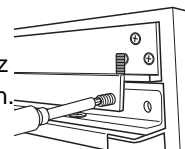


■ Il est possible de régler les panneaux s'ils ne reposent pas à plat. Commencez par le réglage des coins supérieurs puis procédez vers les coins inférieurs. Chaque coin peut être réglé indépendamment.

- Si le panneau se situe trop profondément à l'intérieur des armoires, il doit être éloigné de l'appareil. Posez les vis horizontales les plus à l'extérieur dans les 4 coins et vissez jusqu'à ce que le panneau soit en position.

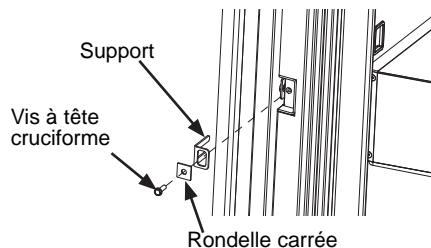


- Si le panneau dépasse trop des armoires environnantes, il doit se rapprocher de l'appareil. Posez les vis horizontales les plus à l'intérieur dans les 4 coins et vissez jusqu'à ce que le panneau soit en position.



Une fois le panneau réglé à la bonne position, fixez-le en vissant et serrant d'abord les vis verticales dans le bas des supports de porte, puis vissez et serrez les vis horizontales restantes. TOUTES LES 12 VIS DE RÉGLAGE doivent être vissées et fermement serrées afin de fixer le panneau correctement.

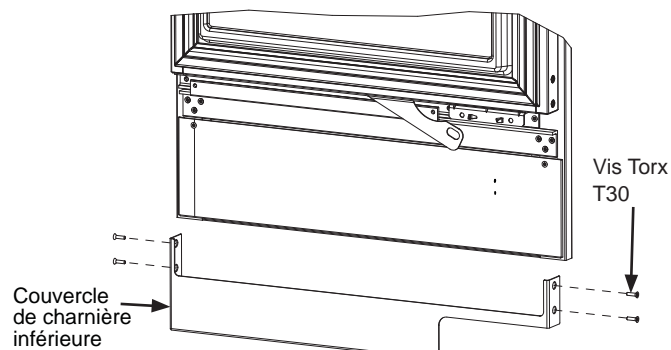
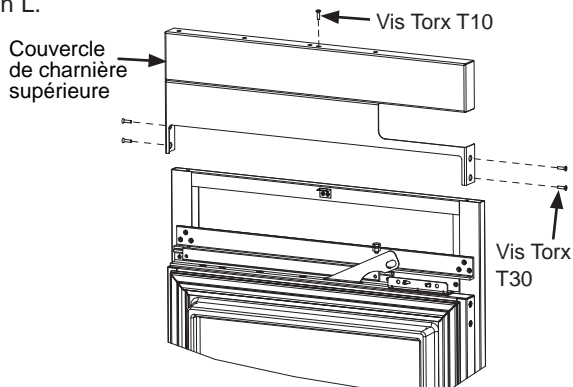
■ Une fois les supports de panneau de porte supérieurs et inférieurs fixés en posant et serrant toutes les 12 vis de réglage, utilisez une vis cruciforme Hi-Lo et la rondelle carrée pour fixer le support de montage central.



ÉTAPE 3 INSTALLATION DES COUVERCLES DE CHARNIÈRE

■ Remplacez les couvercles de charnière supérieure et inférieure à l'aide de 4 vis Torx T30 par couvercle.

■ À l'aide d'une vis T10, fixez le haut du couvercle au support en L.

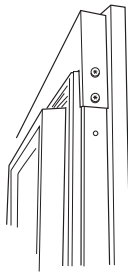


Instructions d'installation - Panneau en acier inoxydable

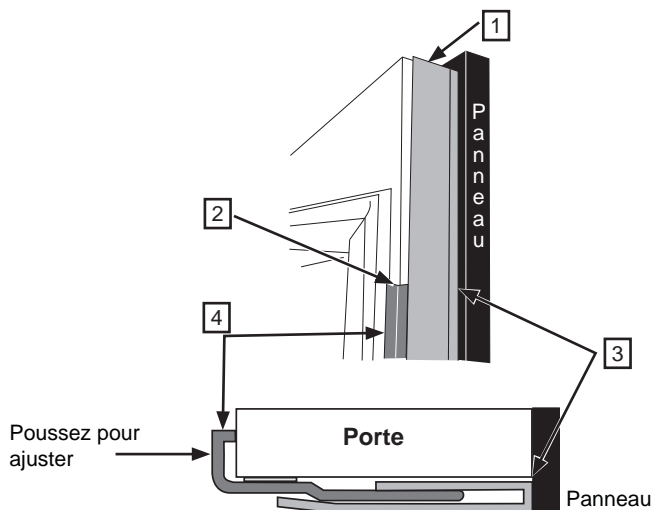
ÉTAPE 4 INSTALLATION DES GARNITURES DE PORTE

Deux (2) garnitures de porte doivent être installées. L'une pour le côté poignée et l'autre pour le côté charnière. La plus longue va du côté poignée et la plus petite, du côté charnière. Installez la garniture côté poignée en premier.

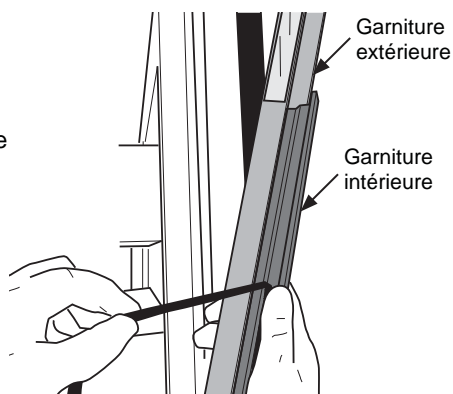
- Nettoyez le côté de la porte, y compris le côté des couvercles de charnière supérieure et inférieure, avec de l'alcool à friction afin d'améliorer l'adhésion de la garniture.
- La garniture latérale est composée d'une garniture extérieure et d'une garniture intérieure. Il faut avoir effectué les réglages avant de fixer la garniture sur le côté de la porte. Sans retirer la doublure des bandes adhésives, vérifiez que la garniture s'ajuste bien au côté de la porte.



1. Alignez le dessus de la garniture extérieure sur le dessus du panneau de porte.
2. La garniture intérieure doit se placer entre les couvercles de des charnières supérieure et inférieure.
3. Assurez-vous que la garniture extérieure repose à égalité avec le dos du panneau de porte.
4. Réglez la garniture intérieure jusqu'à ce qu'elle arrive à égalité avec le dos de la porte en poussant dans la garniture extérieure.

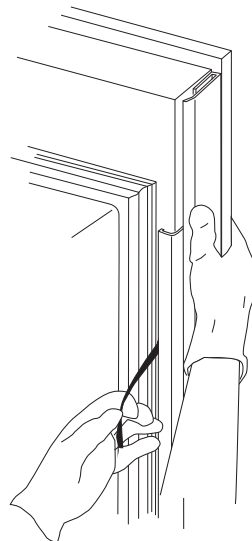


- Une fois l'ajustement vérifié, enlevez la garniture et retirez la doublure sur une longueur de 8 à 10 po du ruban adhésif de la garniture intérieure.



- Sans que le ruban adhésif exposé ne touche le côté de la porte, alignez le dessus de la garniture sur le dessus du panneau de porte. (La doublure de ruban va dépasser en alignant la garniture).

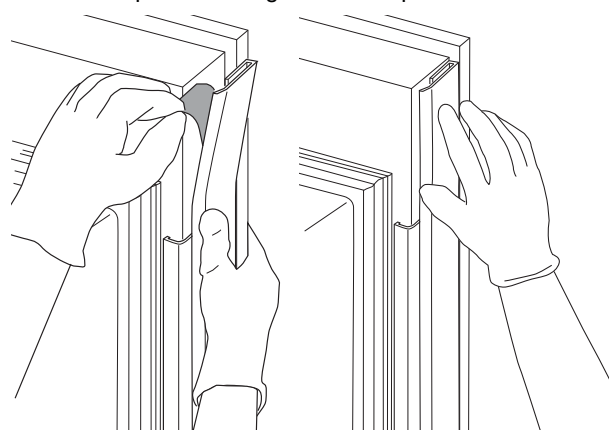
- Une fois la garniture en position (alignée sur le dessus de la porte et les couvercles de charnière, bien ajustée contre la porte et le panneau de porte), poussez sur le ruban adhésif exposé pour fixer la garniture. Tout en maintenant la garniture en place, commencez à tirer lentement la doublure de ruban en poussant pour faire adhérer le ruban jusqu'à ce que la doublure soit complètement retirée.



- Fixez les parties supérieure et inférieure de la garniture extérieure une fois la garniture intérieure fixée.

1. Tirez délicatement le haut de la garniture extérieure à l'écart du panneau de porte afin d'exposer la doublure de ruban. Ne courbez pas trop la garniture à distance de la porte car vous pourriez l'endommager.
2. Retirez la doublure de ruban de la garniture extérieure et pressez pour fixer la garniture.
3. Répétez la manœuvre dans le bas de la garniture extérieure.

- Une fois la garniture du côté poignée en place, exécutez les mêmes étapes avec la garniture de porte côté charnière.



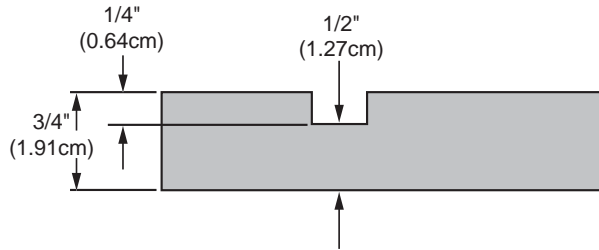
Installation de panneau décoratif personnalisé
Cette étape peut être exécutée pour tous les types d'installation.

Guide de conception - Panneau décoratif personnalisé

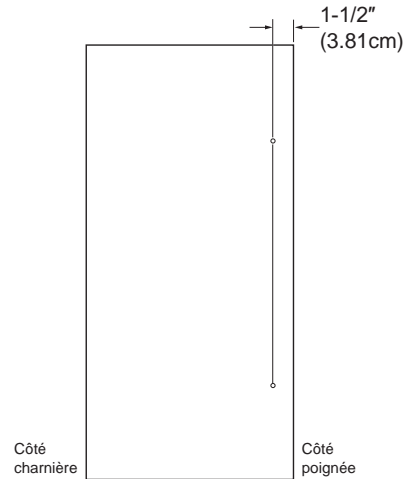
GUIDE DE CONCEPTION POUR POIGNÉES PERSONNALISÉES

Il faut utiliser des poignées personnalisées pour une installation affleurante. Pour une installation avec poignées personnalisées, des trous contre-perçés à l'arrière des panneaux décoratifs doivent garantir qu'une épaisseur de matériau de 1/2 po (1,27 cm) demeure pour supporter les poignées.

REMARQUE : Le diamètre du trou contre-percé ne doit pas dépasser 1 po (2,54 cm).



La distance minimale du bord latéral du panneau jusqu'au centre de la poignée doit être de 1 1/2 po (3,81 cm) comme illustré.



DIMENSIONS D'UN PANNEAU DÉCORATIF PERSONNALISÉ DE 3/4 po

Pour une apparence plus personnalisée, on peut installer les panneaux décoratifs de façon à ce qu'ils affleurent les armoires environnantes. L'épaisseur du panneau superposé doit être de 3/4 po (1,91 cm). Le panneau se fixe avec les supports inclus pour montage sur la porte de l'électroménager.

REMARQUE : Nous recommandons que les panneaux décoratifs soient arrondis ou biseautés aux coins et bords intérieurs par un menuisier afin d'adoucir les bords coupants des panneaux. Les bords à traiter doivent inclure les bords supérieur, inférieur et côté charnière.

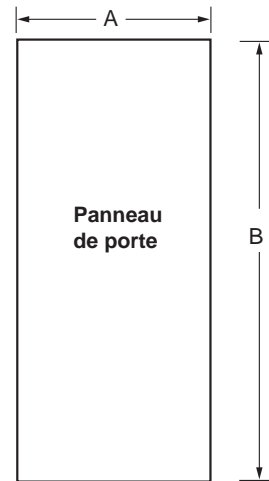
REMARQUE IMPORTANTE : Le poids maximal du panneau est de 45 lb (20 kg).

REMARQUE : La largeur des traverses et des montants doit être d'un minimum de 2 po (5,08 cm) dans le cas de panneaux construits avec ces éléments (5-panel).

Pour les trusses de panneaux en acier inoxydable, voyez la section Installation de panneau de porte en acier inoxydable à la page 45.

Pour les panneaux personnalisés, utilisez les gabarits fournis avec les appareils pour percer les trous de guidage servant à monter les supports de panneaux (fournis avec l'appareil). Les vis de réglage et les instructions sont fournies.

IMPORTANT : Les largeurs de panneau décoratif personnalisé de porte sont différentes selon qu'il s'agit de l'installation d'un seul appareil ou de deux appareils.



Dimensions de panneaux	Modèles 18 po	Modèles 24 po	Modèles 30 po
A	17-9/16 po (44.61cm)	23-9/16 po (59.85cm)	29-9/16 po (75.09)
B	79-7/8 po (202.88cm)	79-7/8 po (202.88cm)	79-7/8 po (202.88cm)

⚠ AVERTISSEMENT



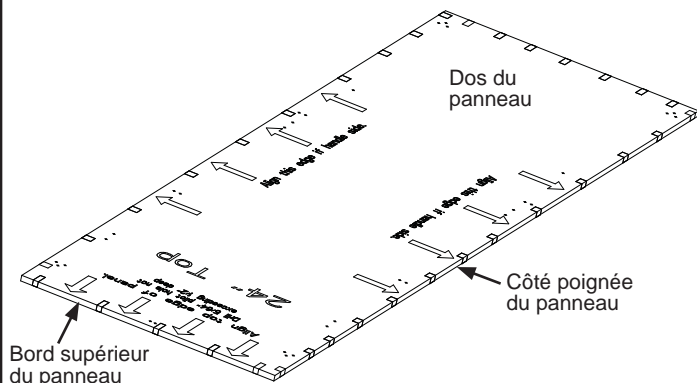
Risque de pincement de doigts

Une installation incorrecte peut poser un risque de coincement de doigts entre la garniture de porte latérale et les armoires en manipulant la porte, en particulier pour les enfants. Pour réduire ce risque, vous devez suivre les instructions d'installation relatives aux dimensions d'armoire, au montage des garnitures et à l'angle de l'arrêt de porte.

Instructions d'installation - Panneau décoratif personnalisé

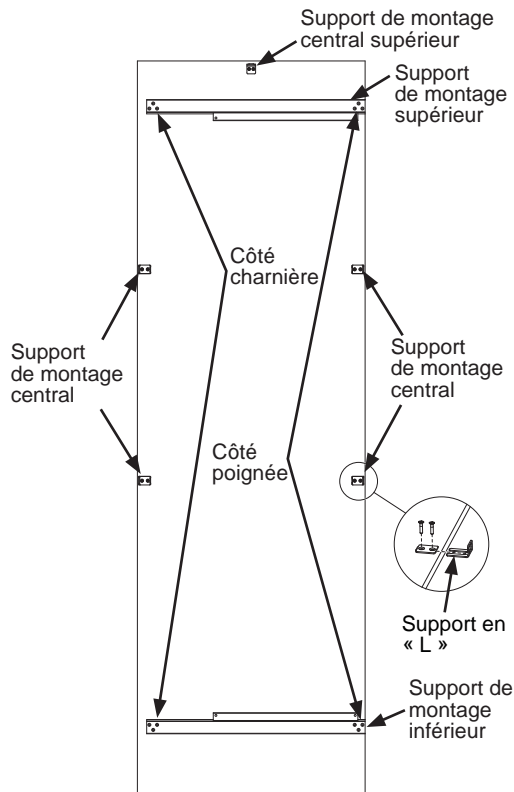
ÉTAPE 1 PRÉPARATION DU PANNEAU SUPERPOSÉ

- Vérifiez que les dimensions du panneau superposé correspondent aux recommandations pour votre modèle et que le panneau est en bon état.
- Déposez le gabarit sur le DOS du panneau, en vous assurant d'aligner le bord supérieur (ligne noire) du gabarit sur le bord supérieur du panneau. Les bords latéraux du gabarit doivent s'aligner sur le côté poignée du panneau. Fixez le gabarit sur le panneau pour qu'il ne bouge pas lors du marquage des trous. Du ruban-cache est recommandé pour fixer le gabarit, assurez-vous de l'apposer sans rides sur le panneau.

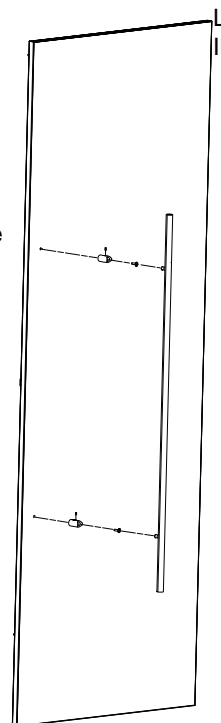


- Marquez l'emplacement des trous en tapant légèrement au centre des marques avec un pointeau les transférer sur le panneau. Il est essentiel que le gabarit ne bouge pas durant toute la durée du marquage des trous.
- Percez des trous de guidage à l'aide d'un foret de 5/64 po (assurez-vous de ne pas percer à plus de 1/2 po de profondeur).
- Installez les supports de montage supérieurs et inférieurs fournis à l'aide de vis cruciformes no 6 (12). Assurez-vous que l'extrémité découpée du support se trouve du côté charnière selon l'illustration ci-dessous. Assurez-vous aussi que les rebords des supports sont orientés vers l'autre support, comme illustré. Les vis doivent être serrées et affleurer les supports. Ne serrez pas les vis excessivement.

- Installez le supports de montage central à l'aide de 2 vis cruciformes no 6.
- Installez le support de montage central et fixez-le avec deux vis cruciformes no 2.



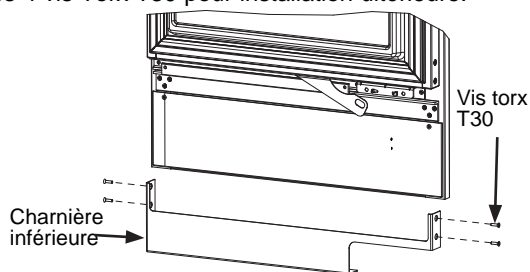
- Enlevez le support en « L » et mettez-le de côté. sera remis en place après l'installation du panneau de bois sur la porte assemblée.
- Installez la poignée (le cas échéant) en vous assurant que toute la visserie est montée en-dessous de la surface arrière du panneau.



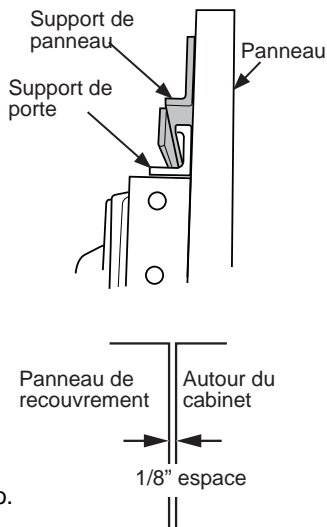
Instructions d'installation - Panneau décoratif personnalisé

ÉTAPE 2 INSTALLATION DU PANNEAU SUPERPOSÉ

- Enlevez le couvercle de charnière inférieure et conservez les 4 vis Torx T30 pour installation ultérieure.

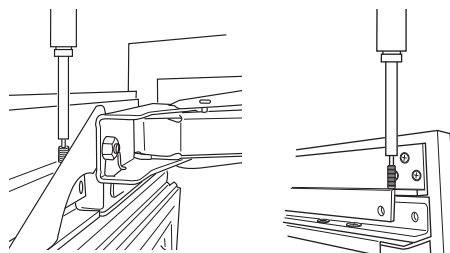


- Ouvrez la porte à 90°. Glissez le panneau sur la porte avec les supports de panneau s'emboîtant avec les supports de porte dans le haut et le bas (assurez-vous de ne pas glisser le panneau dans le contour de l'armoire). Centrez le panneau sur la porte, puis fermez la porte lentement tout en surveillant le panneau afin qu'il ne touche pas aux armoires environnantes.
- Porte complètement fermée, glissez avec précaution le panneau vers l'armoire en laissant un jeu requis de 1/8 po.

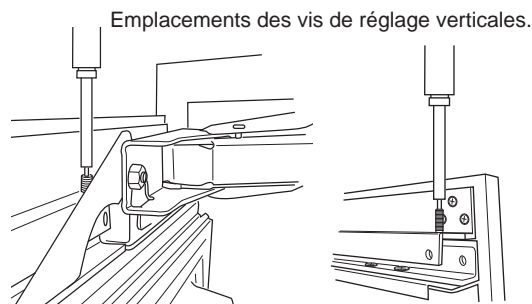


ÉTAPE 3 RÉGLAGE DU PANNEAU SUPERPOSÉ (Suite)

- Suivez les étapes suivantes pour poser les vis de réglage.
- Pour un montage affleurant, vérifiez l'espace entre le panneau et les armoires du côté poignée.
- Si le jeu dans le haut est trop grand ou inégal, utilisez les vis de réglage sur le support supérieur pour ajuster le jeu jusqu'à ce qu'il soit égal le long de toute la section verticale.

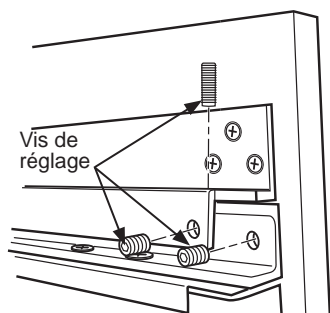


- Vérifiez l'alignement dans le haut du panneau. On peut effectuer les réglages en tournant les vis de réglage verticales (dans la même proportion) dans le haut du support de panneau (2 vis de réglage par panneau).

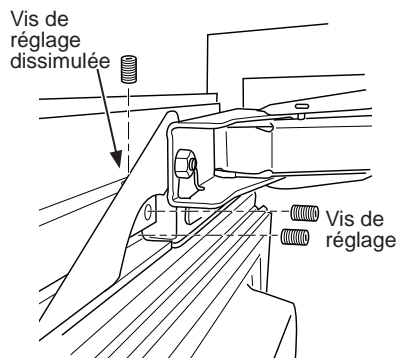


ÉTAPE 3 RÉGLAGE DU PANNEAU SUPERPOSÉ

- Les réglages de porte sont effectués à l'aide des 12 vis de réglage fournies. Chaque coin de porte comporte 3 vis de réglage. Utilisez une clé Allen 1/8 po pour poser les vis de réglage dans l'ordre prescrit.

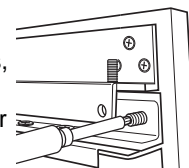


- Les vis de réglage derrière les ferrures de support supérieures et inférieures sont partiellement dissimulées.

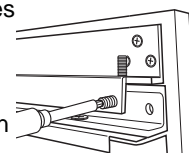


- Il est possible de régler les panneaux s'ils ne reposent pas à plat. Commencez par le réglage des coins supérieurs puis procédez vers les coins inférieurs. Chaque coin peut être réglé indépendamment.

- Si le panneau se situe trop profondément à l'intérieur des armoires, il doit être éloigné de l'appareil. Posez les vis horizontales les plus à l'extérieur dans les 4 coins et vissez jusqu'à ce que le panneau soit en position.



- Si le panneau dépasse trop des armoires environnantes, il doit se rapprocher de l'appareil. Posez les vis horizontales les plus à l'intérieur dans les 4 coins et vissez jusqu'à ce que le panneau soit en position.

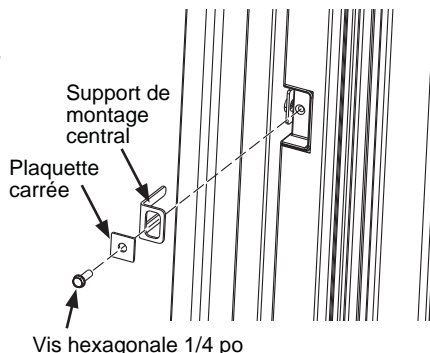


Instructions d'installation - Panneau décoratif personnalisé

ÉTAPE 3 RÉGLAGE DU PANNEAU SUPERPOSÉ (Suite)

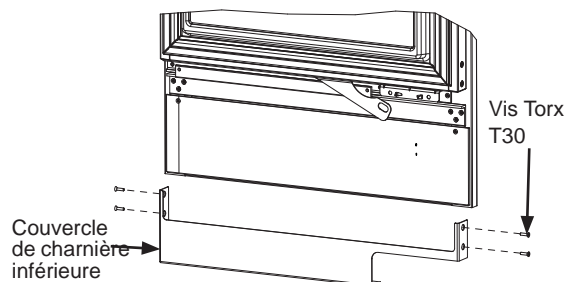
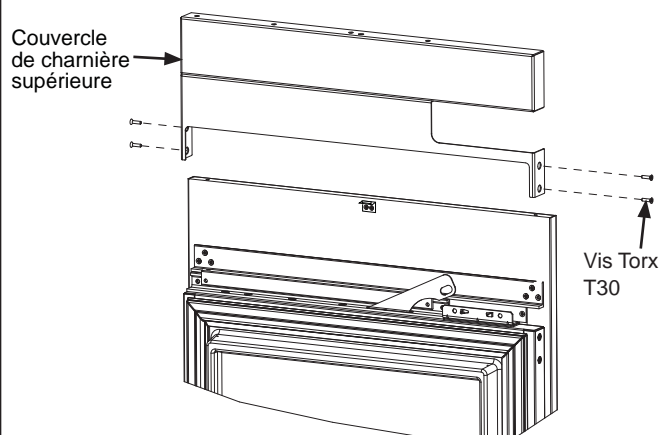
Une fois le panneau réglé à la bonne position, fixez-le en vissant et serrant d'abord les vis verticales dans le bas des supports de porte, puis vissez et serrez les vis horizontales restantes. **TOUTES LES 12 VIS DE RÉGLAGE** doivent être vissées et fermement serrées afin de fixer le panneau correctement.

- Une fois les supports de panneau de porte supérieurs et inférieurs fixés en posant et serrant toutes les 12 vis de réglage, utilisez une vis cruciforme Hi-Lo et la rondelle carrée pour fixer le support de montage central.



ÉTAPE 4 INSTALLATION DES COUVERCLES DE CHARNIÈRE

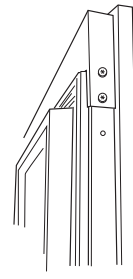
- Remplacez les couvercles de charnière supérieure et inférieure à l'aide de 4 vis Torx T30 par couvercle.



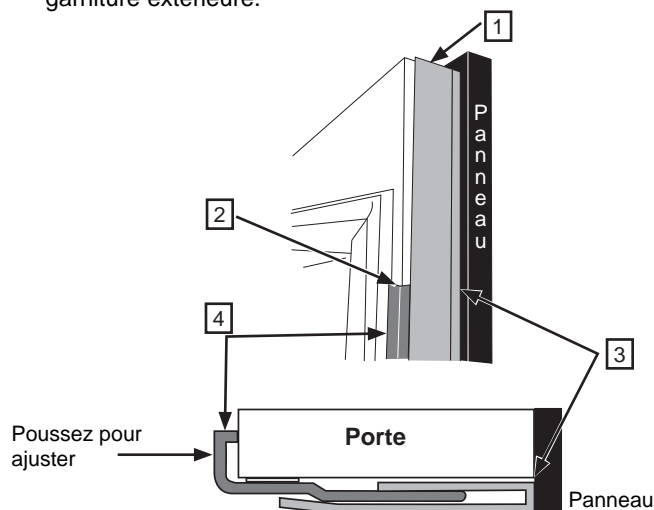
ÉTAPE 5 INSTALLATION DES GARNITURES DE PORTE

Deux (2) garnitures de porte doivent être installées. L'une pour le côté poignée et l'autre pour le côté charnière. La plus longue va du côté poignée et la plus petite, du côté charnière. Installez la garniture côté poignée en premier.

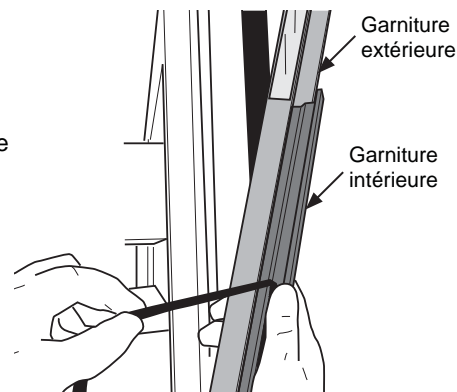
- Nettoyez le côté de la porte, y compris le côté des couvercles de charnière supérieure et inférieure, avec de l'alcool à friction afin d'améliorer l'adhésion de la garniture.
- La garniture latérale est composée d'une garniture extérieure et d'une garniture intérieure. Il faut avoir effectué les réglages avant de fixer la garniture sur le côté de la porte. Sans retirer la doublure des bandes adhésives, vérifiez que la garniture s'ajuste bien au côté de la porte.



1. Alignez le dessus de la garniture extérieure sur le dessus du panneau de porte.
2. La garniture intérieure doit se placer entre les couvercles de charnières supérieure et inférieure.
3. Assurez-vous que la garniture extérieure repose à égalité avec le dos du panneau de porte.
4. Réglez la garniture intérieure jusqu'à ce qu'elle arrive à égalité avec le dos de la porte en poussant dans la garniture extérieure.



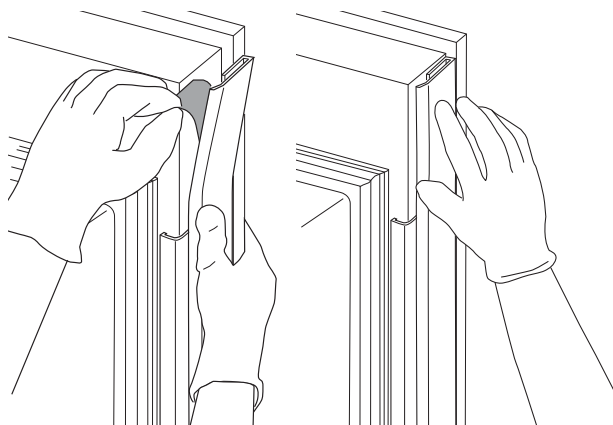
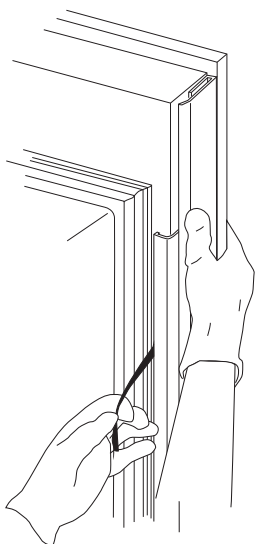
- Une fois l'ajustement vérifié, enlevez la garniture et retirez la doublure sur une longueur de 8 à 10 po du ruban adhésif de la garniture intérieure.



Instructions d'installation - Panneau décoratif personnalisé

ÉTAPE 5 INSTALLATION DES GARNITURES DE PORTE (Suite)

- Sans que le ruban adhésif exposé ne touche le côté de la porte, alignez le dessus de la garniture sur le dessus du panneau de porte. (La doublure de ruban va dépasser en alignant la garniture).
- Une fois la garniture en position (alignée sur le dessus de la porte et les couvercles de charnière, bien ajustée contre la porte et le panneau de porte), poussez sur le ruban adhésif exposé pour fixer la garniture. Tout en maintenant la garniture en place, commencez à tirer lentement la doublure de ruban en poussant pour faire adhérer le ruban jusqu'à ce que la doublure soit complètement retirée.
- Fixez les parties supérieure et inférieure de la garniture extérieure une fois la garniture intérieure fixée.
 1. Tirez délicatement le haut de la garniture extérieure à l'écart du panneau de porte afin d'exposer la doublure de ruban. Ne courbez pas trop la garniture à distance de la porte car vous pourriez l'endommager.
 2. Retirez la doublure de ruban de la garniture extérieure et pressez pour fixer la garniture.
 3. Répétez la manœuvre dans le bas de la garniture extérieure.
- Une fois la garniture du côté poignée en place, exécutez les mêmes étapes avec la garniture de porte côté charnière.



Notes

REMARQUE : Des lunettes de protection doivent être portées lors de la réalisation des installations décrites dans ce manuel.

REMARQUE : L'amélioration des produits fait l'objet d'un effort constant chez Monogram. Par conséquent, le matériel, l'aspect et les caractéristiques des produits sont susceptibles d'être modifiés sans préavis.



MONOGRAM



INSTRUCCIONE DE INSTALACIÓN

Freezers de Columna Incorporada de 18", 24" y 30"
Refrigeradores de Columna Incorporada de 24" y 30"

ESPAÑOL.

Información sobre Seguridad

ANTES DE COMENZAR

Lea estas instrucciones en su totalidad y atentamente.

- **IMPORTANTE** – Conserve estas instrucciones para uso del inspector local. Cumpla con todos los códigos y ordenanzas gubernamentales.
- **Nota para el Instalador** – Asegúrese de que el Comprador conserve estas instrucciones.
- **Nota para el Consumidor** – Guarde estas instrucciones con su Manual del Propietario para referencia futura.

Si la unidad que recibió está dañada, se deberá comunicar de inmediato con su vendedor o fabricante.

Nivel de habilidad – La instalación de esta unidad requiere un nivel básico de habilidades mecánicas, de carpintería y plomería. La correcta instalación del producto es responsabilidad del instalador. Si se producen fallas en el producto debido a una instalación inadecuada, la Garantía de Monogram no cubrirá las mismas. Para obtener información sobre la garantía, consulte el Manual del Propietario.

⚠ ADVERTENCIA **Riesgo de Descarga Eléctrica**

Enchufe en un tomacorriente con conexión a tierra de 3 cables.

No elimine el cable de conexión a tierra.

No use un adaptador.

Inmediatamente interrumpa el uso de un cable de suministro de corriente dañado. Si el cable de corriente se encuentra dañado, su reemplazo deberá ser realizado por un profesional calificado del servicio técnico, utilizando una pieza del servicio técnico autorizada por el fabricante.

No use un prolongador con este electrodoméstico. Si no se siguen estas instrucciones, se podrá producir la muerte, incendios o descargas eléctricas.

Siga las instrucciones que figuran en la sección de Conexión de tierra de la unidad.

Este electrodoméstico deberá ser instalado por algún medio en el cableado fijo del hogar o en un disyuntor para desconectar el electrodoméstico del suministro eléctrico luego de la instalación.

⚠ ADVERTENCIA **Riesgo de Caídas**

Estos electrodomésticos son inestables, especialmente cuando una puerta se encuentre abierta, y deben estar asegurados a fin de evitar caídas hacia adelante que podrían resultar en la muerte o en lesiones graves. Lea y siga las instrucciones de instalación en su totalidad para asegurar el electrodoméstico con el sistema anti volcaduras.

⚠ ADVERTENCIA **Riesgo de Incendio o Explosión.**

Mantenga cualquier material y vapores inflamables alejados del electrodoméstico. Si no se cumple con esto, se podrá producir una explosión, incendio o la muerte.

⚠ ADVERTENCIA

A fin de reducir el riesgo asociado con descargas, no permita que los niños menores de 3 años de edad tengan acceso a las partes pequeñas durante la instalación de este producto.

⚠ PRECAUCIÓN **Riesgo al levantar la puerta**

Esta unidad es muy pesada. A fin de reducir el riesgo de lesión de una persona al maniobrar e instalar este electrodoméstico, se requiere contar con 3 personas para una correcta instalación.

⚠ PRECAUCIÓN

Mantenga los dedos fuera de los espacios de “riesgo de lastimaduras”; los espacios entre las puertas y entre las puertas y el gabinete son necesariamente pequeños. Tenga la precaución de cerrar las puertas cuando los niños se encuentren en el área.

Para acceder al servicio local de Monogram en su área, visite monogram.com o 800.444.1845.

Para acceder al servicio de Monogram en Canadá, visite monogram.ca o 800.561.3344.

Para acceder a Piezas y Accesorios de Monogram, visite monogram.com o 800.444.1845..

Para Piezas y Accesorios de Monogram en Canadá, visite monogram.ca o 800.661.1616.

Contenidos

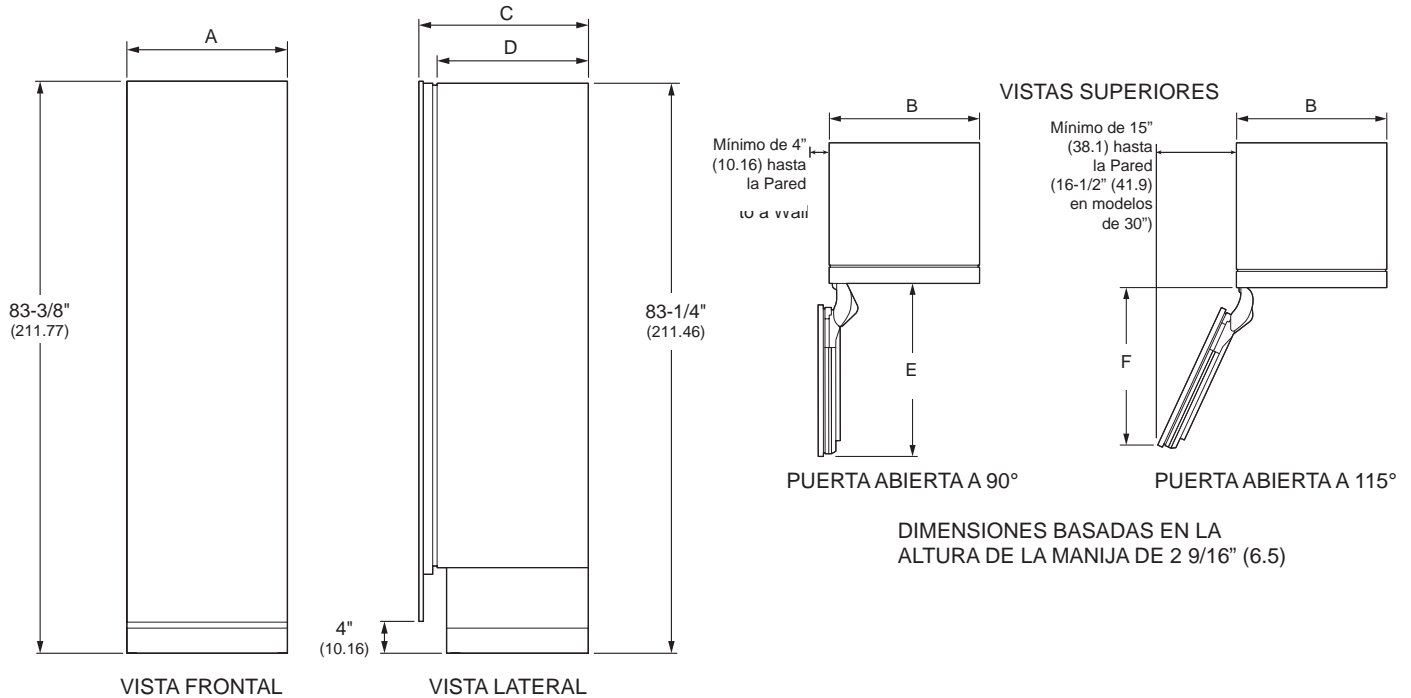
Seguridad	2	Instrucciones para una Instalación Integrada Simple	38
Guía de Diseño		El Espacio de Instalación	39
Dimensiones y Espacios Libres 4	4	Herramientas, Equipamiento, Materiales	40
Accesorios/ Kits	5	Conexión a Tierra de la Unidad	40
Inversión de la Apertura de Puerta	6	Tipos de Piso	40
Paso 1. Retire la Puerta	7	Paso 1. Retire el Embalaje	41
Paso 2. Retire la Carcasa Superior	7	Paso 2. Instale el Suministro de Agua	41
Paso 3. Mueva el Ensemble del Control	8	Paso 3. Prepare la Unidad para la Instalación	42
Paso 4. Hale la Carcasa del Interruptor de Luz	8	Paso 4. Instale el Soporte Anti	42
Paso 5. Reinstale los Soportes de las Bisagras	9	Paso 5. Conexión del Suministro de Agua	42
Paso 6. Reinstale la Carcasa	9	Paso 6. Inserción/ Ajuste del Borde del Gabinete	43
Paso 7. Reinstale la Tapa de Acceso Frontal	10	Paso 7. Nivele la Unidad	44
Paso 8. Retire las Bisagras de la Puerta	10	Paso 8. Preparación Final de la Unidad Externa	44
Paso 9. Soportes y Bisagras del Panel	11	Paso 9. Preparación de la Unidad Interna	45
Paso 10. Reinstale la Puerta	11	Paso 10. Encienda la Máquina de Hielos	45
Instrucciones para una Instalación Integrada Dual	12	Paso 11. Instale el Ensemble de la Jarra de Llenado Automático	46
El Espacio de Instalación	13	Instalación del Panel de la Puerta de Acero Inoxidable	47
Herramientas, Hardware, Materiales	14	Paso 1. Instale el Panel de Acero Inoxidable	48
Conexión a Tierra de la Unidad	15	Paso 2. Ajuste el Panel de Acero Inoxidable	49
Tipos de Piso	15	Paso 3. Instale las Tapas de las Bisagras	49
Paso 1. Retire el Embalaje	15	Paso 4. Instale los Marcos de la Puerta	50
Paso 2. Instale el Suministro de Agua	16	Instalación a Medida del Panel de la Puerta Revestida	51
Paso 3. Preparación de la Unidad para la Instalación	16	Guía de Diseño de la Manija Revestida	52
Paso 4. Instale el Soporte Antivolcaduras	17	Dimensiones del Panel Decorativo a Medida de ¾"	52
Paso 5. Unión de las Unidades Duales Instaladas	18	Paso 1. Preparación del Panel Revestido	53
Paso 6. Conexión del Suministro de Agua	19	Paso 2. Instale el Panel Revestido	54
Paso 7. Inserción/ Ajuste del Borde del Gabinete	19	Paso 3. Ajuste el Panel Revestido	54
Paso 8. Nivele la Unidad	20	Paso 4. Instale las Tapas de las Bisagras	55
Paso 9. Preparación Final de la Unidad Externa	21	Paso 5. Instale las Molduras de la Puerta	55
Paso 10. Preparación de la Unidad Interna	22		
Paso 11. Encienda la Máquina de Hielos r	22		
Paso 12. Instale el Ensemble de la Jarra de Llenado Automático	23		
Instrucciones para la Instalación Dual Actualizada	24		
El Espacio de Instalación	25		
Herramientas, Hardware, Materiales	26		
Conexión a Tierra de la Unidad	26		
Tipos de Piso	26		
Paso 1. Retire el Embalaje	27		
Paso 2. Instale el Suministro de Agua	27		
Paso 3. Prepare la Unidad para la Instalación	28		
Paso 4. Instale el Soporte Anti volcaduras	29		
Paso 5. Unión de las Unidades Duales Instaladas	30		
Paso 6. Conexión del Suministro de Agua	32		
Paso 7. Inserción/ Ajuste del Borde del Gabinete	33		
Paso 8. Nivele la Unidad	34		
Paso 9. Preparación Final de la Unidad Externa	34		
Paso 10. Preparación de la Unidad Interna	36		
Paso 11. Encienda la Máquina de Hielos	36		
Paso 12. Instale el Ensemble de la Jarra de Llenado Automático	37		

Guía de Diseño

DIMENSIONES Y ESPACIOS LIBRES

Las dimensiones que aparecen entre paréntesis están expresadas en centímetros..

Dimensiones Totales



Dimensiones		Modelos de 18"	Modelos de 24"	Modelos de 30"
A	Ancho Total - Frente	17-1/2" (44.5 cm)	23-1/2" (59.7 cm)	29-1/2" (74.9 cm)
B	Ancho Total – Parte Trasera	17-1/4" (43.8 cm)	23-1/4" (59.1 cm)	29-1/4" (74.3 cm)
C	Profundidad Total	24-3/4" (62.9 cm)	24-3/4" (62.9 cm)	24-3/4" (62.9 cm)
D	Profundidad de la Caja	22-1/16" (56 cm)	22-1/16" (56 cm)	22-1/16" (56 cm)
E	Espacio Libre con la Puerta a 90°	21-1/4" (53.9 cm)	27-1/4" (62.9 cm)	33-1/4" (84.5 cm)
F	Espacio Libre con la Puerta a 115°	19-1/16" (48.4 cm)	24-1/2" (62.2 cm)	29-15/16" (76.0 cm)
	Ancho del Recorte	17-13/16" (45.3 cm)	23-13/16" (60.5 cm)	29-13/16" (75.7 cm)
	Altura del Recorte	84" (213.4 cm)	84" (213.4 cm)	84" (213.4 cm)
	Profundidad del Recorte	25" (63.5 cm)	25" (63.5 cm)	25" (63.5 cm)
	Peso	370 lbs (167.8 kg)	460 lbs (208.7 kg) (Refrigeradora) 430 lbs. (195.0 kg) (Freezer)	495 lbs (224.5 kg) (Refrigeradora) 475 lbs. (215.5 kg) (Freezer)

Altura del embalaje.

El producto puede ser ajustado para hacerlo caber en un espacio de 84" (213.36 cm). Use las patas niveladoras y las ruedas para un ajuste de altura máxima de 1" (2.54 cm).

Espacios Libres del Producto

Estas unidades están equipadas con un dispositivo de detención de la puerta de 2 posiciones. El giro de la puerta de 115° original de fábrica se podrá ajustar a 90° si el espacio libre hasta los gabinetes adyacentes o paredes es restringido.

Para un giro de puerta de 90°, deje un espacio libre mínimo de 4" (10.2 cm) hasta una pared.

Cuando se instale en una esquina, deje 15" (38.1 cm) para una apertura de puerta completa de 115° en los modelos de 18" y 24". Deje 16 9/16" (42.07 cm) en los modelos de 30".

Guía de Diseño

Los refrigeradores y freezers de columna Monogram pueden ser instalados en muchas configuraciones con diferentes situaciones de instalación. Tres situaciones de instalación serán explicadas con instrucciones de inversión de puertas y dos opciones de instalación del panel de la puerta.

Inversión de la Apertura de la Puerta (todos los tipos de instalación)

Cómo hacer que un refrigerador tenga una apertura hacia la izquierda y el freezer hacia la derecha. DEBE ser realizados ANTES de que la unidad sea retirada de la superficie antideslizante.

Instrucciones para una Instalación Integrada Dual

Instalación en una construcción nueva con aberturas de 25" de profundidad

Instrucciones para una Instalación Dual Antigua

Instalación de la construcción existente (recortes existentes) con aberturas de una profundidad de 24" que poseen un ancho de 41 1/2" o 47 1/2"

Instrucciones para una Instalación Integrada Simple

Instalación en una construcción nueva con aberturas de 25" de profundidad

Instrucciones para la Instalación de un Panel de Puerta de Acero Inoxidable (todos los tipos de instalación)

Instalación de Kits de Paneles de Puerta de Acero Inoxidable

Instrucciones para la Instalación a medida de un Panel de Puerta Revestida (todos los tipos de instalación)

Instalación de Paneles Decorativos a Medida

ACCESSORIES/KITS

- Kit de Unificación del Calentador **ZKUN**
- Tubería de Agua de 8 Pies **WX08X10006**
- Kit de Bordes Antiguo de 42" **ZKR42N**
- Kit de Bordes Antiguo de 48" **ZKR48N**
- Kits de Paneles de Puerta de Acero Inoxidable

- Zócalos de Acero Inoxidable para Instalaciones Dobles

42"	ZKK42P
48"	ZKK48P
54"	ZKK54P
60"	ZKK60P

ZK1SN189NLH	Panel de la Puerta de Acero Inoxidable del Lado Izquierdo de 18"
ZK1SN184NRH	Panel de la Puerta de Acero Inoxidable del Lado Derecho de 18"
ZK1SN249NLH	Panel de la Puerta de Acero Inoxidable del Lado Izquierdo de 24"
ZK1SN244NRH	Panel de la Puerta de Acero Inoxidable del Lado Derecho de 24"
ZK1SN309NLH	Panel de la Puerta de Acero Inoxidable del Lado Izquierdo de 30"
ZK1SN304NRH	Panel de la Puerta de Acero Inoxidable del Lado Derecho de 30"
ZKSP1H1CNSS	Manija Minimalista para Paneles de Acero Inoxidable Únicamente
ZKSP1H1PNSS	Manija Statement para Paneles de Acero Inoxidable Únicamente

Inversión de la Apertura de la Puerta

Este paso puede ser realizado para todos los tipos de instalación.

Instrucciones de Instalación – Inversión de la Apertura de la Puerta

⚠ ADVERTENCIA

Siga todos los pasos al invertir la dirección de la apertura de la puerta. Si no se siguen estas instrucciones, dejando piezas sin uso o ajustando tornillos en exceso, esto podrá hacer que la puerta se caiga y producir lesiones y daños sobre la propiedad.

- Si la instalación requerirá que la apertura de la puerta sea invertida, siga estas instrucciones para invertir la apertura de la puerta ANTES de que la unidad sea retirada de la superficie antideslizante.
- Las instrucciones para invertir un refrigerador con apertura del lado derecho figuran en los siguientes pasos.

⚠ ADVERTENCIA



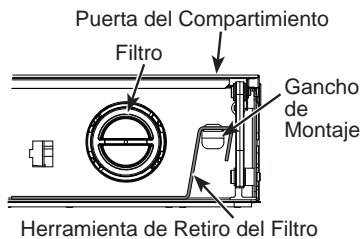
Riesgo de Caídas

Este electrodoméstico es inestable, especialmente cuando una puerta se encuentre abierta, y deberá estar asegurado a fin de evitar caídas hacia adelante que puedan resultar en la muerte o en lesiones graves.

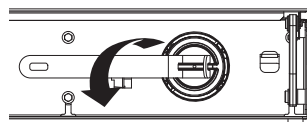
PASO 1 RETIRE LA CARCASA

SUPERIOR

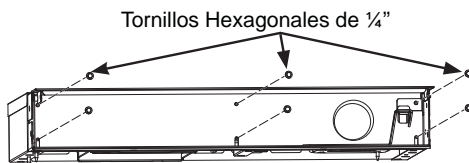
- Abra la tapa frontal de la carcasa a 90°. Ubique el filtro y la herramienta de retiro del filtro. El filtro deberá aparecer como se muestra.



- Dé al filtro ¼ de giro en sentido antihorario (si es necesario, use la herramienta de retiro del filtro).

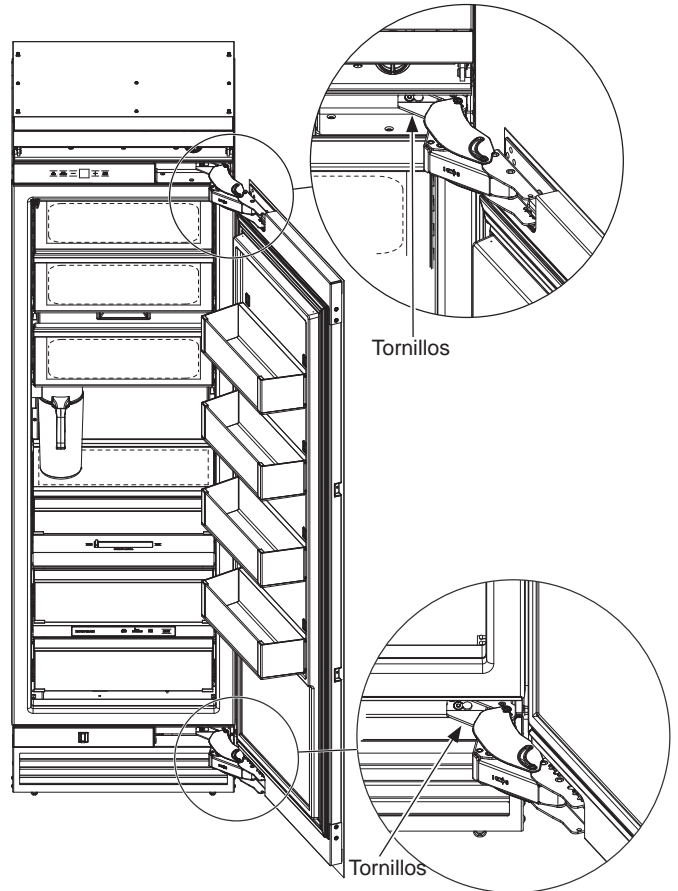


- Empuje el filtro hacia usted para retirar el mismo. **NOTA:** El sistema de agua no funcionará si el filtro no está ubicado en su posición.
- Retire los 6 tornillos que aseguran desde la carcasa frontal hasta la carcasa superior.



PASO 2 RETIRE LA PUERTA

- Abra la puerta hasta la posición de apertura completa.
- Solicite a una segunda persona que mantenga la puerta abierta.
- Retire los 2 tornillos T30 Torx asegurando la bisagra inferior de la carcasa.



- Retire los 2 tornillos Torx T30 asegurando la bisagra superior de la caja.
- Coloque la puerta en una superficie de trabajo protegida (para evitar rayaduras), con el lado del revestimiento hacia abajo.

AVISO: Las bisagras de la puerta permanecerán en la posición abierta durante el procedimiento de inversión de la puerta.

⚠ ADVERTENCIA



Riesgo de

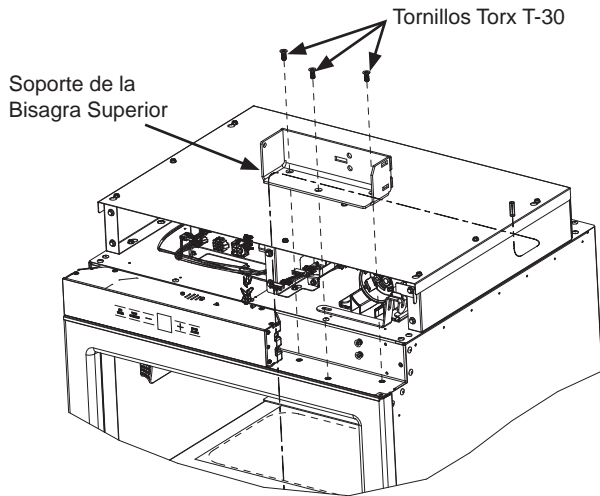
Lastimaduras con la Bisagra de la Puerta

Las bisagras de la puerta se encuentran bajo tensión y se deberán dejar en la posición abierta, a través del proceso de inversión. Cerrar la bisagra podrá producir un riesgo de lastimadura de dedos.

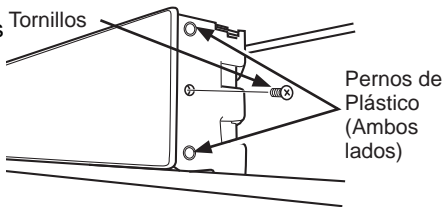
Instrucciones de Instalación – Inversión de la Apertura de la Puerta

PASO 3 MUEVA EL ENSAMBLE DEL CONTROL

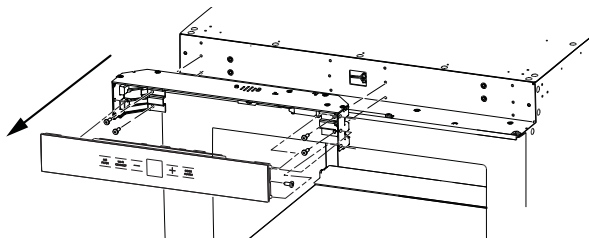
- Retire los soportes de la bisagra superior, quitando los tres tornillos Torx T-30.



- Retire el tornillo con cabeza Phillips del medio de la carcasa del lado de la bisagra.

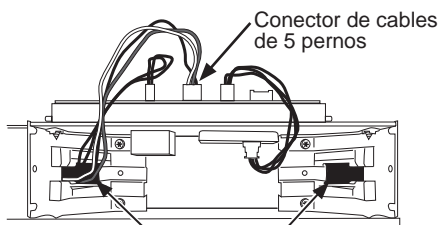


- Inserte un destornillador de cabeza plana o una espátula entre el frente de vidrio y el lado de plástico y libere el ensamblaje del control haciendo palanca sobre los pernos de plástico del lado de los agujeros del soporte.



- Coloque el ensamblaje de vidrio sobre la carcasa del control.
- Retire los 4 tornillos, 2 en cada extremo, para retirar el ensamblaje de la carcasa usando una broca 1/4" hex bit.
- Mueva el ensamblaje de la carcasa al lado opuesto e instale el mismo usando 4 tornillos, 2 en cada lado

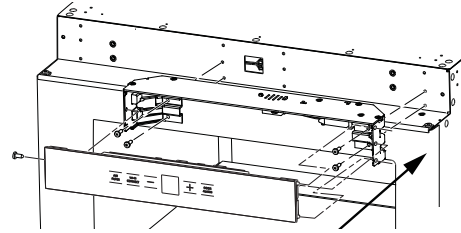
NOTA: Asegúrese de que los cables no sean pellizcados. En los modelos de 18", el conector de cables rojo/ blanco/ negro de 5 clavijas deberá ser retirado del tablero de control y pasado a través del soporte de la esquina opuesta y reconectado al tablero de control, a fin de evitar que el cable sea pellizcado.



Los cables deberán volver a ser pasados de un lado al otro en los modelos de 18".

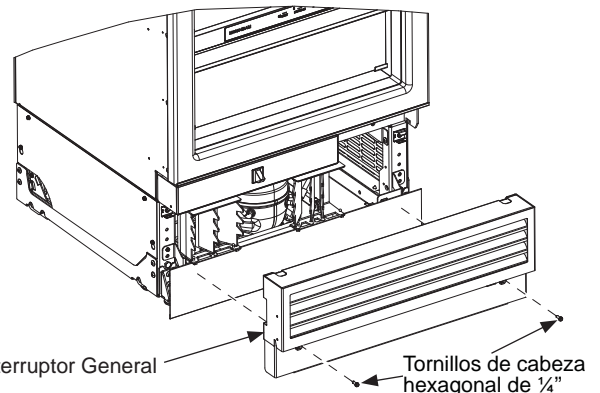
PASO 3 MUEVA EL ENSAMBLE DEL CONTROL

- Vuelva a presionar el ensamblaje de vidrio sobre el ensamblaje de la carcasa de control, asegurando que los pernos de plástico sean presionados en los agujeros del lado de la carcasa.

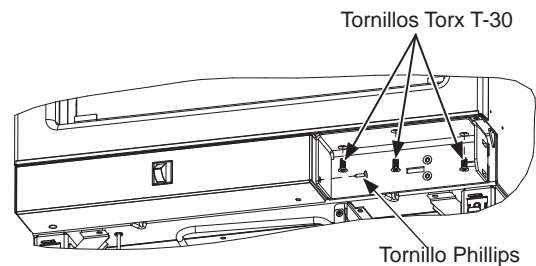


PASO 4 MUEVA LA CARCASA DEL INTERRUPTOR DE LUZ

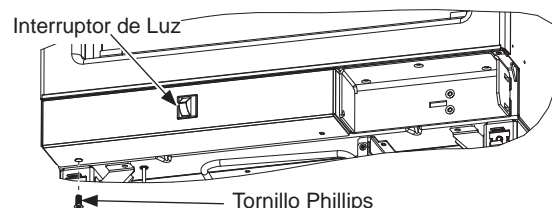
- Retire la tapa de acceso frontal de la unidad, retirando los 2 tornillos de cabeza hexagonal de 1/4".



- Retire el tornillo Phillips primero y los soportes de la bisagra inferior retirando los tres tornillos Torx T-30.



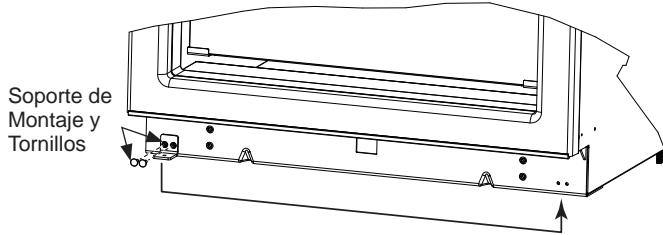
- Retire el tornillo con la broca hexagonal de 1/4" en la esquina inferior de la carcasa del interruptor de luz.



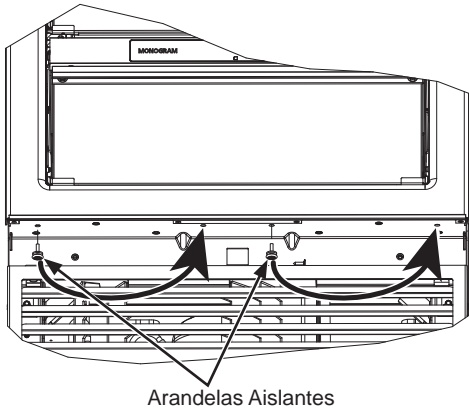
Instrucciones de Instalación – Inversión de la Apertura de la Puerta

PASO 4 MUEVA LA CARCASA DEL INTERRUPTOR DE LUZ (Cont.)

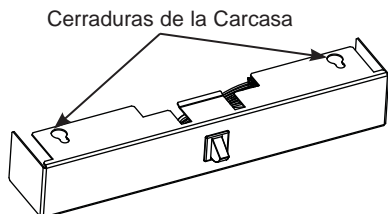
- Mueva el soporte de montaje hasta el otro lado de la unidad, retirando los dos tornillos Phillips y usando los mismos para instalar el soporte en su nueva ubicación.



- Deslice la carcasa hacia adelante y abajo para retirar la misma de la caja y de las arandelas aislantes en la parte inferior de la caja.
- Manteniendo la conexión a la unidad, deje la carcasa a un costado.



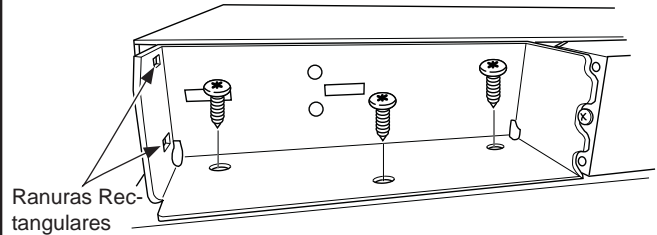
- Retire las 2 arandelas aislantes con un destornillador Phillips.
- Mueva las arandelas aislantes al conjunto de 2 agujeros del lado opuesto.
- Alinee los agujeros de la llave de la carcasa sobre las arandelas aislantes y luego vuelva a deslizarla hasta que quede posicionada. Asegúrese de que los cables no sean pellizcados.



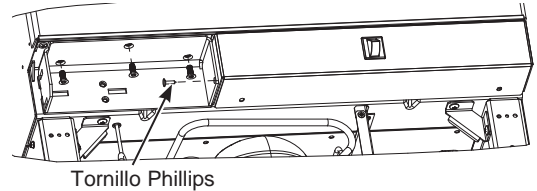
- Instale el tornillo Phillips en el agujero inferior para mantenerla en su posición.

PASO 5 REINSTALE LOS SOPORTES DE BISAGRA

- Mueva el soporte de bisagra superior hasta la parte inferior y el soporte inferior a la parte superior.
- Asegúrese de que las 2 ranuras rectangulares del soporte estén del lado exterior de la bisagra de la caja.

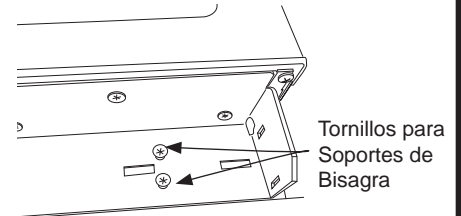


- Instale ambos soportes con 3 tornillos Torx T-30 de 45 libras/pulg (5.1 Nm).



- Instale el tornillo Phillips.

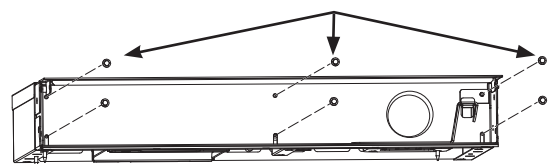
- Comience a colocar 2 tornillos en cada soporte para el montaje de la bisagra, pero no los ajuste completamente.



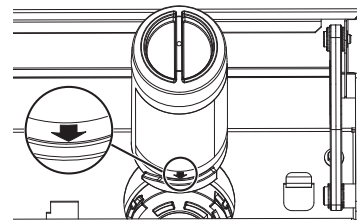
PASO 6 REINSTALE LA CARCASA

- Instale el ensamble de la carcasa con los seis tornillos de cabeza hexagonal de 1/4" que había retirado.

Vis à tête hexagonale 1/4 po



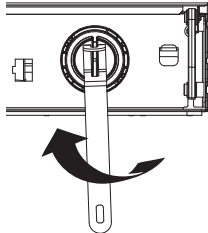
- Ubique la flecha azul del filtro. Gire el filtro para alinear la flecha como se muestra.



Instrucciones de Instalación – Inversión de la Apertura de la Puerta

PASO 6 REINSTALE LA CARCASA (cont.)

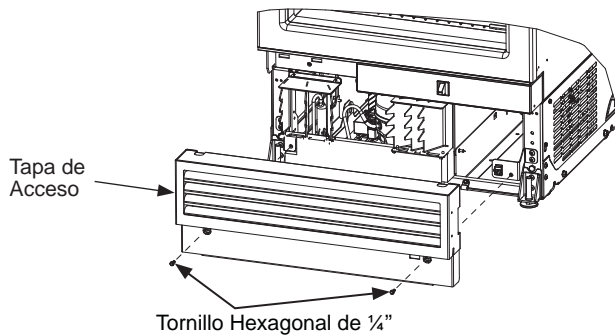
- Ubique la flecha azul del filtro. Gire el filtro para alinear la flecha como se muestra.
- Inserte el filtro en su posición y dé al mismo $\frac{1}{4}$ de giro en sentido horario (si es necesario, use la herramienta de retiro del filtro).



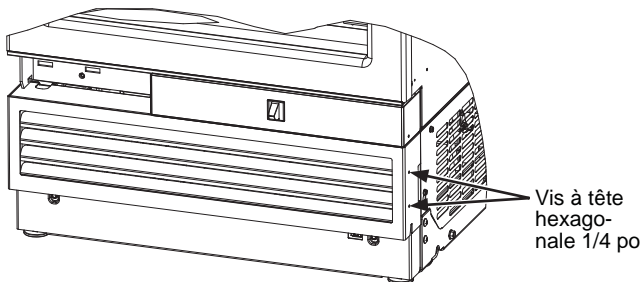
- Vuelva a colocar la herramienta de retiro del filtro en el gancho de montaje.
- Cierre la puerta del compartimiento.

PASO 7 REINSTALE LA TAPA DE ACCESO FRONTAL

- Vuelva a colocar la tapa de acceso en la unidad y asegure la misma con dos tornillos de cabeza hexagonal de $\frac{1}{4}$.



- Verifique que los dos tornillos con cabeza hexagonal de $\frac{1}{4}$ " se encuentren ensamblados a los costados de las manijas de los productos, tanto de las columnas de comidas frescas como del freezer.



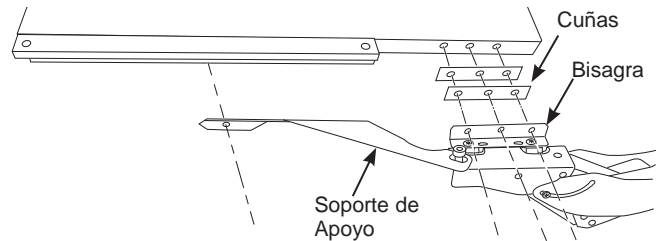
PASO 8 RETIRE LAS BISAGRAS DE LA PUERTA

⚠ ADVERTENCIA Riesgo de

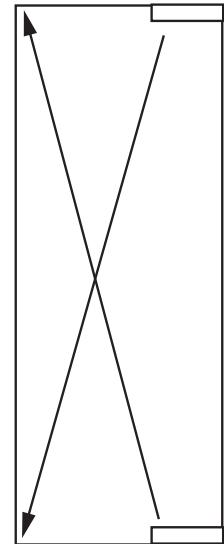
Lastimadura con la Bisagra de la Puerta

Las bisagras de la puerta se encuentran bajo tensión y se deberán dejar en la posición abierta, a través del proceso de inversión. Cerrar la bisagra podrá producir un riesgo de lastimadura de dedos.

- Retire los 3 tornillos que aseguran cada bisagra desde la parte superior e inferior de la puerta y el tornillo que asegura el soporte de apoyo de la puerta (Torx T-30).



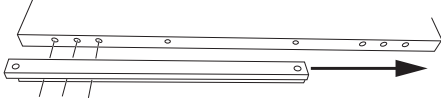
- Mueva el ensamble de la bisagra hasta el extremo opuesto de la puerta – desde la bisagra superior a la inferior y desde la bisagra inferior a la superior. La bisagra, el soporte en L que ya está adherido a la bisagra, y el soporte de apoyo se moverán todos juntos.
- 22 cuñas entre el soporte de la bisagra y la puerta se moverán hasta el otro lado – guarde las mismas para la instalación de la bisagra.



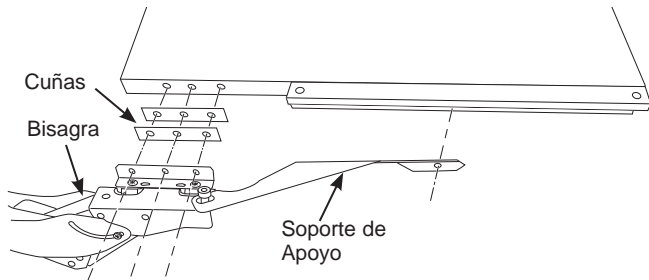
Instrucciones de Instalación – Inversión de la Apertura de la Puerta

PASO 9 SOPORTES Y BISAGRAS DEL PANEL

- Retire los soportes del panel en cada extremo de la puerta, retirando los tornillos Torx T30.



- Deslice el mismo soporte en cada extremo hasta el otro lado de la puerta y vuelva a instalar los soportes a la puerta.
- Instale las bisagras a la puerta, asegurando que las 2 cuñas se encuentren entre el soporte en L de la bisagra y la puerta. Realice la instalación con 3 tornillos Torx T-30 de 45 libras/pulg (5.1 Nm).



NOTA: Asegúrese de que el soporte en L permanezca adherido a la bisagra y que se encuentre del lado exterior de la puerta. La bisagra se encuentra del lado interior de la puerta.

RECORDATORIO: Las bisagras deben ser movidas de la parte superior a la inferior y de la parte inferior a la superior.

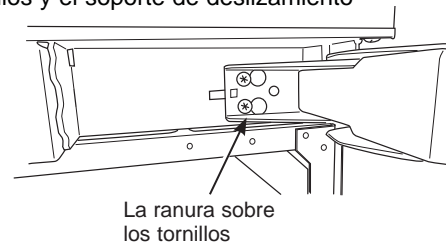
- Instale el tornillo de soporte de apoyo a través tanto del soporte de apoyo como del soporte del panel.

PASO 10 REINSTALE LA PUERTA

⚠ ADVERTENCIA

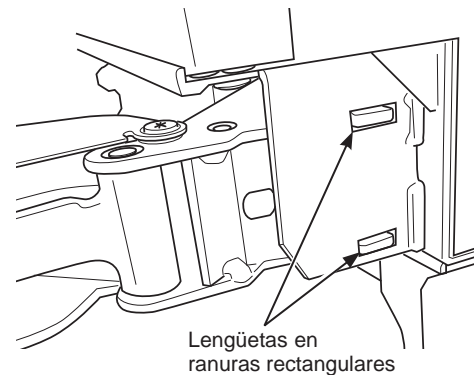
Siga todos los pasos al invertir la dirección de apertura de la puerta. Si no se siguen estas instrucciones, dejando piezas sin uso o ajustando tornillos en exceso, esto podrá hacer que la puerta se caiga y producir lesiones y daños sobre la propiedad.

- Asegúrese de haber comenzado a instalar los 2 tornillos de las bisagras, pero que no estén completamente ajustados en los soportes de bisagra de la caja.
- Con una segunda persona, sostenga la puerta con las bisagras cerca de la posición correcta.
- Instale las bisagras superiores con la cerradura sobre los tornillos y el soporte de deslizamiento



- Repita este procedimiento en la parte inferior.

NOTA: Asegúrese de que las 2 lengüetas sobre las bisagras se encuentren insertadas en las ranuras rectangulares, en la parte externa de los soportes de las bisagras, ANTES de ajustar los tornillos.



- Ajuste los tornillos inferiores 45 libras/pulg (5.1 Nm).
- Ajuste los tornillos superiores 45 libras/pulg (5.1 Nm).
- Con cuidado asegúrese de que la puerta se cierre correctamente y que la junta esté alineada con la caja.

Instrucciones para una Instalación Integrada Dual

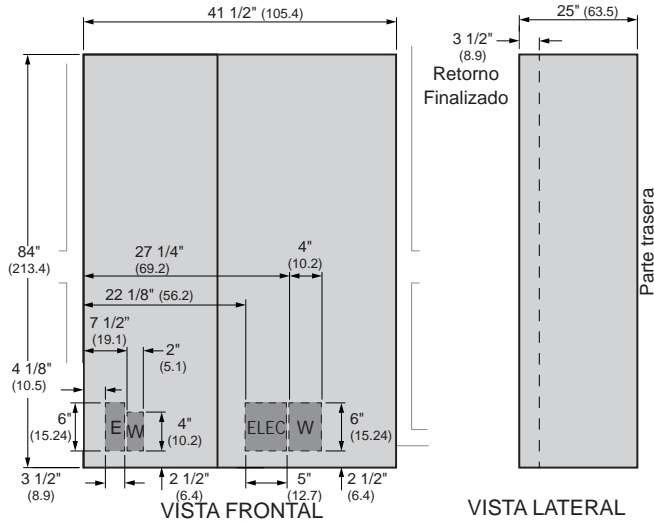
**Instalación en una construcción nueva con aberturas de 25”
de profundidad**

Guía de Diseño – Instalación Integrada Dual

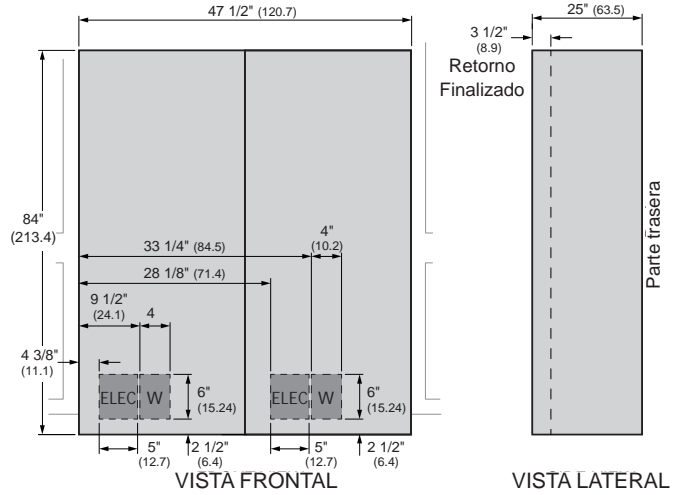
ESPACIO DE INSTALACIÓN INTEGRADO DUAL

Las dimensiones que aparecen entre paréntesis están expresadas en centímetros.

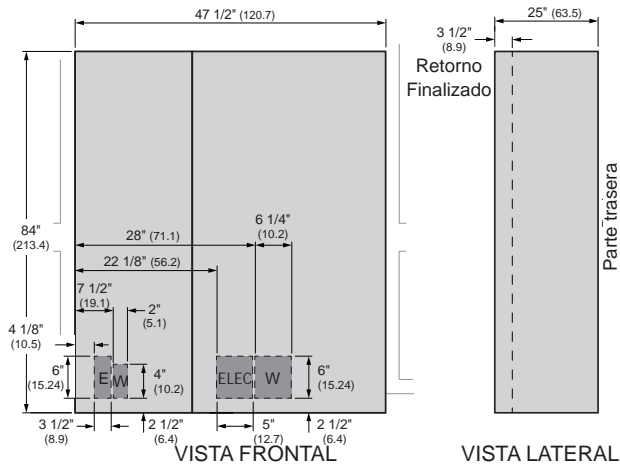
Freezer Integrado de 18" Refrigerador Integrado de 24"



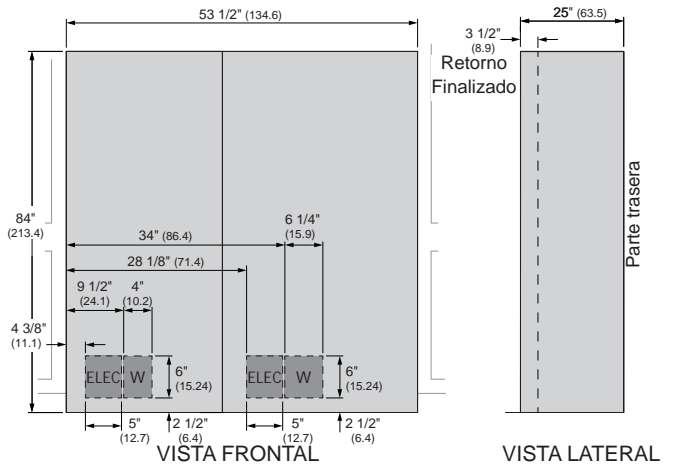
Freezer Integrado de 24" Refrigerador Integrado de 24"



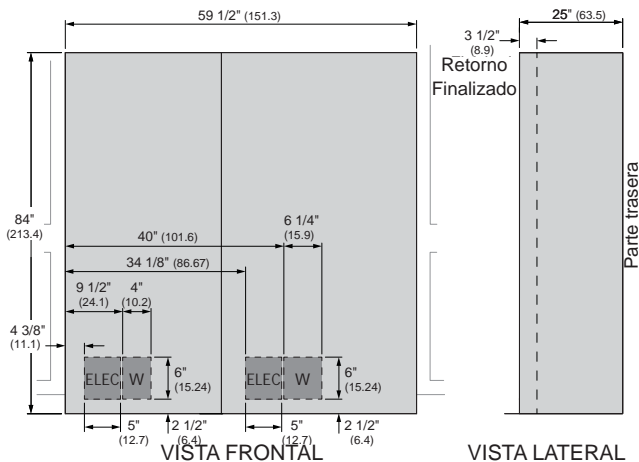
Freezer Integrado de 18" Refrigerador Integrado de 30"



Freezer Integrado de 24" Refrigerador Integrado de 30"



Freezer Integrado de 30" Refrigerador Integrado de 30"



Guía de Diseño – Instalación Integrada Dual

ESPACIO DE INSTALACIÓN INTEGRADO DUAL

Ubicaciones de Agua y Electricidad

Los suministros eléctricos y de agua deberán ser ubicados como se muestra.

La Profundidad del Recorte Deberá Ser de 25"

El recorte está basado en la instalación de 2 productos con apertura de puerta hacia la izquierda y hacia la derecha.

Kit ZKUN de Unificación de Calefacción requerido.

Espacios Libres del Producto

Estas unidades están equipadas con un dispositivo de detención de la puerta de 2 posiciones. El giro de la puerta de 115° original de fábrica se podrá ajustar a 90° si el espacio libre hasta los gabinetes adyacentes o paredes es restringido.

Para un giro de puerta de 90°, deje un espacio libre mínimo de 4" (10.2 cm) hasta una pared.

Cuando se instale en una esquina, deje 15" (38.1 cm) para una apertura de puerta completa de 115° en los modelos de 18" y 24". Deje 16 1/2" (41.9 cm) en los modelos de 30".

Especificaciones adicionales

- Se requiere un suministro de corriente aparte de 115 voltios, 60Hz., y 15 o 20 amperes para cada producto. Se recomienda el uso de un circuito individual derivado o un disyuntor correctamente conectado a tierra. Instale un receptáculo eléctrico de 3 patas correctamente conectado a tierra en la pared trasera. El receptáculo eléctrico deberá estar ubicado en la pared trasera como se muestra.
- La tubería de agua deberá estar ubicada en la pared trasera, como se muestra. La tubería de agua deberá ser de cobre y tener un diámetro externo de 1/4" o ser del kit QuickConnect™ (WX08X10006) entre la tubería de agua fría y la ubicación de la conexión de agua, siendo lo suficientemente larga como para alcanzar el frente de la unidad (8' [2.4m]). Se requiere la instalación de una válvula de cierre fácilmente accesible en la tubería de agua.
- Se recomienda un retorno finalizado mínimo de 3 1/2" que coincida con el gabinete exterior en la parte interna sobre todos los laterales y la parte superior del frente de la abertura.

UBICACIÓN DEL REFRIGERADOR/ FREEZER

- No instale el refrigerador/ freezer en lugares donde la temperatura sea inferior a los 55°F (13°C). Éste no funcionará con la frecuencia suficiente como para mantener las temperaturas apropiadas.
- No instale el refrigerador/ freezer en lugares donde la temperatura sea superior a los 100°F (37°C). Éste no funcionará correctamente.
- No instale el refrigerador/ freezer en una ubicación expuesta al agua (lluvia, etc.) o en contacto directo con la luz solar.
- Instale el mismo en un piso lo suficientemente fuerte como para soportarlo completamente cargado.

MATERIALES SUMINISTRADOS (por unidad)

- Enchufe del Bypass del Filtro de Agua (si está equipado con el mismo)
- Filtro de Aire (Si está equipado con el mismo)
- Soporte Anti volcaduras
- 3 Tornillos tirafondos
- 3 Tornillos Tapcon
- 3 Tornillos con resorte
- Plantillas de instalación del panel
- 2 Molduras de puerta
- 2 Soportes de paneles de puerta
- Conjuntos de tornillos
- #Tornillos de madera con cabeza Phillips nº 6
- Parte Superior de la Carcasa del Soporte de la Puerta
- Tornillos T30
- 1 Perno limitador de bisagra
- Soporte del panel de la puerta central
- Tornillo Hi-Lo y arandela cuadrada
- Patada de Acero Inoxidable
- Tornillos pintados de la tapa de acceso
- Tornillo T10

HERRAMIENTAS Y MATERIALES NECESARIOS

- Tijeras de podar metálicas
- Destornillador Phillips nn2
- Destornillador con punta plana
- Espátula
- Cinta de medición
- Taladro y brocas de 1/16", 5/64", 3/16", 1/2"
- Broca de concreto de 5/32" (si instalará el soporte anti volcaduras en el concreto)
- Destornillador/ ficha de 1/4", 3/8", 7/16"
- Llave de tuercas de 7/16"
- Destornillador/ broca T10, T20, T30
- Destornillador hexagonal de 1/8", 1/4" (llave Allen)
- Nivel
- Válvulas de cierre de agua (opcional pero recomendada)
- Línea de flotación de 8' (una por unidad requiriendo conexiones domésticas de agua)
- Cinta adhesiva
- Alcohol desinfectante
- Llave de ajuste
- Punzón
- Kit de Unificación del Calentador (ZKUN)
- Kits de Puertas de Acero Inoxidable (si corresponde)
- Paneles a medida para puertas (si corresponde)
- Kits de manijas (si corresponde)
- Trinquete Pequeño

Instrucciones de Instalación – Instalación Integrada Dual

PIEZAS SUMINISTRADAS DEL KIT ZKUN:

Calentador Adhesivo
Transformador
Parteluz Frontal
Soporte con Terminación
Soporte de Unificación Superior
Soporte de Unificación Frontal Inferior
Tornillos Largos de Cabeza Hexagonal 8-18 5/8" de 3 1/4"
Tornillos Largos de Cabeza Hexagonal 8-32 5/8" de 5 1/4"
Tornillos Largos de Cabeza Hexagonal 1/4-20 1/2" de 3 3/8"
4 ganchos para cables

Herramientas y Materiales Requeridos:

Destornillador/ llaves de 1/4" y 3/8"
Destornillador Phillips n°2
Alcohol de fricción

CONEXIÓN A TIERRA DE LA UNIDAD

⚠ ADVERTENCIA  **Riesgo de Descarga**
Si no se siguen estas instrucciones, se podrá producir la muerte, incendios o descargas eléctricas.

El cable de corriente de este electrodoméstico cuenta con un enchufe de 3 cables (conexión a tierra) que se conecta a un tomacorriente de pared estándar de 3 cables (conexión a tierra) para minimizar el riesgo de posibles descargas eléctricas por parte del mismo.

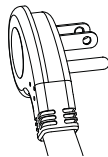
Contrate a un electricista calificado para que controle el tomacorriente y el circuito eléctrico, a fin de asegurar que el enchufe esté correctamente conectado a tierra.

En caso de contar con un tomacorriente de pared de 2 cables, es su responsabilidad y obligación reemplazarlo por un tomacorriente de pared de 3 cables correctamente conectado a tierra.

NUNCA, BAJO NINGUNA CIRCUNSTANCIA, CORTE NI ELIMINE EL TERCER CABLE (TIERRA) DEL CABLE DE CORRIENTE.

NO USE UN ENCHUFE ADAPTADOR PARA CONECTAR EL REFRIGERADOR A UN TOMACORRIENTE DE 2 PATAS.

NO USE UN PROLONGADOR CON ESTE ELECTRODOMÉSTICO.



PISO

Para una instalación correcta, este producto se deberá ubicar en una superficie nivelada de material duro que posea la misma altura en el resto del piso. Esta superficie deberá ser lo suficientemente fuerte como para resistir el peso de un refrigerador o freezer totalmente cargado, o aproximadamente 1,200 libras por unidad.

NOTA: Proteja el acabado del piso..

NOTA: No recomendado para instalación en pisos alfombrados.

PASO 1 RETIRE EL EMBALAJE

⚠ ADVERTENCIA  **Riesgo de Caída.**

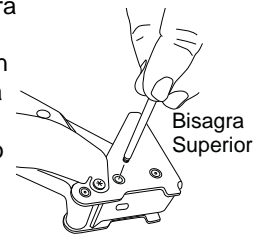
Este electrodoméstico es inestable. Tenga extremo cuidado al moverlo, a fin de evitar caídas hacia adelante que podrían resultar en la muerte o lesiones graves.

- Retire el cartón externo y el embalaje externo de las unidades.
- Controle que no haya daños.
- Si la instalación requerirá que la apertura de la puerta sea invertida, siga estas instrucciones en la sección de Inversión de la Apertura de la Puerta ANTES de que la unidad sea retirada de la superficie antideslizante.
- Asegúrese de que el piso donde las unidades se encuentran apoyadas esté despejado/ libre de escombros que podrían ser arrastrados o pellizcados frente a las ruedas y dañando así el piso. De forma adicional, se recomienda que el piso esté protegido por una cobertura plástica a través del proceso de instalación.

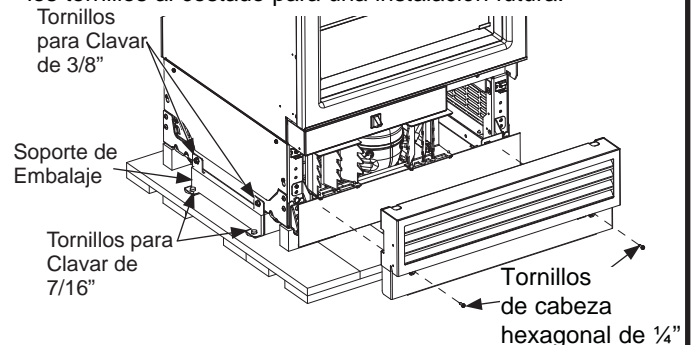
- Retire el kit de materiales del cajón superior.

- Si la instalación requiere una apertura de puerta de 90°, el perno limitador de la bisagra deberá ser instalado en la bisagra superior ANTES de que la unidad sea retirada de la superficie antideslizante. El perno está ubicado en el kit de materiales.

- Abra la puerta a aproximadamente 45°, pero a no más de 90°, a fin de exponer el agujero en el soporte de la bisagra trasera e instale el perno limitador. El perno deberá estar completamente colocado en el soporte o la puerta no se cerrará de forma apropiada.



- Retire la tapa de acceso frontal de la unidad, retirando los dos tornillos de cabeza hexagonal de 1/4". Coloque la tapa y los tornillos al costado para una instalación futura.



- Retire tres tornillos para clavar de 3/8" y dos tornillos para clavar de 7/16" de cada lado de la unidad, a fin de liberar la misma de la superficie antideslizante. Incline la unidad desde el costado lo suficiente como para retirar el material de embalaje de la parte inferior de la unidad, pero sobre la superficie antideslizante (ambos lados).

- CON CUIDADO haga rodar la unidad fuera de la parte trasera de la superficie antideslizante.

- Sostenga la misma sólo de un lado con un carro manual.

Instrucciones de Instalación – Instalación Integrada Dual

PASO 2 INSTALE EL SUMINISTRO DE AGUA

⚠ ADVERTENCIA Realice la conexión a un suministro de agua potable únicamente. Se requiere un suministro de agua fría para el funcionamiento de la máquina de hielos automática y de la jarra de llenado automático. La presión del agua deberá estar entre 40 y 120 p.s.i. (275 – 827 kPa).

⚠ ADVERTENCIA PELIGRO DE DESCARGA ELÉCTRICA

Adhiera la abrazadera de la tubería usando el agujero existente únicamente. NO perforo el refrigerador.

Cierre el suministro principal de agua.

Abra el grifo más cercano durante el tiempo suficiente como para despejar la tubería de agua.

- Instale una válvula de cierre entre la válvula de agua y la tubería de agua fría en un sótano o gabinete. La válvula de cierre deberá ser ubicada donde estará fácilmente accesible.
- Abra el suministro principal de agua y deje correr la suciedad. Deje correr aproximadamente un cuarto de galón de agua a través de la tubería a un balde. Cierre el suministro de agua desde la válvula de cierre.

NOTA: Las válvulas de cierre tipo montura están incluidas en muchos kits de suministro de agua. Antes de su adquisición, asegúrese de que la válvula tipo montura cumpla con los códigos de plomería locales.

NOTA: Se deberá cumplir con los Códigos de Plomería del Commonwealth de Massachusetts 248CMR. Las válvulas tipo montura son ilegales y su uso está prohibido en Massachusetts. Consulte a un plomero matriculado.

- Haga circular una tubería de cobre de un diámetro externo de 1/4" o SmartConnect™ (WX08X10006) entre el suministro de agua fría de la casa y la ubicación de la conexión de agua en el frente de la unidad.

Los Kits de Tubería para Refrigeradores SmartConnect™ están disponibles. Una tubería de agua de 8' (2.4m) (WX08X10006) es necesaria para cada unidad. La tubería(s) de agua se adherirá al piso usando una cinta adhesiva luego de la instalación del soporte anti volcaduras.



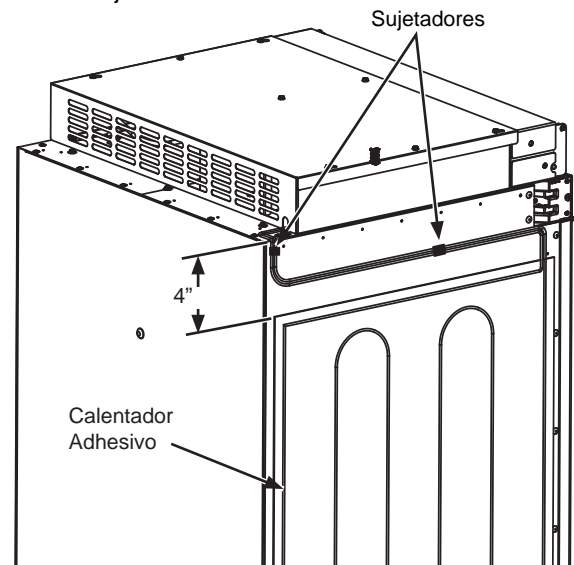
- La tubería deberá ser de una extensión suficiente como para llegar hasta el frente de la unidad. Deje una cantidad de tubería suficiente como para hacer una inclinación que llegue hasta la conexión de la tubería de agua. La unidad deberá estar inclinada hacia un costado para conducir la tubería de agua por debajo y hacia el frente del electrodoméstico.

NOTA: La única tubería plástica aprobada por GE Appliances es suministrada en los Kits de Tuberías para Refrigerador de SmartConnect™. No use ningún otro suministro de agua plástico, ya que el suministro se encuentra bajo presión en todo momento. Otros tipos de plásticos podrán sufrir fisuras o roturas con el paso del tiempo y ocasionar problemas con el agua en su hogar.

PASO 3 PREPARACIÓN DE LA UNIDAD PARA SU INSTALACIÓN

NOTA: Asegúrese de que el cable de conexión del calentador esté direccionado hacia la parte superior de la unidad al ser instalado.

- Coloque la unidad con apertura del lado derecho frente a la apertura de instalación, de modo que la unidad se encuentre frente a la ubicación de instalación esperada.
- Desembale el Kit de Unificación (ZKUN) de calefacción y asegúrese de que los componentes de la lista estén incluidos.
- Instale el calentador adhesivo en la parte exterior de la unidad, hacia el lado izquierdo de la carcasa. Instale el calentador 4" por debajo de la parte superior de la carcasa. El calentador deberá estar centrado del frente hacia atrás sobre la caja metálica.

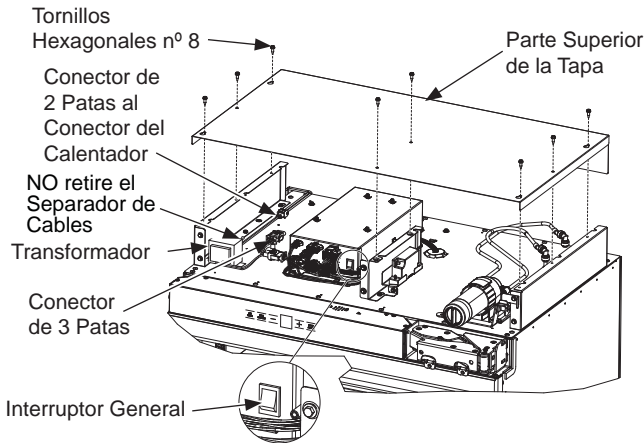


⚠ ADVERTENCIA Riesgo de Descarga
Si no se siguen estas instrucciones, se podrá producir la muerte, incendios o descargas eléctricas.

- Instale el transformador en el ensamble de la parte superior de la carcasa:
 1. Retire la parte superior de la tapa retirando los tornillos hexagonales nº 8 y guarde los mismos para volver a ensamblar la parte superior de la tapa.
 2. Coloque el transformador en la parte superior de la tapa provista con el kit ZKUN y asegure el mismo con los tornillos hexagonales existentes (1/4") sobre la parte frontal izquierda de la parte superior de la carcasa.
 3. Conecte el conector del transformador de 2 clavijas al conector del calentador, y el conector de 3 clavijas al panel de control, y asegúrese de que las lengüetas de bloqueo queden ajustadas.
 4. **NOTA:** Verifique que el interruptor general esté activado.
 5. Ensamble la parte superior de la tapa con los tornillos que guardó en el paso anterior.

Instrucciones de Instalación – Instalación Integrada Dual

PASO 3 PREPARACIÓN DE LA UNIDAD PARA SU INSTALACIÓN (Cont.)



La parte superior del ensamble de la carcasa está oculto para mayor claridad.

PASO 4 INSTALACIÓN DEL SOPORTE ANTI VOLCADURAS

⚠ ADVERTENCIA



Riesgo de Caídas

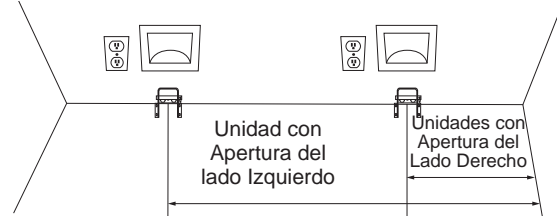
Estos electrodomésticos son inestables, especialmente cuando una puerta se encuentre abierta, y deben estar asegurados a fin de evitar caídas hacia adelante que podrían resultar en la muerte o en lesiones graves. Lea y siga las instrucciones de instalación en su totalidad para asegurar el electrodoméstico con el sistema anti volcaduras.

- Retire el soporte anti volcaduras del kit de materiales.
- El soporte anti volcaduras deberá ser montado contra la pared trasera o hasta un máximo de 27" (68.6 cm.) desde el frente de la abertura. Use el método de montaje sobre el piso si el soporte no se encuentra contra una pared (el material del soporte es provisto para el montaje en madera, travesaños de acero y concreto).

Unidad con Apertura del lado Izquierdo			Unidades con Apertura del Lado Derecho	Unidad
18"	24"	30"		
26-5/8" 67.6 cm	23-1/2" 59.7 cm	23-1/2" 59.7 cm	8-7/8" 22.5 CM	18"
32-5/8" 82.8 cm	29-1/2" 74.9 cm	29-1/2" 74.9 cm	5-3/4" 14.5 CM	24"
38-5/8" 98.1 cm	35-1/2" 90.1 cm	35-1/2" 90.1 cm	5-3/4" 14.5 CM	30"

PASO 4 INSTALACIÓN DEL SOPORTE ANTI VOLCADURAS (Cont.)

- Mida y marque desde el lado derecho de la apertura de acuerdo con la tabla anterior, dependiendo del tamaño de la unidad con apertura del lado derecho que esté instalando.

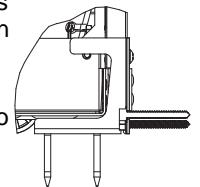


- Mida y marque nuevamente desde el lado derecho de la apertura de acuerdo con la tabla y dependiendo de su combinación de las unidades con apertura del lado izquierdo y derecho.
Por ejemplo, si instalará una unidad con apertura del lado izquierdo de 18" y una unidad con apertura del lado derecho de 30", use 5 3/4" y 38 5/8".
- Monte el soporte anti volcaduras centrado en torno a las marcas y la alineación con el piso, como se muestra. Marque los 3 agujeros para el montaje en la pared o los 4 agujeros para el montaje en el piso.

MONTAJE SOBRE MADERA: Haga marcas con una broca de 3/16", de 2" de profundidad, y luego instale los tirafondos con un destornillador de 7/16".

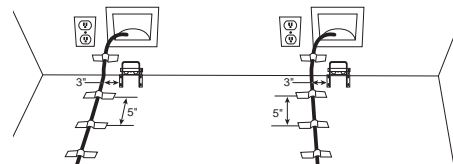
MONTAJE SOBRE CONCRETO: Haga marcas con una broca de 5/32", de 2" de profundidad, y luego instale los tornillos tapcon con un destornillador de 7/16".

MONTAJE SOBRE ACERO: Haga marcas con una broca de 1/2", inserte el tornillo con resorte, y luego instale los tornillos con un destornillador de 7/16".



El soporte deberá ser atornillado al PISO o a la PARED TRASERA.

- Si el espacio de protección supera los 25 1/2", el soporte antivolcaduras se deberá asegurar en el piso a 25" desde el frente del espacio de protección.
- Enciente la tubería de agua a la pared y al piso aproximadamente 3" hacia la izquierda del soporte anti volcaduras. Aplique cinta cada 5" hacia el frente de la abertura (la cinta evitará que la unidad ruede sobre la tubería de agua durante la instalación). No coloque cinta cerca del frente del gabinete, a fin de mantener la cinta oculta debajo de la unidad.

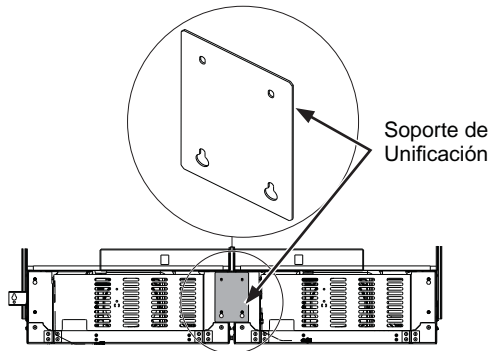


Instrucciones de Instalación – Instalación Integrada Dual

PASO 5 UNIENDO LAS UNIDADES DUALES INSTALADAS

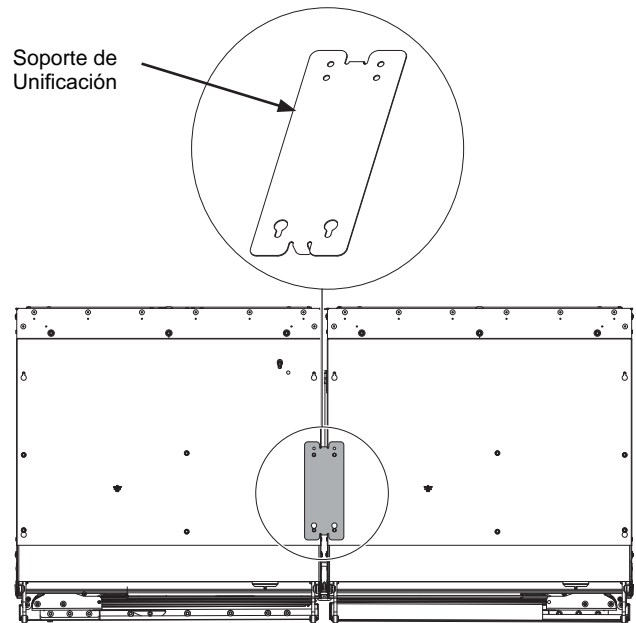
UNIFICACIÓN DE LA PARTE INFERIOR TRASERA

- Afloje los dos tornillos inferiores de las tapas de acceso traseras de ambas unidades y retire los tornillos superiores.
- Cuelgue el soporte de unificación sobre los tornillos inferiores y vuelva a ensamblar los tornillos en la parte superior.
- Ajuste los tornillos para unir las unidades.



UNIFICACIÓN SUPERIOR

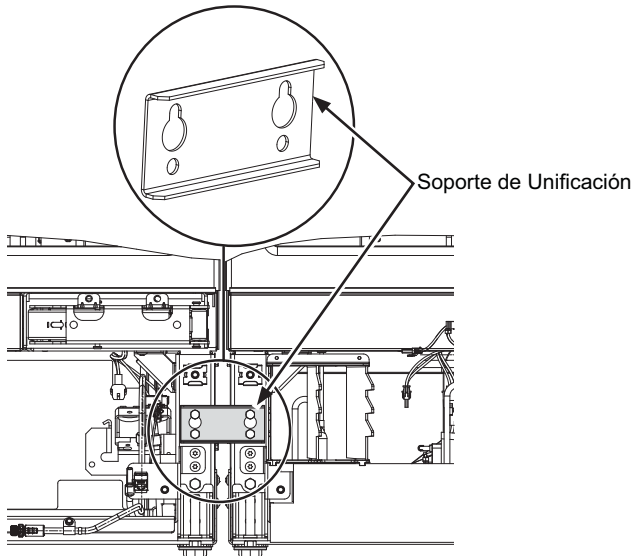
- Afloje los dos tornillos frontales sobre la parte superior de la unidad y retire los dos tornillos intermedios.
- Ensamble el soporte sobre los tornillos frontales y vuelva a instalar los tornillos intermedios.
- Ajuste los tornillos para unir las unidades.



Frente de los electrodomésticos

UNIFICACIÓN DE LA PARTE FRONTAL INFERIOR

- Instale el soporte de unificación frontal inferior usando un destornillador de 3/8" (4 tornillos).



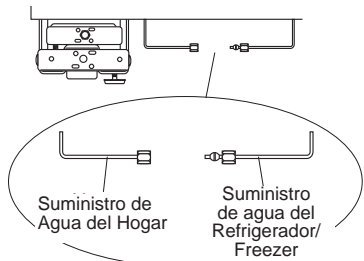
Instrucciones de Instalación – Instalación Integrada Dual

PASO 6 CONEXIÓN DEL SUMINISTRO DE AGUA

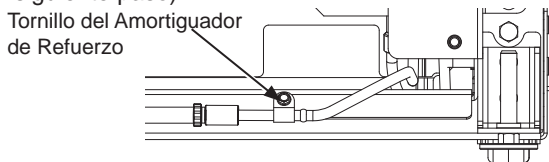
⚠ ADVERTENCIA Realice la conexión a un suministro de agua potable únicamente. Se requiere un suministro de agua fría para el funcionamiento de la máquina de helos automática y de la jarra de llenado automático. La presión del agua deberá estar entre 40 y 120 p.s.i. (275 – 827 kPa).

⚠ ADVERTENCIA  PELIGRO DE DESCARGA ELÉCTRICA

Adhiera la abrazadera de la tubería usando el agujero existente únicamente. NO perforo el refrigerador.



- Encuentre y traiga la tubería al frente del gabinete.
- Abra y deje correr el agua para eliminar desechos de la tubería. Deje correr alrededor de un cuarto de galón de agua por la tubería a un balde, y luego cierre el suministro de agua.
- Retire el tornillo del amortiguador de refuerzo para que se afloje lo suficiente y poder realizar una adecuada conexión de agua. (El tornillo deberá ser reemplazado en el siguiente paso).



Tubería de Cobre:

- Coloque una tuerca de 1/4" y una abrazadera de refuerzo (provista) sobre ambos extremos de la tubería de cobre. Inserte la tubería en el accesorio de unión con la unidad y ajuste la tuerca a la unión.
- Abra el suministro de agua para controlar que no haya pérdidas.

Tubería SmartConnect™

NOTA: La única tubería plástica aprobada por GE Appliances es suministrada en los Kits de Tuberías para Refrigerador de SmartConnect™. No use ningún otro suministro de agua plástico, ya que el suministro se encuentra bajo presión en todo momento. Otros tipos de plásticos podrán sufrir fisuras o roturas con el paso del tiempo y ocasionar problemas con el agua en su hogar.

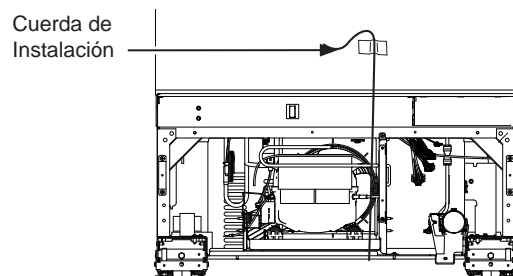
- Inserte el extremo moldeado de la tubería en la conexión del refrigerador o del freezer. Ajuste la tuerca de compresión hasta que quede fijada sólo con la presión manual.
- Siga las instrucciones provistas con la tubería. ¡Un ajuste excesivo podrá ocasionar pérdidas!
- Abra el suministro de agua para controlar que no haya pérdidas.

PASO 7 INSERCIÓN/ AJUSTE DEL BORDE DEL GABINETE

⚠ ADVERTENCIA  Riesgo de Descarga Eléctrica.

A fin de reducir el riesgo de descarga eléctrica, tenga cuidado en los pasos restantes de la instalación de no tocar el cableado ni los componentes eléctricos dentro del compartimiento del compresor mientras el electrodoméstico está enchufado y la tapa de acceso frontal no está en su lugar.

- Enchufe ambas unidades en el tomacorriente de la pared.
- Busque la cuerda de instalación que está adherida a la puerta de la unidad; la misma deberá ser usada a medida que vuelve a empujar la unidad dentro de la abertura. La cuerda está adherida al cable de corriente; a medida que vuelve a colocar la unidad en la abertura, deberá tensar la cuerda para asegurarse de que el cable de corriente haga su recorrido por debajo de la unidad.



- Lentamente coloque ambas unidades en la abertura, asegurándose de no tocar los gabinetes a los costados y de detenerse para evitar daños. Ambas caras de la puerta deberán estar a 7/8" detrás de la cara frontal de los gabinetes circundantes en la instalación de un panel de acero inoxidable o personalizado.

⚠ ADVERTENCIA  Riesgo de Caída

Estos electrodomésticos son inestables, especialmente cuando una puerta se encuentre abierta, y deben estar asegurados a fin de evitar caídas hacia adelante que podrían resultar en la muerte o en lesiones graves

- Coloque el cable de corriente sobre su extremo y empuje el mismo por debajo del producto entre las ruedecillas y lejos del soporte antivoltaduras, a fin de asegurar que el cable no sea dañado durante la instalación.
- Al volver a colocar la unidad en la abertura, usted deberá empujar el cable y tensar el mismo a fin de asegurar que el cable de corriente se encuentre canalizado debajo de la unidad.

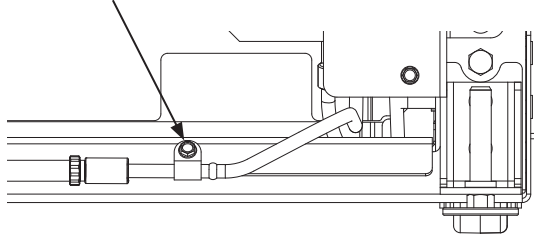


Instrucciones de Instalación – Instalación Integrada Dual


PASO 7 INSERCIÓN/ AJUSTE DEL BORDE DEL GABINETE (Cont.)

- Reemplace el tornillo del amortiguador de refuerzo de la tubería de agua.

Tornillo del Amortiguador de Refuerzo



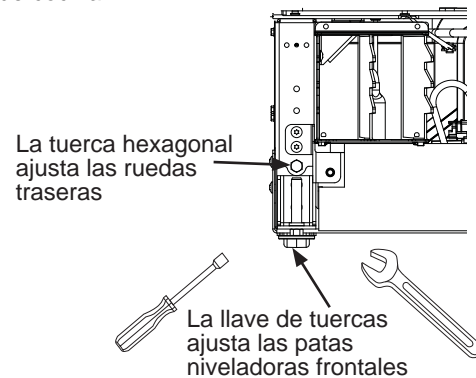
- Guarde la parte sobrante de la cuerda y de la tubería de agua debajo de la unidad.

⚠ ADVERTENCIA  **Riesgo de Descarga Eléctrica** Reemplace el amortiguador de refuerzo de la tubería de agua frente a la ubicación del riel, como se muestra.

PASO 8 NIVELE LA UNIDAD

Todos los modelos cuentan con 4 puntos de nivelación. La parte frontal está apoyada sobre patas niveladoras; la parte trasera está apoyada sobre ruedas ajustables. Es posible acceder a ambas desde la parte frontal de la unidad.

- A fin de nivelar la parte trasera de la unidad, gire la tuerca hexagonal de 7/16" que se encuentra ubicada sobre las ruedas frontales. Gire en dirección de las agujas del reloj para subir la unidad, y en contra de las agujas del reloj para bajar la misma.
- Para nivelar la parte frontal, use una llave de tuercas de 7/16".
- Ajuste la altura de la unidad para que coincida con la abertura del recorte de la instalación de 84". La unidad deberá estar nivelada de forma vertical entre los muebles de cocina.



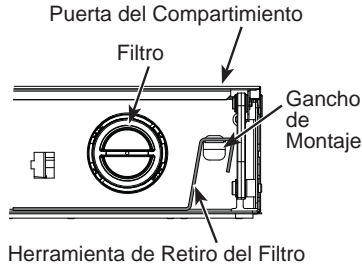
AVISO: Las ruedas niveladoras traseras y las patas niveladoras frontales cuentan con un límite de ajuste de altura máxima de 1". Si en la instalación se requiere una altura superior a 84-1/2", el instalador deberá elevar el refrigerador sobre una lámina de contrachapado o tirantes. También se podrá agregar un ajuste a los gabinetes sobre la parte superior de la abertura, a fin de acortar esta última. Si intenta elevar la unidad más de 1", dañará las patas niveladoras frontales y las ruedas niveladoras traseras.

Instrucciones de Instalación – Instalación Integrada Dual

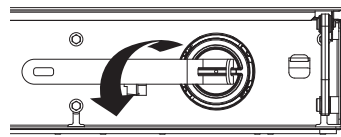
PASO 9 PREPARACIÓN FINAL DE LA UNIDAD EXTERNA

PARA UNA INSTALACIÓN AL MISMO NIVEL: Asegúrese de que la superficie frontal de la puerta esté 7/8" detrás de la cara frontal de los gabinetes circundantes ANTES de asegurar los soportes a dichos gabinetes.

- Abra la tapa frontal de la carcasa a 90°. Ubique el filtro y la herramienta de retiro del filtro. El filtro deberá aparecer como se muestra.

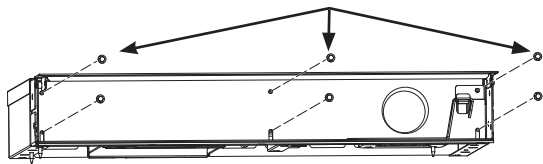


- Dé al filtro ¼ de giro en sentido antihorario (si es necesario, use la herramienta de retiro del filtro).

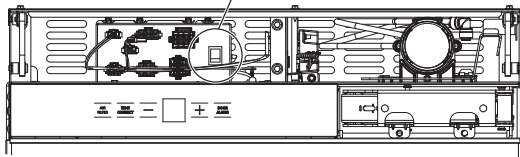


- Empuje el filtro hacia usted para retirar el mismo. **NOTA:** El sistema de agua no funcionará si el filtro no está ubicado en su posición.
- Asegúrese de que las luces se encuentren encendidas dentro de la unidad. Si no están encendidas, controle para asegurarse de que el interruptor general está encendido retirando la carcasa frontal, la cual se encuentra asegurada con seis tornillos hexagonales de 1/4".

Tornillo Hexagonal de ¼"



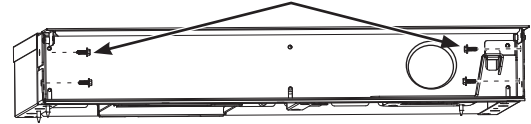
- Encienda el interruptor general si no se encuentra encendido. Los Cables de Interruptor General están escondidos para mayor claridad.



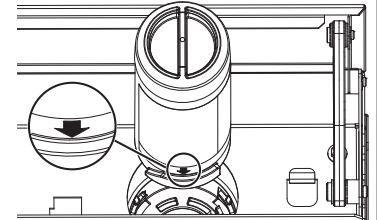
- Ensamble la carcasa con los tornillos retirados.
- Haga marcas de agujeros de 1/16" a ambos lados de la profundidad de 1/2" circundante a través de los agujeros de la carcasa.
- Asegure la unidad colocando cuatro agujeros hexagonales de ¼" a ambos lados del gabinete circundante. **NOTA:** Este paso NO reemplaza los materiales de seguridad anti volcaduras. Consulte el Paso 4 sobre la Instalación del Soporte Anti Volcaduras y el Paso 7 sobre Inserción/ Ajuste Alrededor del Gabinete para más detalles sobre cómo instalar los materiales anti volcaduras. Repite esto con la segunda unidad.

PASO 9 PREPARACIÓN FINAL DE LA UNIDAD EXTERNA (Cont.)

Tornillo Hexagonal de ¼"

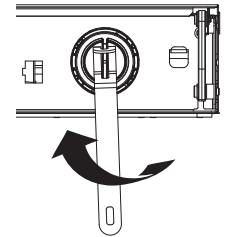


- Ubique la flecha azul del filtro. Gire el filtro para alinear la flecha como se muestra.



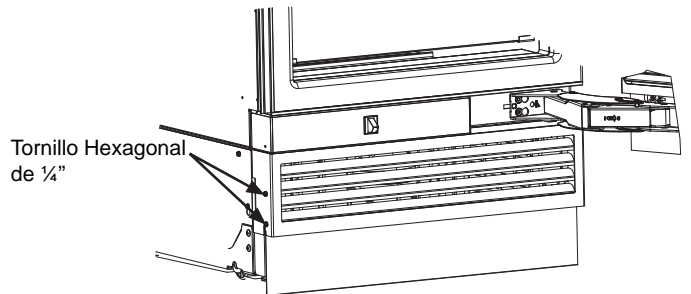
- Inserte el filtro en su posición y dé al mismo ¼ de giro en sentido horario (si es necesario, use la herramienta de retiro del filtro).

- Vuelva a colocar la herramienta de retiro del filtro en el gancho de montaje.



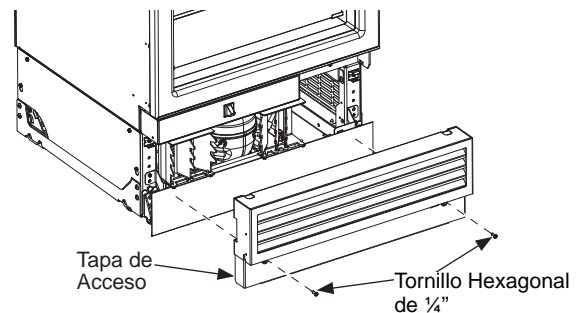
- Cierre la puerta del compartimiento.

- Verifique que los dos tornillos con cabeza hexagonal de ¼" se encuentren ensamblados a los costados de las manijas de los productos, tanto de las columnas de comidas frescas como del freezer.



Tornillo Hexagonal de ¼"

- Vuelva a colocar la tapa de acceso en la unidad y asegure la misma con dos tornillos de cabeza hexagonal de 1/4.



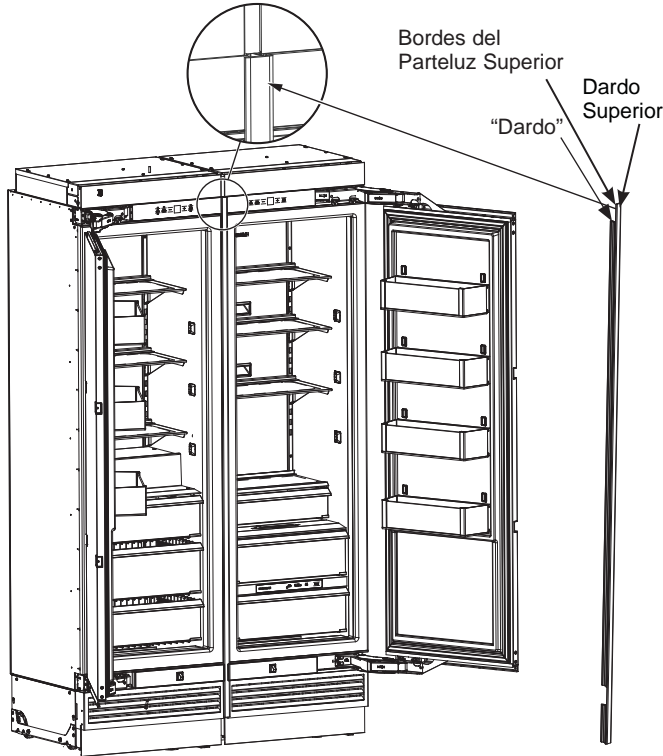
Tapa de Acceso

Tornillo Hexagonal de ¼"

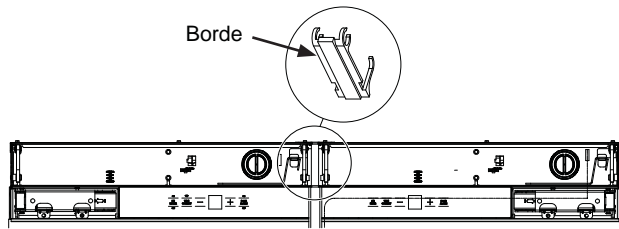
Instrucciones de Instalación – Instalación Integrada Dual

PASO 9 PREPARACIÓN FINAL DE LA UNIDAD EXTERNA (Cont.)

- Instale el parteluz frontal y acceda a los bordes de las tapas entre las 2 unidades. Abra las puertas y el dardo flexible en el área entre las unidades.

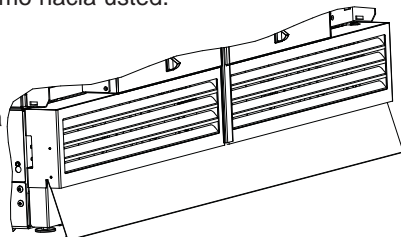


- Abra ambas puertas del gabinete a 90°.
- Presione el soporte con terminación entre el cerramiento de acceso al filtro de agua sobre las pantallas.



PASO 10 INSTALACIÓN DEL ZÓCALO

- Inserte el zócalo en la ranura sobre la Tapa de Acceso Frontal, rotando el mismo hacia usted.
- Presione la parte inferior del zócalo hacia el producto y deslice el mismo hasta su posición.



PASO 10 PREPARACIÓN DE LA UNIDAD INTERNA

- Retire toda la cita, cartón y gomaespuma de cada unidad (los soportes de la gomaespuma del embalaje podrán estar ubicados detrás de los laterales izquierdo y derecho de los frentes de los paneles de vidrio en los modelos de refrigerador).
- Retire de los estantes los cestos de puertas en cajas.
- Retire de la caja e instale los cestos de puerta.
- Instale los tapetes de los cestos de puerta.

PASO 11 INICIE LA MÁQUINA DE HIELOS (modelos con freezer)

⚠ PRECAUCIÓN

Para minimizar el riesgo de lesiones personales, evite el contacto con las partes móviles del mecanismo eyector o con el elemento de calefacción que libera los cubos. No coloque los dedos ni las manos en el mecanismo de la máquina de hielo automática mientras el electrodoméstico se encuentre enchufado.

Puede llevar entre 12 y 24 horas que un freezer recién instalado comience a fabricar hielo.

La máquina de hielos producirá siete cubos por ciclo - aproximadamente 15 ciclos en un período de 24 horas - dependiendo de la temperatura del compartimiento del freezer, la temperatura ambiente, la cantidad de veces que se abra la puerta y otras condiciones de uso.

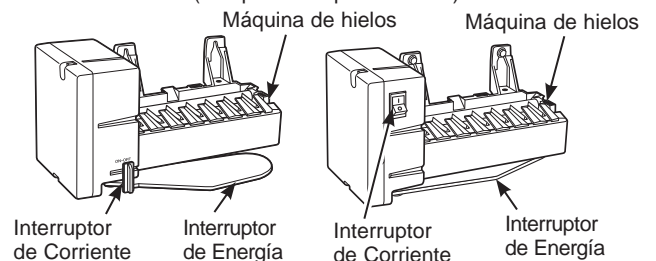
Si el freezer se utiliza antes de realizar la conexión del agua a la máquina de hielos, configure la máquina de hielos en **OFF** (Apagado). La canasta del cable superior deberá ser retirada para acceder al interruptor de corriente de la máquina de hielos.

Cuando el refrigerador haya sido conectado al suministro de agua, ajuste el interruptor de corriente en la posición **ON** (Encendido).

Descarte la primera cubitera de hielo para permitir que el suministro de agua se limpie.

Asegúrese de que nada interfiera con la extensión del interruptor de energía.

(La apariencia puede variar)



Cuando la cubitera se llene hasta el nivel del interruptor de energía, la máquina de hielos dejará de producir hielo.

Es normal que varios de los cubos queden juntos.

Si el hielo no se usa con frecuencia, los cubos de hielo viejos se volverán turbios, con sabor rancio y su tamaño se reducirá.

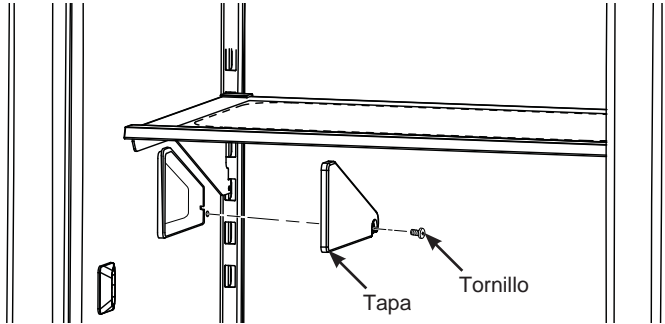
NOTA: La máquina de hielos funciona mejor con una presión hogareña de agua de entre 40 y 120 PSI (275-827 kPa).

Instrucciones de Instalación – Instalación Integrada Dual

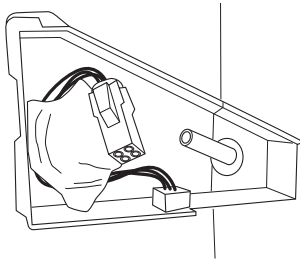
PASO 12 INSTALE EL ENSAMBLE DE LA JARRA DE LLENADO AUTOMÁTICO

(Algunos Modelos con Refrigerador)

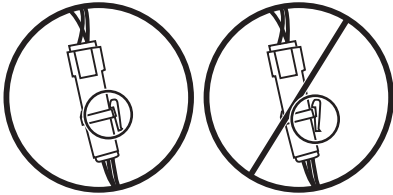
- Ubique la tapa de la jarra de llenado automático del lado izquierdo del interior del refrigerador. Retire el tornillo Torx T20 que sostiene la tapa en su posición hacia la parte trasera de la tapa. Retenga este tornillo para adherir el ensamble del llenado automático.



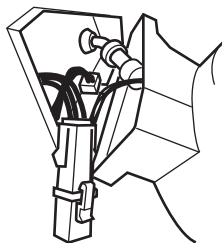
- Deslice la tapa hacia adelante para retirar la misma. Esto revela un conector eléctrico y un tubo de agua.



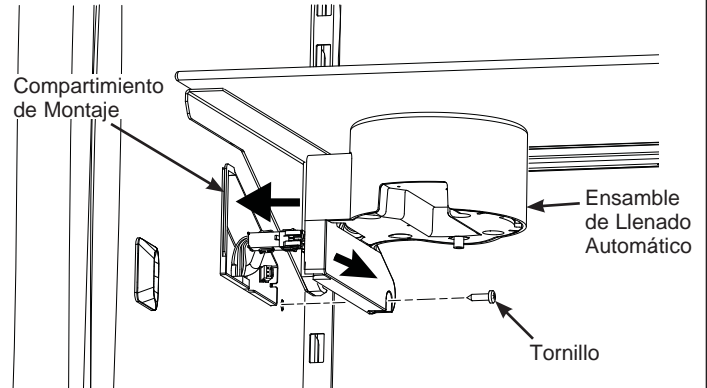
- Retire el ensamble de llenado automático de la caja. Conecte el conector de 4 pernos del ensamble de llenado automático al conector de la pared del compartimento.



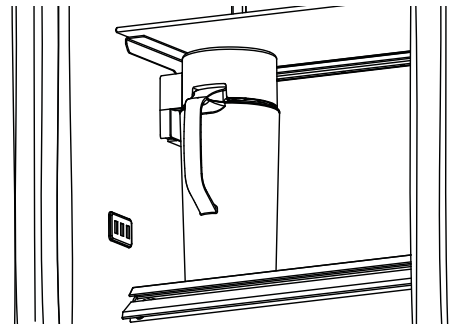
- Asegúrese de que la lengüeta de bloque del conector esté completamente adherida.
- Conecte el accesorio de la tubería de agua desde el ensamble de llenado automático a la tubería de agua ubicada en el compartimento. Asegúrese de que la tubería de agua esté firmemente conectada y que no se desajuste con facilidad. La tubería de agua deberá estar insertada en la marca de la tubería.



- Oculte los cables y la tubería dentro del compartimento de la pared y coloque el ensamble de pared de llenado automático en el extremo delantero del montaje, hasta que esté nivelado con la pared interior del refrigerador. Deslice el ensamble hacia la pared trasera hasta que el agujero del tornillo de montaje esté visible.



- Asegure el ensamble de llenado automático con el tornillo Torx T20 retirado previamente.
- Asegúrese de que el suministro de agua esté conectado al refrigerador antes de avanzar con el procedimiento.
- Alinee la tapa de la jarra con la guía del dispensador y deslice la jarra hacia la parte trasera del refrigerador hasta que se detenga. Es posible que haya un tiempo de respuesta de hasta 5 segundos hasta que el agua comience a llenar la jarra.



- El agua llenará la jarra hasta que alcance un nivel específico y luego se cerrará. Es normal que el nivel del agua se encuentre por debajo de la parte superior de la jarra.

NOTA: Luego de instalar la jarra de llenado automático, deje correr 2 galones de agua (aproximadamente 5 jarras llenas) a través del dispensador de llenado automático para retirar el aire del sistema. Un cartucho del filtro instalado de forma reciente hará que el agua chorree y gotee hasta que el aire se encuentre fuera del sistema. Es normal que el agua se vea descolorida durante el flujo inicial del sistema. El color del agua regresará a su estado normal luego de unos pocos minutos de comenzar a dispensar. Lave la jarra de llenado automático y la tapa luego de la depuración inicial antes del uso.

NOTA: No coloque la jarra en la guía del dispensador antes de que se realice la conexión del agua al refrigerador.

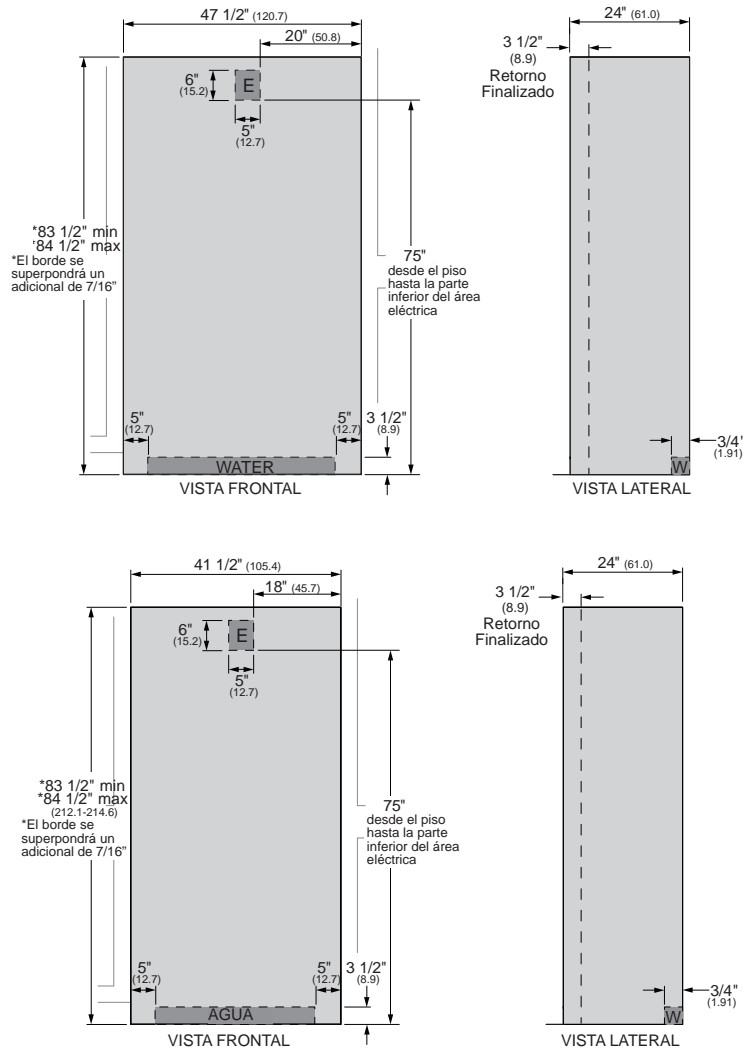
Instrucciones para la Instalación Dual Actualizada

Instalación de la construcción existente con aberturas de una profundidad de 24" con un ancho de 41 ½" o 47 ½"

Guía de Diseño – Instalación Dual Actualizada

ESPACIO DE INSTALACIÓN DUAL ACTUALIZADO

Las dimensiones que aparecen entre paréntesis están expresadas en centímetros.



Ubicaciones de Agua y Electricidad

Los suministros eléctricos y de agua deberán ser ubicados como se muestra.

Para Recortes de 24" de Profundidad-

Se requieren los Kits de Bordes Antiguos para una abertura ancha de 41.5" (ZKR42N) o de 47.5" (ZKR48N).

Kit ZKUN de Unificación de Calefacción requerido.

Espacios Libres del Producto

Estas unidades están equipadas con un dispositivo de detención de la puerta de 2 posiciones. El giro de la puerta de 115° original de fábrica se podrá ajustar a 90° si el espacio libre hasta los gabinetes adyacentes o paredes es restringido.

Para un giro de puerta de 90°, deje un espacio libre mínimo de 4" (10.2 cm) hasta una pared.

Cuando se instale en una esquina, deje 15" (38.1 cm) para una apertura de puerta completa de 115° en los modelos de 18" y 24". Deje 16 1/2" (41.9 cm) en los modelos de 30".

Especificaciones adicionales

- Se requiere un suministro de corriente aparte de 115 voltios, 60Hz., y 15 o 20 amperes para cada producto. Se recomienda el uso de un circuito individual derivado o un disyuntor correctamente conectado a tierra. Instale un receptáculo eléctrico de 3 patas correctamente conectado a tierra en la pared trasera. El receptáculo eléctrico deberá estar ubicado en la pared trasera como se muestra.
- La tubería de agua deberá estar ubicada en la pared trasera, como se muestra. La tubería de agua deberá ser de cobre y tener un diámetro externo de 1/4" o ser del kit QuickConnect™ (WX08X10006) entre la tubería de agua fría y la ubicación de la conexión de agua, siendo lo suficientemente larga como para alcanzar el frente de la unidad (8' [2.4m]). Se requiere la instalación de una válvula de cierre fácilmente accesible en la tubería de agua.
- Se recomienda un retorno finalizado mínimo de 3 1/2" que coincida con el gabinete exterior en la parte interna sobre todos los laterales y la parte superior del frente de la abertura.

Instrucciones de Instalación - Instalación Dual Actualizada

UBICACIÓN DEL REFRIGERADOR/ FREEZER

- No instale el refrigerador/ freezer en lugares donde la temperatura sea inferior a los 55°F (13°C). Éste no funcionará con la frecuencia suficiente como para mantener las temperaturas apropiadas.
- No instale el refrigerador/ freezer en lugares donde la temperatura sea superior a los 100°F (37°C). Éste no funcionará correctamente.
- No instale el refrigerador/ freezer en una ubicación expuesta al agua (lluvia, etc.) o en contacto directo con la luz solar.
- Instale el mismo en un piso lo suficientemente fuerte como para soportarlo completamente cargado.

HERRAMIENTAS Y MATERIALES NECESARIOS

- Tijeras de podar metálicas
- Destornillador Phillips nn2
- Destornillador con punta plana
- Espátula
- Cinta de medición
- Taladro y brocas de 1/16", 5/64", 3/16", 1/2"
- Broca de concreto de 5/32" (si instalará el soporte anti volcaduras en el concreto)
- Destornillador/ ficha de 1/4", 3/8", 7/16"
- Llave de tuercas de 7/16"
- Destornillador/ broca T10, T20, T30
- Destornillador hexagonal de 1/8", 1/4" (llave Allen)
- Nivel
- Válvulas de cierre de agua (opcional pero recomendada)
- Línea de flotación de 8' (una por unidad requiriendo conexiones domésticas de agua)
- Cinta adhesiva
- Alcohol desinfectante
- Llave de ajuste
- Punzón
- Kit de Unificación del Calentador (ZUGC)
- Kits de Puertas de Acero Inoxidable (si corresponde)
- Paneles a medida para puertas (si corresponde)
- Kits de manijas (si corresponde)
- Rueda Dentada Pequeña
- Kit para Ajuste Antiguo de 42" (ZTKC42) o 48" (ZTKC48)
- Zócalo de Acero Inoxidable de 42" (ZKK42P) o 48" (ZKK48P)

MATERIALES SUMINISTRADOS (por unidad)

- Enchufe del Bypass del Filtro de Agua (si está equipado con el mismo)
- Filtro de Aire (Si está equipado con el mismo)
- Soporte Anti volcaduras
- 3 Tornillos tirafondos
- 3 Tornillos Tapcon
- 3 Tornillos con resorte
- Plantillas de instalación del panel
- 2 Molduras de puerta
- 2 Soportes de paneles de puerta
- Conjuntos de tornillos
- #Tornillos de madera con cabeza Phillips nº 6
- Parte Superior de la Carcasa del Soporte de la Puerta
- Tornillos T30
- 1 Perno limitador de bisagra
- Soporte del panel de la puerta central
- Tornillo Hi-Lo y arandela cuadrada
- Tapa de Acceso
- Tornillos pintados de la tapa de acceso
- Tornillos T10

CONEXIÓN A TIERRA DE LA UNIDAD

⚠ ADVERTENCIA  **Riesgo de Descarga**
Si no se siguen estas instrucciones, se podrá producir la muerte, incendios o descargas eléctricas.

El cable de corriente de este electrodoméstico cuenta con un enchufe de 3 cables (conexión a tierra) que se conecta a un tomacorriente de pared estándar de 3 cables (conexión a tierra) para minimizar el riesgo de posibles descargas eléctricas por parte del mismo.

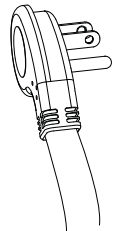
Contrate a un electricista calificado para que controle el tomacorriente y el circuito eléctrico, a fin de asegurar que el enchufe esté correctamente conectado a tierra.

En caso de contar con un tomacorriente de pared de 2 cables, es su responsabilidad y obligación reemplazarlo por un tomacorriente de pared de 3 cables correctamente conectado a tierra.

NUNCA, BAJO NINGUNA CIRCUNSTANCIA, CORTE NI ELIMINE EL TERCER CABLE (TIERRA) DEL CABLE DE CORRIENTE.

NO USE UN ENCHUFE ADAPTADOR PARA CONECTAR EL REFRIGERADOR A UN TOMACORRIENTE DE 2 PATAS.

NO USE UN PROLONGADOR CON ESTE ELECTRODOMÉSTICO.



PISO

Para una instalación correcta, este producto se deberá ubicar en una superficie nivelada de material duro que posea la misma altura en el resto del piso. Esta superficie deberá ser lo suficientemente fuerte como para resistir el peso de un refrigerador o freezer totalmente cargado, o aproximadamente 1,200 libras por unidad.

NOTA: Proteja el acabado del piso..

NOTA: No recomendado para instalación en pisos alfombrados.

Installation Instructions - Dual Retro-Fit Installation

PIEZAS SUMINISTRADAS DEL KIT ZKUN:

Calentador Adhesivo
 Transformador
 Parteluz Frontal
 Soporte con Terminación
 Soporte de Unificación Superior
 Soporte de Unificación Frontal Inferior
 Tornillos Largos de Cabeza Hexagonal 8-18 5/8" de 3 1/4"
 Tornillos Largos de Cabeza Hexagonal 8-32 5/8" de 5 1/4"
 Tornillos Largos de Cabeza Hexagonal 1/4-20 1/2" de 3 3/8"
 4 ganchos para cables

Herramientas y Materiales Requeridos:

Destornillador/ llaves de 1/4" y 3/8"
 Destornillador Phillips n°2
 Alcohol de fricción

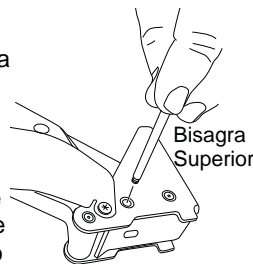
PASO 1 RETIRE EL EMBALAJE

⚠ ADVERTENCIA Riesgo de Caída.

Este electrodoméstico es inestable. Tenga extremo cuidado al moverlo, a fin de evitar caídas hacia adelante que podrían resultar en la muerte o lesiones graves.

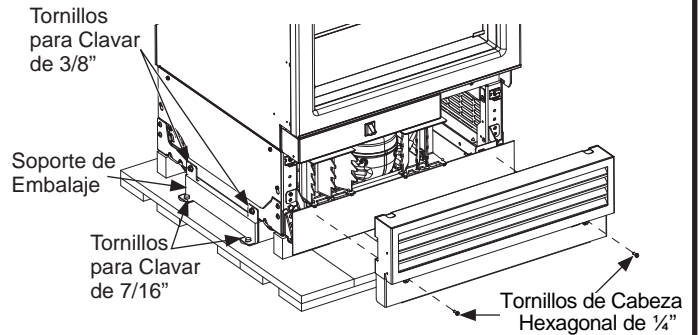
- Retire el cartón externo y el embalaje externo de las unidades.
- Controle que no haya daños.
- Si la instalación requerirá que la apertura de la puerta sea invertida, siga estas instrucciones en la sección de Inversión de la Apertura de la Puerta ANTES de que la unidad sea retirada de la superficie antideslizante.
- Asegúrese de que el piso donde las unidades se encuentran apoyadas esté despejado/ libre de escombros que podrían ser arrastrados o pellizcados frente a las ruedas y dañando así el piso. De forma adicional, se recomienda que el piso esté protegido por una cobertura plástica a través del proceso de instalación.
- Retire el kit de materiales del cajón superior.
- Si la instalación requiere una apertura de puerta de 90°, el perno limitador de la bisagra deberá ser instalado en la bisagra superior ANTES de que la unidad sea retirada de la superficie antideslizante. El perno está ubicado en el kit de materiales.

- Abra la puerta a aproximadamente 45°, pero a no más de 90°, a fin de exponer el agujero en el soporte de la bisagra trasera e instale el perno limitador. El perno deberá estar completamente colocado en el soporte o la puerta no se cerrará de forma apropiada.



PASO 1 RETIRE EL EMBALAJE (Cont.)

- Retire la tapa de acceso frontal de la unidad, retirando los dos tornillos de cabeza hexagonal de 1/4". Coloque la tapa y los tornillos al costado para una instalación futura.
- Retire tres tornillos para clavar de 3/8" y dos tornillos para clavar de 7/16" de cada lado de la unidad, a fin de liberar la misma de la superficie antideslizante. Incline la unidad desde el costado lo suficiente como para retirar el material de embalaje de la parte inferior de la unidad, pero sobre la superficie antideslizante (ambos lados).
- CON CUIDADO haga rodar la unidad fuera de la parte trasera de la superficie antideslizante.
- Sostenga la misma sólo de un lado con un carro manual.



PASO 2 INSTALE EL SUMINISTRO DE AGUA

⚠ ADVERTENCIA Realice la conexión a un suministro de agua potable únicamente. Se requiere un suministro de agua fría para el funcionamiento de la máquina de helos automática y de la jarra de llenado automático. La presión del agua deberá estar entre 40 y 120 p.s.i. (275 – 827 kPa).

⚠ ADVERTENCIA PELIGRO DE DESCARGA ELÉCTRICA

Adhiera la abrazadera de la tubería usando el agujero existente únicamente. NO perforo el refrigerador.

- Se requiere un suministro de agua fría para el funcionamiento de la máquina de helos automática y de la jarra de llenado automático. La presión del agua deberá estar entre 40 y 120 p.s.i. (275 – 827 kPa).
- Cierre el suministro principal de agua.**
 Abra el grifo más cercano durante el tiempo suficiente como para despejar la tubería de agua.
- Instale una válvula de cierre entre la válvula de agua y la tubería de agua fría en un sótano o gabinete. **La válvula de cierre deberá ser ubicada donde estará fácilmente accesible.**
 - Abra el suministro principal de agua y deje correr la suciedad. Deje correr aproximadamente un cuarto de galón de agua a través de la tubería a un balde. Cierre el suministro de agua desde la válvula de cierre.

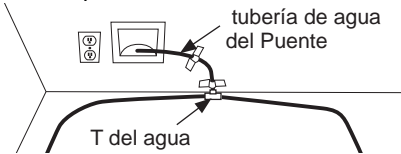
Installation Instructions - Dual Retro-Fit Installation

PASO 2 INSTALE EL SUMINISTRO DE AGUA (Cont.)

NOTA: Las válvulas de cierre tipo montura están incluidas en muchos kits de suministro de agua. Antes de su adquisición, asegúrese de que la válvula tipo montura cumpla con los códigos de plomería locales.

NOTA: Se deberá cumplir con los Códigos de Plomería del Commonwealth de Massachusetts 248CMR. Las válvulas tipo montura son ilegales y su uso está prohibido en Massachusetts. Consulte a un plomero matriculado.

- Conecte la tubería de agua del Puente desde el Kit de Bordes Antiguo ZKR42N o ZKR48N a la tubería de agua fría del hogar. Ajuste la tuerca de compresión de forma manual, y luego dé un giro adicional con una llave. ¡Un ajuste excesivo podrá ocasionar pérdidas!
- Conecte el otro extremo de la tubería de agua del puente al accesorio en T del agua en el kit de Bordes antiguo. Ajuste la tuerca de compresión de forma manual, y luego dé un giro adicional con una llave. ¡Un ajuste excesivo podrá ocasionar pérdidas!



- Haga circular una tubería de cobre de un diámetro externo de 1/4" o SmartConnect™ (WX08X10006) entre el suministro de agua fría de la casa y la ubicación de la conexión de agua en el frente de la unidad. Los Kits de Tubería para Refrigeradores SmartConnect™ están disponibles. Una tubería de agua de 8' (2.4m) (WX08X10006) es necesaria para cada unidad. La tubería(s) de agua se adherirá al piso usando una cinta adhesiva luego de la instalación del soporte anti volcaduras.
- La tubería deberá ser de una extensión suficiente como para llegar hasta el frente de la unidad. Deje una cantidad de tubería suficiente como para hacer una inclinación que llegue hasta la conexión de la tubería de agua. La unidad deberá estar inclinada hacia un costado para conducir la tubería de agua por debajo y hacia el frente del electrodoméstico.

NOTA: La única tubería plástica aprobada por GE Appliances es suministrada en los Kits de Tuberías para Refrigerador de SmartConnect™. No use ningún otro suministro de agua plástico, ya que el suministro se encuentra bajo presión en todo momento. Otros tipos de plásticos podrán sufrir fisuras o roturas con el paso del tiempo y ocasionar problemas con el agua en su hogar.

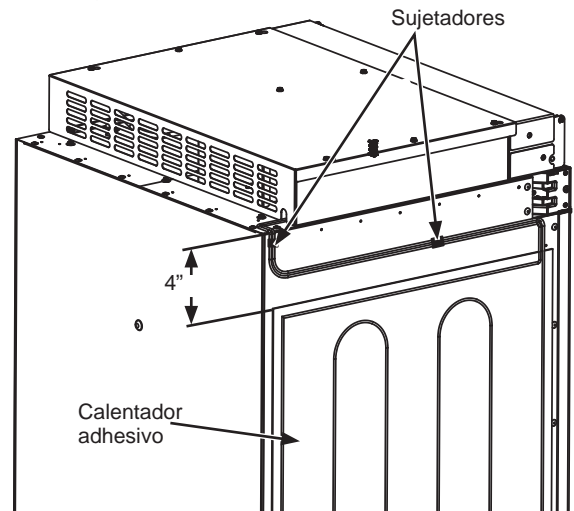
- Enciente la tubería de agua del puente y el accesorio en T del agua a la pared trasera. Las tuberías de agua deben ser encintadas al piso usando una cinta adhesiva luego de la instalación del soporte anti volcaduras.

PASO 3 PREPARACIÓN DE LA UNIDAD PARA SU INSTALACIÓN

- Desembale el Kit de Unificación (ZKUN) de calefacción y asegúrese de que los componentes de la lista estén incluidos.

NOTA: Asegúrese de que el cable de conexión del calentador esté direccionado hacia la parte superior de la unidad al ser instalado.

- Coloque la unidad con apertura del lado derecho frente a la apertura de instalación, de modo que la unidad se encuentre frente a la ubicación de instalación esperada.
- Instale el calentador adhesivo en la parte exterior de la unidad, hacia el lado izquierdo de la carcasa. Instale el calentador 4" por debajo de la parte superior de la carcasa. El calentador deberá estar centrado del frente hacia atrás sobre la caja metálica.

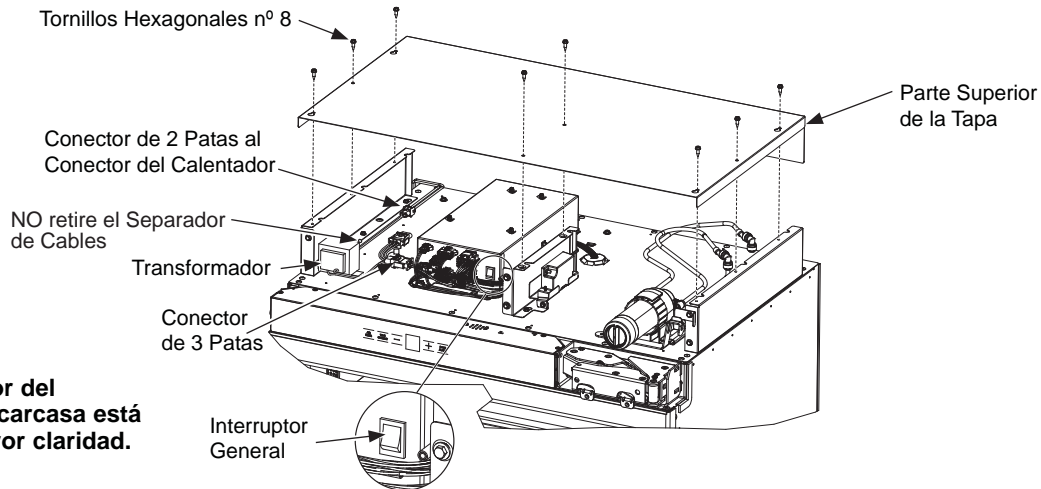


⚠ ADVERTENCIA  **Riesgo de Descarga**
Si no se siguen estas instrucciones, se podrá producir la muerte, incendios o descargas eléctricas.

- Instale el transformador en el ensamble de la parte superior de la carcasa:
 1. Retire la parte superior de la tapa retirando los tornillos hexagonales nº 8 y guarde los mismos para volver a ensamblar la parte superior de la tapa.
 2. Coloque el transformador en la parte superior de la tapa provista con el kit ZKUN y asegure el mismo con los tornillos hexagonales existentes (1/4") sobre la parte frontal izquierda de la parte superior de la carcasa.
 3. Conecte el conector del transformador de 2 clavijas al conector del calentador, y el conector de 3 clavijas al panel de control, y asegúrese de que las lengüetas de bloqueo queden ajustadas.
 4. **NOTA:** Verifique que el interruptor general esté activado.
 5. Ensamble la parte superior de la tapa con los tornillos que guardó en el paso anterior.

Instrucciones de Instalación - Instalación Dual Actualizada

PASO 3 PREPARACIÓN DE LA UNIDAD PARA SU INSTALACIÓN (Cont.)



La parte superior del ensamble de la carcasa está oculto para mayor claridad.

PASO 4 INSTALACIÓN DEL SOPORTE ANTI VOLCADURAS

⚠ ADVERTENCIA Riesgo de

Caídas Estos electrodomésticos son inestables, especialmente cuando una puerta se encuentre abierta, y deben estar asegurados a fin de evitar caídas hacia adelante que podrían resultar en la muerte o en lesiones graves. Lea y siga las instrucciones de instalación en su totalidad para asegurar el electrodoméstico con el sistema anti volcaduras.

- Retire el soporte anti volcaduras del kit de materiales.
- El soporte anti volcaduras deberá ser montado contra la pared trasera o hasta un máximo de 27" (68.6 cm.) desde el frente de la abertura. Use el método de montaje sobre el piso si el soporte no se encuentra contra una pared (el material del soporte es provisto para el montaje en madera, travesaños de acero y concreto).

Unidad con Apertura del lado izquierdo			Unidades con Apertura del Lado Derecho	Unidad
18"	24"	30"		
26-5/8" 67.6 cm	23-1/2" 59.7 cm	23-1/2" 59.7 cm	8-7/8" 22.5 CM	18"
32-5/8" 82.8 cm	29-1/2" 74.9 cm	29-1/2" 74.9 cm	5-3/4" 14.5 CM	24"
38-5/8" 98.1 cm	35-1/2" 90.1 cm	35-1/2" 90.1 cm	5-3/4" 14.5 CM	30"

- Mida y marque desde el lado derecho de la abertura de acuerdo con la tabla anterior, dependiendo del tamaño de la unidad con apertura del lado derecho que esté instalando.



- Mida y marque nuevamente desde el lado izquierdo de la abertura de acuerdo con la tabla y dependiendo de su combinación de las unidades con apertura del lado izquierdo y derecho.

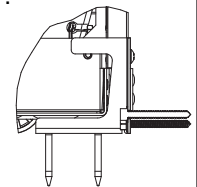
Por ejemplo, si instalará una unidad con apertura del lado izquierdo de 18" y una unidad con apertura del lado derecho de 30", use 5 3/4" y 38 5/8".

- Monte el soporte anti volcaduras centrado en torno a las marcas y la alineación con el piso, como se muestra. Marque los 3 agujeros para el montaje en la pared o los 4 agujeros para el montaje en el piso.

MONTAJE SOBRE MADERA: Haga marcas con una broca de 3/16", de 2" de profundidad, y luego instale los tirafondos con un destornillador de 7/16".

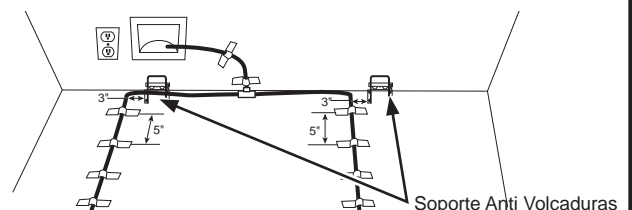
MONTAJE SOBRE CONCRETO: Haga marcas con una broca de 5/32", de 2" de profundidad, y luego instale los tornillos tapcon con un destornillador de 7/16".

MONTAJE SOBRE ACERO: Haga marcas con una broca de 1/2", inserte el tornillo con resorte, y luego instale los tornillos con un destornillador de 7/16".



El soporte deberá ser atornillado al PISO o a la PARED TRASERA.

- El soporte antivolcaduras deberá estar asegurado al piso a 23" desde el frente de la carcasa.
- Encinte la tubería de agua a la pared y al piso aproximadamente 3" hacia la izquierda del soporte anti volcaduras. Aplique cinta cada 5" hacia el frente de la abertura (la cinta evitará que la unidad ruede sobre la tubería de agua durante la instalación). No coloque cinta cerca del frente del gabinete, a fin de mantener la cinta oculta debajo de la unidad.

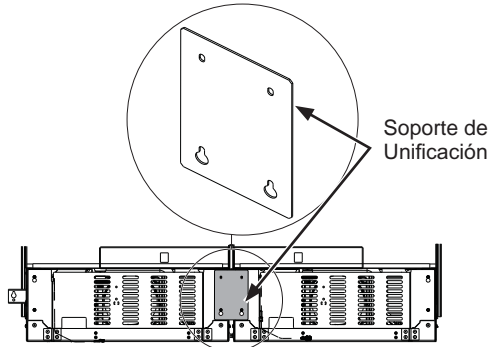


Instrucciones de Instalación - Instalación Dual Actualizada

PASO 5 UNIENDO LAS UNIDADES DUALES INSTALADAS

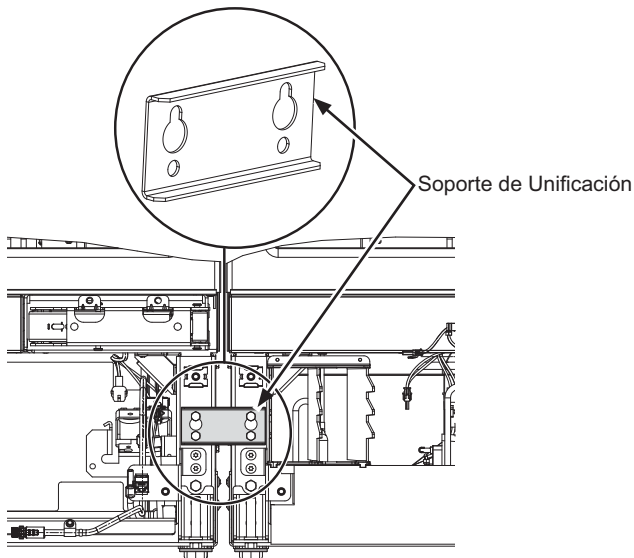
UNIFICACIÓN DE LA PARTE INFERIOR TRASERA

- Afloje los dos tornillos inferiores de las tapas de acceso traseras de ambas unidades y retire los tornillos superiores.
- Cuelgue el soporte de unificación sobre los tornillos inferiores y vuelva a ensamblar los tornillos en la parte superior.
- Ajuste los tornillos para unir las unidades.



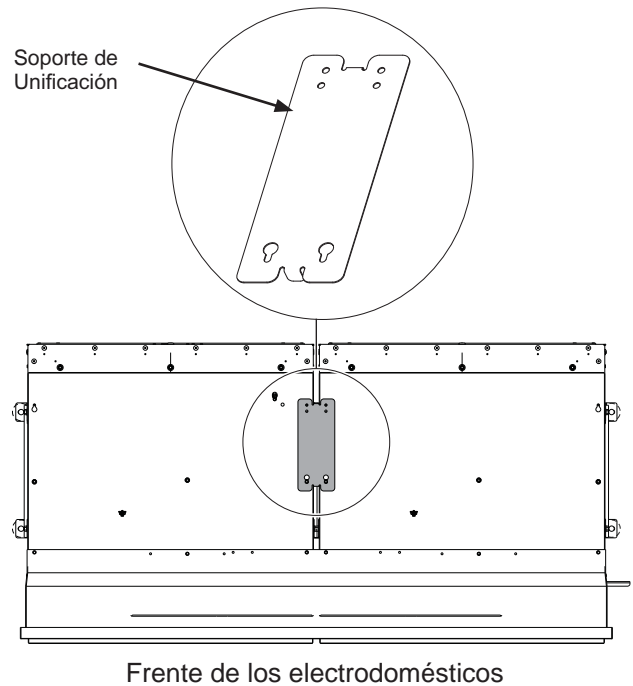
UNIFICACIÓN DE LA PARTE FRONTAL INFERIOR

- Instale el soporte de unificación frontal inferior usando un destornillador de 3/8" (4 tornillos).



UNIFICACIÓN SUPERIOR

- Afloje los dos tornillos frontales sobre la parte superior de la unidad y retire los dos tornillos intermedios.
- Ensamble el soporte sobre los tornillos frontales y vuelva a instalar los tornillos intermedios.
- Ajuste los tornillos para unir las unidades.



Instrucciones de Instalación - Instalación Dual Actualizada

PASO 5 UNIENDO LAS UNIDADES DUALES INSTALADAS (Cont.)

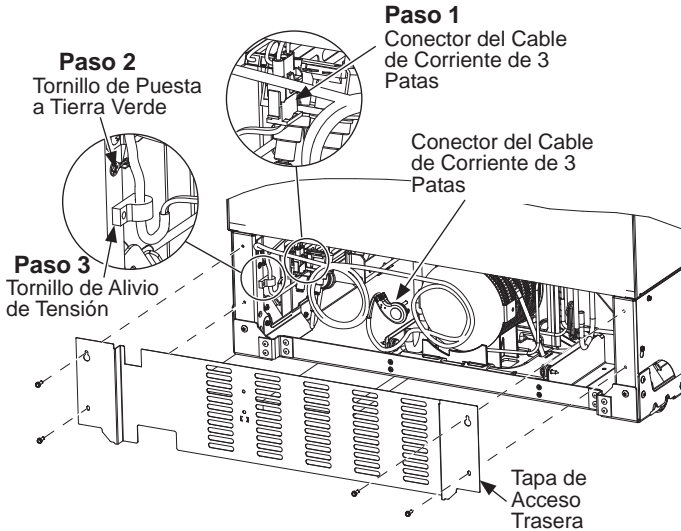
CAMBIE EL CABLE DE CORRIENTE

Se requieren cables de corriente más prolongados para una instalación actualizada. Los cables de corriente están incluidos en 42" ZKR42N y 48" ZKR48N.

Reemplace los cables de corriente en ambas unidades. Ambas unidades pueden ser enchufadas en el mismo receptáculo del suministro eléctrico.

Retire el cable de corriente corto existente con el ensamble de la cuerda:

- Retire los tornillos hexagonales de ¼" que sostienen la tapa de acceso trasera.
 1. Desenchufe el conector del cable de corriente de 3 patas dentro del compartimiento de la máquina (presione sobre los costados para liberar las lengüetas de bloqueo).
 2. Retire el tornillo hexagonal de ¼" del cable de corriente de conexión a tierra verde
 3. Retire el tornillo hexagonal de ¼" del amortiguador de refuerzo.



Instale el nuevo cable de corriente más prolongado:

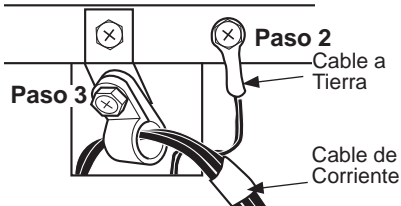
1. Enchufe el conector de 3 patas (asegúrese de que las lengüetas de bloqueo estén adheridas).
2. Instale el tornillo del cable de corriente de conexión a tierra verde
3. Instale el amortiguador de refuerzo del cable de corriente.

⚠ ADVERTENCIA Riesgo de Descarga

Eléctrica A fin de evitar riesgos de descarga eléctrica, asegúrese de volver a instalar el tornillo de conexión a tierra luego de cambiar el cable de corriente.

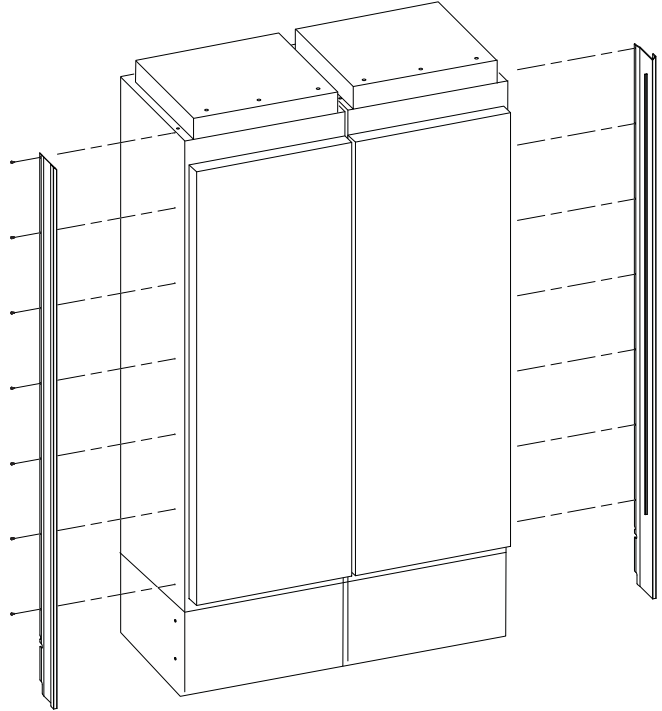
- Reemplace la tapa de acceso trasero. Asegúrese de que el cable de corriente y el cable de conexión a tierra estén correctamente dirigidos a través del recorte de la tapa de acceso.

Repita todos los pasos en la segunda unidad.

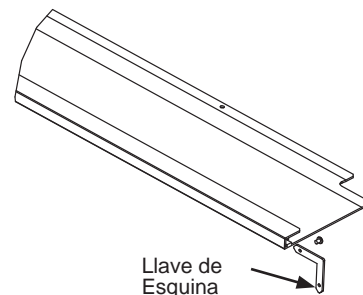


INSTALACIÓN DEL BORDE DE LA CAJA

- Instale los rieles laterales del kit de bordes en las paredes derecha e izquierda expuestas de la caja, usando los tornillos de cabeza Phillips nº 8 – 7 tornillos por lado .



- Haga un ensamble previo del riel superior del kit de bordes y de las llaves de las esquinas. Una llave de esquina deberá ser instalada en cada extremo del borde superior. Use el tornillos de cabeza Phillips nº 6 en la llave de la esquina para asegurar que la llave está bien ajustada al borde superior, pero asegúrese de que ajustar en exceso el tornillo a fin de evitar daños sobre las piezas.



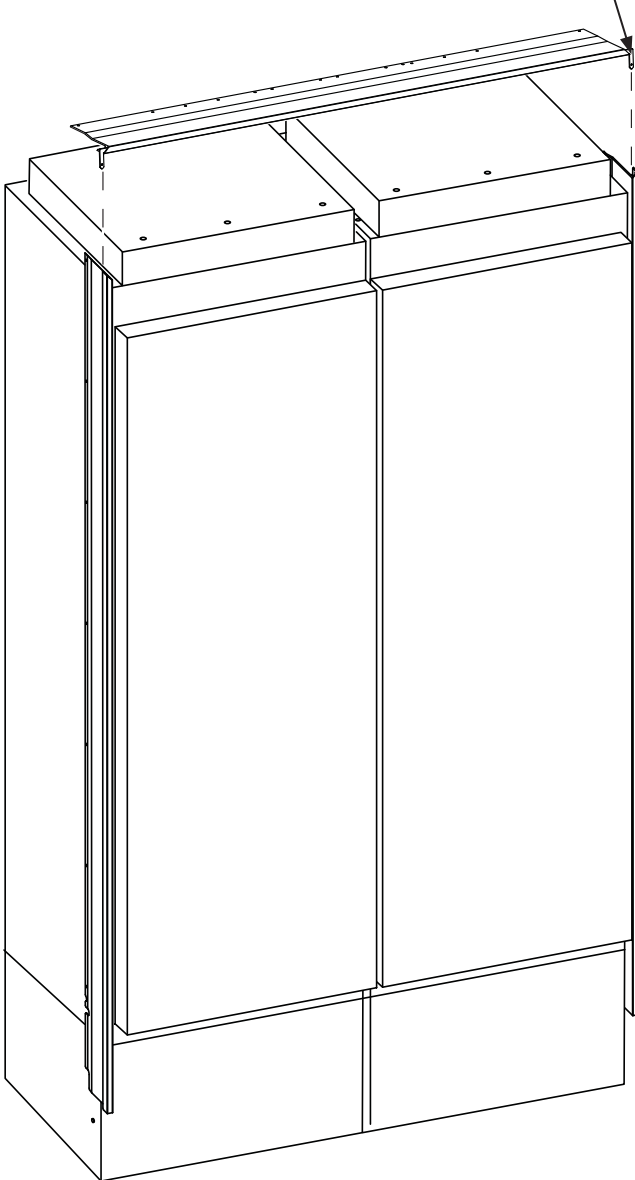
Instrucciones de Instalación - Instalación Dual Actualizada

PASO 5 UNIENDO LAS UNIDADES DUALES INSTALADAS (Cont.)

INSTALACIÓN DEL BORDE DE LA CAJA

- Encastre los rieles del borde superior con aquellos del borde lateral, deslizando los extremos expuestos del borde de la esquina en los rieles laterales del kit de bordes derecho e izquierdo. Presione hacia abajo sobre el borde superior hasta que cada esquina esté completamente apoyada en cada riel lateral. Use los tornillos de cabeza Phillips nº 6 para asegurar que cada llave de esquina esté bien ajustada a cada riel lateral del kit de bordes.

Moldura Superior Con Llaves



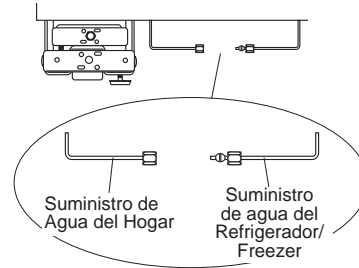
- Asegure el borde superior a la caja usando los tornillos de cabeza Phillips nº 8 provistos (6 tornillos).

PASO 6 CONEXIÓN DEL SUMINISTRO DE AGUA

⚠ ADVERTENCIA Realice la conexión a un suministro de agua potable únicamente. Se requiere un suministro de agua fría para el funcionamiento de la máquina de helos automática y de la jarra de llenado automático. La presión del agua deberá estar entre 40 y 120 p.s.i. (275 – 827 kPa).

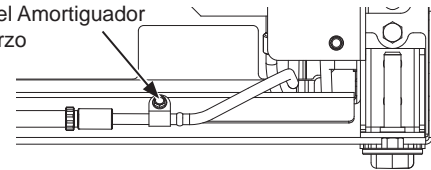
⚠ ADVERTENCIA PELIGRO DE DESCARGA ELÉCTRICA

Adhiera la abrazadera de la tubería usando el agujero existente únicamente. NO perforo el refrigerador.



- Encuentre y traiga la tubería al frente del gabinete.
- Abra y deje correr el agua para eliminar desechos de la tubería. Deje correr alrededor de un cuarto de galón de agua por la tubería a un balde, y luego cierre el suministro de agua.
- Retire el tornillo del amortiguador de refuerzo para que se afloje lo suficiente y poder realizar una adecuada conexión de agua. (El tornillo deberá ser reemplazado en el siguiente paso).

Tornillo del Amortiguador de Refuerzo



Tubería de Cobre:

- Coloque una tuerca de 1/4" y una abrazadera de refuerzo (provista) sobre ambos extremos de la tubería de cobre. Inserte la tubería en el accesorio de unión con la unidad y ajuste la tuerca a la unión.
- Abra el suministro de agua para controlar que no haya pérdidas.

Tubería SmartConnect™

NOTA: La única tubería plástica aprobada por GE Appliances es suministrada en los Kits de Tuberías para Refrigerador de SmartConnect™. No use ningún otro suministro de agua plástico, ya que el suministro se encuentra bajo presión en todo momento. Otros tipos de plásticos podrán sufrir fisuras o roturas con el paso del tiempo y ocasionar problemas con el agua en su hogar.

- Inserte el extremo moldeado de la tubería en la conexión del refrigerador o del freezer. Ajuste la tuerca de compresión hasta que quede fijada sólo con la presión manual.
- Siga las instrucciones provistas con la tubería. ¡Un ajuste excesivo podrá ocasionar pérdidas!
- Abra el suministro de agua para controlar que no haya pérdidas.

Instrucciones de Instalación - Instalación Dual Actualizada

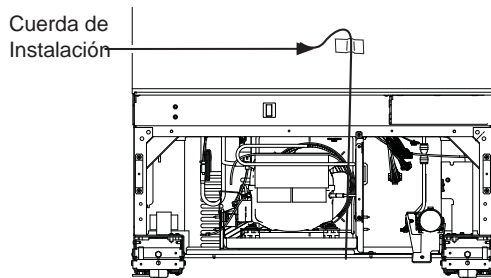
PASO 7 INSERCIÓN/ AJUSTE DEL BORDE DEL GABINETE

- Enchufe ambas unidades en el tomacorriente de la pared.

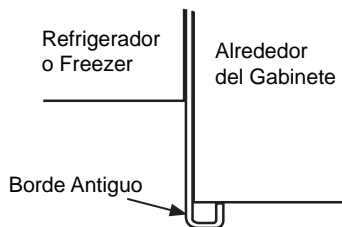
⚠ ADVERTENCIA Riesgo de Descarga

Eléctrica. A fin de reducir el riesgo de descarga eléctrica, tenga cuidado en los pasos restantes de la instalación de no tocar el cableado ni los componentes eléctricos dentro del compartimiento del compresor mientras el electrodoméstico está enchufado y la tapa de acceso frontal no está en su lugar.

- Busque la cuerda de instalación que está adherida a la puerta de la unidad; la misma deberá ser usada a medida que vuelve a empujar la unidad dentro de la abertura. La cuerda está adherida al cable de corriente; a medida que vuelve a colocar la unidad en la abertura, deberá tensar la cuerda para asegurarse de que el cable de corriente haga su recorrido por debajo de la unidad.



- Lentamente coloque ambas unidades en la abertura, asegurándose de no tocar los gabinetes a los costados y de detenerse para evitar daños. Ambas caras de la puerta deberán estar a 7/8" detrás de la cara frontal de los gabinetes circundantes en la instalación de un panel de acero inoxidable o personalizado.



⚠ ADVERTENCIA Riesgo de Caída

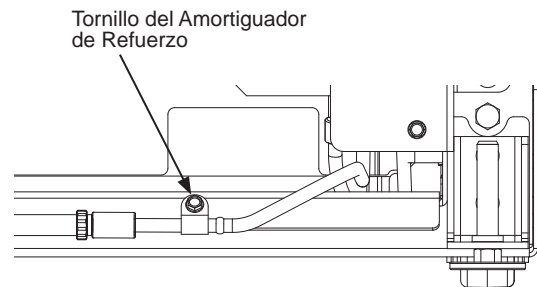
Estos electrodomésticos son inestables, especialmente cuando una puerta se encuentre abierta, y deben estar asegurados a fin de evitar caídas hacia adelante que podrían resultar en la muerte o en lesiones graves

- Coloque el cable de corriente sobre su extremo y empuje el mismo por debajo del producto entre las ruedecillas y lejos del soporte antivolcaduras, a fin de asegurar que el cable no sea dañado durante la instalación.

- Al volver a colocar la unidad en la abertura, usted deberá empujar el cable y tensar el mismo a fin de asegurar que el cable de corriente se encuentre canalizado debajo de la unidad.



- Reemplace el tornillo del amortiguador de refuerzo de la tubería de agua.



⚠ ADVERTENCIA Riesgo de Descarga

Eléctrica Reemplace el amortiguador de refuerzo de la tubería de agua frente a la ubicación del riel, como se muestra.

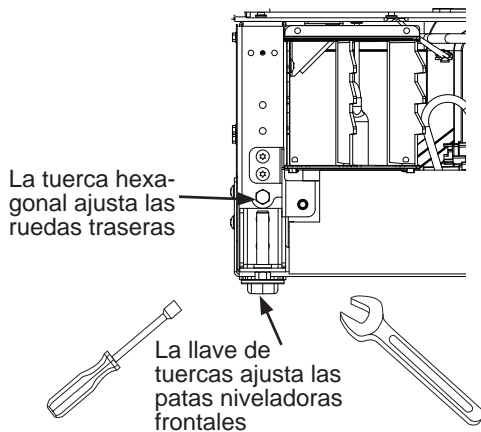
- Guarde la parte sobrante de la correa, de la cuerda, y de la tubería de agua debajo de la unidad.

Instrucciones de Instalación - Instalación Dual Actualizada

PASO 8 NIVELE LA UNIDAD

Todos los modelos cuentan con 4 puntos de nivelación. La parte frontal está apoyada sobre patas niveladoras; la parte trasera está apoyada sobre ruedas ajustables. Es posible acceder a ambas desde la parte frontal de la unidad.

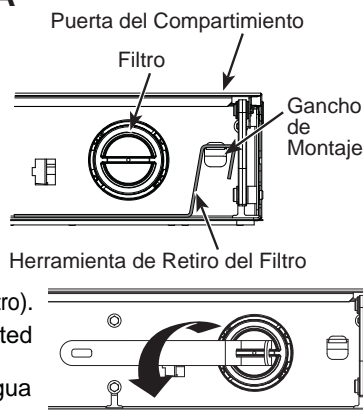
- A fin de nivelar la parte trasera de la unidad, gire la tuerca hexagonal de 7/16" que se encuentra ubicada sobre las ruedas frontales. Gire en dirección de las agujas del reloj para subir la unidad, y en contra de las agujas del reloj para bajar la misma.
- Para nivelar la parte frontal, use una llave de tuercas de 7/16".
- Ajuste la altura de la unidad para que coincida con la abertura del recorte de la instalación de 84". La unidad deberá estar nivelada de forma vertical entre los muebles de cocina.



AVISO: Las ruedas niveladoras traseras y las patas niveladoras frontales cuentan con un límite de ajuste de altura máxima de 1". Si en la instalación se requiere una altura superior a 84-1/2", el instalador deberá elevar el refrigerador sobre una lámina de contrachapado o tirantes. También se podrá agregar un ajuste a los gabinetes sobre la parte superior de la abertura, a fin de acortar esta última. Si intenta elevar la unidad más de 1", dañará las patas niveladoras frontales y las ruedas niveladoras traseras.

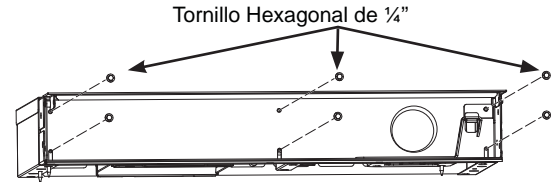
PASO 9 PREPARACIÓN FINAL DE LA UNIDAD EXTERNA

- Abra la tapa frontal de la carcasa a 90°. Ubique el filtro y la herramienta de retiro del filtro. El filtro deberá aparecer como se muestra.
- Dé al filtro ¼ de giro en sentido antihorario (si es necesario, use la herramienta de retiro del filtro).
- Empuje el filtro hacia usted para retirar el mismo. **NOTA:** El sistema de agua no funcionará si el filtro no está ubicado en su posición.

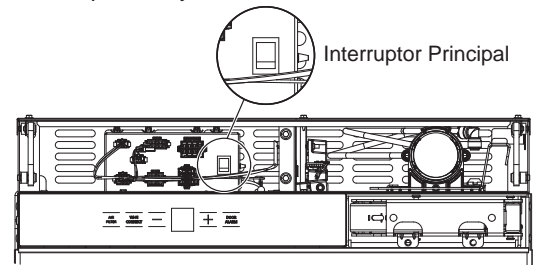


PASO 9 PREPARACIÓN FINAL DE LA UNIDAD EXTERNA (Cont.)

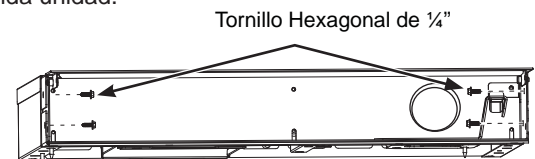
- Asegúrese de que las luces se encuentren encendidas dentro de la unidad. Si no están encendidas, controle para asegurarse de que el interruptor general se encuentra encendido retirando la carcasa frontal, la cual se encuentra asegurada con seis tornillos hexagonales de 1/4".



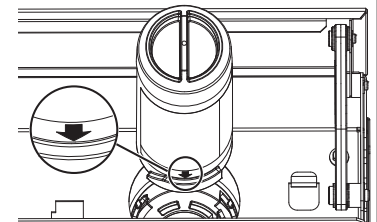
- Encienda el interruptor general si no se encuentra encendido. Los Cables de Interruptor General están escondidos para mayor claridad.



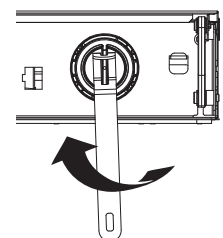
- Ensamble la carcasa con los tornillos retirados.
- Haga marcas de agujeros de 1/16" a ambos lados de la profundidad de 1/2" circundante a través de los agujeros de la carcasa.
- Asegure la unidad colocando cuatro agujeros hexagonales de ¼" a ambos lados del gabinete circundante. **NOTA:** Este paso NO reemplaza los materiales de seguridad anti volcaduras. Consulte el Paso 4 sobre la Instalación del Soporte Anti Volcaduras y el Paso 7 sobre Inserción/ Ajuste Alrededor del Gabinete para más detalles sobre cómo instalar los materiales anti volcaduras. Repite esto con la segunda unidad.



- Ubique la flecha azul del filtro. Gire el filtro para alinear la flecha como se muestra.
- Inserte el filtro en su posición y dé al mismo ¼ de giro en sentido horario (si es necesario, use la herramienta de retiro del filtro).



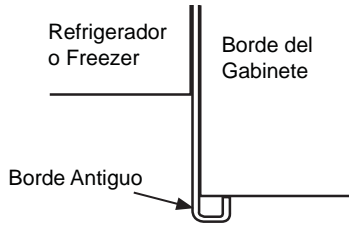
- Vuelva a colocar la herramienta de retiro del filtro en el gancho de montaje.
- Cierre la puerta del compartimiento.



Instrucciones de Instalación - Instalación Dual Actualizada

PASO 9 PREPARACIÓN FINAL DE LA UNIDAD EXTERNA (Cont.)

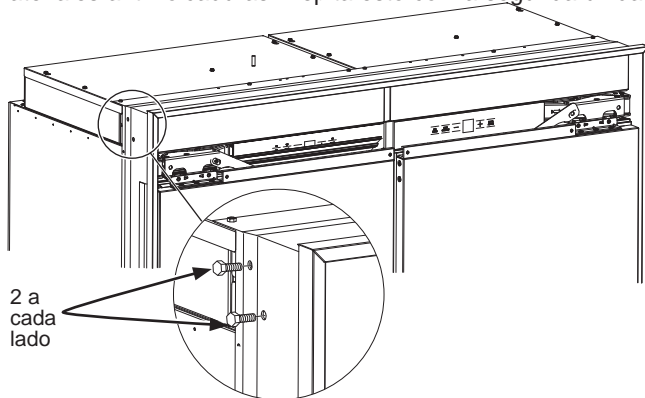
- Para una correcta colocación de la caja luego de la nivelación, el lado trasero de la parte superior y el lateral de los bordes antiguos deberán estar nivelados con el borde del gabinete.



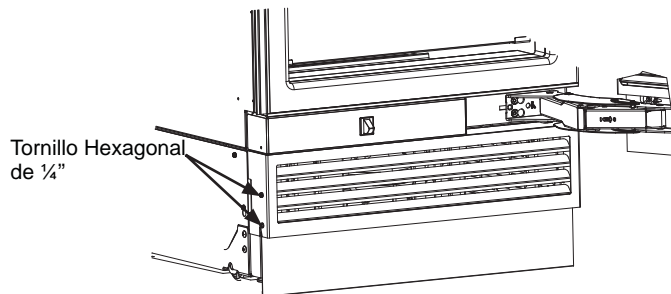
- Asegure los bordes a los gabinetes que están alrededor a fin de reducir cualquier movimiento excesivo sobre la parte superior de la carcasa durante el funcionamiento normal.

1. Haga agujeros piloto de 1/16" en el borde de una profundidad de 1/2" (2 por lado; consulte la imagen para conocer las ubicaciones aproximadas).
2. Coloque los tornillos de madera de cabeza Phillips nº 6 en los agujeros piloto.

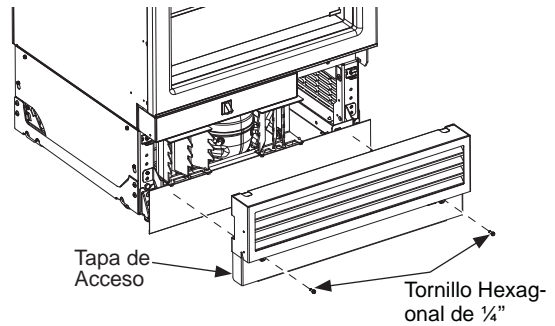
NOTA: Este paso NO reemplaza los materiales de seguridad anti volcaduras. Consulte el Paso 4 sobre la Instalación del Soporte Anti Volcaduras y el Paso 7 sobre Inserción/ Ajuste del Borde del Gabinete para más detalles sobre cómo instalar los materiales anti volcaduras. Repita esto con la segunda unidad.



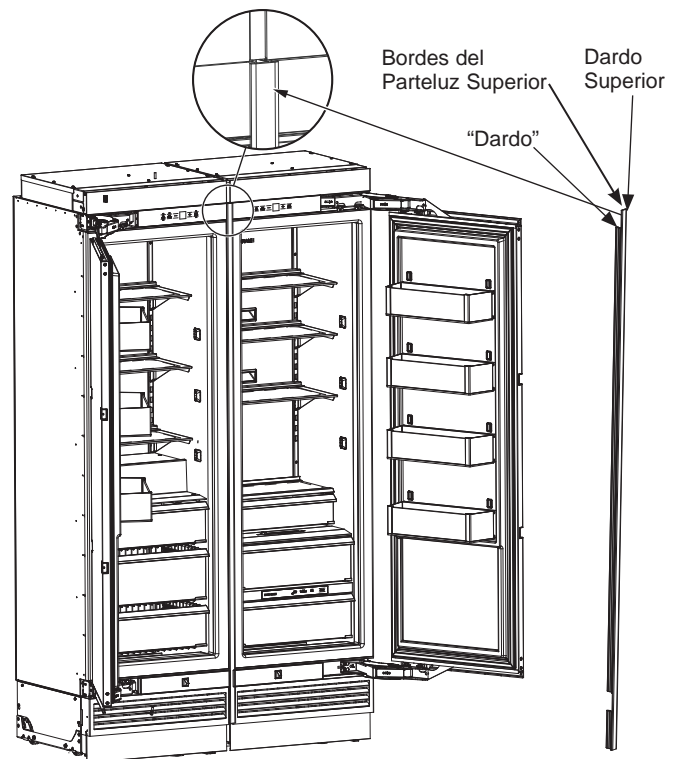
- Verifique que los dos tornillos con cabeza hexagonal de 1/4" se encuentren ensamblados a los costados de las manijas de los productos, tanto de las columnas de comidas frescas como del freezer.



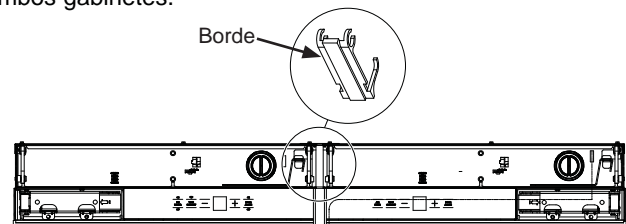
- Vuelva a colocar la tapa de acceso en la unidad y asegure la misma con dos tornillos de cabeza hexagonal de 1/4".



- Instale el parteluz frontal y acceda a los bordes de las tapas entre las 2 unidades. Abra las puertas y empuje el área flexible de "dardos" de los bordes hasta su posición entre las unidades.



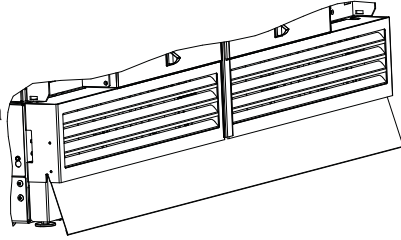
- El dardo superior del montante se deberá alinear con el extremo inferior del borde de la carcasa.
- Abra ambas puertas de acceso al filtro de agua a 90°.
- Calce el borde sobre los ensambles de las bisagras de ambos gabinetes.



Instrucciones de Instalación - Instalación Dual Actualizada

PASO 10 INSTALACIÓN DEL ZÓCALO

- Inserte el zócalo en la ranura sobre la Tapa de Acceso Frontal, rotando el mismo hacia usted.
- Presione la parte inferior del zócalo hacia el producto y deslice el mismo hasta su posición.



PASO 11 PREPARACIÓN DE LA UNIDAD INTERNA

- Retire toda la cita, cartón y gomaespuma de cada unidad (los soportes de la gomaespuma del embalaje podrán estar ubicados detrás de los laterales izquierdo y derecho de los frentes de los paneles de vidrio en los modelos de refrigerador).
- Retire de los estantes los cestos de puertas en cajas.
- Retire de la caja e instale los cestos de puerta.
- Instale los tapetes de los cestos de puerta.

PASO 12 INICIE LA MÁQUINA DE HIELOS (modelos con freezer)

⚠ PRECAUCIÓN

Para minimizar el riesgo de lesiones personales, evite el contacto con las partes móviles del mecanismo eyector o con el elemento de calefacción que libera los cubos. No coloque los dedos ni las manos en el mecanismo de la máquina de hielo automática mientras el electrodoméstico se encuentre enchufado.

Puede llevar entre 12 y 24 horas que un freezer recién instalado comience a fabricar hielo.

La máquina de hielos producirá siete cubos por ciclo - aproximadamente 15 ciclos en un período de 24 horas - dependiendo de la temperatura del compartimiento del freezer, la temperatura ambiente, la cantidad de veces que se abra la puerta y otras condiciones de uso.

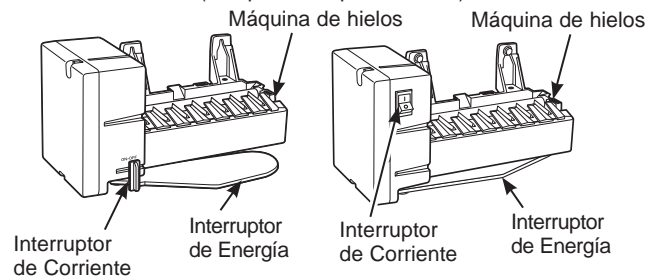
Si el freezer se utiliza antes de realizar la conexión del agua a la máquina de hielos, configure la máquina de hielos en **OFF** (Apagado). La canasta del cable superior deberá ser retirada para acceder al interruptor de corriente de la máquina de hielos.

Cuando el refrigerador haya sido conectado al suministro de agua, ajuste el interruptor de corriente en la posición **ON** (Encendido).

Descarte la primera cubitera de hielo para permitir que el suministro de agua se limpie.

Asegúrese de que nada interfiera con la extensión del interruptor de energía.

(La apariencia puede variar)



Cuando la cubitera se llene hasta el nivel del interruptor de energía, la máquina de hielos dejará de producir hielo.

Es normal que varios de los cubos queden juntos.

Si el hielo no se usa con frecuencia, los cubos de hielo viejos se volverán turbios, con sabor rancio y su tamaño se reducirá.

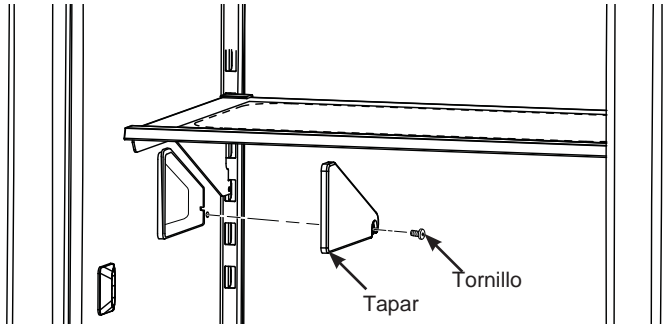
NOTA: La máquina de hielos funciona mejor con una presión hogareña de agua de entre 40 y 120 PSI (275-827 kPa).

Instrucciones de Instalación - Instalación Dual Actualizada

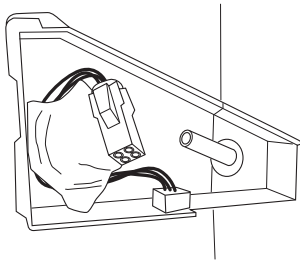
PASO 13 INSTALE EL ENSAMBLE DE LA JARRA DE LLENADO AUTOMÁTICO

(Algunos Modelos con Refrigerador)

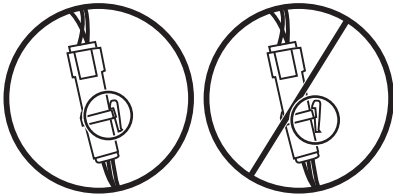
- Ubique la tapa de la jarra de llenado automático del lado izquierdo del interior del refrigerador. Retire el tornillo Torx T20 que sostiene la tapa en su posición hacia la parte trasera de la tapa. Retenga este tornillo para adherir el ensamble del llenado automático.



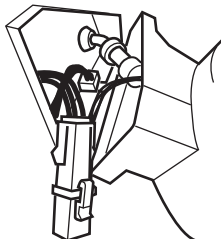
- Deslice la tapa hacia adelante para retirar la misma. Esto revela un conector eléctrico y un tubo de agua.



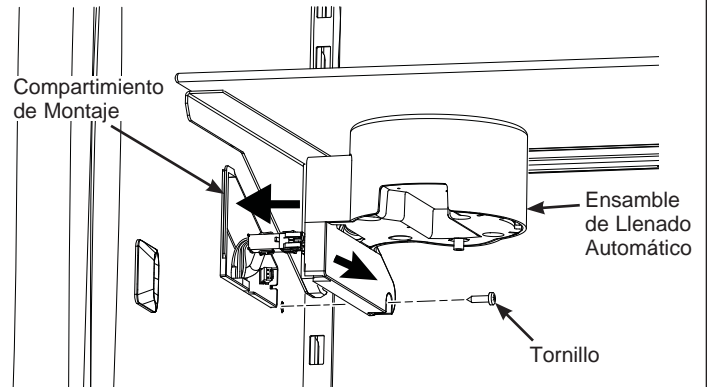
- Retire el ensamble de llenado automático de la caja. Conecte el conector de 4 pernos del ensamble de llenado automático al conector de la pared del compartimiento.



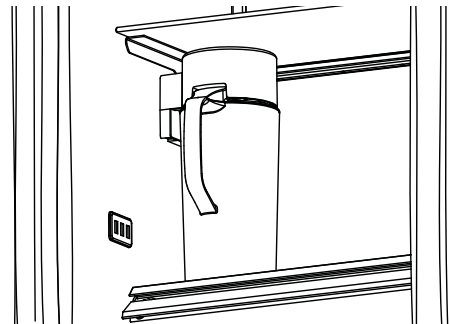
- Asegúrese de que la lengüeta de bloque del conector esté completamente adherida.
- Conecte el accesorio de la tubería de agua desde el ensamble de llenado automático a la tubería de agua ubicada en el compartimiento. Asegúrese de que la tubería de agua esté firmemente conectada y que no se desajuste con facilidad. La tubería de agua deberá estar insertada en la marca de la tubería.



- Oculte los cables y la tubería dentro del compartimiento de la pared y coloque el ensamble de pared de llenado automático en el extremo delantero del montaje, hasta que esté nivelado con la pared interior del refrigerador. Deslice el ensamble hacia la pared trasera hasta que el agujero del tornillo de montaje esté visible.



- Asegure el ensamble de llenado automático con el tornillo Torx T20 retirado previamente.
- Asegúrese de que el suministro de agua esté conectado al refrigerador antes de avanzar con el procedimiento.
- Alinee la tapa de la jarra con la guía del dispensador y deslice la jarra hacia la parte trasera del refrigerador hasta que se detenga. Es posible que haya un tiempo de respuesta de hasta 5 segundos hasta que el agua comience a llenar la jarra.



- El agua llenará la jarra hasta que alcance un nivel específico y luego se cerrará. Es normal que el nivel del agua se encuentre por debajo de la parte superior de la jarra.

NOTA: Luego de instalar la jarra de llenado automático, deje correr 2 galones de agua (aproximadamente 5 jarras llenas) a través del dispensador de llenado automático para retirar el aire del sistema. Un cartucho del filtro instalado de forma reciente hará que el agua chorree y gotee hasta que el aire se encuentre fuera del sistema. Es normal que el agua se vea descolorida durante el flujo inicial del sistema. El color del agua regresará a su estado normal luego de unos pocos minutos de comenzar a dispensar. Lave la jarra de llenado automático y la tapa luego de la depuración inicial antes del uso.

NOTA: No coloque la jarra en la guía del dispensador antes de que se realice la conexión del agua al refrigerador.

Instrucciones para una Instalación

Integrada Simple

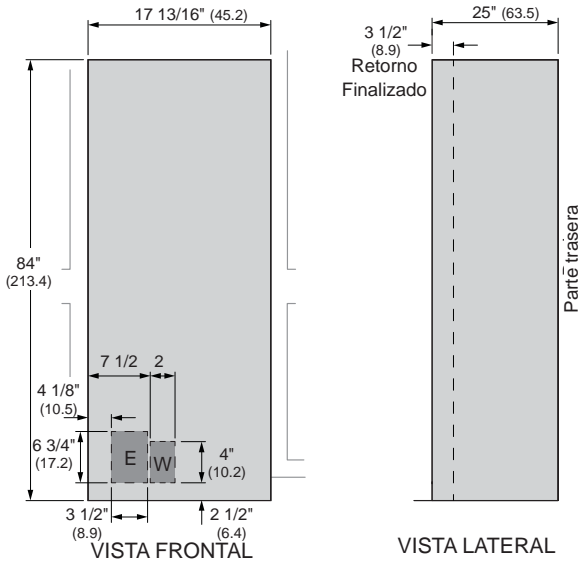
**Instalación en una construcción nueva con aberturas de 25”
de profundidad**

Guía de Diseño – Instalación Integrada Simple

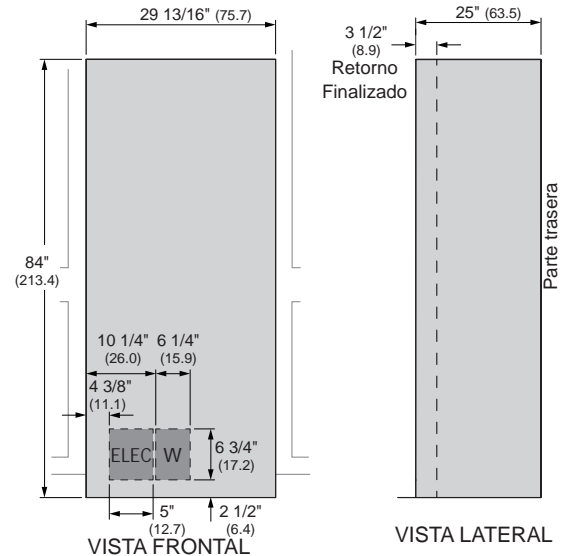
ESPACIO DE INSTALACIÓN INTEGRADO SIMPLE

Las dimensiones que aparecen entre paréntesis están expresadas en centímetros.

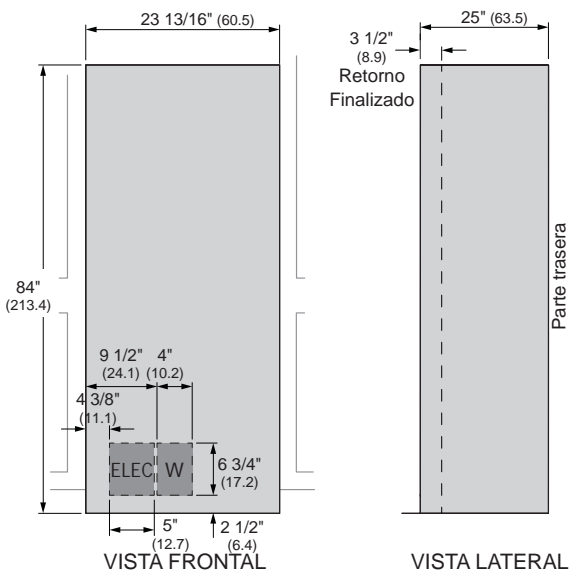
Freezer Integrado de 18"



Freezer y Refrigerador Integrado de 30"



Freezer y Refrigerador Integrado de 24"



Espacios Libres del Producto

Estas unidades están equipadas con un dispositivo de detención de la puerta de 2 posiciones. El giro de la puerta de 115° original de fábrica se podrá ajustar a 90° si el espacio libre hasta los gabinetes adyacentes o paredes es restringido.

Para un giro de puerta de 90°, deje un espacio libre mínimo de 4" (10.2 cm) hasta una pared.

Cuando se instale en una esquina, deje 15" (38.1 cm) para una apertura de puerta completa de 115° en los modelos de 18" y 24". Deje 16 1/2" (41.9 cm) en los modelos de 30".

Ubicaciones de Agua y Electricidad

Los suministros eléctricos y de agua deberán ser ubicados como se muestra.

La Profundidad del Recorte Deberá Ser de 25"

Especificaciones adicionales

- Se requiere un suministro de corriente aparte de 115 voltios, 60Hz., y 15 o 20 amperes para cada producto. Se recomienda el uso de un circuito individual derivado o un disyuntor correctamente conectado a tierra. Instale un receptáculo eléctrico de 3 patas correctamente conectado a tierra en la pared trasera. El receptáculo eléctrico deberá estar ubicado en la pared trasera como se muestra.
- La tubería de agua deberá estar ubicada en la pared trasera, como se muestra. La tubería de agua deberá ser de cobre y tener un diámetro externo de 1/4" o ser del kit QuickConnect™ (WX08X10006) entre la tubería de agua fría y la ubicación de la conexión de agua, siendo lo suficientemente larga como para alcanzar el frente de la unidad (8' [2.4m]). Se requiere la instalación de una válvula de cierre fácilmente accesible en la tubería de agua.
- Se recomienda un retorno finalizado mínimo de 3 1/2" que coincida con el gabinete exterior en la parte interna sobre todos los laterales y la parte superior del frente de la abertura.
- Instalación con 4" (10.2 cm) o menos entre las unidades que requieren el Kit ZKUN.

Instrucciones de Instalación - Instalación Integrada Simple

UBICACIÓN DEL REFRIGERADOR/ FREEZER

- No instale el refrigerador/ freezer en lugares donde la temperatura sea inferior a los 55°F (13°C). Éste no funcionará con la frecuencia suficiente como para mantener las temperaturas apropiadas.
- No instale el refrigerador/ freezer en lugares donde la temperatura sea superior a los 100°F (37°C). Éste no funcionará correctamente.
- No instale el refrigerador/ freezer en una ubicación expuesta al agua (lluvia, etc.) o en contacto directo con la luz solar.
- Instale el mismo en un piso lo suficientemente fuerte como para soportarlo completamente cargado.

HERRAMIENTAS Y MATERIALES NECESARIOS

- Tijeras de podar metálicas
- Destornillador Phillips nn2
- Destornillador con punta plana
- Espátula
- Cinta de medición
- Taladro y brocas de 1/16", 5/64", 3/16", 1/2"
- Broca de concreto de 5/32" (si instalará el soporte anti volcaduras en el concreto)
- Destornillador/ ficha de 1/4", 3/8", 7/16"
- Llave de tuercas de 7/16"
- Destornillador/ broca T20, T30
- Destornillador hexagonal de 1/8", 1/4" (llave Allen)
- Nivel
- Válvulas de cierre de agua (opcional pero recomendada)
- Línea de flotación de 8' (una por unidad requiriendo conexiones domésticas de agua)
- Cinta adhesiva
- Alcohol desinfectante
- Llave de ajuste
- Punzón
- Kit de Unificación del Calentador (ZKUN) (sólo requerido con 4" o menos entre unidades)
- Kits de Puertas de Acero Inoxidable (si corresponde)
- Paneles a medida para puertas (si corresponde)
- Kits de manijas (si corresponde)
- Trinquete Pequeño

MATERIALES SUMINISTRADOS (por unidad)

- Enchufe del Bypass del Filtro de Agua (si está equipado con el mismo)
- Filtro de Aire (Si está equipado con el mismo)
- Soporte Anti volcaduras
- 3 Tornillos tirafondos
- 3 Tornillos Tapcon
- 3 Tornillos con resorte
- 1 Pasador de Chaveta
- 1 Perno de retención
- Plantillas de instalación del panel
- 2 Molduras de puerta
- 2 Soportes de paneles de puerta
- Conjuntos de tornillos
- #Tornillos de madera con cabeza Phillips nº 6
- Parte Superior de la Carcasa del Soporte de la Puerta
- Tornillos T30
- 1 Perno limitador de bisagra
- Soporte del panel de la puerta central
- Tornillo Hi-Lo y arandela cuadrada
- Tapa de Acceso
- Tornillos pintados de la tapa de acceso

CONEXIÓN A TIERRA DE LA UNIDAD

⚠ ADVERTENCIA  **Riesgo de Descarga**
Si no se siguen estas instrucciones, se podrá producir la muerte, incendios o descargas eléctricas.

El cable de corriente de este electrodoméstico cuenta con un enchufe de 3 cables (conexión a tierra) que se conecta a un tomacorriente de pared estándar de 3 cables (conexión a tierra) para minimizar el riesgo de posibles descargas eléctricas por parte del mismo.

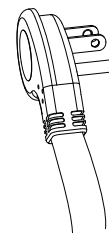
Contrate a un electricista calificado para que controle el tomacorriente y el circuito eléctrico, a fin de asegurar que el enchufe esté correctamente conectado a tierra.

En caso de contar con un tomacorriente de pared de 2 cables, es su responsabilidad y obligación reemplazarlo por un tomacorriente de pared de 3 cables correctamente conectado a tierra.

NUNCA, BAJO NINGUNA CIRCUNSTANCIA, CORTE NI ELIMINE EL TERCER CABLE (TIERRA) DEL CABLE DE CORRIENTE.

NO USE UN ENCHUFE ADAPTADOR PARA CONECTAR EL REFRIGERADOR A UN TOMACORRIENTE DE 2 PATAS.

NO USE UN PROLONGADOR CON ESTE ELECTRODOMÉSTICO.



PISO

Para una instalación correcta, este producto se deberá ubicar en una superficie nivelada de material duro que posea la misma altura en el resto del piso. Esta superficie deberá ser lo suficientemente fuerte como para resistir el peso de un refrigerador o freezer totalmente cargado, o aproximadamente 1,200 libras por unidad.

NOTA: Proteja el acabado del piso..

NOTA: No recomendado para instalación en pisos alfombrados.

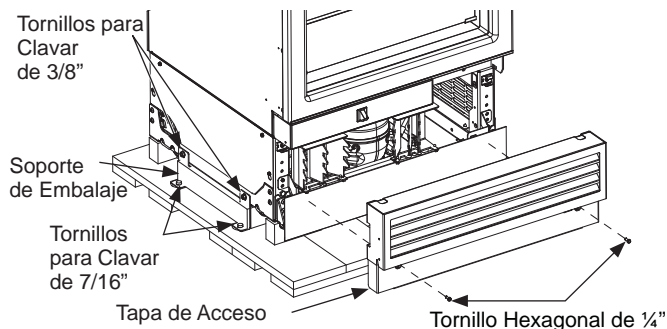
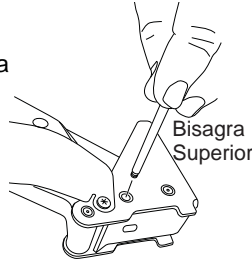
Instrucciones de Instalación - Instalación Integrada Simple

PASO 1 RETIRE EL EMBALAJE

⚠ ADVERTENCIA Riesgo de Caída.

Este electrodoméstico es inestable. Tenga extremo cuidado al moverlo, a fin de evitar caídas hacia adelante que podrían resultar en la muerte o lesiones graves.

- Retire el cartón externo y el embalaje externo de las unidades.
- Controle que no haya daños.
- Si la instalación requerirá que la apertura de la puerta sea invertida, siga estas instrucciones en la sección de Inversión de la Apertura de la Puerta ANTES de que la unidad sea retirada de la superficie antideslizante.
- Asegúrese de que el piso donde las unidades se encuentran apoyadas esté despejado/ libre de escombros que podrían ser arrastrados o pellizcados frente a las ruedas y dañando así el piso. De forma adicional, se recomienda que el piso esté protegido por una cobertura plástica a través del proceso de instalación.
- Retire el kit de materiales del cajón superior.
- Si la instalación requiere una apertura de puerta de 90°, el perno limitador de la bisagra deberá ser instalado en la bisagra superior ANTES de que la unidad sea retirada de la superficie antideslizante. El perno está ubicado en el kit de materiales.
 - Abra la puerta a aproximadamente 45°, pero a no más de 90°, a fin de exponer el agujero en el soporte de la bisagra trasera e instale el perno limitador. El perno deberá estar completamente colocado en el soporte o la puerta no se cerrará de forma apropiada.
- Retire la tapa de acceso frontal de la unidad, retirando los dos tornillos de cabeza hexagonal de 1/4". Coloque la tapa y los tornillos al costado para una instalación futura.



- Retire tres tornillos para clavar de 3/8" y dos tornillos para clavar de 7/16" de cada lado de la unidad, a fin de liberar la misma de la superficie antideslizante. Incline la unidad desde el costado lo suficiente como para retirar el material de embalaje de la parte inferior de la unidad, pero sobre la superficie antideslizante (ambos lados).
- CON CUIDADO haga rodar la unidad fuera de la parte trasera de la superficie antideslizante.
- Sostenga la misma sólo de un lado con un carro manual.

PASO 2 INSTALE EL SUMINISTRO DE AGUA

⚠ ADVERTENCIA Realice la conexión a un suministro de agua potable únicamente. Se requiere un suministro de agua fría para el funcionamiento de la máquina de helos automática y de la jarra de llenado automático. La presión del agua deberá estar entre 40 y 120 p.s.i. (275 – 827 kPa).

⚠ ADVERTENCIA PELIGRO DE DESCARGA ELÉCTRICA

Adhiera la abrazadera de la tubería usando el agujero existente únicamente. NO perforo el refrigerador.

Cierre el suministro principal de agua.

Abra el grifo más cercano durante el tiempo suficiente como para despejar la tubería de agua.

- Instale una válvula de cierre entre la válvula de agua y la tubería de agua fría en un sótano o gabinete. **La válvula de cierre deberá ser ubicada donde estará fácilmente accesible.**
- Abra el suministro principal de agua y deje correr la suciedad. Deje correr aproximadamente un cuarto de galón de agua a través de la tubería a un balde. Cierre el suministro de agua desde la válvula de cierre.

NOTA: Las válvulas de cierre tipo montura están incluidas en algunos kits de suministro de agua. Antes de su adquisición, asegúrese de que la válvula tipo montura cumpla con los códigos de plomería locales.

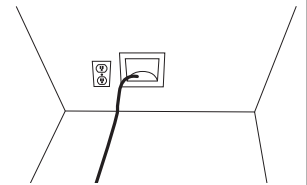
NOTA: Se deberá cumplir con los Códigos de Plomería del Commonwealth de Massachusetts 248CMR. Las válvulas tipo montura son ilegales y su uso está prohibido en Massachusetts. Consulte a un plomero matriculado.

- Haga circular una tubería de cobre de un diámetro externo de 1/4" o SmartConnect™ (WX08X10006) entre el suministro de agua fría de la casa y la ubicación de la conexión de agua en el frente de la unidad.

Los Kits de Tubería para Refrigeradores SmartConnect™ están disponibles. Una tubería de agua de 8' (2.4m) (WX08X10006) es necesaria para cada unidad. La tubería(s) de agua se adherirá al piso usando una cinta adhesiva luego de la instalación del soporte anti volcaduras.

- La tubería deberá ser de una extensión suficiente como para llegar hasta el frente de la unidad. Deje una cantidad de tubería suficiente como para hacer una inclinación que llegue hasta la conexión de la tubería de agua. La unidad deberá estar inclinada hacia un costado para conducir la tubería de agua por debajo y hacia el frente del electrodoméstico.

NOTA: La única tubería plástica aprobada por GE Appliances es suministrada en los Kits de Tuberías para Refrigerador de SmartConnect™. No use ningún otro suministro de agua plástico, ya que el suministro se encuentra bajo presión en todo momento. Otros tipos de plásticos podrán sufrir fisuras o roturas con el paso del tiempo y ocasionar problemas con el agua en su hogar.



Instrucciones de Instalación - Instalación Integrada Simple

PASO 3 PREPARACIÓN DE LA UNIDAD PARA SU INSTALACIÓN

- Coloque la unidad con apertura del lado derecho frente a la apertura de instalación, de modo que la unidad se encuentre frente a la ubicación de instalación esperada.

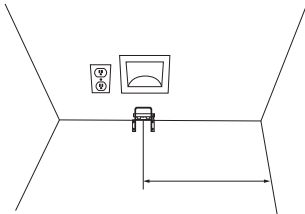
PASO 4 INSTALACIÓN DEL SOPORTE ANTI VOLCADURAS

⚠ ADVERTENCIA Riesgo de

Caídas Estos electrodomésticos son inestables, especialmente cuando una puerta se encuentre abierta, y deben estar asegurados a fin de evitar caídas hacia adelante que podrían resultar en la muerte o en lesiones graves. Lea y siga las instrucciones de instalación en su totalidad para asegurar el electrodoméstico con el sistema anti volcaduras.

- Retire el soporte anti volcaduras del kit de materiales.
- El soporte anti volcaduras deberá ser montado contra la pared trasera o hasta un máximo de 25-1/2" (64.7 cm) desde el frente de la abertura. Use el método de montaje sobre el piso si el soporte no se encuentra contra una pared (el material del soporte es provisto para el montaje en madera, travesaños de acero y concreto).

Unidad	Desde la Cámara
18"	8-7/8" (22.5 cm)
24"	5-3/4" (14.6 cm)
30"	5-3/4" (14.6 cm)

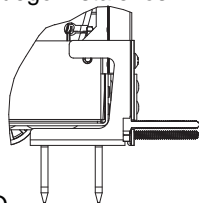


- Mida y marque desde el lado derecha de la apertura de acuerdo con la tabla, dependiendo del tamaño de la unidad que esté instalando.
- Monte el soporte anti volcaduras centrado en torno a las marcas y la alineación con el piso, como se muestra. Marque los 3 agujeros para el montaje en la pared o los 4 agujeros para el montaje en el piso.

MONTAJE SOBRE MADERA: Haga marcas con una broca de 3/16", de 2" de profundidad, y luego instale los tirafondos con un destornillador de 7/16".

MONTAJE SOBRE CONCRETO: Haga marcas con una broca de 5/32", de 2" de profundidad, y luego instale los tornillos tapcon con un destornillador de 7/16".

MONTAJE SOBRE ACERO: Haga marcas con una broca de 1/2", inserte el tornillo con resorte, y luego instale los tornillos con un destornillador de 7/16".

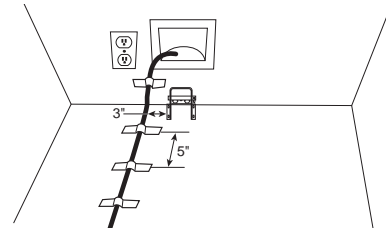


El soporte deberá ser atornillado al PISO o a la PARED TRASERA.

- Si el espacio de protección supera los 25 1/2", el soporte antivolcaduras se deberá asegurar en el piso a 25" desde el frente del espacio de protección.

PASO 4 INSTALACIÓN DEL SOPORTE ANTI VOLCADURAS(Cont.)

Encinte la tubería de agua a la pared y al piso aproximadamente 3" hacia la izquierda del soporte anti volcaduras. Aplique cinta cada 5" hacia el frente de la abertura (la cinta evitará que la unidad ruede sobre la tubería de agua durante la instalación). No coloque cinta cerca del frente del gabinete, a fin de mantener la cinta oculta debajo de la unidad.

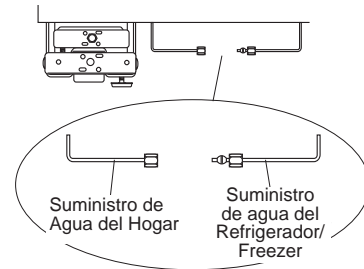


PASO 5 CONEXIÓN DEL SUMINISTRO DE AGUA

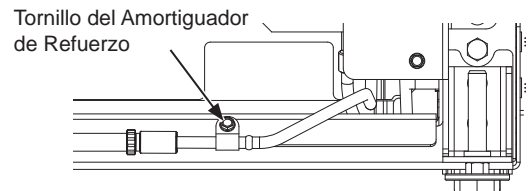
⚠ ADVERTENCIA Realice la conexión a un suministro de agua potable únicamente. Se requiere un suministro de agua fría para el funcionamiento de la máquina de hielos automática y de la jarra de llenado automático. La presión del agua deberá estar entre 40 y 120 p.s.i. (275 – 827 kPa).

⚠ ADVERTENCIA  PELIGRO DE DESCARGA ELÉCTRICA

Adhiera la abrazadera de la tubería usando el agujero existente únicamente. NO perforo el refrigerador.



- Encuentre y traiga la tubería al frente del gabinete.
- Abra y deje correr el agua para eliminar desechos de la tubería. Deje correr alrededor de un cuarto de galón de agua por la tubería a un balde, y luego cierre el suministro de agua.
- Retire el tornillo del amortiguador de refuerzo para que se afloje lo suficiente y poder realizar una adecuada conexión de agua. (El tornillo deberá ser reemplazado en el siguiente paso).



Instrucciones de Instalación - Instalación Integrada Simple

PASO 5 CONEXIÓN DEL SUMINISTRO DE AGUA (cont.)

Tubería de Cobre:

- Coloque una tuerca de 1/4" y una abrazadera de refuerzo (provista) sobre ambos extremos de la tubería de cobre. Inserte la tubería en el accesorio de unión con la unidad y ajuste la tuerca a la unión.
- Abra el suministro de agua para controlar que no haya pérdidas.

Tubería SmartConnect™

NOTA: La única tubería plástica aprobada por GE Appliances es suministrada en los Kits de Tuberías para Refrigerador de SmartConnect™. No use ningún otro suministro de agua plástico, ya que el suministro se encuentra bajo presión en todo momento. Otros tipos de plásticos podrán sufrir fisuras o roturas con el paso del tiempo y ocasionar problemas con el agua en su hogar.

- Inserte el extremo moldeado de la tubería en la conexión del refrigerador o del freezer. Ajuste la tuerca de compresión hasta que quede fijada sólo con la presión manual.
- Siga las instrucciones provistas con la tubería. ¡Un ajuste excesivo podrá ocasionar pérdidas!
- Abra el suministro de agua para controlar que no haya pérdidas.

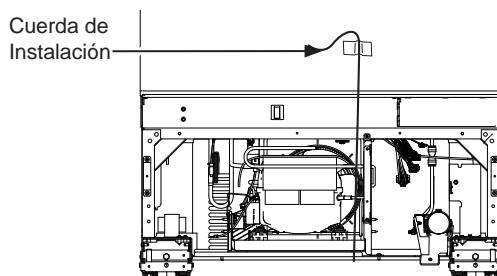
PASO 6 INSERCIÓN/ AJUSTE DEL BORDE DEL GABINETE

- Enchufe ambas unidades en el tomacorriente de la pared.

⚠ ADVERTENCIA Riesgo de Descarga Eléctrica

Eléctrica. A fin de reducir el riesgo de descarga eléctrica, tenga cuidado en los pasos restantes de la instalación de no tocar el cableado ni los componentes eléctricos dentro del compartimiento del compresor mientras el electrodoméstico está enchufado y la tapa de acceso frontal no está en su lugar.

- Busque la cuerda de instalación que está adherida a la puerta de la unidad; la misma deberá ser usada a medida que vuelve a empujar la unidad dentro de la abertura. La cuerda está adherida al cable de corriente; a medida que vuelve a colocar la unidad en la abertura, deberá tensar la cuerda para asegurarse de que el cable de corriente haga su recorrido por debajo de la unidad.



PASO 6 INSERCIÓN/ AJUSTE DEL BORDE DEL GABINETE (cont.)

- Lentamente coloque ambas unidades en la abertura, asegurándose de no tocar los gabinetes a los costados y de detenerse para evitar daños. Ambas caras de la puerta deberán estar a 7/8" detrás de la cara frontal de los gabinetes circundantes en la instalación de un panel de acero inoxidable o personalizado.

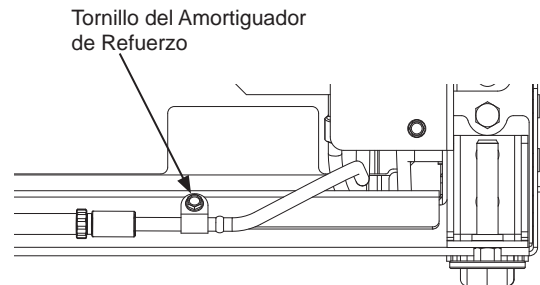
⚠ ADVERTENCIA Riesgo de Caída

Estos electrodomésticos son inestables, especialmente cuando una puerta se encuentre abierta, y deben estar asegurados a fin de evitar caídas hacia adelante que podrían resultar en la muerte o en lesiones graves

- Coloque el cable de corriente sobre su extremo y empuje el mismo por debajo del producto entre las ruedecillas y lejos del soporte antivolcaduras, a fin de asegurar que el cable no sea dañado durante la instalación.
- Al volver a colocar la unidad en la abertura, usted deberá empujar el cable y tensar el mismo a fin de asegurar que el cable de corriente se encuentre canalizado debajo de la unidad.



- Reemplace el tornillo del amortiguador de refuerzo de la tubería de agua.



⚠ ADVERTENCIA Riesgo de Descarga Eléctrica

Eléctrica Reemplace el amortiguador de refuerzo de la tubería de agua frente a la ubicación del riel, como se muestra.

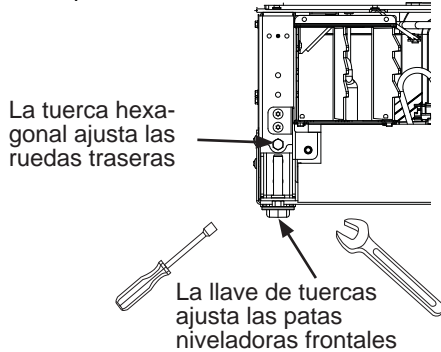
- Guarde la parte sobrante de la cuerda y de la tubería de agua debajo de la unidad.

Instrucciones de Instalación - Instalación Integrada Simple

PASO 7 NIVELE LA UNIDAD

Todos los modelos cuentan con 4 puntos de nivelación. La parte frontal está apoyada sobre patas niveladoras; la parte trasera está apoyada sobre ruedas ajustables. Es posible acceder a ambas desde la parte frontal de la unidad.

- A fin de nivelar la parte trasera de la unidad, gire la tuerca hexagonal de 7/16" que se encuentra ubicada sobre las ruedas frontales. Gire en dirección de las agujas del reloj para subir la unidad, y en contra de las agujas del reloj para bajar la misma.
- Para nivelar la parte frontal, use una llave de tuercas de 7/16".



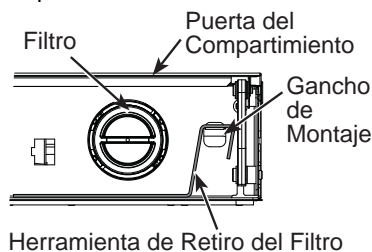
- Ajuste la altura de la unidad para que coincida con la abertura del recorte de la instalación de 84". La unidad deberá estar nivelada de forma vertical entre los muebles de cocina.

AVISO: Las ruedas niveladoras traseras y las patas niveladoras frontales cuentan con un límite de ajuste de altura máxima de 1". Si en la instalación se requiere una altura superior a 84-1/2", el instalador deberá elevar el refrigerador sobre una lámina de contrachapado o tirantes. También se podrá agregar un ajuste a los gabinetes sobre la parte superior de la abertura, a fin de acortar esta última. Si intenta elevar la unidad más de 1", dañará las patas niveladoras frontales y las ruedas niveladoras traseras.

PASO 8 PREPARACIÓN FINAL DE LA UNIDAD EXTERNA

PARA UNA INSTALACIÓN AL MISMO NIVEL: Asegúrese de que la superficie frontal de la puerta esté 7/8" detrás de la cara frontal de los gabinetes circundantes ANTES de asegurar los soportes a dichos gabinetes.

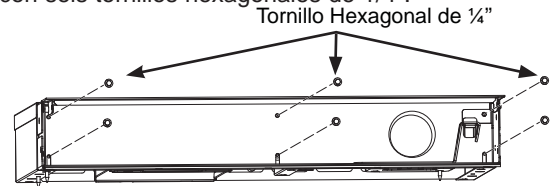
- Abra la tapa frontal de la carcasa a 90°. Ubique el filtro y la herramienta de retiro del filtro. El filtro deberá aparecer como se muestra.
- Dé al filtro 1/4 de giro en sentido antihorario (si es necesario, use la herramienta de retiro del filtro).



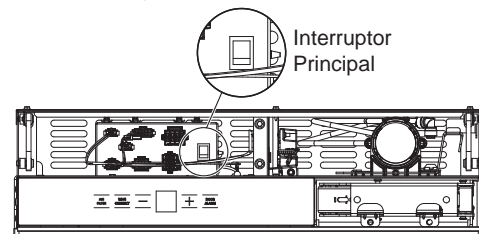
- Empuje el filtro hacia usted para retirar el mismo. **NOTA:** El sistema de agua no funcionará si el filtro no está ubicado en su posición.

PASO 8 PREPARACIÓN FINAL DE LA UNIDAD EXTERNA (Cont.)

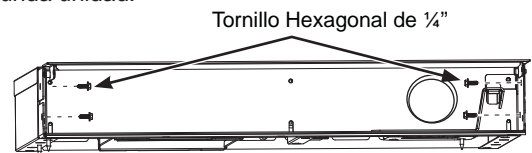
- Asegúrese de que las luces se encuentren encendidas dentro de la unidad. Si no están encendidas, controle para asegurarse de que el interruptor general está encendido retirando la carcasa frontal, la cual se encuentra asegurada con seis tornillos hexagonales de 1/4".



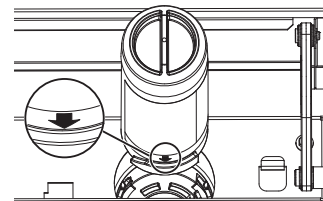
- Encienda el interruptor general si no se encuentra encendido. Los Cables de Interruptor General están escondidos para mayor claridad.



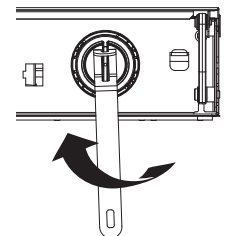
- Ensamble la carcasa con los tornillos retirados.
- Haga marcas de agujeros de 1/16" a ambos lados de la profundidad de 1/2" circundante a través de los agujeros de la carcasa.
- Asegure la unidad colocando cuatro agujeros hexagonales de 1/4" a ambos lados del gabinete circundante. **NOTA:** Este paso NO reemplaza los materiales de seguridad anti volcaduras. Consulte el Paso 4 sobre la Instalación del Soporte Anti Volcaduras y el Paso 7 sobre Inserción/ Ajuste Alrededor del Gabinete para más detalles sobre cómo instalar los materiales anti volcaduras. Repite esto con la segunda unidad.



- Ubique la flecha azul del filtro. Gire el filtro para alinear la flecha como se muestra.



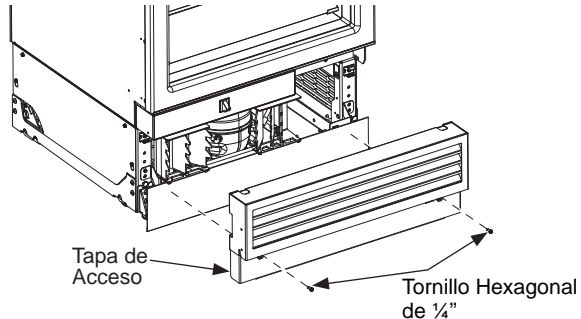
- Inserte el filtro en su posición y dé al mismo 1/4 de giro en sentido horario (si es necesario, use la herramienta de retiro del filtro).
- Vuelva a colocar la herramienta de retiro del filtro en el gancho de montaje.
- Cierre la puerta del compartimiento.



Instrucciones de Instalación - Instalación Integrada Simple

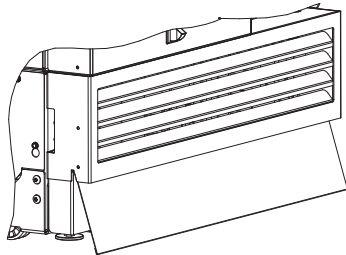
PASO 8 PREPARACIÓN FINAL DE LA UNIDAD EXTERNA (Cont.)

- Vuelva a colocar la tapa de acceso en la unidad y asegure la misma con dos tornillos de cabeza hexagonal de ¼".



PASO 9 INSTALACIÓN DEL ZÓCALO

- Inserte el zócalo en la ranura sobre la Tapa de Acceso Frontal, rotando el mismo hacia usted.
- Presione la parte inferior del zócalo hacia el producto y deslice el mismo hasta su posición.



PASO 10 PREPARACIÓN DE LA UNIDAD INTERNA

- Retire toda la cinta, cartón y gomaespuma de cada unidad (los soportes de la gomaespuma del embalaje podrán estar ubicados detrás de los laterales izquierdo y derecho de los frentes de los paneles de vidrio en los modelos de refrigerador).
- Retire de los estantes los cestos de puertas en cajas.
- Retire de la caja e instale los cestos de puerta.
- Instale los tapetes de los cestos de puerta.

PASO 11 INICIE LA MÁQUINA DE HIELOS (modelos con freezer)

⚠ PRECAUCIÓN

Para minimizar el riesgo de lesiones personales, evite el contacto con las partes móviles del mecanismo eyector o con el elemento de calefacción que libera los cubos. No coloque los dedos ni las manos en el mecanismo de la máquina de hielo automática mientras el electrodoméstico se encuentre enchufado.

Puede llevar entre 12 y 24 horas que un freezer recién instalado comience a fabricar hielo.

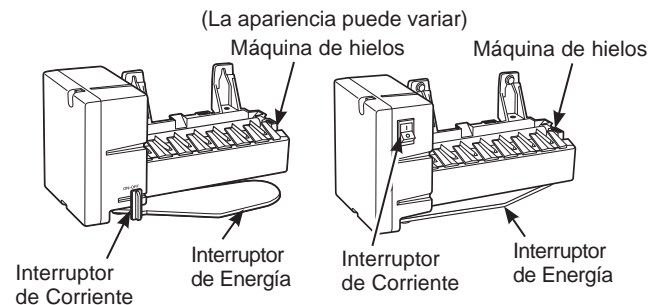
La máquina de hielos producirá siete cubos por ciclo - aproximadamente 15 ciclos en un período de 24 horas - dependiendo de la temperatura del compartimiento del freezer, la temperatura ambiente, la cantidad de veces que se abra la puerta y otras condiciones de uso.

Si el freezer se utiliza antes de realizar la conexión del agua a la máquina de hielos, configure la máquina de hielos en **OFF** (Apagado). La canasta del cable superior deberá ser retirada para acceder al interruptor de corriente de la máquina de hielos.

Cuando el refrigerador haya sido conectado al suministro de agua, ajuste el interruptor de corriente en la posición **ON** (Encendido).

Descarte la primera cubitera de hielo para permitir que el suministro de agua se limpie.

Asegúrese de que nada interfiera con la extensión del interruptor de energía.



Cuando la cubitera se llene hasta el nivel del interruptor de energía, la máquina de hielos dejará de producir hielo.

Es normal que varios de los cubos queden juntos.

Si el hielo no se usa con frecuencia, los cubos de hielo viejos se volverán turbios, con sabor rancio y su tamaño se reducirá.

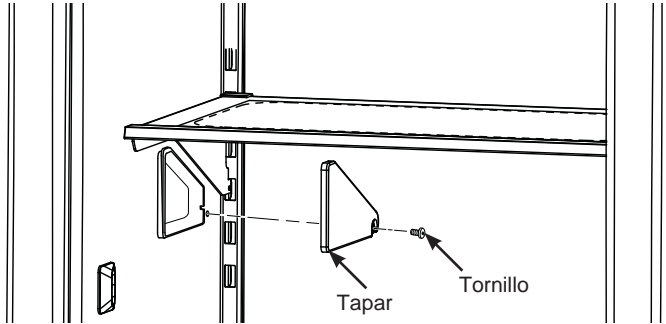
NOTA: La máquina de hielos funciona mejor con una presión hogareña de agua de entre 40 y 120 PSI (275-827 kPa).

Instrucciones de Instalación - Instalación Integrada Simple

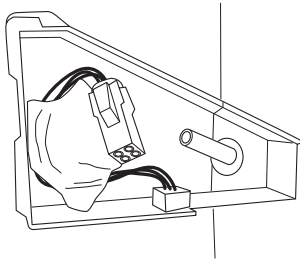
PASO 12 INSTALE EL ENSAMBLE DE LA JARRA DE LLENADO AUTOMÁTICO

(Algunos Modelos con Refrigerador)

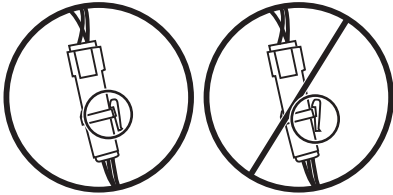
- Ubique la tapa de la jarra de llenado automático del lado izquierdo del interior del refrigerador. Retire el tornillo Torx T20 que sostiene la tapa en su posición hacia la parte trasera de la tapa. Retenga este tornillo para adherir el ensamble del llenado automático.



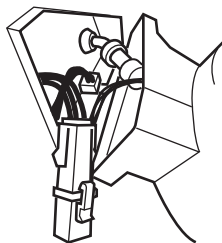
- Deslice la tapa hacia adelante para retirar la misma. Esto revela un conector eléctrico y un tubo de agua.



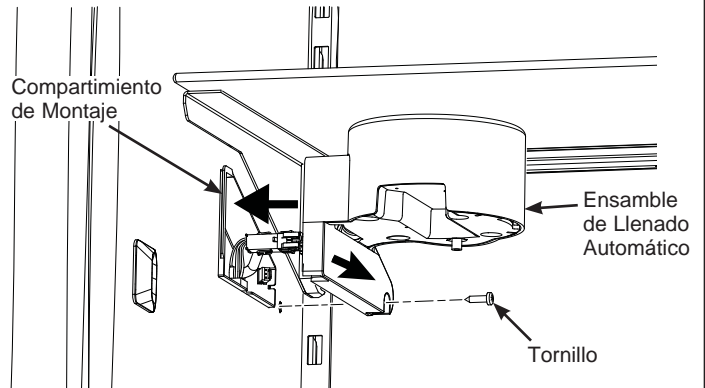
- Retire el ensamble de llenado automático de la caja. Conecte el conector de 4 pernos del ensamble de llenado automático al conector de la pared del compartimiento.



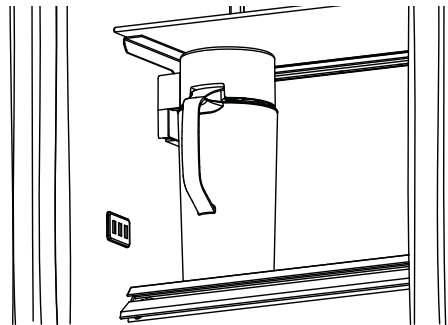
- Asegúrese de que la lengüeta de bloque del conector esté completamente adherida.
- Conecte el accesorio de la tubería de agua desde el ensamble de llenado automático a la tubería de agua ubicada en el compartimiento. Asegúrese de que la tubería de agua esté firmemente conectada y que no se desajuste con facilidad. La tubería de agua deberá estar insertada en la marca de la tubería.



- Oculte los cables y la tubería dentro del compartimiento de la pared y coloque el ensamble de pared de llenado automático en el extremo delantero del montaje, hasta que esté nivelado con la pared interior del refrigerador. Deslice el ensamble hacia la pared trasera hasta que el agujero del tornillo de montaje esté visible.



- Asegure el ensamble de llenado automático con el tornillo Torx T20 retirado previamente.
- Asegúrese de que el suministro de agua esté conectado al refrigerador antes de avanzar con el procedimiento.
- Alinee la tapa de la jarra con la guía del dispensador y deslice la jarra hacia la parte trasera del refrigerador hasta que se detenga. Es posible que haya un tiempo de respuesta de hasta 5 segundos hasta que el agua comience a llenar la jarra.



- El agua llenará la jarra hasta que alcance un nivel específico y luego se cerrará. Es normal que el nivel del agua se encuentre por debajo de la parte superior de la jarra.

NOTA: Luego de instalar la jarra de llenado automático, deje correr 2 galones de agua (aproximadamente 5 jarras llenas) a través del dispensador de llenado automático para retirar el aire del sistema. Un cartucho del filtro instalado de forma reciente hará que el agua chorree y gotee hasta que el aire se encuentre fuera del sistema. Es normal que el agua se vea descolorida durante el flujo inicial del sistema. El color del agua regresará a su estado normal luego de unos pocos minutos de comenzar a dispensar. Lave la jarra de llenado automático y la tapa luego de la depuración inicial antes del uso.

NOTA: No coloque la jarra en la guía del dispensador antes de que se realice la conexión del agua al refrigerador.

Instalación del Panel de la Puerta de Acero Inoxidable

**Este paso puede ser realizado para todos los tipos
de instalación.**

Instrucciones de Instalación – Panel de la Puerta de Acero Inoxidable

Los Kits de Paneles de Puertas de Acero Inoxidable están disponibles con manijas Euro y Pro.

ZK1SN189NLH	Panel de la Puerta de Acero Inoxidable del Lado Izquierdo de 18"
ZK1SN184NRH	Panel de la Puerta de Acero Inoxidable del Lado Derecho de 18"
ZK1SN249NLH	Panel de la Puerta de Acero Inoxidable del Lado Izquierdo de 24"
ZK1SN244NRH	Panel de la Puerta de Acero Inoxidable del Lado Derecho de 24"
ZK1SN309NLH	Panel de la Puerta de Acero Inoxidable del Lado Izquierdo de 30"
ZK1SN304NRH	Panel de la Puerta de Acero Inoxidable del Lado Derecho de 30"
ZKSP1H1CNSS	Manija Minimalista para Paneles de Acero Inoxidable Únicamente
ZKSP1H1PNSS	Manija Statement para Paneles de Acero Inoxidable Únicamente

El panel de acero inoxidable está completamente ensamblado con soportes y manija ya instaladas como puerta con apertura del lado izquierdo o derecho. Los kits de puerta con apertura del lado izquierdo pueden ser modificados para adecuarse a unidades con apertura del lado derecho, y los kits de puertas con apertura del lado derecho pueden ser modificados para adecuarse a unidades con apertura del lado izquierdo.

Deje la película protectora sobre la puerta hasta que la instalación sea completada.

⚠ ADVERTENCIA



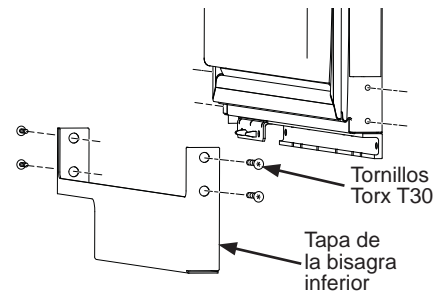
Riesgo de

Lastimadura con el Borde de la Puerta

Una instalación inadecuada puede conducir a riesgos de pellizcos de dedos entre el borde lateral de la puerta y los gabinetes al utilizar la puerta, especialmente con los niños. A fin de minimizar este riesgo, usted deberá seguir las instrucciones de instalación para dimensiones de gabinetes, ensambles de bordes y ángulos de detención de puertas.

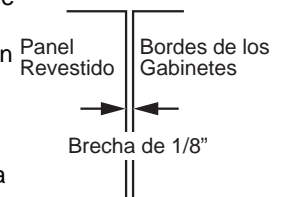
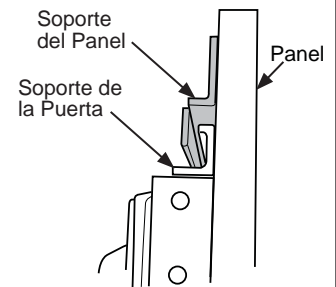
PASO 1 INSTALE EL PANEL DE ACERO INOXIDABLE

- Retire la tapa de la bisagra inferior y conserve los 4



tornillos Torx T30 para la instalación posterior.

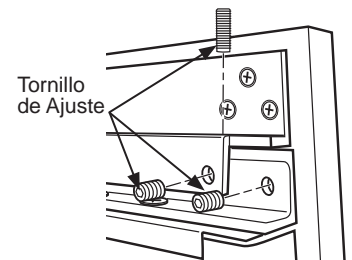
- Abra la puerta a 90°. Deslice el panel sobre la puerta con los soportes del panel conectándose en la parte superior e inferior con los soportes de la puerta (asegúrese de no deslizar el panel sobre el borde del gabinete). Centre el panel en la puerta, y luego lentamente cierre la puerta mientras se asegura de que el panel no tenga contacto con el borde del gabinete.



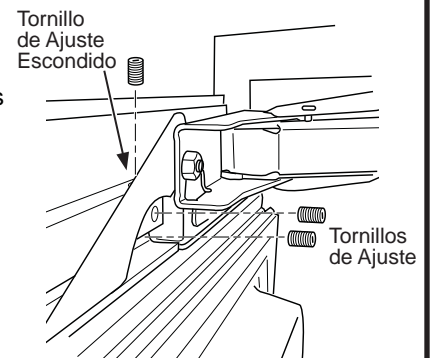
- Con la puerta completamente cerrada, cuidadosamente deslice el panel hacia los gabinetes con la brecha establecida de 1/8".

PASO 2 AJUSTE EL PANEL DE ACERO INOXIDABLE

- Los ajustes de puerta serán realizados con los 12 tornillos de ajuste provistos. Cada esquina de la puerta deberá usar 3 tornillos de ajuste. Use una llave Allen de 1/8" para instalar los tornillos de ajuste en el orden especificado.



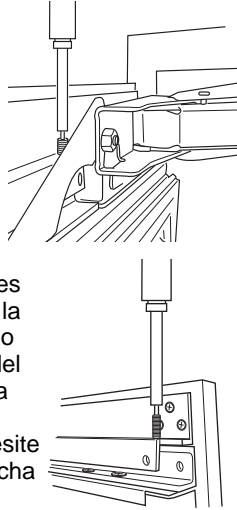
- Los tornillos de ajuste detrás de los soportes superior e inferior están parcialmente escondidos.



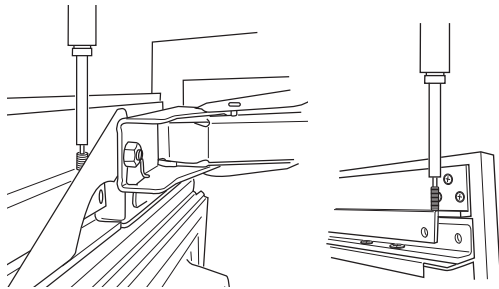
Installation Instructions - Stainless Door Panel

PASO 2 AJUSTE EL PANEL DE ACERO INOXIDABLE (Cont.)

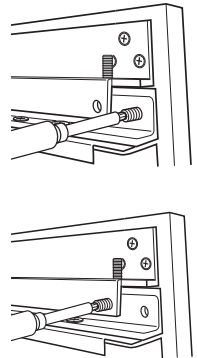
- Siga los siguientes pasos para la instalación del tornillo de ajuste.
- Para un montaje nivelado, inspeccione la brecha entre el panel y los gabinetes del lado de la manija.
 - Si la brecha vertical entre los gabinetes es menor en la parte superior que en la parte inferior, inserte y ajuste el tornillo vertical en el soporte superior cerca del lado de la bisagra, hasta que la brecha sea equivalente a lo largo de toda la sección vertical. (Es posible que necesite deslizar el panel para realinear la brecha lateral a 1/8").
 - Si la brecha vertical entre los gabinetes es mayor en la parte superior que en la parte inferior, inserte y ajuste el tornillo vertical en el soporte superior cerca del lado de la manija, hasta que la brecha sea equivalente a lo largo de toda la sección vertical. (Es posible que necesite deslizar el panel para realinear la brecha lateral a 1/8").



Ubicaciones de los tornillos de ajuste verticales.

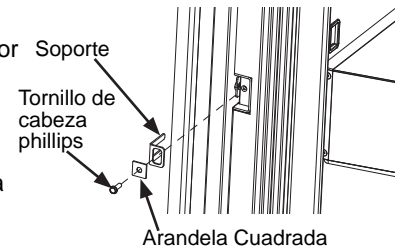


- Inspeccione la alineación en la parte superior del panel. Los ajustes podrán ser realizados girando los tornillos de ajuste verticales, de forma equivalente, en la parte superior del soporte del panel (2 tornillos de ajuste por panel).
- Si los paneles no se aplastan, podrán ser ajustados. Comience por ajustar las esquinas superiores y luego pasando a las esquinas inferiores. Cada esquina puede ser ajustada de forma independiente.
- Si el panel es demasiado profundo dentro de los gabinetes, entonces deberá ser retirado de la unidad. Instale los tornillos horizontales más alejados en las 4 esquinas y atornille hasta que el panel quede posicionado.
- Si el panel es demasiado profundo dentro de los gabinetes que están alrededor, entonces deberá ser movido hacia la unidad. Instale los tornillos horizontales más cercanos en las 4 esquinas y atornille hasta que el panel quede posicionado.



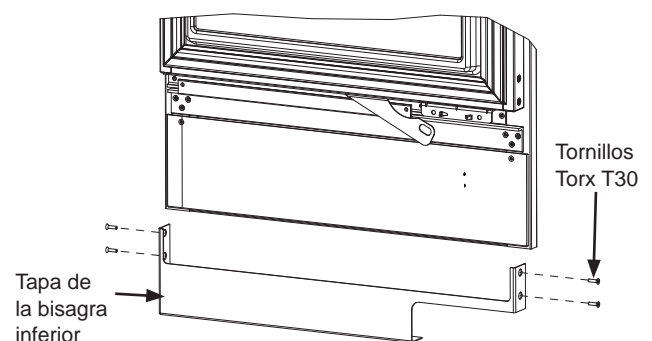
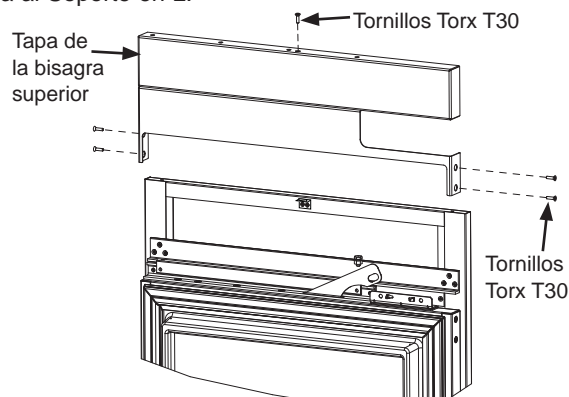
Una vez ajustado el panel en la posición deseada, asegure el mismo primero atornillando y ajustando los tornillos verticales en la parte inferior de los soportes de la puerta y luego atornillando y ajustando los tornillos horizontales restantes. **LOS 12 TORNILLOS DE AJUSTE** deberán ser atornillados y ajustados de manera firme, a fin de asegurar el panel apropiadamente.

- Una vez asegurados los soportes superior e inferior del panel de la puerta, instalando/ ajustando los 12 tornillos de ajuste, use los cuatro tornillos hexagonales de 1/4" y una arandela cuadrada para asegurar los soportes de montaje central.



PASO 3 INSTALE LAS TAPAS DE LAS BISAGRAS

- Reemplace las tapas de las bisagras superior e inferior usando los 4 tornillos T30 por tapa.
- Utilizando un tornillo T10, asegure la parte superior de la tapa al Soporte en L.



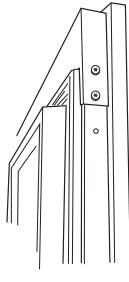
Installation Instructions - Stainless Door Panel

PASO 4 INSTALE LOS BORDES DE LAS PUERTAS

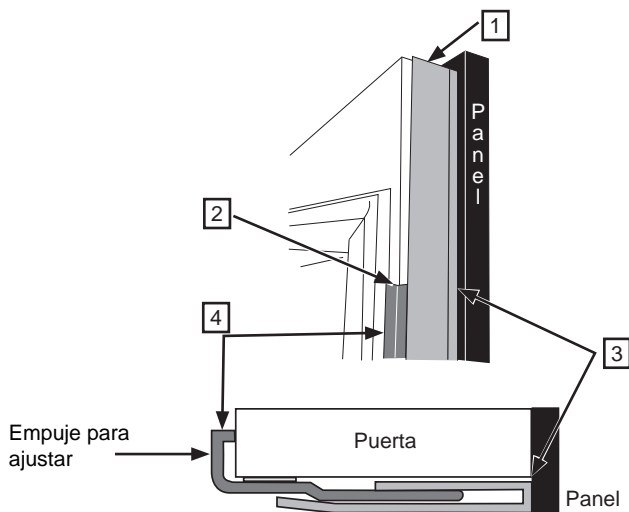
Hay 2 bordes de puerta para instalar. Uno para el lado de la manija y uno para el lado de la bisagra. El borde largo es para el lado de la manija y el borde corto es para el lado de la bisagra. Instale el borde del lado de la manija primero.

- Limpie el lateral de la puerta, incluyendo el lateral de las tapas de bisagras superior e inferior con alcohol desinfectante para mejorar la adhesión de los bordes.

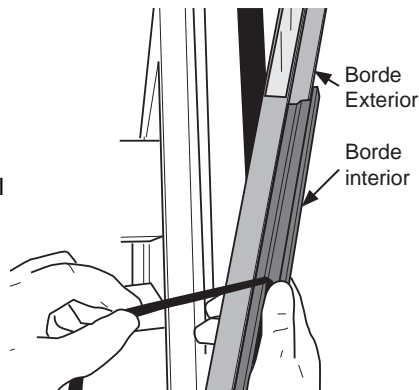
- El borde lateral está conformado por un borde exterior y un borde interior. Los ajustes deberán ser realizados antes de la adhesión al lateral de la puerta. Sin retirar el apoyo de las cuerdas de cinta, pruebe si el borde cabe en el lateral de la puerta.



1. Alinee la parte superior del borde externo a la parte superior del panel de la puerta.
2. El borde interior deberá caber entre las tapas de las bisagras superior e inferior.
3. Asegúrese de que el borde exterior se está colocando de forma nivelada contra la parte trasera del panel de la puerta.
4. Ajuste el borde interior hasta que esté nivelado contra la parte trasera de la puerta, empujando sobre el borde exterior.

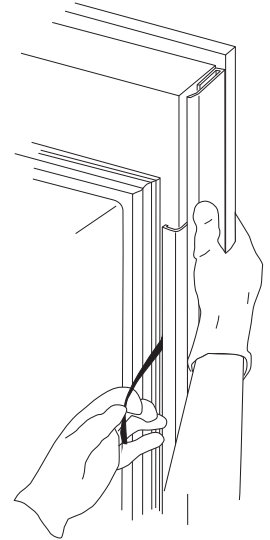


- Una vez completada la prueba de posición, retire el borde y pele entre 8" y 10" de la base de la parte superior de la cinta del borde interior.



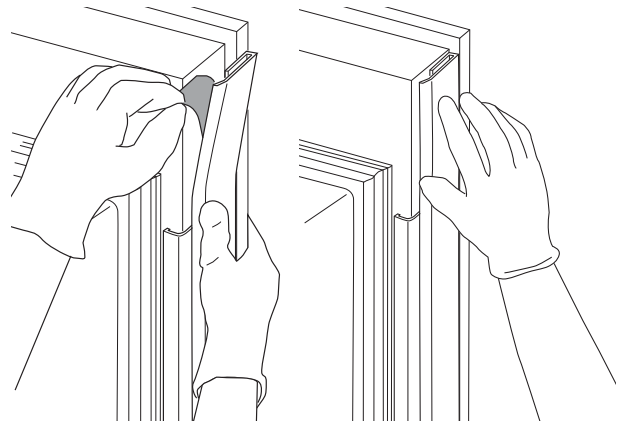
- Sin tocar la cinta expuesta al costado de la puerta, alinee la parte superior del borde con la parte superior del panel de la puerta. (la base de la cinta deberá sobresalir al alinear el borde).

- Una vez que el borde está en su ubicación (alineado con la parte superior de la puerta, con las tapas de las bisagras, ajustado a la puerta y al panel de la puerta), entonces presione el área de la cinta expuesta para que quede asegurada. Lentamente comience a pelar la base de la cinta y a presionar para adherir la cinta, mientras mantiene el borde en su posición hasta haber retirado completamente la base de la cinta.



- Asegure las porciones superior e inferior del borde exterior luego de que el borde interior haya sido asegurado.

1. De forma suave, retire la parte superior del borde exterior del panel de la puerta, a fin de exponer la base de la cinta. No lo incline demasiado lejos de la puerta o se podrá dañar el borde.
2. Pele la base de la cinta del borde exterior y presione para asegurar el borde.
3. Repita esto para la parte inferior del borde externo.



- Una vez que el borde de la puerta del lado de la manija esté en su posición, repita los mismos pasos con el borde de la puerta del lado de bisagra.

Instalación del Panel a Medida de la Puerta Revestida

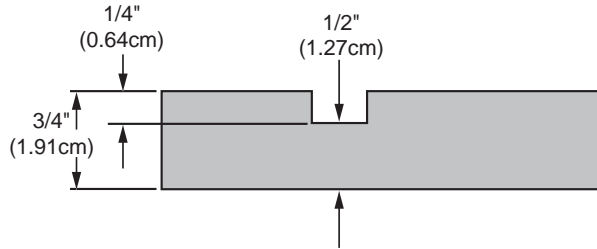
Este paso puede ser realizado para todos los tipos de instalación.

Guía de Diseño – Panel a Medida de la Puerta Revestida

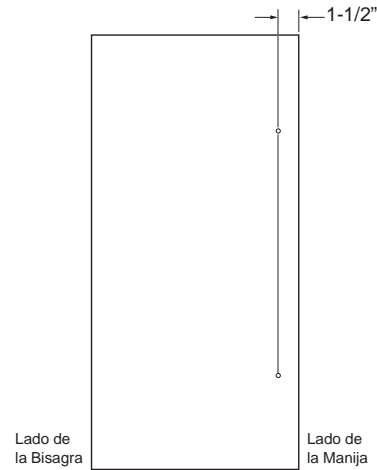
GUÍA DE DISEÑO DE LA MANIJA A MEDIDA

Las manijas a medida deben ser usadas para instalaciones niveladas. Para la instalación de la manija a medida, los agujeros taladrados en la parte trasera de los paneles decorativos deberán asegurar que el grosor del material de $\frac{1}{2}$ " (1.27 cm) permanezca para el soporte de la manija.

NOTA: El agujero taladrado no deberá superar 1" (2.53 cm) de diámetro.



La distancia mínima desde el extremo lateral del panel hasta el centro de la manija deberá ser de $1\frac{1}{2}$ " (3.81 cm) como se muestra.



DIMENSIONES DEL PANEL DECORATIVO A MEDIDA DE $\frac{3}{4}$ "

Para una apariencia más a medida, los paneles revestidos podrán ser instalados para dar un aspecto nivelado con los gabinetes que se encuentran alrededor. El panel revestido deberá poseer un grosor de $\frac{3}{4}$ " (1.91 cm). El panel se adhiere a los soportes incluidos para brindar el montaje a la puerta del electrodoméstico

NOTA: Recomendamos que los paneles decorativos posean esquinas internas y extremos redondeados o biselados por el fabricante de gabinetes, a fin de evitar extremos puntiagudos en los paneles. Los extremos a ser tratados deberán incluir el extremo superior, el inferior y los laterales de las bisagras.

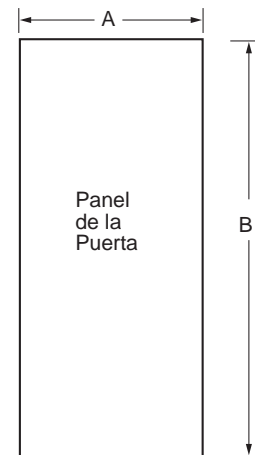
NOTA IMPORTANTE: El peso máximo del panel es de 45 libras.

NOTA: Para paneles contruidos con rieles y montantes (5 paneles), los rieles y montantes deberán poseer un ancho mínimo de 2" (5.08 cm).

Para Kits de Paneles de Acero Inoxidable, consulte sobre la instalación del Panel de Puertas de Acero Inoxidable de la página 45.

Para Paneles a Medida, use las plantillas provistas con las unidades para agujeros preperforados para los soportes del panel de montaje (provistos con la unidad). Se proveen los tornillos de ajuste y las instrucciones.

IMPORTANTE: Las dimensiones del ancho del panel de la puerta decorativa a medida son diferentes para instalaciones de modelos simples y de modelos duales.



Dimensión del Panel	Modelos de 18"	Modelos de 24"	Modelos de 30"
A	17-9/16" (44.61cm)	23-9/16" (59.85cm)	29-9/16" (75.09)
B	79-7/8" (202.88cm)	79-7/8" (202.88cm)	79-7/8" (202.88cm)

⚠ ADVERTENCIA



Riesgo de

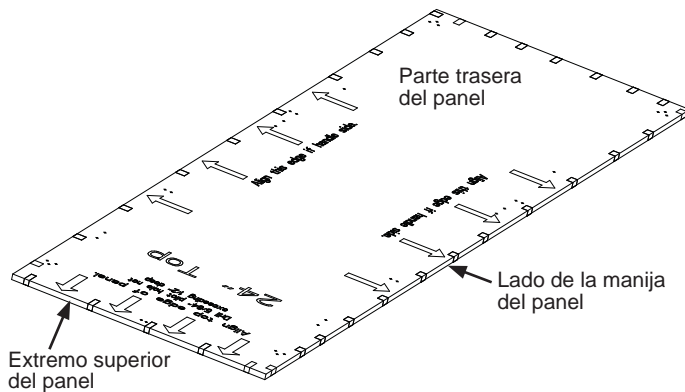
Lastimadura con el Borde de la Puerta

Una instalación inadecuada puede conducir a riesgos de pellizcos de dedos entre el borde lateral de la puerta y los gabinetes al utilizar la puerta, especialmente con los niños. A fin de minimizar este riesgo, usted deberá seguir las instrucciones de instalación para dimensiones de gabinetes, ensamblajes de bordes y ángulos de detención de puertas.

Instrucciones de Instalación - Panel de la Puerta a Medida Revestida

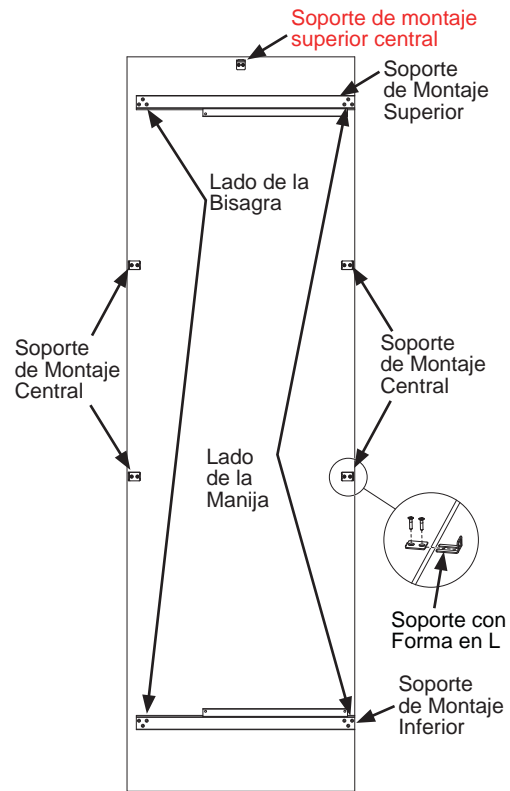
PASO 1 PREPARACIÓN DEL PANEL REVESTIDO

- Verifique que las dimensiones totales del panel coincidan con las recomendaciones provistas en base al modelo e inspeccione cualquier daño inicial.
- Apoye la plantilla en la parte TRASERA del panel, asegurándose de alinear el extremo superior del panel (línea negra) de la plantilla con el extremo superior del panel. Los extremos laterales de la plantilla deberán estar alineados con el lado de la manija del panel. Asegure la plantilla al panel, de modo que no se mueva al marcar las ubicaciones de los agujeros. Se recomienda el uso de cinta adhesiva para asegurar la plantilla y asegurar que no esté arrugada y que quede pareja contra el panel

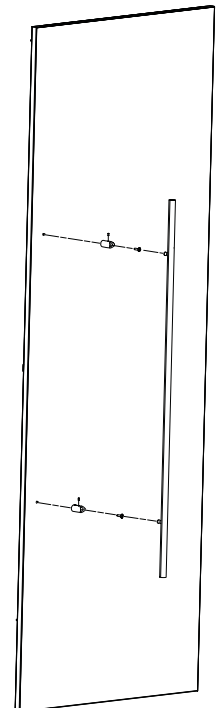


- Marque las ubicaciones de los agujeros dando golpecitos leves en el centro de las marcas de los agujeros con un punzón, a fin de transferir las marcas al panel. Es esencial que la plantilla no se mueva, de inicio a fin, al marcar las ubicaciones de los agujeros sobre el panel.
- Haga agujeros piloto con una broca de 5/64", asegurándose de que la perforación no supere 1/2" de profundidad.
- Instale los soportes de montaje superior e inferior provistos con los Tornillos de Cabeza Phillips Nº 6 (12). Asegúrese de que el extremo del recorte del soporte esté del lado de la bisagra, de acuerdo con la figura siguiente. También asegúrese de que las lengüetas sobre los soportes estén mirando hacia el otro soporte, como se muestra. Los tornillos deberán estar ajustados y nivelados con los soportes. No ajuste los tornillos en exceso.

- Instale el soporte de montaje central con los 2 tornillos de cabeza Phillips nº 6.
- Instale el soporte de montaje superior central y asegure el mismo con 2 tornillos Phillips nº 6.



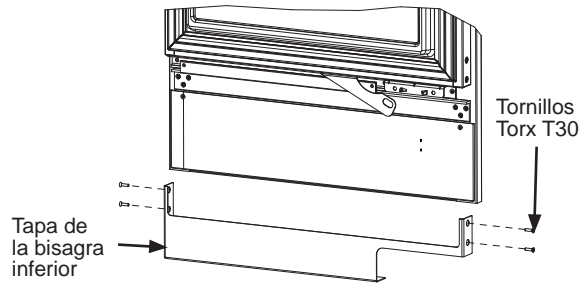
- Retire el soporte con forma en L y deje el mismo a un costado. Éste será reemplazado luego de la instalación del panel de madera del ensamble de la puerta.
- Instale la manija (si corresponde) asegurándose de que todos los materiales se monten debajo de la superficie trasera del panel.



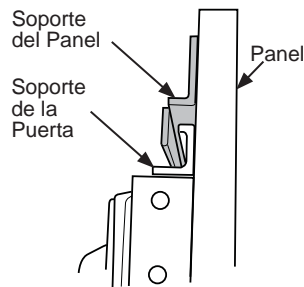
Instrucciones de Instalación - Panel de la Puerta a Medida Revestida

PASO 2 INSTALE EL PANEL REVESTIDO

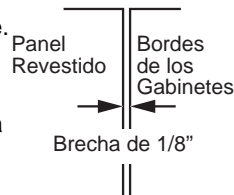
- Retire la tapa de la bisagra inferior y conserve los 4 tornillos Torx T30 para la instalación posterior.



- Puerta abierta a 90°. Deslice el panel sobre la puerta con los soportes del panel conectándose en la parte superior e inferior con los soportes de la puerta (asegúrese de no deslizar el panel sobre el borde del gabinete). Centre el panel en la puerta, y luego lentamente cierre la puerta mientras se asegura de que el panel no tenga contacto con el borde del gabinete.

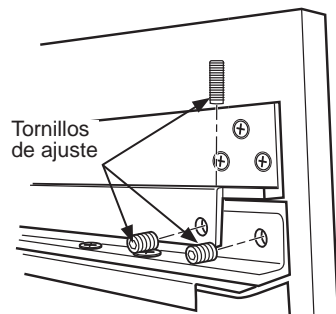


- Con la puerta completamente cerrada, cuidadosamente deslice el panel hacia los gabinetes con la brecha establecida de 1/8".

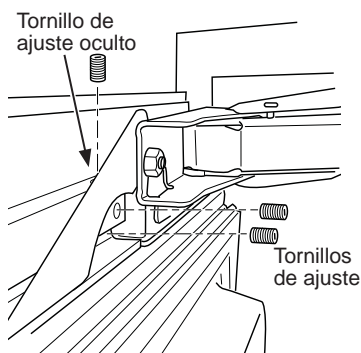


PASO 3 AJUSTE EL PANEL REVESTIDO

- Los ajustes de puerta serán realizados con los 12 tornillos de ajuste provistos. Cada esquina de la puerta deberá usar 3 tornillos de ajuste. Use una llave Allen de 1/8" para instalar los tornillos de ajuste en el orden especificado.

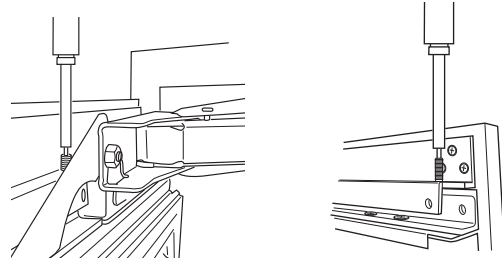


- Los tornillos de ajuste detrás de los soportes superior e inferior están parcialmente escondidos.



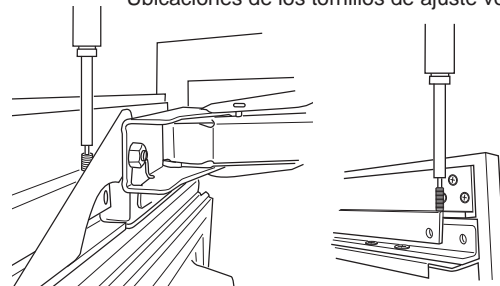
PASO 3 AJUSTE EL PANEL REVESTIDO (Cont.)

- Siga los siguientes pasos para la instalación del tornillo de ajuste.
- Para un montaje nivelado, inspeccione la brecha entre el panel y los gabinetes del lado de la manija.
 - Si la brecha en la parte superior es demasiado grande o desigual, use los tornillos ubicados en el soporte superior para ajustar la brecha, hasta que ésta se iguale a lo largo de toda la sección vertical.



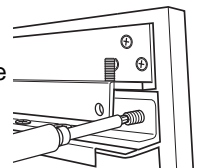
- Inspeccione la alineación en la parte superior del panel. Los ajustes podrán ser realizados girando los tornillos de ajuste verticales, de forma equivalente, en la parte superior del soporte del panel (2 tornillos de ajuste por panel).

Ubicaciones de los tornillos de ajuste verticales.

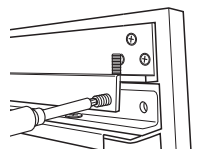


- Si los paneles no se aplastan, podrán ser ajustados. Comience por ajustar las esquinas superiores y luego pasando a las esquinas inferiores. Cada esquina puede ser ajustada de forma independiente.

- Si el panel sobresale demasiado en relación a los gabinetes, entonces deberá ser retirado de la unidad. Instale los tornillos horizontales más alejados en las 4 esquinas y atornille hasta que el panel quede posicionado.



- Si el panel sobresale demasiado en relación a los gabinetes que están alrededor, entonces deberá ser movido hacia la unidad. Instale los tornillos horizontales más cercanos en las 4 esquinas y atornille hasta que el panel quede posicionado.

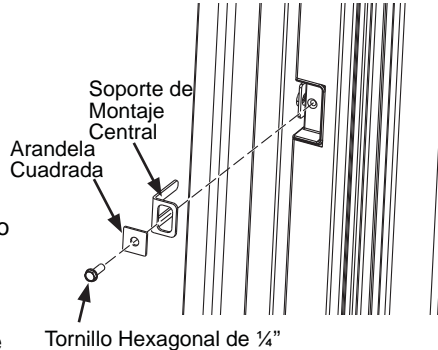


Instrucciones de Instalación - Panel de la Puerta a Medida Revestida

PASO 3 AJUSTE EL PANEL REVESTIDO (Cont.)

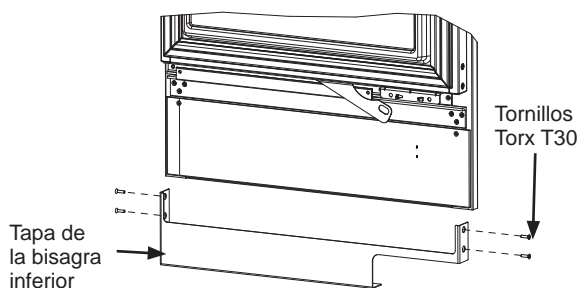
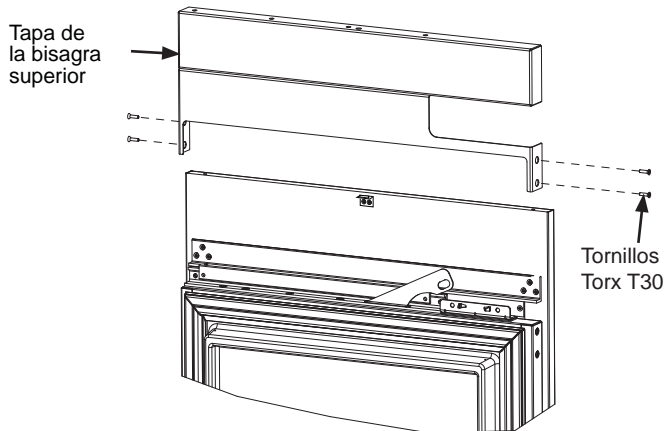
Una vez ajustado el panel en la posición deseada, asegure el mismo primero atornillando y ajustando los tornillos verticales en la parte inferior de los soportes de la puerta y luego atornillando y ajustando los tornillos horizontales restantes. LOS 12 TORNILLOS DE AJUSTE deberán ser atornillados y ajustados de manera firme, a fin de asegurar el panel apropiadamente.

- Una vez asegurados los soportes superior e inferior del panel de la puerta, instalando/ajustando los 12 tornillos de ajuste, use un tornillo Hi-Lo de cabeza Phillips y una arandela cuadrada para asegurar el soporte de montaje central.



PASO 4 INSTALE LAS TAPAS DE LAS BISAGRAS

- Reemplace las tapas de las bisagras superior e inferior usando los 4 tornillos T30 por tapa.

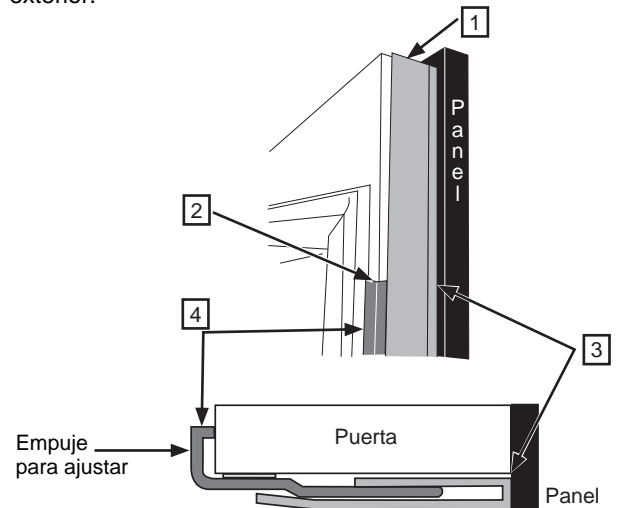
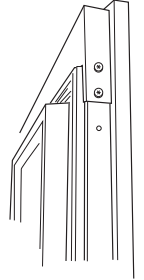


PASO 5 INSTALE LOS BORDES DE LAS PUERTAS

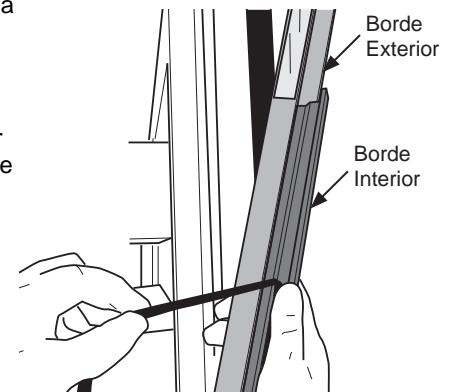
Hay 2 bordes de puerta para instalar. Uno para el lado de la manija y uno para el lado de la bisagra. El borde largo es para el lado de la manija y el borde corto es para el lado de la bisagra. Instale el borde del lado de la manija primero.

- Limpie el lateral de la puerta, incluyendo el lateral de las tapas de las bisagras superior e inferior con alcohol desinfectante para mejorar la adhesión de los bordes.
- El borde lateral está conformado por un borde exterior y un borde inferior. Los ajustes deberán ser realizados antes de la adhesión al lateral de la puerta. Sin retirar el apoyo de las cuerdas de cinta, pruebe si el borde cabe en el lateral de la puerta

1. Alinee la parte superior del borde exterior a la parte superior del panel de la puerta.
2. El borde interior deberá caber entre las tapas de las bisagras superior e inferior.
3. Asegúrese de que el borde exterior se está colocando de forma nivelada contra la parte trasera del panel de la puerta.
4. Ajuste el borde interior hasta que esté nivelado contra la parte trasera de la puerta, empujando sobre el borde exterior.



- Una vez completada la prueba de posición, retire el borde y pele entre 8" y 10" de la base de la parte superior de la cinta del borde interior.



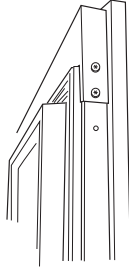
Instrucciones de Instalación - Panel de la Puerta a Medida Revestida

PASO 5 INSTALE LOS BORDES DE LAS PUERTAS

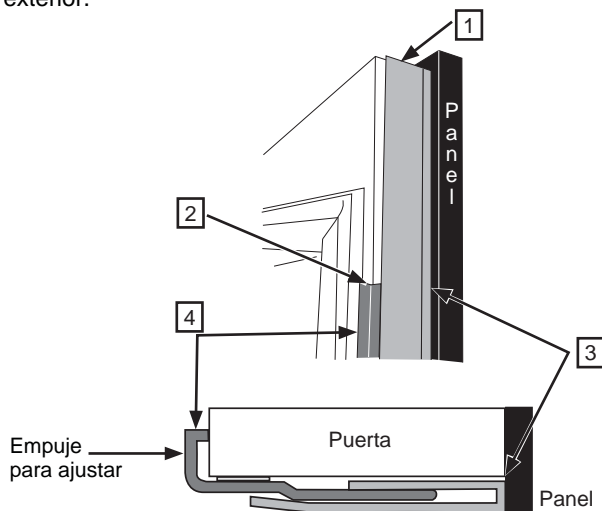
Hay 2 bordes de puerta para instalar. Uno para el lado de la manija y uno para el lado de la bisagra. El borde largo es para el lado de la manija y el borde corto es para el lado de la bisagra. Instale el borde del lado de la manija primero.

- Limpie el lateral de la puerta, incluyendo el lateral de las tapas de las bisagras superior e inferior con alcohol desinfectante para mejorar la adhesión de los bordes.

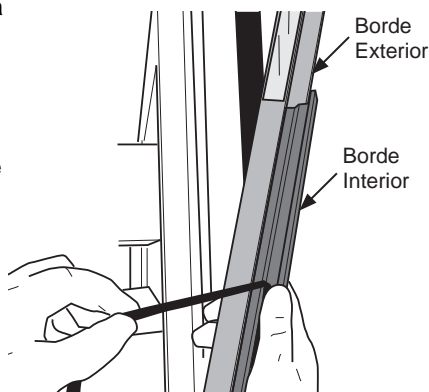
- El borde lateral está conformado por un borde exterior y un borde inferior. Los ajustes deberán ser realizados antes de la adhesión al lateral de la puerta. Sin retirar el apoyo de las cuerdas de cinta, pruebe si el borde cabe en el lateral de la puerta



1. Alinee la parte superior del borde exterior a la parte superior del panel de la puerta.
2. El borde interior deberá caber entre las tapas de las bisagras superior e inferior.
3. Asegúrese de que el borde exterior se está colocando de forma nivelada contra la parte trasera del panel de la puerta.
4. Ajuste el borde interior hasta que esté nivelado contra la parte trasera de la puerta, empujando sobre el borde exterior.



- Una vez completada la prueba de posición, retire el borde y pele entre 8" y 10" de la base de la parte superior de la cinta del borde interior.



Notas

Notas

Notas

NOTA: Al realizar las instalaciones descritas en este libro, se deberán usar anteojos o gafas de seguridad.

NOTA: Monogram se esfuerza de forma constante para mejorar sus productos. Por lo tanto, los materiales, el aspecto y las especificaciones están sujetos a cambios sin aviso previo.



MONOGRAM