

ZV925SL

GE Monogram® 36" Glass Canopy Island Hood

Dimensions and Installation Information (in inches)

This vent hood may be vented to the outdoors or it can be installed for recirculating operation. All necessary parts for recirculating operation are supplied with the hood. No kits required. Must use an 8" round duct.

A decorative duct cover is provided to cover the duct from the top of the hood to a 7'11" to 9 ft. ceiling.

Accessories:

An optional stainless steel duct cover is available for 9'1" to 10'1" ceiling heights. Order ZX92510 optional duct cover at the same time as the vent hood and have on site before installation.

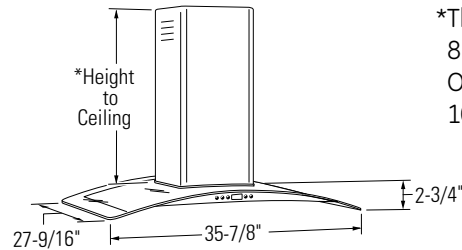
Dimensions and Clearances:

The vent hood should be installed 24" min. and 30" max. above the cooking surface, dependent on the ceiling height. The cooking surface should be at least 36" above the floor. Installation will be easier if the vent hood is installed before the range or cooktop/countertop is installed.

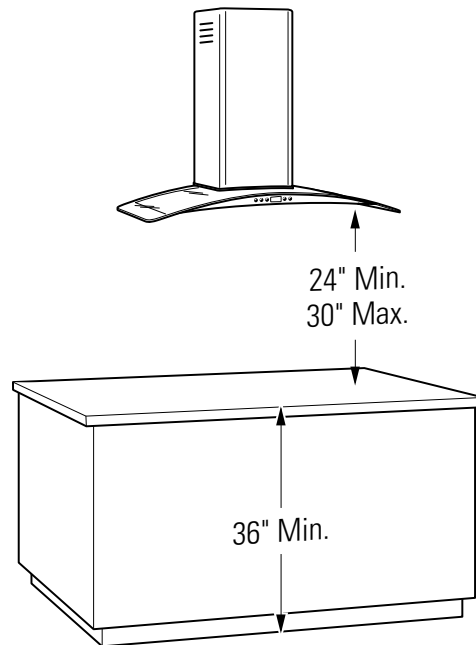
This hood can be installed over a Monogram electric or gas cooktop. It cannot be installed over a Monogram professional cooktop or range.

Installation Information: Before installing, consult installation instructions packed with product or available on monogram.com for current dimensional data.

Note: Installation height should be measured from the cooking surface to the outer glass sides.



*The supplied duct cover fits 8 ft. to 9 ft. ceiling heights. Order ZX92510 for 9'1" to 10'1" ft. ceiling heights.



The exact installation height is determined by the ceiling height and duct cover trim strips provided with the hood. For optimum performance, the hood must be installed 24" min. and 30" max. above the cooking surface.

For answers to your Monogram®, GE Profile™ or GE® appliance questions, visit our website at geappliances.com or call GE Answer Center® service, 800.626.2000.



imagination at work



Listed by
Underwriters
Laboratories

Specification Revised 6/11

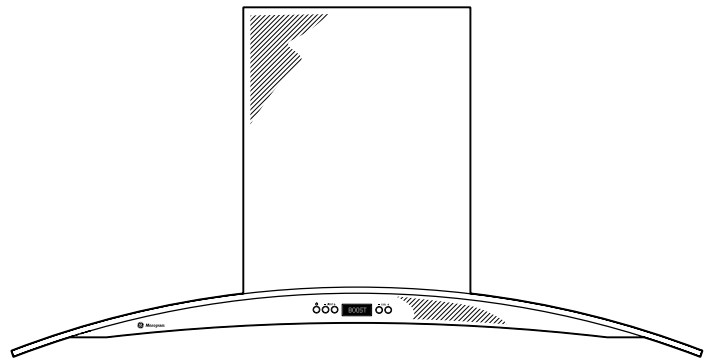
130668

ZV925SL

GE Monogram® 36" Glass Canopy Island Hood

Features and Benefits

- Sleek, Understated Appearance - Combines the durability of professional-grade stainless steel with the elegant simplicity of bowed, tempered glass
- Backlit Touch Controls and Digital Readout - Allow you to easily select and view hood functions
- Powerful Ventilation - Offers three speeds plus a 350-cfm boost to capture cooking fumes and odors
- Recirculating-Ready Design - Includes a reversible duct cover and charcoal filter for non-vented installations, eliminating the need for an optional kit
- Halogen Lighting - Provides four levels of clean, brilliant illumination to suit any cooking task
- Removable Stainless Steel Filter - Detaches easily for safe cleaning in your dishwasher
- Model ZV925SLSS - Glass Canopy/Stainless steel



imagination at work